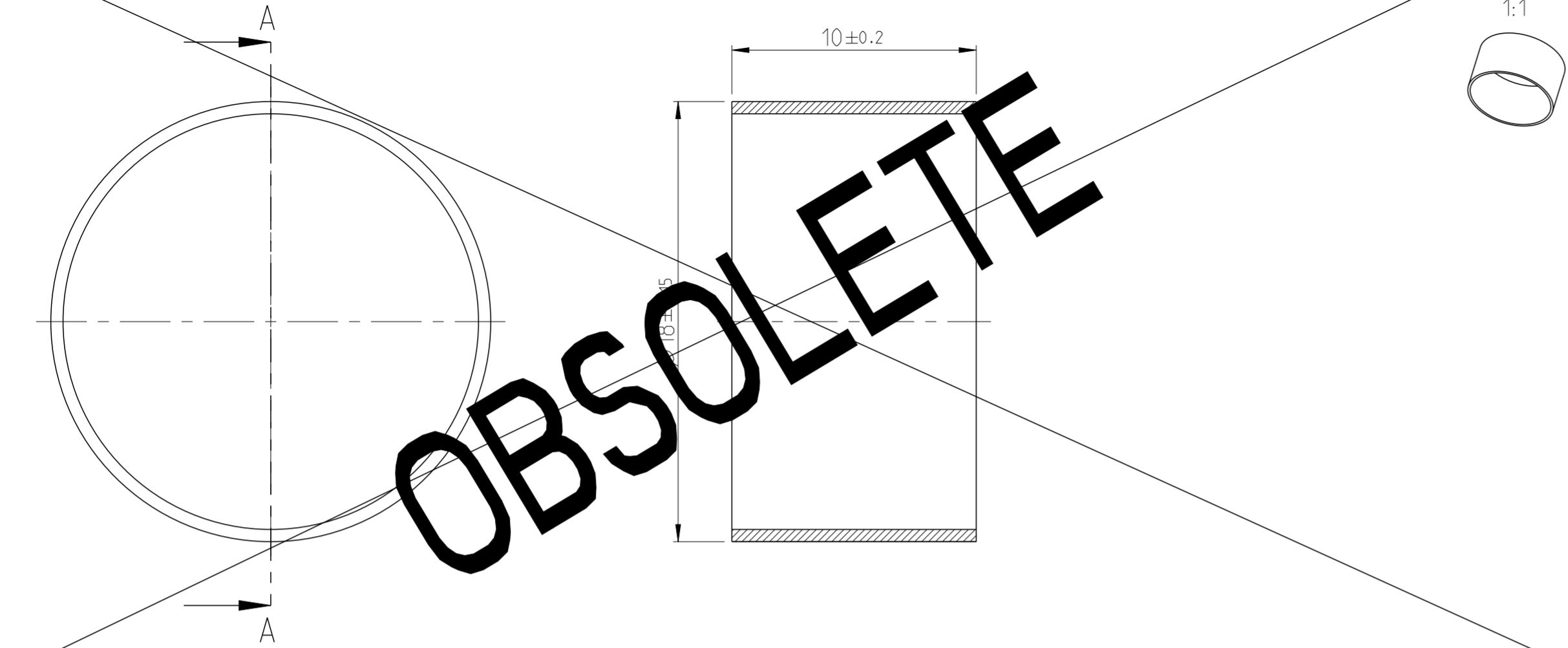
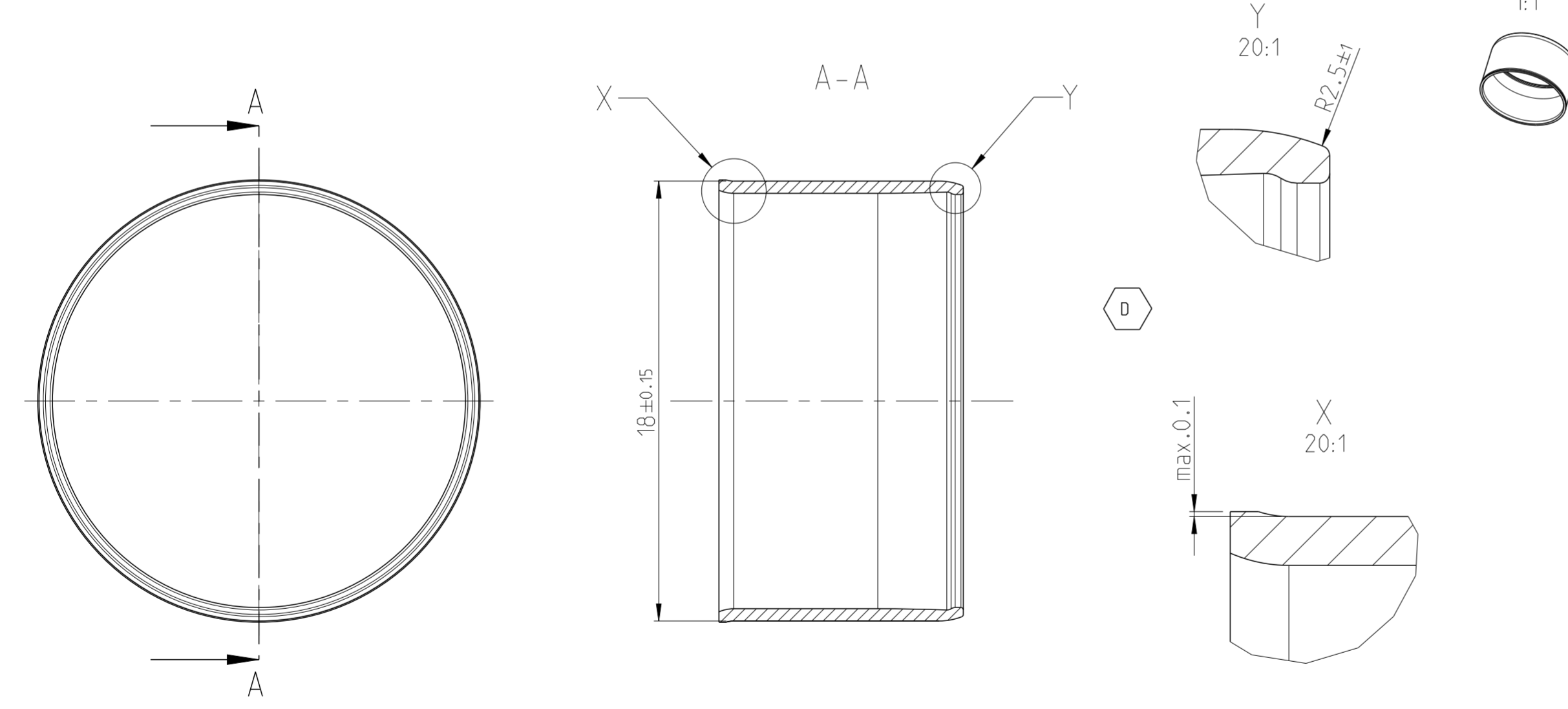


THIS DRAWING IS UNPUBLISHED. RELEASED FOR PUBLICATION 2017
 © COPYRIGHT 2017 TE Connectivity Germany GmbH ALL RIGHTS RESERVED.

VERSION I



VERSION II



REVISIONS				
P	LTR	DESCRIPTION	DATE	APVD
1		NEW DRAWING	06MAY2011	TS HV
2		Drawing reworked.	26JUL2012	JTO DHV
A		Add 0-2177061-1 at drawing. Rework drawing.	10OCT2013	JTO DHV
B		Sheet 2. obsolete	14JUN2016	W SA DHV
C		ADDED VERSION II	09MAY2017	CR DHV
D		0-2177061-1 MADE OBSOLETE	05NOV2018	AHM DHV

NOTES:

Bemerkungen:

- 1 ONLY THE GERMAN LANGUAGE IS AUTHORITATIVE
Massgebend ist der deutsche Text
- 2 PACKAGING: BULK PACKAGING IN SHIPPING BOX
Verpackung: Schuettgut in Versandkarton

NOTE Bem.	FEATURE Merkmal
3	PRODUCT-SPEC. 108-94297 Produkt-Spez.
4	APPLICATION-SPEC. 114-94130 Verarbeitungs-Spez.

0-2177061-2	SHIELD CRIMP FERRULE Untercrimphuelse	STAINLESS STEEL 1.4301 Edelstahl 1.4301	2.2	BLANK blank	SERIEL-TOOL Serien-Werkzeug	II
0-2177061-1	SHIELD CRIMP FERRULE Untercrimphuelse	STAINLESS STEEL 1.4301 Edelstahl 1.4301	2.2	BLANK blank	SERIEL-TOOL Serien-Werkzeug	I
TE-ORDER-NO. TE-Bestell-Nr.	DESCRIPTION Benennung	MATERIAL	WEIGHT (G) Gewicht [g]	SURFACE Oberflaeche	TOOL	VERS.

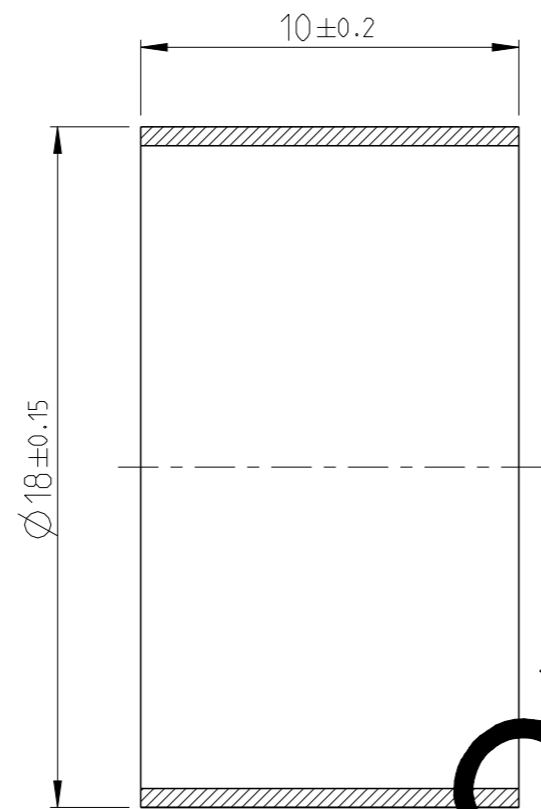
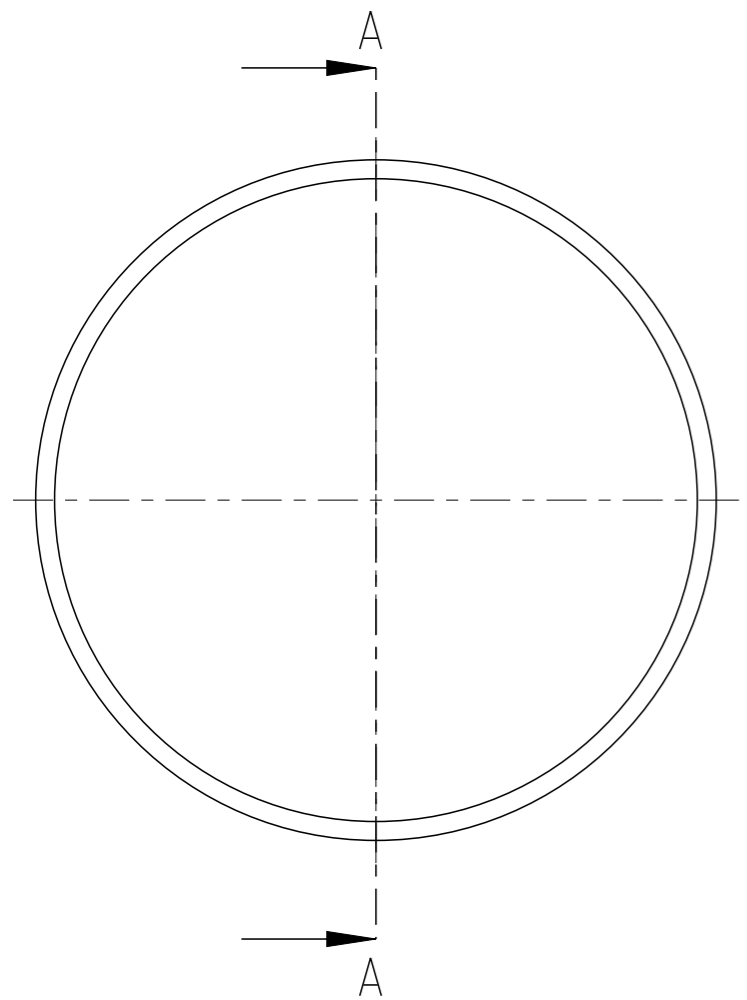
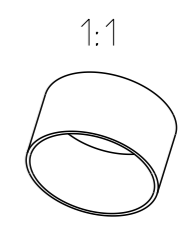
THIS DRAWING IS A CONTROLLED DOCUMENT.

DWN T.Salman	06MAY2011	 TE Connectivity
CHK U.Hoepfner	09MAY2011	
APVD D.H.Vu	09MAY2011	
NAME	SHIELD CRIMP FERRULE Untercrimphuelse	
DIMENSIONS: mm	TOLERANCES UNLESS OTHERWISE SPECIFIED: DIN ISO 2768 - mK	SIZE A2
0 PLC ±	1 PLC ±	CAGE CODE 00779
2 PLC ±	3 PLC ±	DRAWING NO. 0-2177061
4 PLC ±	ANGLES ±°	RESTRICTED TO
MATERIAL	FINISH	WEIGHT SEE TABLE A2
-	-	CUSTOMER DRAWING
-	-	SCALE 5:1
		SHEET 1 OF 2
		REV D

THIS DRAWING IS UNPUBLISHED. RELEASED FOR PUBLICATION 2011
 © COPYRIGHT 2011 Tyco Electronics AMP GmbH ALL RIGHTS RESERVED.

LOC	DIST	REVISIONS			
P	LTR	DESCRIPTION	DATE	DWN	APVD
AI	-	SEE SHEET 1	-	-	-

9-2177061-1	SHIELD CRIMP FERRULE Untercrimphuelse	STAINLESS STEEL 1.4301 Edelstahl 1.4301	2.2	BLANK blank	LOW-VOLUME-TOOL Kleinserien-Werkzeug
TE-ORDER-NO. TE-Bestell-Nr.	DESCRIPTION Benennung	MATERIAL	WEIGHT [G] Gewicht [g]	SURFACE Oberflaeche	TOOL



OBSOLETE!

- NOTES:
Bemerkungen:
- ONLY THE GERMAN LANGUAGE IS AUTHORITATIVE
Maßgebend ist der deutsche Text
 - PACKAGING: BULK PACKAGING IN SHIPPING BOX
Verpackung: Schuettgut in Versandkarton

NOTE Bem.	FEATURE Merkmal
3	PRODUCT-SPEC. 108-94297 Produkt-Spez.
4	APPLICATION-SPEC. 114-94130 Verarbeitungs-Spez.

9- -1 AS SHOWN
wie gezeichnet

THIS DRAWING IS A CONTROLLED DOCUMENT.		DWN T.Salman 06MAY2011	TE Connectivity		
DIMENSIONS: mm		CHK U.Hoepfner 09MAY2011			
TOLERANCES UNLESS OTHERWISE SPECIFIED:		APVD D.H.Vu 09MAY2011			
0 PLC ± DIN ISO 1 PLC ± 2768 2 PLC ± - mK 3 PLC ± 4 PLC ± ANGLES ± FINISH SEE TABLE		PRODUCT SPEC -	NAME SHIELD CRIMP FERRULE Untercrimphuelse		
MATERIAL SEE TABLE		APPLICATION SPEC -	SIZE A3	CAGE CODE 00779	DRAWING NO C=2177061
		WEIGHT SEE TABL	RESTRICTED TO -		
Customer Drawing			SCALE 5:1	SHEET 2	OF 2
			REV D		

X-ON Electronics

Largest Supplier of Electrical and Electronic Components

Click to view similar products for [Crimpers / Crimping Tools](#) category:

Click to view products by [TE Connectivity](#) manufacturer:

Other Similar products are found below :

[010-0096](#) [CT150-2-D02](#) [CT150-6-RH07](#) [622-6441LF](#) [63484-3701](#) [63800-8355](#) [63819-1875](#) [63819-2875](#) [63819-4475](#) [63827-5375](#) [64005-0175](#) [662903-2](#) [690602-6](#) [7-23471-1](#) [734611-1](#) [762637-1](#) [811242-5](#) [91362-1](#) [1-21002-3](#) [1-21002-7](#) [12118040](#) [12085270](#) [12387119-6](#) [1-22548-4](#) [125442-1](#) [DCE.91.073.BVC](#) [DCE.91.090.3MVM](#) [DCE.91.162.BVCM](#) [DCE.91.202.BVCM](#) [1310G2](#) [1333249-1](#) [1-354003-0](#) [1338301-1](#) [DF62/RE-MD](#) [142321](#) [AP105-DF11-2428S\(64\)](#) [1456088-1](#) [1-45804-6](#) [15397700](#) [AX100749](#) [1-59619-7](#) [1596970-1](#) [1-59619-8](#) [1901238-2](#) [2119581-1](#) [K761](#) [KTH-1079](#) [KTH-2022](#) [KTH-2260](#) [904139-1](#)