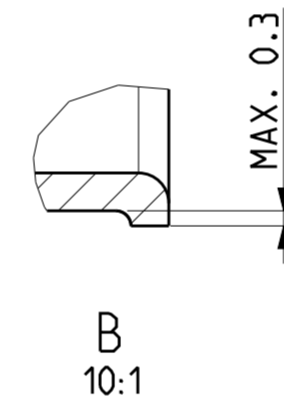
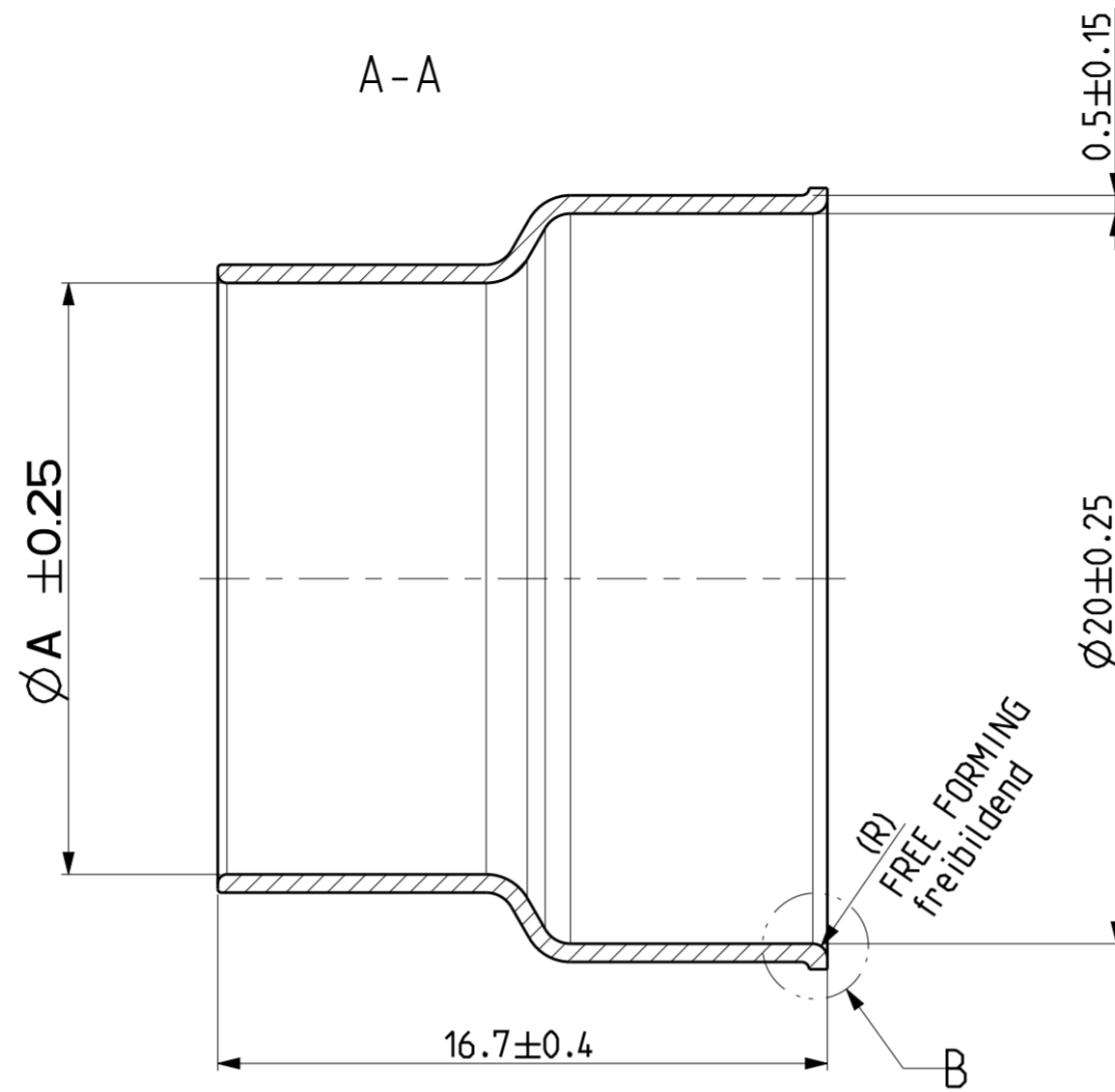
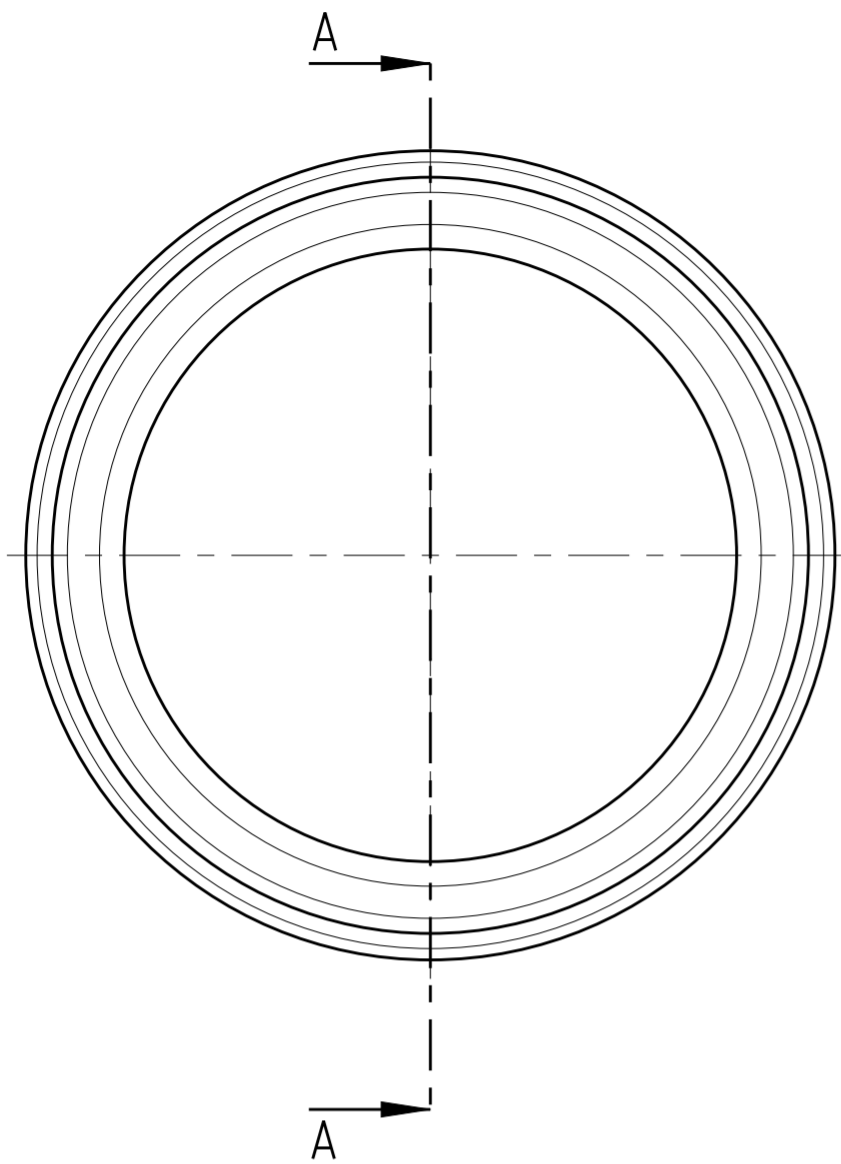


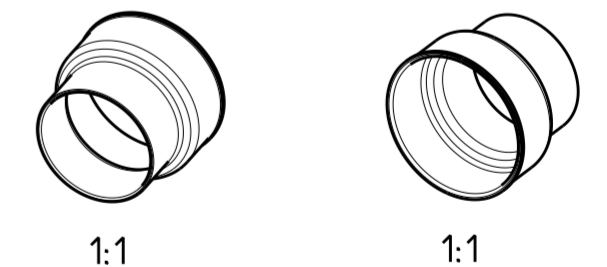
P	LTR	DESCRIPTION	DATE	DWN	APVD
B		NEW VARIANT ADDED	24NOV2016	W SA	DHV
C		PN 9-2177090-1/-2/-3 Obsolete	27SEP2017	CR	DHV
C1		PN 0-2177090-5 in Tabelle hinzu	23MAR2018	CR	DHV
C2		New PN 0-2177090-6 added in table	08MAY2019	JJH	TSV



- 1 ONLY THE GERMAN LANGUAGE IS AUTHORITATIVE
Massgebend ist der deutsche Text
- 2 PACKAGING: BULK PACKAGING IN SHIPPING BOX
Verpackung: Schuettgut in Versandkarton

NOTE Bem.	FEATURE Merkmal
3	PRODUCT-SPEC. 108-94297 Produkt-Spez.
4	APPLICATION-SPEC. 114-94130 Verarbeitungs-Spez.

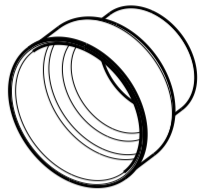
TE-ORDER-NO. TE-Bestell-Nr.	REV	DESCRIPTION Benennung	DIMENSION A Mass A	FOR / fuer WIRE SIZE [MM ²] Leitungsquers. [mm ²]	MATERIAL	WEIGHT Gewicht [g]	SURFACE Oberflaeche
0-2177090-6	A	SHIELD CRIMP FERRULE Schirm Crimphuelse	15.6	50mm ² General Cable Prestolite ES-2364 for FCA Specific	STAINLESS STEEL 1.4301 Edelstahl 1.4301	4.0	BLANK blank
0-2177090-5	A		13.6	35mm ² Prestolite			
0-2177090-4	A		10.5	16			
0-2177090-3	A		12.5	25			
0-2177090-2	A		14.8	35			
0-2177090-1	A		16.2	50			



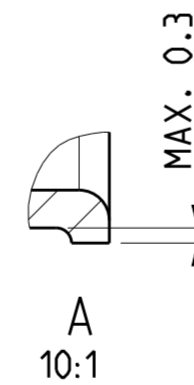
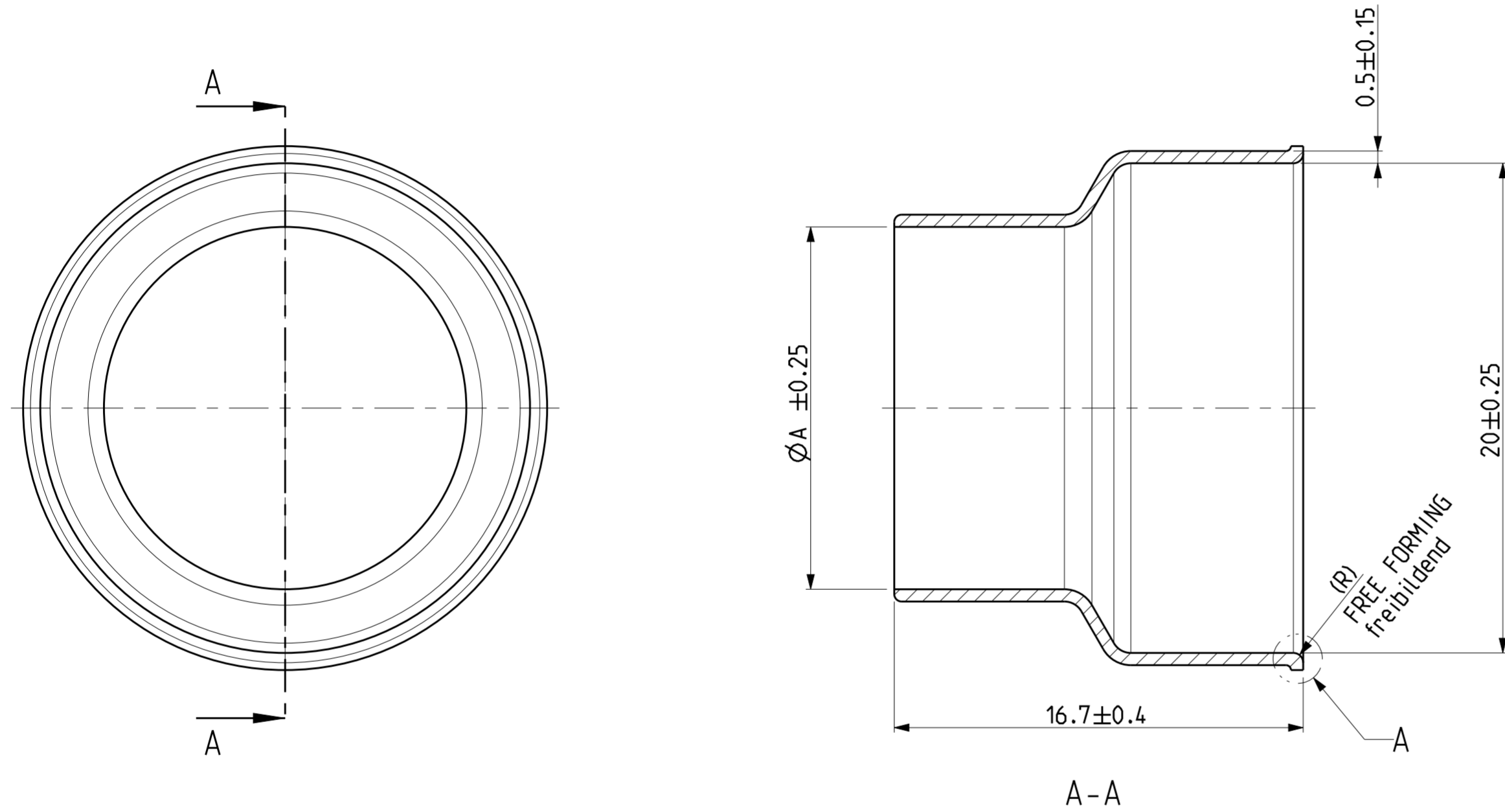
0- -1 AS SHOWN
wie gezeichnet

PRODUCT CHARACTERISTICS ACC. QMP_EMEA_012 BESONDERE MERKMALE NACH QMP_EMEA_012		TOLERANCING ISO 8015 TOLERIERUNG ISO 8015	
THIS DRAWING IS A CONTROLLED DOCUMENT.		DWN I.Salman 06MAY2011 CHK U.Hoepfner 09MAY2011 APVD D.H.VU 09MAY2011	
DIMENSIONS: mm		TOLERANCES UNLESS OTHERWISE SPECIFIED: DIN ISO 2768-mK	
MATERIAL -		FINISH -	
MATERIAL -		finish_spec_2	
PRODUCT SPEC -		3	
APPLICATION SPEC -		4	
WEIGHT -		-	
CUSTOMER DRAWING		SCALE 5:1 SHEET 1 OF 2 REV C2	
NAME SHIELD CRIMP FERRULE Schirm Crimphuelse		SIZE A2 CAGE CODE 00779 DRAWING NO C-2177090	
RESTRICTED TO		-	

P	LTR	DESCRIPTION	DATE	DWN	APVD
-		SEE SHEET 1	-	-	-



1:1



NOTES:

Bemerkungen:

- 1 ONLY THE GERMAN LANGUAGE IS AUTHORITATIVE
Maßgebend ist der deutsche Text
- 2 PACKAGING: BULK PACKAGING IN SHIPPING BOX
Verpackung: Schuetftgut in Versandkarton

OBSOLETE

NOTE Bem.	FEATURE Merkmal
3	PRODUCT-SPEC. 108-94297 Produkt-Spez.
4	APPLICATION-SPEC. 114-94130 Verarbeitngs-Spez.

9-2177090-3	1		12.5	25			
9-2177090-2	1	SHIELD CRIMP FERRULE Schirm Crimphuelse	14.8	35	STAINLESS STEEL 1.4301 Edelstahl 1.4301	4	BLANK blank
9-2177090-1	1		16.2	50			
TE-ORDER-NO. TE-Bestell-Nr.	REV	DESCRIPTION Benennung	DIMENSION A Mass A	FOR / fuer WIRE SIZE [MM ²] Leitungsquers. [mm ²]	MATERIAL	WEIGHT [G] Gewicht [g]	SURFACE Oberflaeche

PRODUCT CHARACTERISTICS ACC. QMP.EMEA_012 BESONDERE MERKMALE NACH QMP.EMEA_012		TOLERANCING ISO 8015 TOLERIERUNG ISO 8015	
THIS DRAWING IS A CONTROLLED DOCUMENT.		DWN I.Salman 06MAY2011	TE Connectivity
		CHK U.Hoepfner 09MAY2011	
		APVD D.H.VU 09MAY2011	
DIMENSIONS: mm		TOLERANCES UNLESS OTHERWISE SPECIFIED: 0 PLC ± 1 PLC ± 2 PLC ± 3 PLC ± 4 PLC ± ANGLES ±° FINISH -	
MATERIAL -		PRODUCT SPEC 3 APPLICATION SPEC 4 WEIGHT - CUSTOMER DRAWING	
		NAME SHIELD CRIMP FERRULE Schirm Crimphuelse SIZE A2 CAGE CODE 00779 DRAWING NO C-2177090 RESTRICTED TO SCALE 5:1 SHEET 2 OF 2 REV C2	

X-ON Electronics

Largest Supplier of Electrical and Electronic Components

Click to view similar products for [Automotive Connectors](#) category:

Click to view products by [TE Connectivity](#) manufacturer:

Other Similar products are found below :

[003-018-000](#) [600858](#) [60403001](#) [60993906-B](#) [60993913-B](#) [629515004020001](#) [M902-2131](#) [M902-2161](#) [M902-2344](#) [72.330.1035.1](#)
[73.353.4028.0](#) [F118010](#) [F119300-B](#) [F132210](#) [F132210-B](#) [F166900](#) [F180100](#) [F258300](#) [F258300-B](#) [F294300-B](#) [F339100](#) [F339700](#) [F358300-](#)
[B](#) [F374110](#) [F407400](#) [F412210](#) [F427600](#) [F444110](#) [F487000](#) [F495100-B](#) [F500900-B](#) [F509500B-B](#) [770444-1](#) [776880-1](#) [827153-1](#) [881735-1](#)
[8N1515-32-24P](#) [9-1326727-8](#) [9-1326729-8](#) [925467-1](#) [925474-1](#) [928905-1](#) [936398-2](#) [964562-1](#) [964562-4](#) [964731-2](#) [965051-1](#) [968782-1](#)
[GT17SA-8DS-HU](#) [GT17VS-10DP-5.2CF](#)