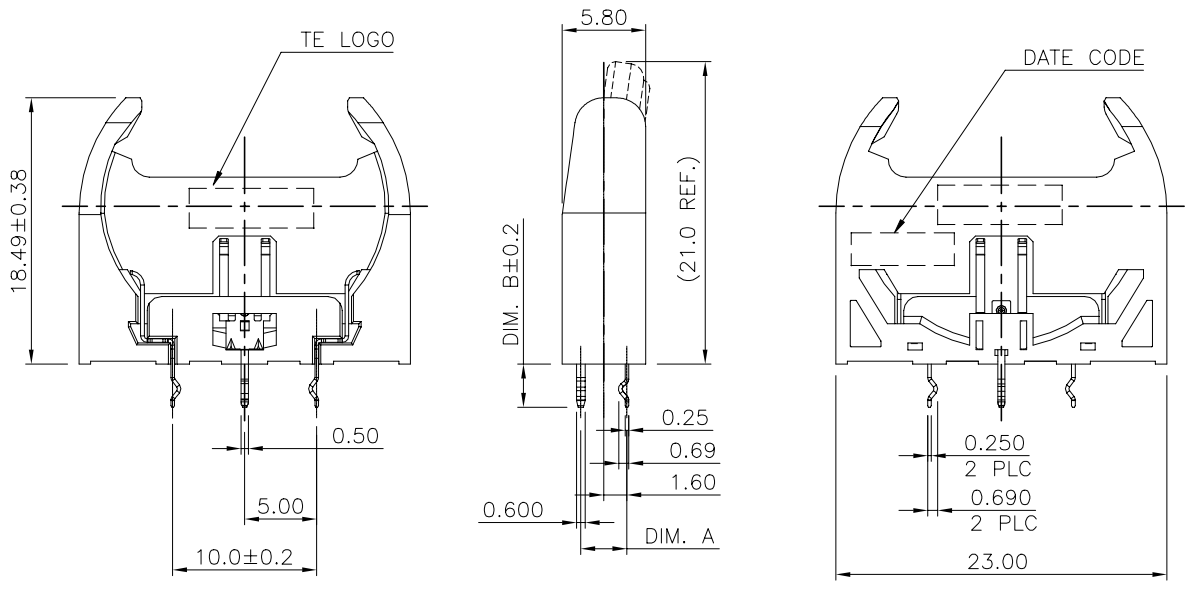
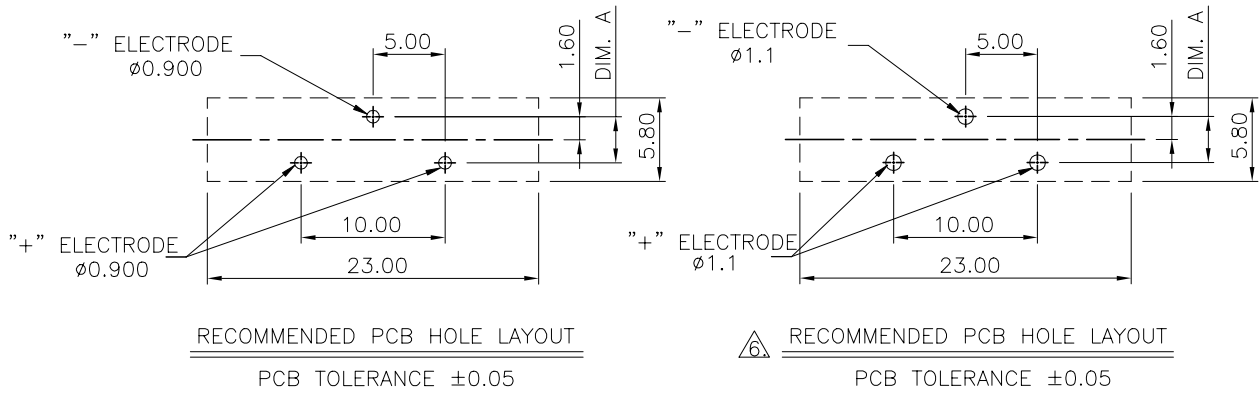
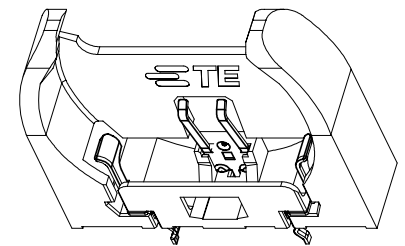


LOC	DIST	REVISIONS			
P	LTR	DESCRIPTION	DATE	DWN	APVD
B1		REVISED PER ECO-19-018013	10MAR20	K.G	W.H
B2		REVISED PER ECO-20-011206	10JUN20	K.G	W.H



- NOTES :
- MATERIAL :
    - HOUSING: MATERIAL AND COLOR: SEE TABLE, UL94 V-0
    - CONTACT: STAINLESS STEEL
  - FINISH : CONTACT
    - 2.1 GOLD FLASH PLATING ON CONTACT AREA, 2.54um [100u"] MIN. MATTE-TIN PLATING ON SOLDERING AREA. 0.76um [30u"] MIN. NICKEL UNDERPLATING OVERALL.
    - 2.2 GOLD PLATING 0.125um [5u"] MIN.ON CONTACT AREA, 2.54um [100u"] MIN. MATTE-TIN PLATING ON SOLDERING AREA. 1.25um [50u"] MIN. NICKEL UNDERPLATING OVERALL.
  - WAVE SOLDER CAPABLE TO 265°C PER TE SPEC. 109-202, CONDITION B.
  - RECOMMENDED PCB THICKNESS: 1.6mm
  - SUITABLE FOR BATTERY NO.: CR2032.
  6. LOW PCB RETENTION FORCE.

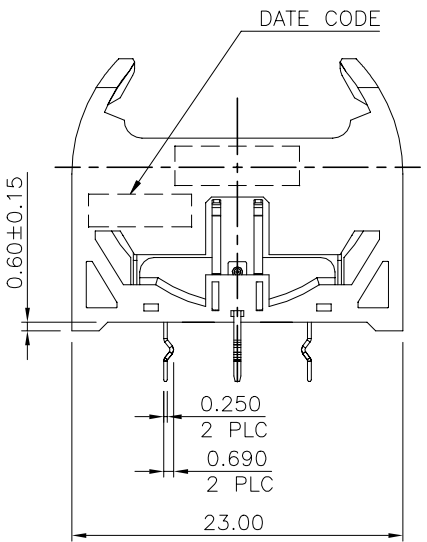
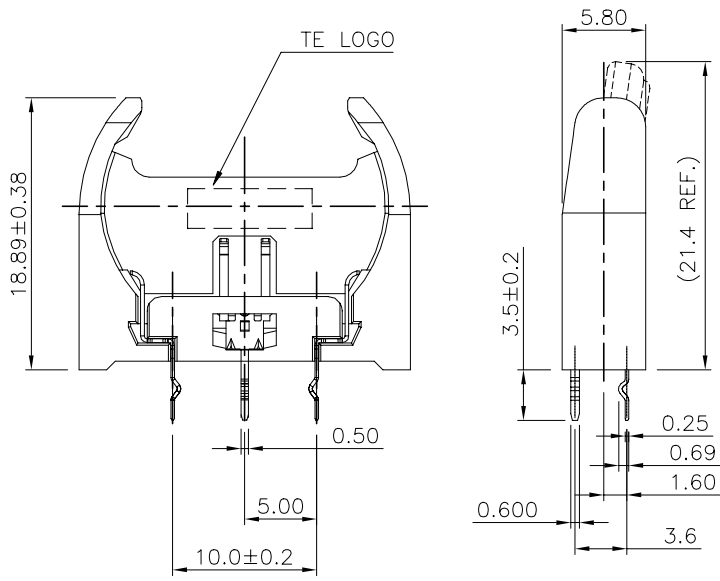


2.1	3.0 mm	3.2 mm	PA-66 & BLACK	2-1775485-4
2.2	3.6 mm	3.6 mm	PA-66 & BLACK	1775485-5
2.1				2-1775485-1
2.1	3.0 mm	3.2 mm	PA-66 & 2718C BLUE	1-1775485-2
2.1			PA-66 & BLACK	1-1775485-1
2.1			PA-66 & 2718C BLUE	1775485-2
2.2	3.0 mm	3.6 mm	PA-66 & BLACK	1775485-4
2.1				1775485-1
FINISHED	DIM B	DIM A	HOUSING MATERIAL&COLOR	PART NO.

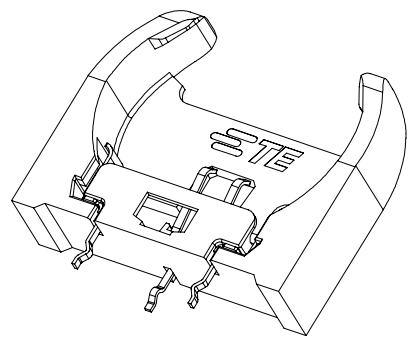
THIS DRAWING IS A CONTROLLED DOCUMENT.

DWN	S. CHIEN	03JUN2008	TE Connectivity
CHK	S. CHIEN	03JUN2008	
APVD	W. KODAMA	03JUN2008	
DIMENSIONS: MM TOLERANCES UNLESS OTHERWISE SPECIFIED: 0 PLC ± - 1 PLC ± 0.38 2 PLC ± 0.25 3 PLC ± 0.15 4 PLC ANGLES ± 2°			NAME
MATERIAL SEE NOTE			PRODUCT SPEC 108-57542 QUALIFICATION TEST REPORT 501-57624 WEIGHT 1.19 GRAMS
FINISH SEE NOTE			BATTERY HOLDER, H=18.5mm, V/T SIZE A3 CAGE CODE 00779 DRAWING NO C=1775485 RESTRICTED TO
CUSTOMER DRAWING			SCALE: - SHEET: 1 OF 4 REV: B2

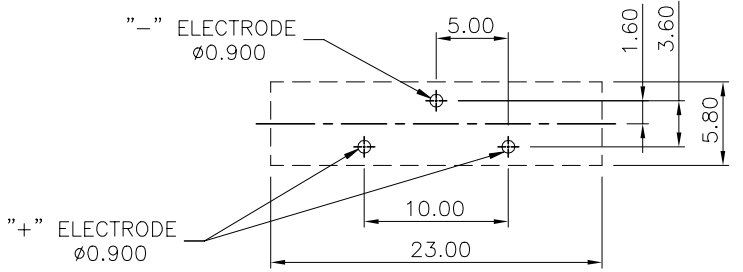
LOC	DIST	REVISIONS			
P	LTR	DESCRIPTION	DATE	DWN	APVD
SEE SHEET 1.					



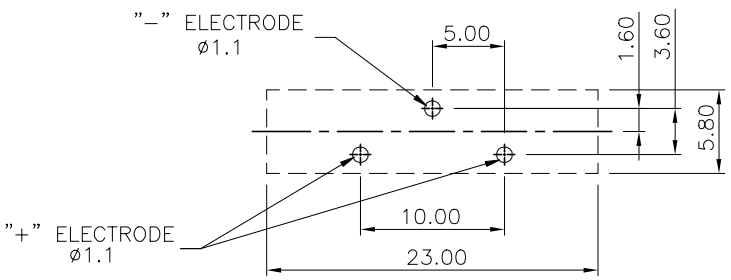
- NOTES :
- MATERIAL :
    - HOUSING: UL94 V-0, PA SERIES COLOR: SEE TABLE
    - CONTACT: STAINLESS STEEL
  - FINISH :
    - CONTACT
      - GOLD FLASH PLATING ON CONTACT AREA, 2.54um [100u"] MIN. MATTE-TIN PLATING ON SOLDERING AREA. 0.76um [30u"] MIN. NICKEL UNDERPLATING OVERALL.
  - WAVE SOLDER CAPABLE TO 265°C PER TE SPEC. 109-202, CONDITION B.
  - RECOMMENDED PCB THICKNESS: 1.6mm
  - SUITABLE FOR BATTERY NO.: CR2032.
- ⚠️ LOW PCB RETENTION FORCE.



PRODUCT AS SHOWN  
(0.60mm Height Standoff)



RECOMMENDED PCB HOLE LAYOUT  
PCB TOLERANCE ±0.05



RECOMMENDED PCB HOLE LAYOUT  
PCB TOLERANCE ±0.05

SOFT TRAY	1775485-3
PACKING	PART NO.

THIS DRAWING IS A CONTROLLED DOCUMENT.		DWN S. CHIEN 03JUN2008	TE Connectivity  BATTERY HOLDER, H=18.9mm V/T	RESTRICTED TO	
DIMENSIONS: MM		CHK S. CHIEN 03JUN2008		NAME	
TOLERANCES UNLESS OTHERWISE SPECIFIED:		APVD W. KODAMA 03JUN2008		PRODUCT SPEC	
0 PLC ± - 1 PLC ± 0.38 2 PLC ± 0.25 3 PLC ± 0.15 4 PLC ± - ANGLES ± 2°		QUALIFICATION TEST REPORT		108-57542	
MATERIAL SEE NOTE	FINISH SEE NOTE	WEIGHT 1.19 GRAMS	SIZE A3	CAGE CODE 00779	DRAWING NO C=1775485
CUSTOMER DRAWING			SCALE -	SHEET 2 OF 4	REV B2

THIS DRAWING IS UNPUBLISHED.

RELEASED FOR PUBLICATION

AUG ,2006.

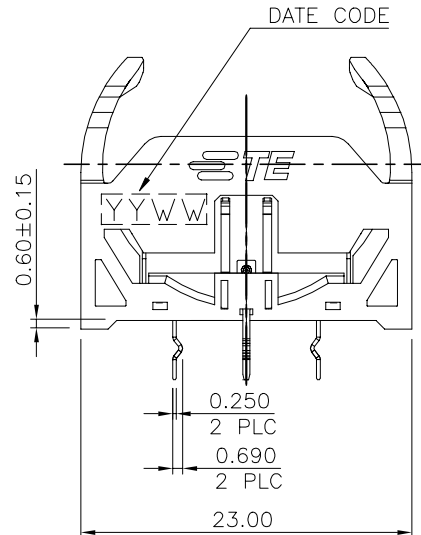
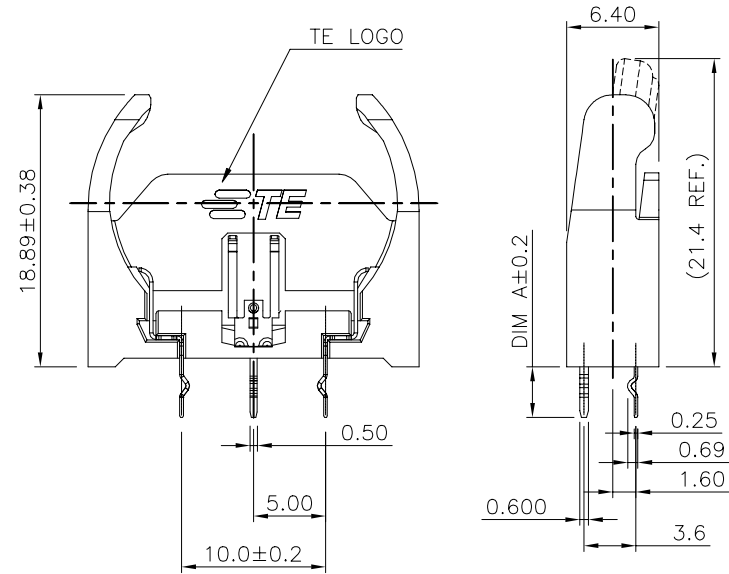
© COPYRIGHT BY TYCO ELECTRONICS CORPORATION.

ALL RIGHTS RESERVED.

LOC DW DIST

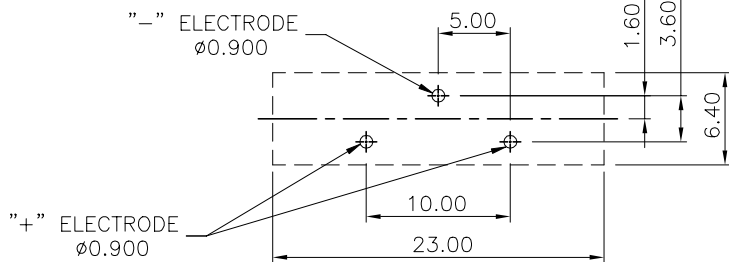
REVISIONS

P	LTR	DESCRIPTION	DATE	DWN	APVD
		SEE SHEET 1.			



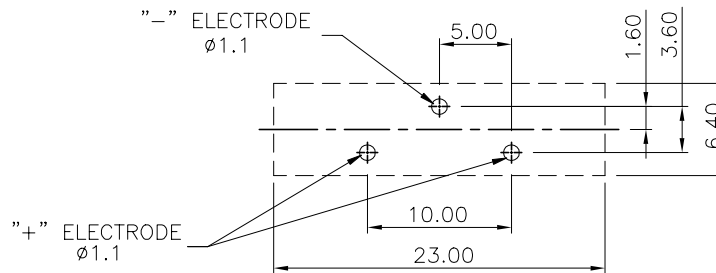
NOTES :

- MATERIAL :
  - HOUSING: UL94 V-0, PA SERIES COLOR: SEE TABLE
  - CONTACT: STAINLESS STEEL
- FINISH :
  - CONTACT
    - GOLD FLASH PLATING ON CONTACT AREA, 2.54um [100u"] MIN. MATTE-TIN PLATING ON SOLDERING AREA.
    - 0.76um [30u"] MIN. NICKEL UNDERPLATING OVERALL.
- WAVE SOLDER CAPABLE TO 265°C PER TE SPEC. 109-202, CONDITION B.
- RECOMMENDED PCB THICKNESS: 1.6mm
- SUITABLE FOR BATTERY NO.: CR2032.
- △ LOW PCB RETENTION FORCE.
- 3-1775485-2 AND 4-1775485-2 ARE PRELIMINARY PART



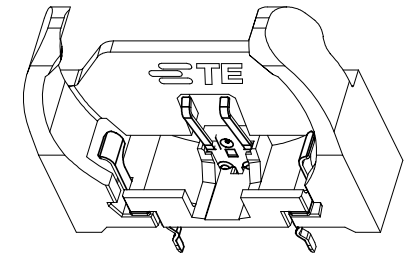
RECOMMENDED PCB HOLE LAYOUT

PCB TOLERANCE ±0.05



△ RECOMMENDED PCB HOLE LAYOUT

PCB TOLERANCE ±0.05



3.00	PA10T HF & BLACK	3-1775485-2
3.50	PA10T HF&2718C BLUE	2-1775485-2
DIM A	HOUSING COLOR	PART NO.

THIS DRAWING IS A CONTROLLED DOCUMENT.		DWN S. CHIEN 03JUN2008	<b>STE</b> TE Connectivity	
		CHK S. CHIEN 03JUN2008		
DIMENSIONS: MM		APVD W. KODAMA 03JUN2008	NAME	
TOLERANCES UNLESS OTHERWISE SPECIFIED:		PRODUCT SPEC	BATTERY HOLDER, H=18.9mm V/T	
0 PLC ± -		108-57542		
1 PLC ± 0.38		QUALIFICATION TEST REPORT		
2 PLC ± 0.25		501-57624		
3 PLC ± 0.15		WEIGHT 1.19 GRAMS	RESTRICTED TO	
4 PLC ANGLES ± -		CUSTOMER DRAWING		
FINISH SEE NOTE		SCALE -	SHEET 3 OF 4	
		A3 00779 C=1775485		REV B2

THIS DRAWING IS UNPUBLISHED.

RELEASED FOR PUBLICATION

AUG ,2006.

© COPYRIGHT - BY TYCO ELECTRONICS CORPORATION.

ALL RIGHTS RESERVED.

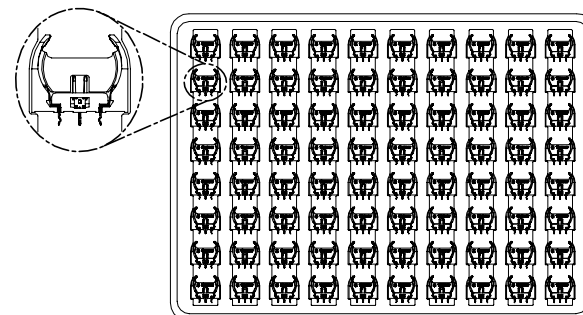
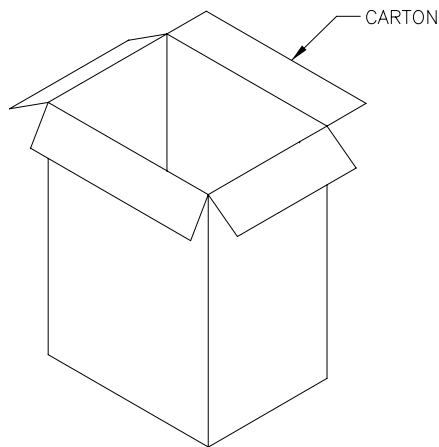
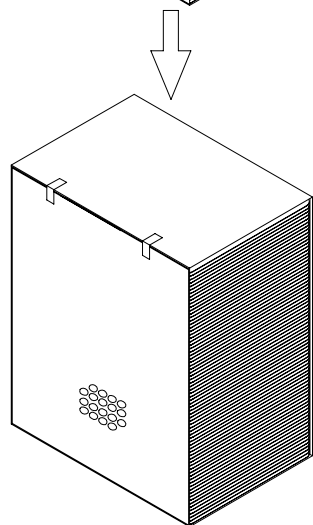
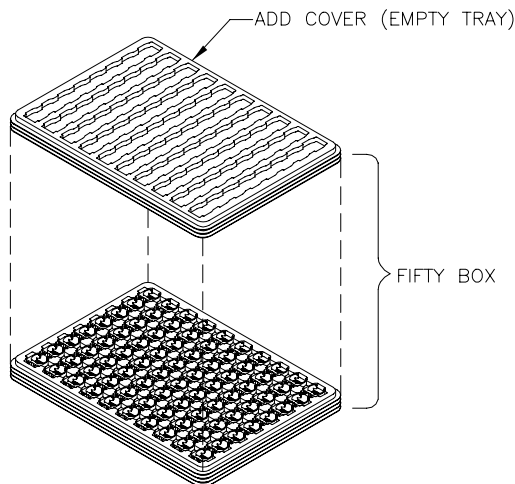
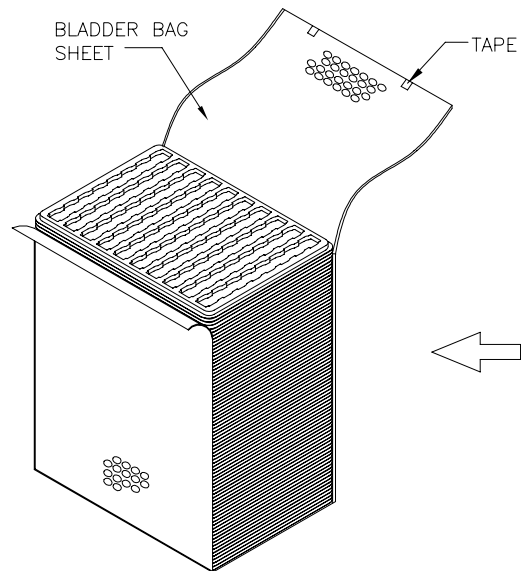
LOC DW DIST

REVISIONS

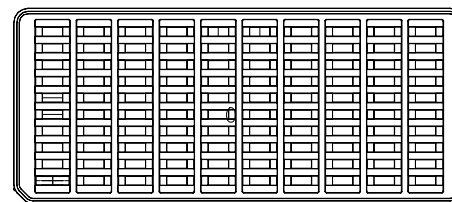
P	LTR	DESCRIPTION	DATE	DWN	APVD
		SEE SHEET 1.			

NOTES :

- 1. MATERIAL:
  - 1.1 TRAY:
    - 1775485-1/1775485-2/1775485-4/1775485-5 SOFT TRAY
    - 1-1775485-1/1-1775485-2/2-1775485-1 SOFT TRAY
    - 2-1775485-2/1775485-3 SOFT TRAY
    - 2-1775485-4/3-1775485-2 HARD TRAY
  - 1.2 SHIPPING CARTON: CORRUGATED FIBERBOARD
- 2. QUANTITY:
  - 2.1 PRIMARY PACKING: 80 PCS/TRAY SOFT TRAY  
100 PCS/TRAY HARD TRAY
  - 2.2 SECONDARY PACKING: 50 TRAY/CARTON(4,000PCS)  
20 TRAY/CARTON(2,000PCS)



SOFT TRAY



HARD TRAY

THIS DRAWING IS A CONTROLLED DOCUMENT.		DWN		<b>STE</b> TE Connectivity	
DIMENSIONS: MM		CHK			
TOLERANCES UNLESS OTHERWISE SPECIFIED:		APVD		NAME	
0 PLC ± -		PRODUCT SPEC		BATTERY HOLDER, H=18.5mm, V/T	
1 PLC ± -		APPLICATION SPEC		SIZE CAGE CODE DRAWING NO RESTRICTED TO	
2 PLC ± -		WEIGHT		A3 00779 C=1775485	
3 PLC ± -		CUSTOMER DRAWING		SCALE SHEET 4 OF 4 REV B2	
4 PLC ANGLES ± -					
MATERIAL					
FINISH					

## X-ON Electronics

Largest Supplier of Electrical and Electronic Components

*Click to view similar products for [Coin Cell Battery Holders](#) category:*

*Click to view products by [TE Connectivity](#) manufacturer:*

Other Similar products are found below :

[PDSN-11-D](#) [799-2007](#) [BH44AAB](#) [BH48DL](#) [BH8000](#) [BS-6-1](#) [3035](#) [103](#) [D3](#) [46400000](#) [BC-0403](#) [BH-121-1B](#) [BH-1/2AA-2A](#) [BH-131A](#)  
[BH-3101A](#) [BH-3103B](#) [BH-311-1A](#) [BH-311-1D](#) [BH-321-1A](#) [BH-321-1B](#) [BH-321-1D](#) [BH-331-3D](#) [BH-333A](#) [BH-341-1P](#) [BH-342-1A](#) [BH-](#)  
[351A](#) [BH-362B](#) [BH-383A](#) [BH-421A](#) [BH-422A](#) [BH-425A](#) [BH-431-1B](#) [BH-463A](#) [BH-511A](#) [BHC-18650-1P](#) [46300000](#) [46600000](#) [799-2001](#)  
[SBH-331A](#) [SBH-341-1A](#) [SBH-341-AS](#) [SBH-421-1A](#) [SBH-431-1AS](#) [SBH-441A](#) [SBH-9VA](#) [BH-121-1A](#) [BHC-18650-1A](#) [SBH-421-1AS](#)  
[SBH-441AS](#) [3001](#)