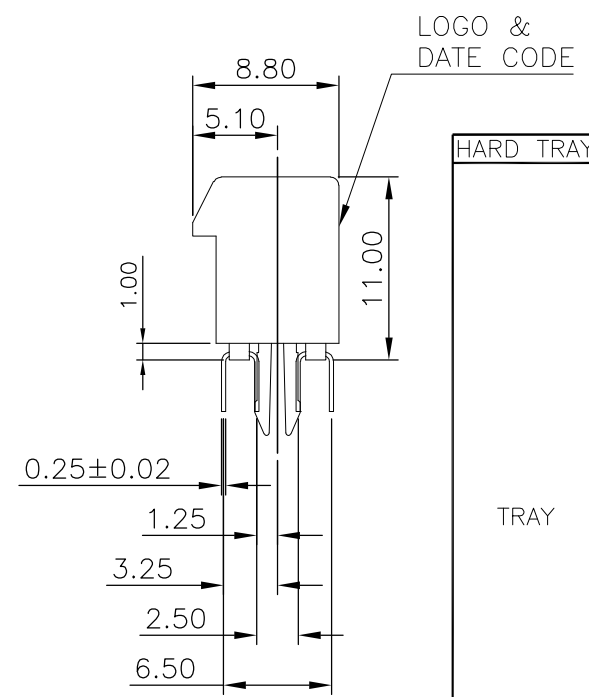
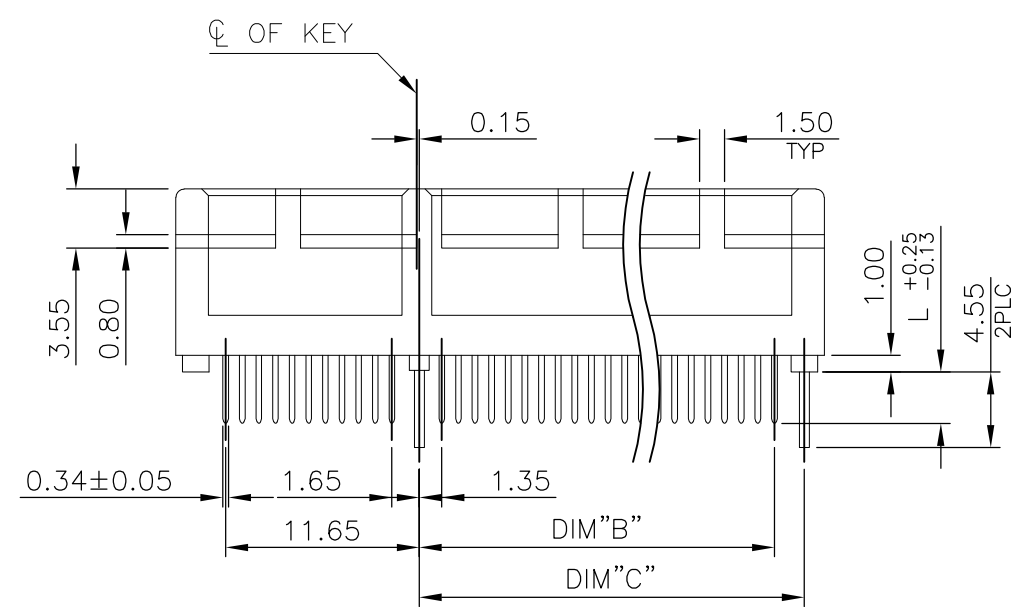
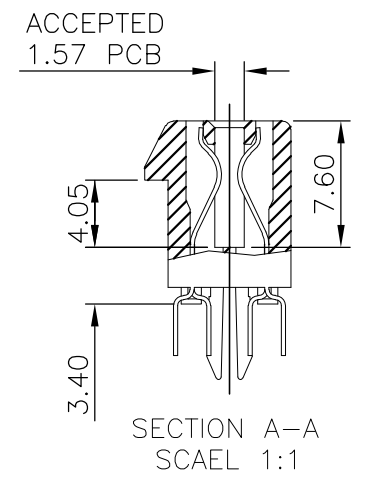
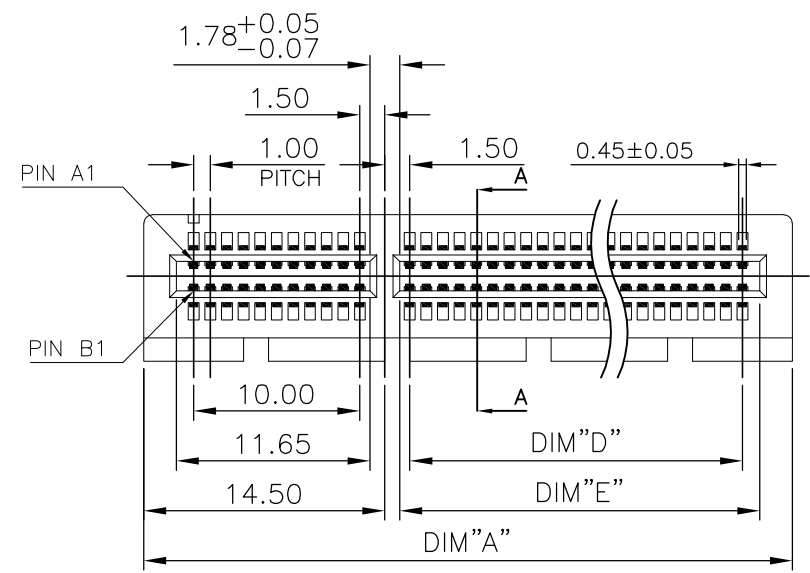


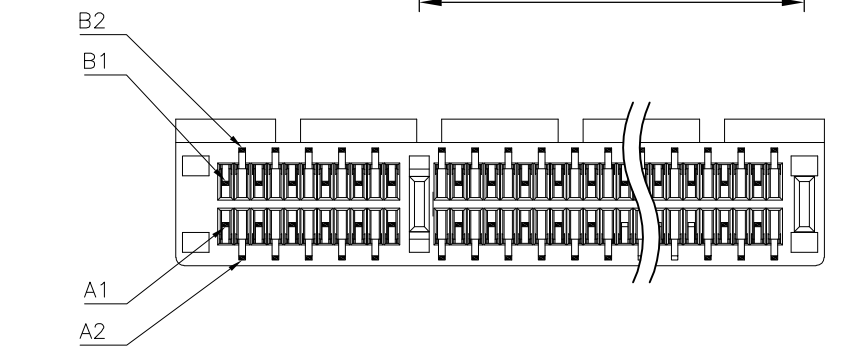
THIS DRAWING IS UNPUBLISHED. RELEASED FOR PUBLICATION
 © COPYRIGHT - By - ALL RIGHTS RESERVED.

| REVISIONS | | | | | |
|-----------|-----|---------------|-----------|-----|------|
| P | LTR | DESCRIPTION | DATE | DWN | APVD |
| D | | ECR-16-014363 | 11OCT2016 | FL | SY |

- NOTE:
- MATERIAL:
 HOUSING (SEE TABLE): PA46 OR PA9T, UL94 V-0, COLOR: BLACK.
 CONTACTS: PHOSPHOR BRONZE.
 BOARDLOCK: BRASS.
 - FINISH:
 2.1 CONTACTS: (SEE TABLE) GOLD PLATED ON CONTACT AREA, 2.54um [100u"] MIN. MATTE-TIN ON SOLDER TAIL, WITH ENTIRE CONTACT UNDERPLATED 1.27um [50u"] MIN. NICKEL.
 2.2 BOARDLOCK: 2.54um [100u"] MATTE-TIN PLATING ALL OVER NICKEL 1.27um[50u"] MIN. UNDERPLATED OVERALL.
 - WAVE SOLDER CAPABLE TO 265°C MAX. PER TE SPEC. 109-202, CONDITION B.
 - WEIGHT:
 36 POS.: 2.55 GRAMS
 64 POS.: 3.90 GRAMS
 98 POS.: 5.50 GRAMS
 164 POS.: 8.80 GRAMS
 - REFLOW SOLDER CAPABLE TO 260°C PER TE SPEC. TEC-109-201, CONDITION B.



| PACKAGING | SOLDER CAPACITY | HOUSING MATERIAL | DIM L | GOLD PLATING | DIM E | DIM D | DIM C | DIM B | DIM A | POS. | PART NUMBER | |
|-----------|--------------------|------------------|--------------------|--------------------|-------|-------|-------|-------|-------|------|-------------|----|
| HARD TRAY | NOTE 3 & 5 | PA9T | 2.30 | 0.381µm[15µ"] MIN. | 71.65 | 70.0 | 73.15 | 71.35 | 89.0 | 164 | 6- | -2 |
| | | | | 0.762µm[30µ"] MIN. | | | | | | | 4- | -6 |
| | | | 3.10 | 0.381µm[15µ"] MIN. | 71.65 | 70.0 | 73.15 | 71.35 | 89.0 | 164 | 4- | -5 |
| | | | | GOLD FLASH | | | | | | | 4- | -4 |
| | | | 2.30 | 0.762µm[30µ"] MIN. | 71.65 | 70.0 | 73.15 | 71.35 | 89.0 | 164 | 4- | -3 |
| | | | | 0.381µm[15µ"] MIN. | | | | | | | 4- | -2 |
| | | 3.10 | GOLD FLASH | 38.65 | 37.0 | 40.15 | 38.35 | 56.0 | 98 | 4- | -1 | |
| | | | 0.762µm[30µ"] MIN. | | | | | | | 3- | -6 | |
| | | 2.30 | 0.381µm[15µ"] MIN. | 38.65 | 37.0 | 40.15 | 38.35 | 56.0 | 98 | 3- | -5 | |
| | | | GOLD FLASH | | | | | | | 3- | -4 | |
| | | 3.10 | 0.762µm[30µ"] MIN. | 21.65 | 20.0 | 23.15 | 21.35 | 39.0 | 64 | 3- | -3 | |
| | | | 0.381µm[15µ"] MIN. | | | | | | | 3- | -2 | |
| 2.30 | GOLD FLASH | 21.65 | 20.0 | 23.15 | 21.35 | 39.0 | 64 | 2- | -4 | | | |
| | 0.762µm[30µ"] MIN. | | | | | | | 2- | -5 | | | |
| 3.10 | 0.381µm[15µ"] MIN. | 7.65 | 6.0 | 9.15 | 7.35 | 25.0 | 36 | 2- | -2 | | | |
| | GOLD FLASH | | | | | | | 2- | -1 | | | |
| 2.30 | 0.762µm[30µ"] MIN. | 7.65 | 6.0 | 9.15 | 7.35 | 25.0 | 36 | 1- | -6 | | | |
| | 0.381µm[15µ"] MIN. | | | | | | | 1- | -5 | | | |
| 3.10 | GOLD FLASH | 7.65 | 6.0 | 9.15 | 7.35 | 25.0 | 36 | 1- | -4 | | | |
| | 0.762µm[30µ"] MIN. | | | | | | | 1- | -3 | | | |
| 2.30 | 0.381µm[15µ"] MIN. | 7.65 | 6.0 | 9.15 | 7.35 | 25.0 | 36 | 1- | -2 | | | |
| | GOLD FLASH | | | | | | | 1- | -2 | | | |
| | | | | | | | | | | | 1-1775801-1 | |



THIS DRAWING IS A CONTROLLED DOCUMENT.

DIMENSIONS: mm

TOLERANCES UNLESS OTHERWISE SPECIFIED:

| | |
|--------|--------|
| 0 PLC | ± - |
| 1 PLC | ± 0.3 |
| 2 PLC | ± 0.2 |
| 3 PLC | ± 0.15 |
| 4 PLC | ± - |
| ANGLES | ± 3' |

MATERIAL: SEE NOTE

FINISH: SEE NOTE

DWN: B. HSING 21MAY2009

CHK: S. CHIEN 21MAY2009

APVD: W. KODAMA 21MAY2009

PRODUCT SPEC: 108-57375

APPLICATION SPEC: -

WEIGHT: 0

CUSTOMER DRAWING

STE TE Connectivity

PCI EXPRESS CARD EDGE CONNECTOR VERTICAL, DIP TYPE,(BOARD-LOCK FUNCTION)

NAME: -

SIZE: A3

CAGE CODE: 00779

DRAWING NO: C-1775801

RESTRICTED TO: -

SCALE: 1:1

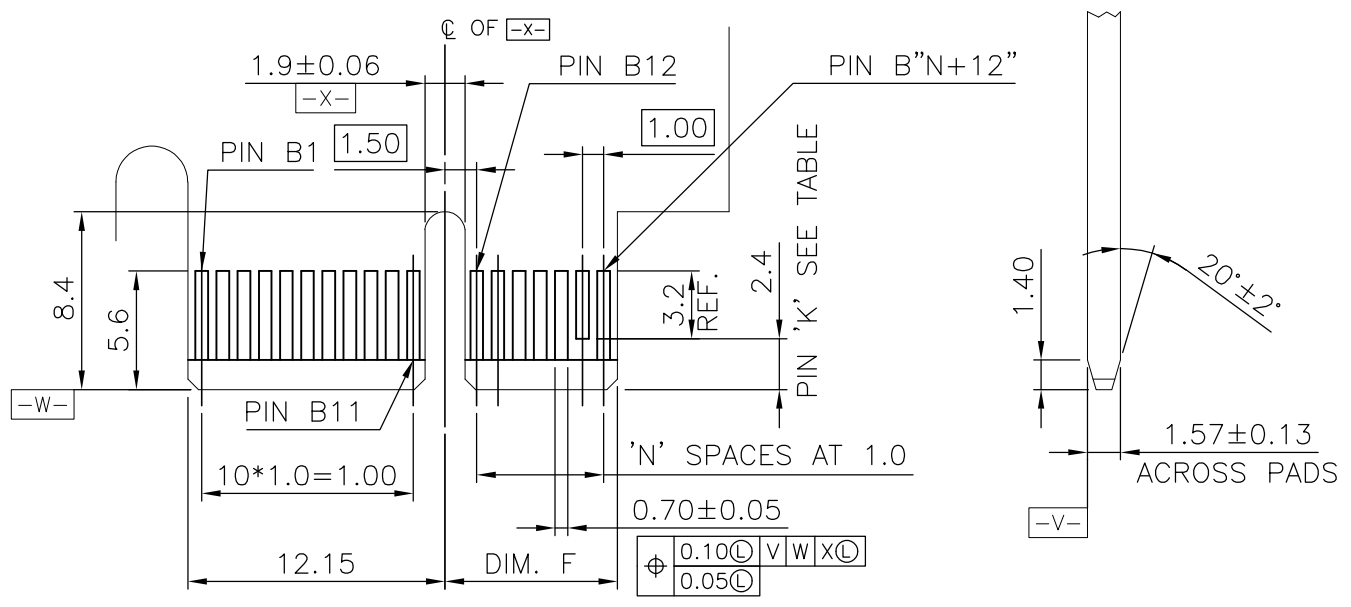
SHEET: 1 OF 4

REV: D

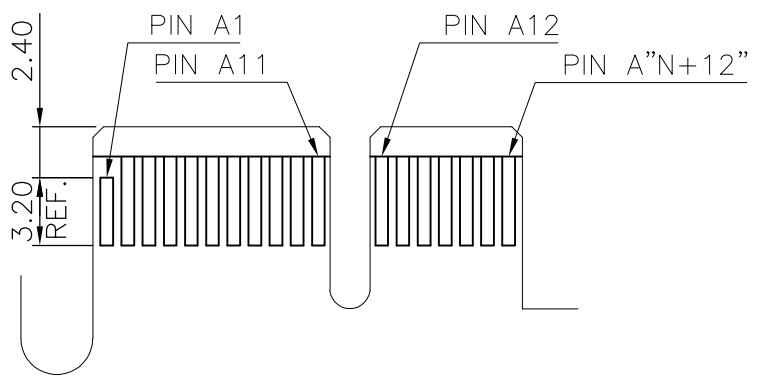
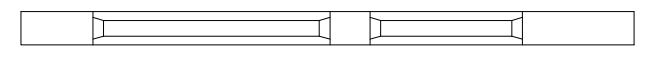
THIS DRAWING IS UNPUBLISHED. RELEASED FOR PUBLICATION
 © COPYRIGHT - By - ALL RIGHTS RESERVED.

| REVISIONS | | | | | |
|-----------|-----|-------------|------|-----|------|
| P | LTR | DESCRIPTION | DATE | DWN | APVD |
| - | - | SEE SHEET 1 | - | - | - |

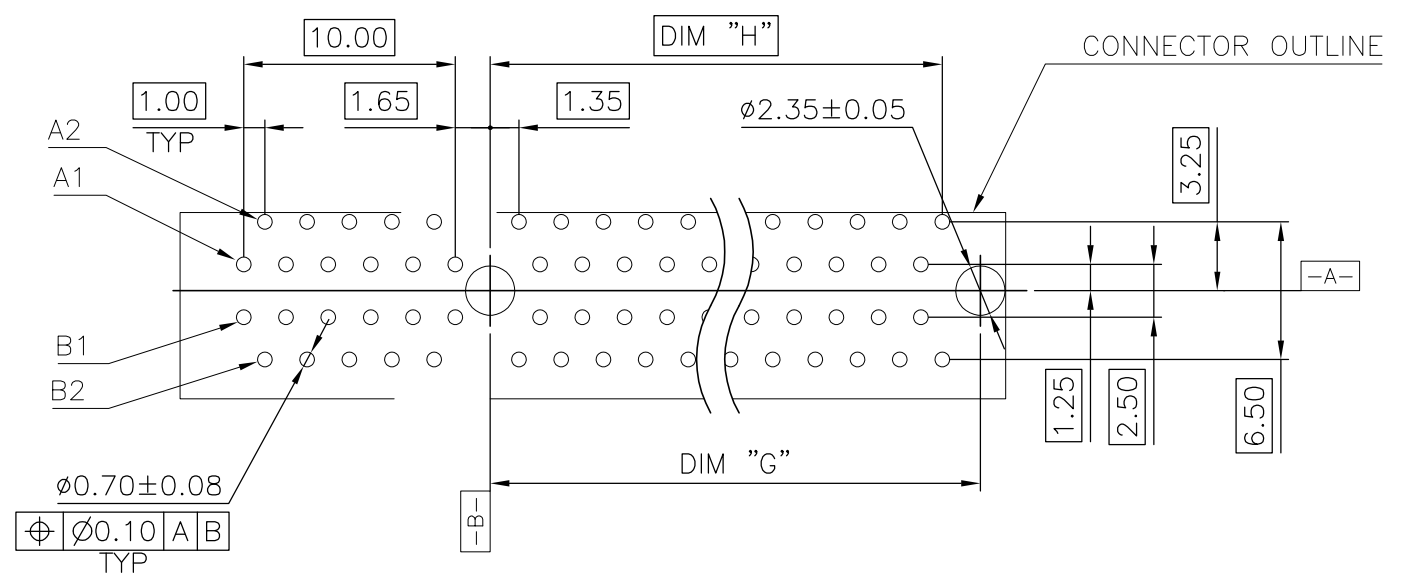
1. NO TIE BAR PERMITTED FROM CARD EDGE TO LEADING EDGE OF PAD FOR PINS A1 AND "K"
2. CHAMFER EDGE MUST BE FREE OF CUTTING BURRS



I/O PANEL DIRECTION
 PRIMARY (COMPONENT) SIDE



SECONDARY (SOLDER) SIDE



RECOMMENDED PCB LAYOUT

TOLERANCE: ±0.05
 DIM.L=3.1mm THICKNESS: 2.4mm
 DIM.L=2.3mm THICKNESS: 1.6mm

| POS. | N | DIM. F | DIM. G | DIM. H | "K" |
|------|----|--------|--------|--------|-----------------|
| 36 | 6 | 8.15 | 9.15 | 7.35 | B17 |
| 64 | 20 | 22.15 | 23.15 | 21.35 | B17,B31 |
| 98 | 37 | 39.15 | 40.15 | 38.35 | B17,B31,B48 |
| 164 | 70 | 72.15 | 73.15 | 71.35 | B17,B31,B48,B81 |

| | | | | | | | | | | | | | | | | | |
|--|--------|-------------------|-----------|-----------------|---------------|-------|-------|-------|--------|-------|-----|--------|------|--------------|--|---|--|
| THIS DRAWING IS A CONTROLLED DOCUMENT. | | DWN B. HSING | 21MAY2009 | TE Connectivity | | | | | | | | | | | | | |
| DIMENSIONS: mm | | CHK S. CHIEN | 21MAY2009 | | | | | | | | | | | | | | |
| TOLERANCES UNLESS OTHERWISE SPECIFIED: | | APVD W. KODAMA | 21MAY2009 | NAME | | | | | | | | | | | | | |
| <table border="0"> <tr><td>0 PLC</td><td>± -</td></tr> <tr><td>1 PLC</td><td>± 0.3</td></tr> <tr><td>2 PLC</td><td>± 0.2</td></tr> <tr><td>3 PLC</td><td>± 0.15</td></tr> <tr><td>4 PLC</td><td>± -</td></tr> <tr><td>ANGLES</td><td>± 3'</td></tr> </table> | | 0 PLC | ± - | 1 PLC | ± 0.3 | 2 PLC | ± 0.2 | 3 PLC | ± 0.15 | 4 PLC | ± - | ANGLES | ± 3' | PRODUCT SPEC | | PCI EXPRESS CARD EDGE CONNECTOR VERTICAL, DIP TYPE,(BOARD-LOCK FUNCTION) | |
| 0 PLC | ± - | | | | | | | | | | | | | | | | |
| 1 PLC | ± 0.3 | | | | | | | | | | | | | | | | |
| 2 PLC | ± 0.2 | | | | | | | | | | | | | | | | |
| 3 PLC | ± 0.15 | | | | | | | | | | | | | | | | |
| 4 PLC | ± - | | | | | | | | | | | | | | | | |
| ANGLES | ± 3' | | | | | | | | | | | | | | | | |
| MATERIAL | | APPLICATION SPEC | | SIZE | RESTRICTED TO | | | | | | | | | | | | |
| FINISH | | WEIGHT | | CAGE CODE | DRAWING NO | | | | | | | | | | | | |
| - | | 0 | | A300779 | C=1775801 | | | | | | | | | | | | |
| CUSTOMER DRAWING | | | | SCALE | REV | | | | | | | | | | | | |
| | | | | 1:1 | D | | | | | | | | | | | | |
| | | | | SHEET | 2 OF 4 | | | | | | | | | | | | |

THIS DRAWING IS UNPUBLISHED.

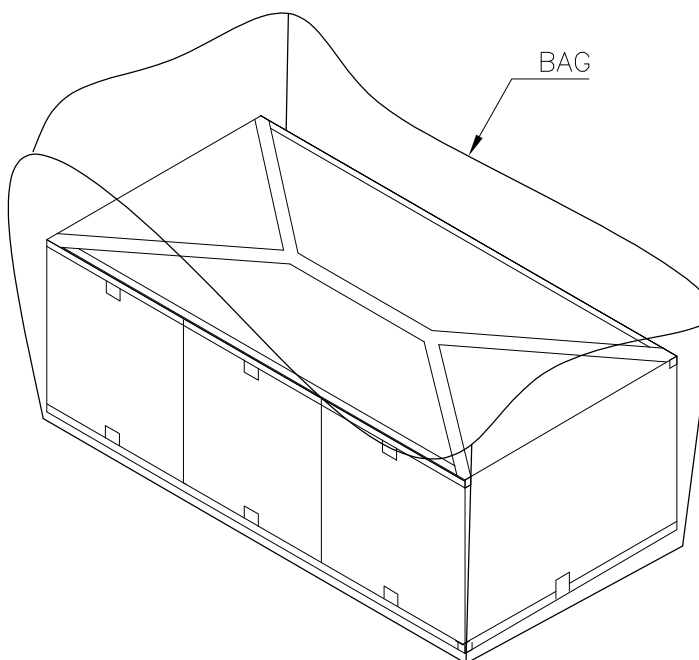
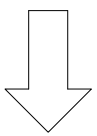
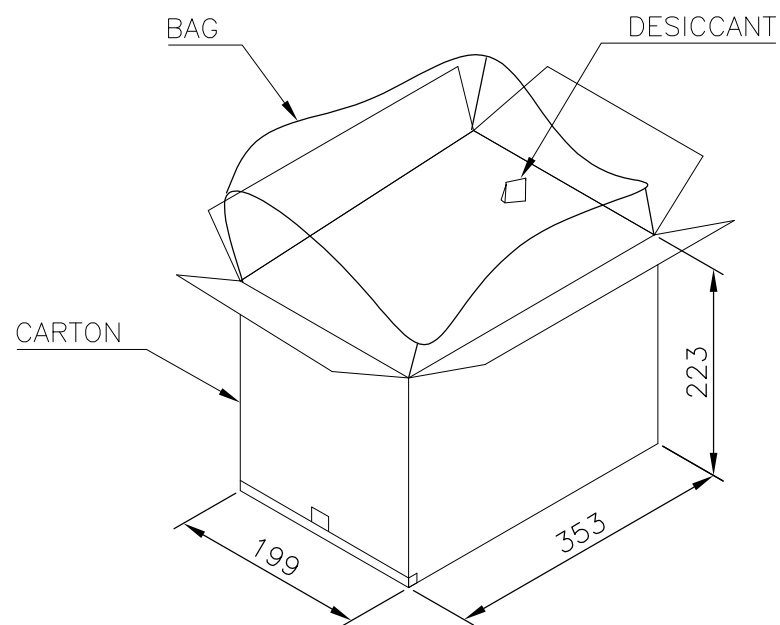
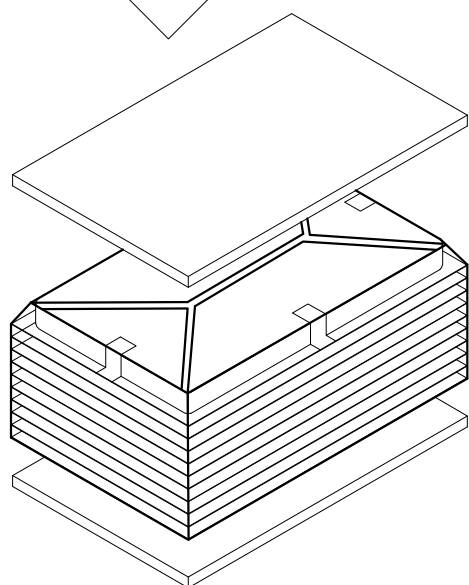
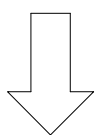
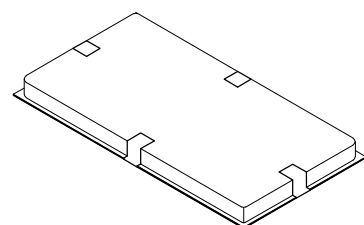
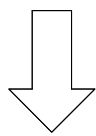
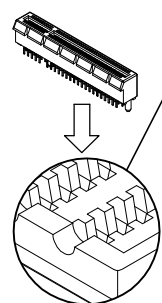
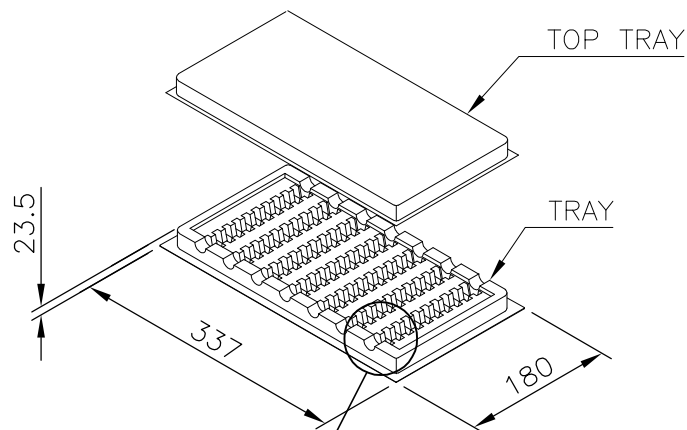
RELEASED FOR PUBLICATION

ALL RIGHTS RESERVED.

© COPYRIGHT - By -

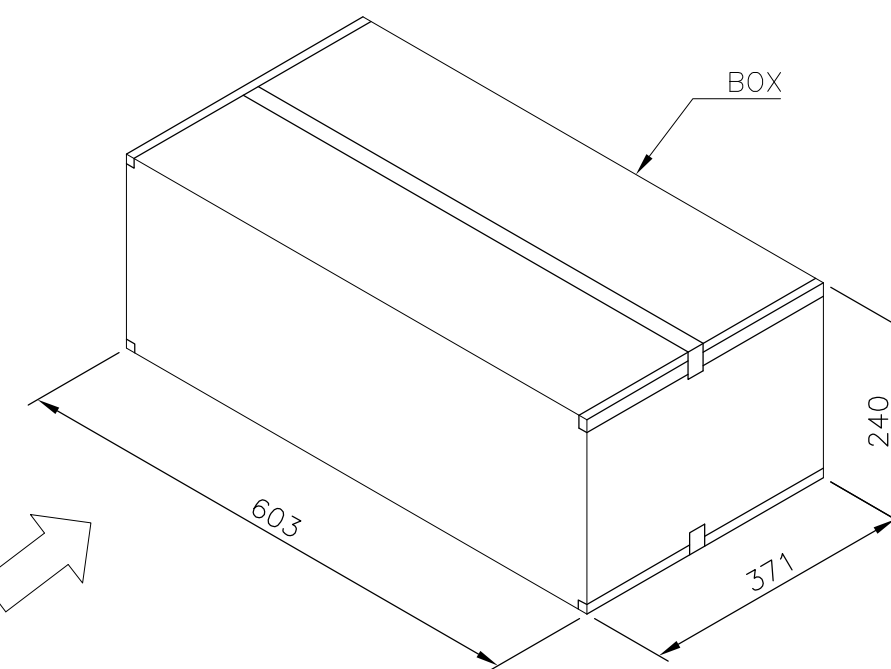
REVISIONS

| P | LTR | DESCRIPTION | DATE | DWN | APVD |
|---|-----|-------------|------|-----|------|
| - | - | SEE SHEET 1 | - | - | - |



NOTES :

- MATERIAL :
TRAY : PVC, COLOR: TRANSPARENT.
CARTON: CORRUGATED FIBER
BOX: CORRUGATED FIBER
- DIMENSION :
TRAY: SEE DRAWING
CARTON: SEE DRAWING
BOX : SEE DRAWING
- QUANTITY : SEE TABLE
- WEIGHT : SEE TABLE



| | | | | | | |
|--------------|------------|-----------|--------------|-------------|----------|-----|
| 9.6 KG | 7.6 KG | 30 | 10 | 3 | 900 | 164 |
| 8.5 KG | 6.5 KG | 40 | 10 | 3 | 1200 | 98 |
| 9.1 KG | 7.1 KG | 60 | 10 | 3 | 1800 | 64 |
| 7.7 KG | 5.7 KG | 70 | 10 | 3 | 2100 | 36 |
| GROSS WEIGHT | NET WEIGHT | PCS/ TRAY | TRAY/ CARTON | CARTON/ BOX | PCS/ BOX | POS |

THIS DRAWING IS A CONTROLLED DOCUMENT.

| DIMENSIONS: | TOLERANCES UNLESS OTHERWISE SPECIFIED: |
|-------------|--|
| mm | |
| | 0 PLC ± - |
| | 1 PLC ± - |
| | 2 PLC ± - |
| | 3 PLC ± - |
| | 4 PLC ± - |
| | ANGLES ± - |
| MATERIAL | FINISH |
| - | - |

| | | |
|------------------|-----------|-----------|
| DWN | B. HSING | 21MAY2009 |
| CHK | S. CHIEN | 21MAY2009 |
| APVD | W. KODAMA | 21MAY2009 |
| PRODUCT SPEC | - | |
| APPLICATION SPEC | - | |
| WEIGHT | 0 | |



NAME
PCI EXPRESS CARD EDGE CONNECTOR
VERTICAL, DIP TYPE,(BOARD-LOCK FUNCTION)

| SIZE | CAGE CODE | DRAWING NO | RESTRICTED TO |
|------|-----------|------------|---------------|
| A3 | 00779 | C-1775801 | - |

CUSTOMER DRAWING SCALE 1:1 SHEET 3 OF 4 REV D

THIS DRAWING IS UNPUBLISHED.

RELEASED FOR PUBLICATION

ALL RIGHTS RESERVED.

© COPYRIGHT - By -

REVISIONS

| P | LTR | DESCRIPTION | DATE | DWN | APVD |
|---|-----|-------------|------|-----|------|
| - | - | SEE SHEET 1 | - | - | - |

NOTES :

PACKING MATERIAL MET TE SPEC TEC-138-702.

- * CADMIUM AND CADMIUM COMPOUNDS CONTENT:
5 PPM UNDER (PLASTIC, RUBBER, INK, PIGMENT, PAINT)
- * LEAD, CADMIUM, CHROM VI AND MERCURY IN PACKAGING MATERIALS CONTENT: 100 PPM (COMBINED) UNDER.

1. MATERIAL :

TRAY: HIPS, COLOR: BLACK.

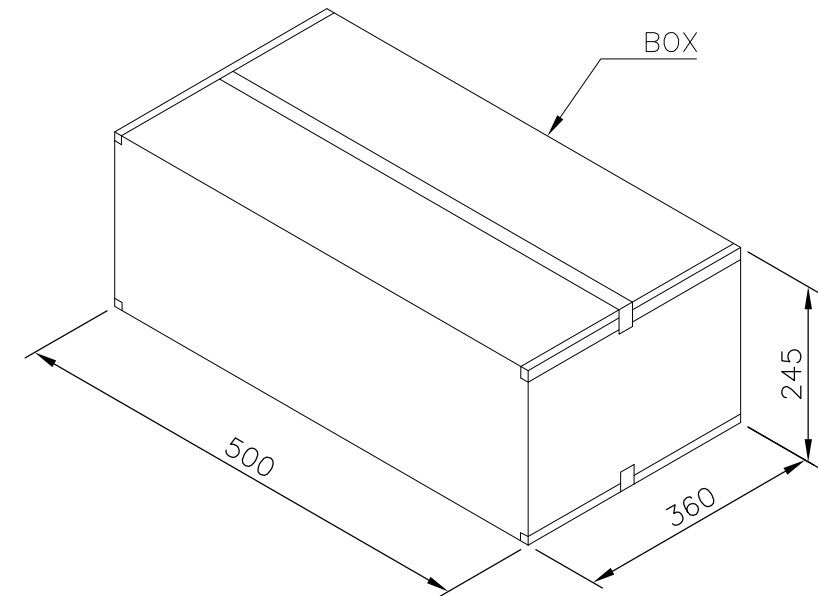
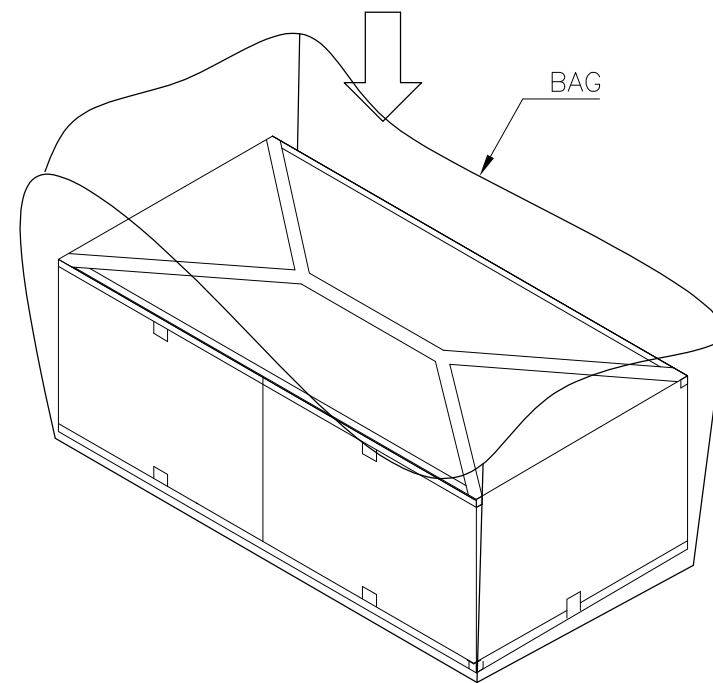
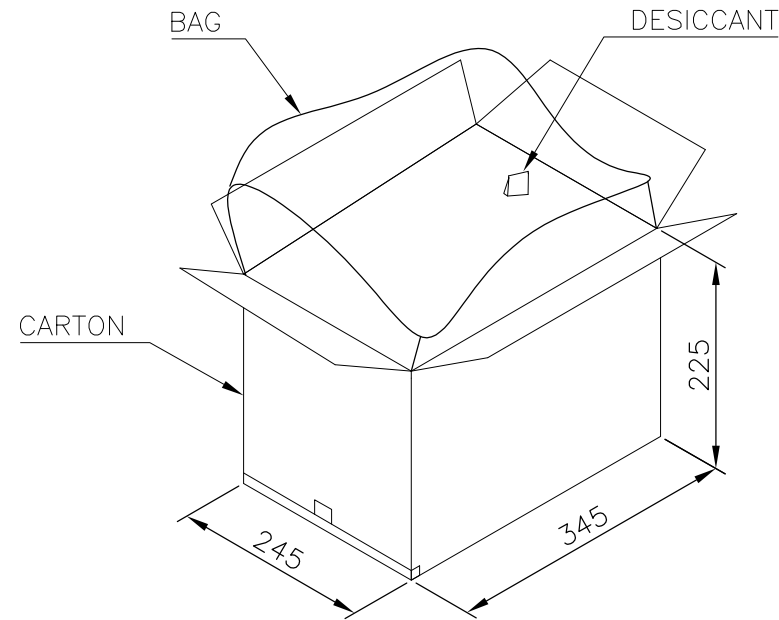
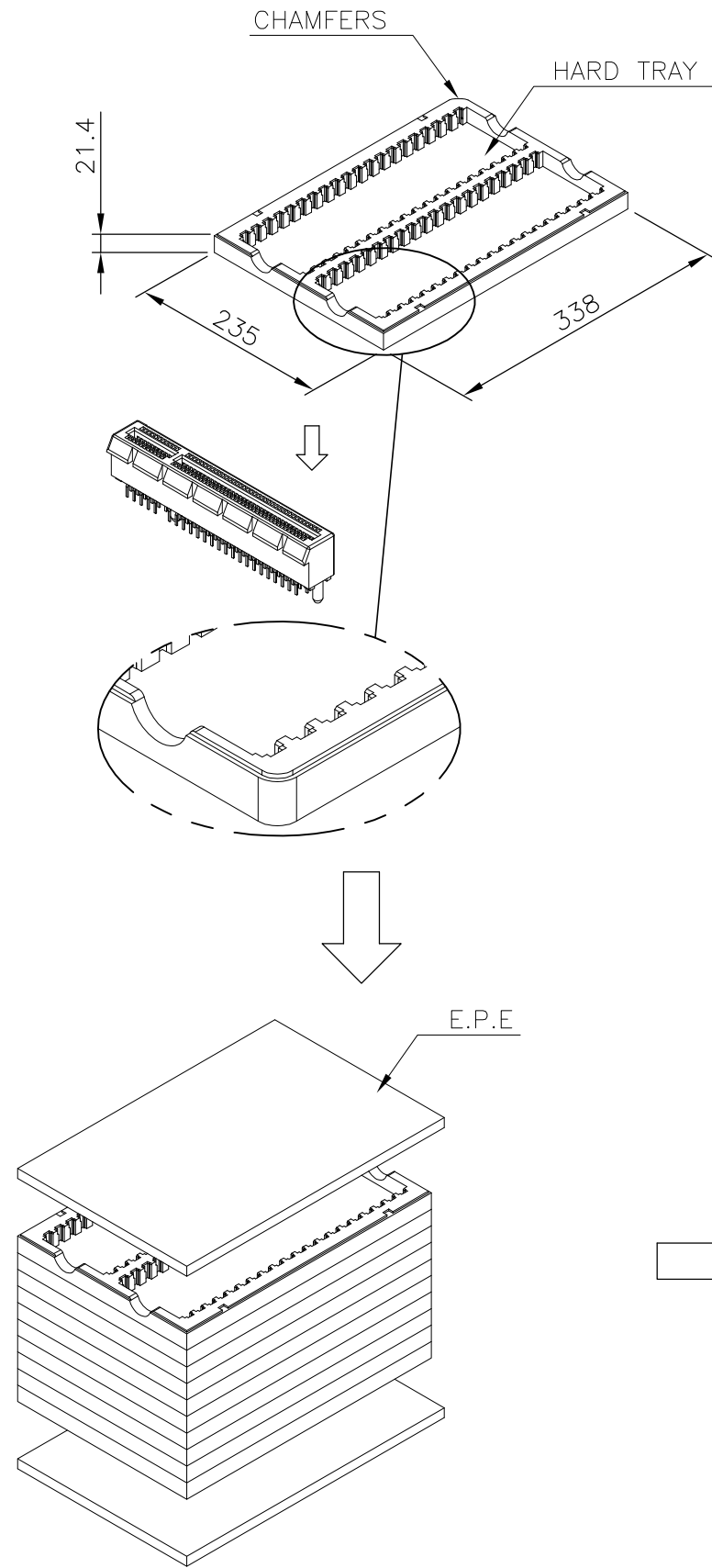
CARTON: CORRUGATED FIBER

BOX: CORRUGATED FIBER

TRANSPARENT BAG: PE, SIZE: 500mm*380mm*0.06mm
640mm*510mm*0.06mm

2. EACH BAG SHALL BE INCLUDED:

- * DESICCANT



| | | | | | | |
|--------------|------------|-----------|--------------|-------------|----------|-----|
| 11.5 Kg | 7.0 Kg | 40 | 10 | 2 | 800 | 164 |
| GROSS WEIGHT | NET WEIGHT | PCS/ TRAY | TRAY/ CARTON | CARTON/ BOX | PCS/ BOX | POS |

THIS DRAWING IS A CONTROLLED DOCUMENT.

| DIMENSIONS: | | TOLERANCES UNLESS OTHERWISE SPECIFIED: | |
|-------------|-------|--|---|
| mm | | | |
| | 0 PLC | ± | - |
| | 1 PLC | ± | - |
| | 2 PLC | ± | - |
| | 3 PLC | ± | - |
| | 4 PLC | ± | - |
| ANGLES | | ± | - |
| MATERIAL | | FINISH | |
| - | | - | |

| | | |
|------------------|-----------|-----------|
| DWN | B. HSING | 21MAY2009 |
| CHK | S. CHIEN | 21MAY2009 |
| APVD | W. KODAMA | 21MAY2009 |
| PRODUCT SPEC | - | |
| APPLICATION SPEC | - | |
| WEIGHT | 0 | |
| CUSTOMER DRAWING | | |

| | | | | | | |
|-----------|-----------|------------|---------------|---|-------|--|
| | | | | TE Connectivity | | |
| | | | | NAME PCI EXPRESS CARD EDGE CONNECTOR VERTICAL, DIP TYPE,(BOARD-LOCK FUNCTION) | | |
| SIZE | CAGE CODE | DRAWING NO | RESTRICTED TO | | | |
| A3 | 00779 | C-1775801 | - | | | |
| SCALE 1:1 | | | SHEET 4 OF 4 | | REV D | |

X-ON Electronics

Largest Supplier of Electrical and Electronic Components

Click to view similar products for [PCI Express/PCI Connectors](#) category:

Click to view products by [TE Connectivity](#) manufacturer:

Other Similar products are found below :

[UEX220-6U](#) [10039755-10110TLF](#) [1-1871239-2](#) [2170560-2](#) [10125756-980000LF](#) [EB220-3U](#) [10061913-120PLF](#) [GPCP146400111HR](#)
[205058-1001](#) [GPCP442628110HR](#) [GPCP446200120HR](#) [GPCP245400111HR](#) [10082378-10000TLF](#) [87715-9256](#) [MDT580M03001](#)
[0877159107](#) [MDT580M01001](#) [10018783-11000MLF](#) [10018783-11101TLF](#) [10108777-10000ALF](#) [10141523-111T0LF](#) [10145445-10003MLF](#)
[PSASF2130311TR](#) [PSASF3130411TR](#) [PSASF3130131TR](#) [7-1734774-7](#) [3-1761465-1](#) [10018784-10111TLF](#) [10039755-10111TLF](#) [10039755-](#)
[10112TLF](#) [10018783-10211TLF](#) [10018784-10211TLF](#) [10018784-10212TLF](#) [1761465-2](#) [1871058-1](#) [5-1761465-4](#) [10018783-10200MLF](#)
[10018783-10213TLF](#) [10018784-10210TLF](#) [10018784-11113TLF](#) [10025026-10001TLF](#) [5145154-8](#) [1871058-4](#) [2041119-2](#) [10018783-](#)
[10212TLF](#) [10018784-10102TLF](#) [10018783-11200TLF](#) [SM3ZS067U215-NUT1-R2500](#) [10123371-001TRLF](#) [10018784-10110TLF](#)