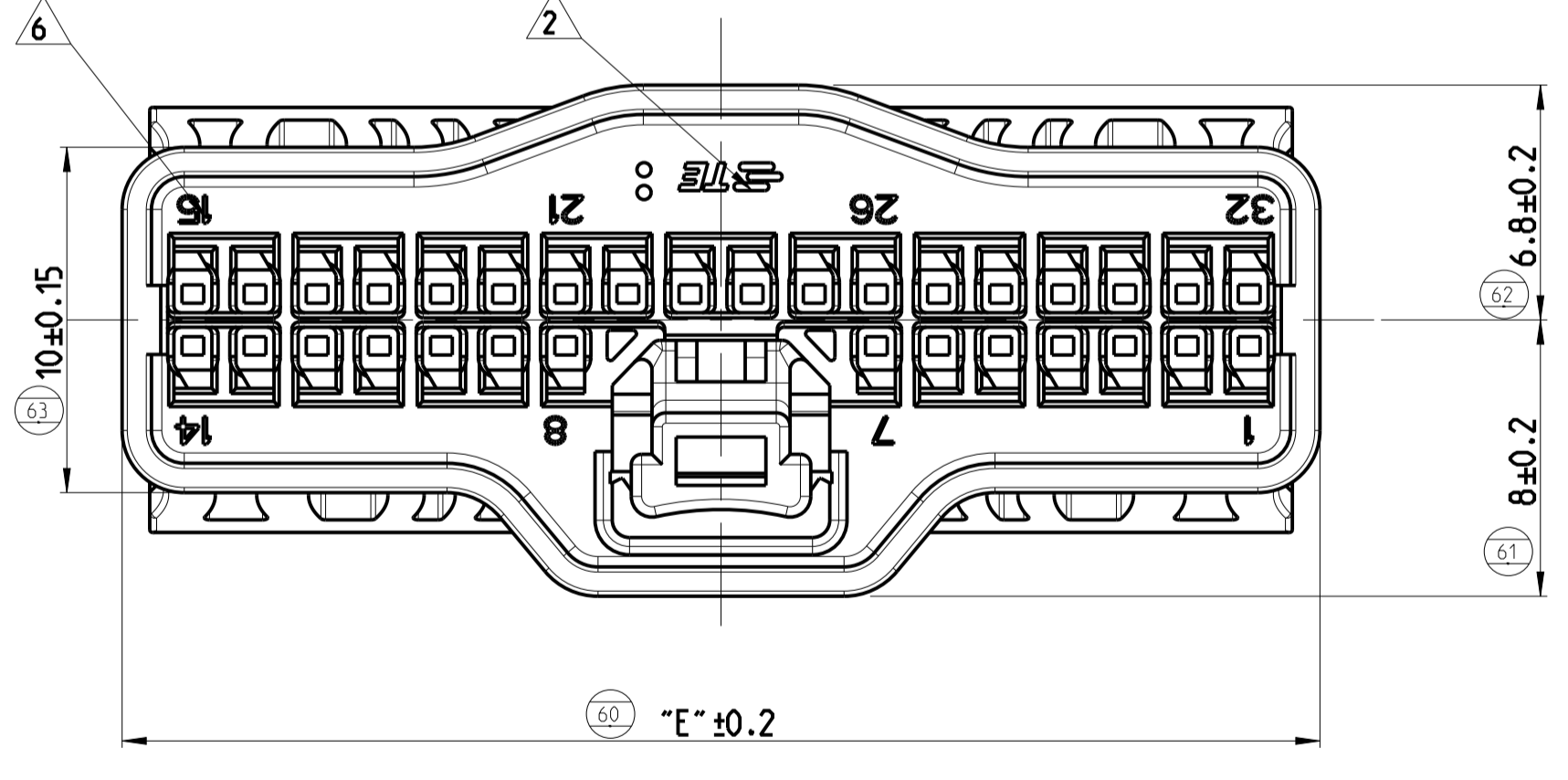
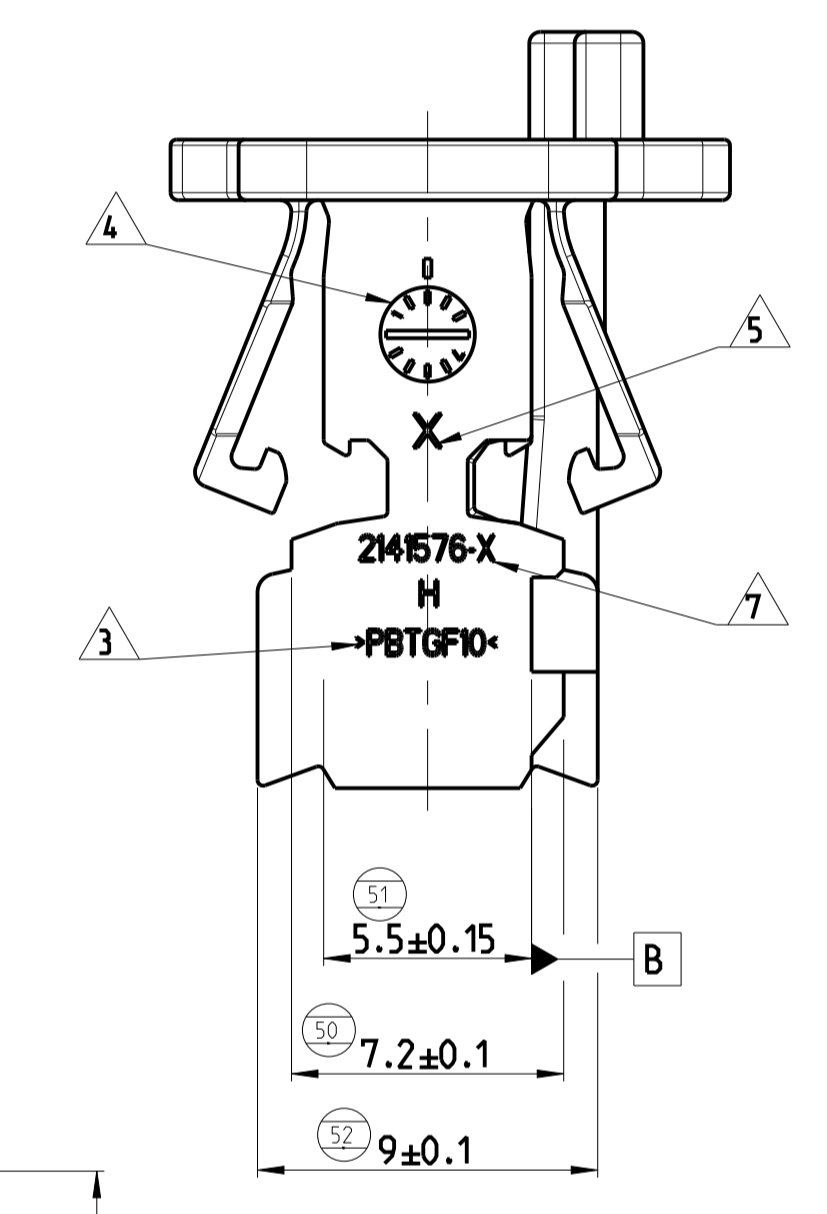
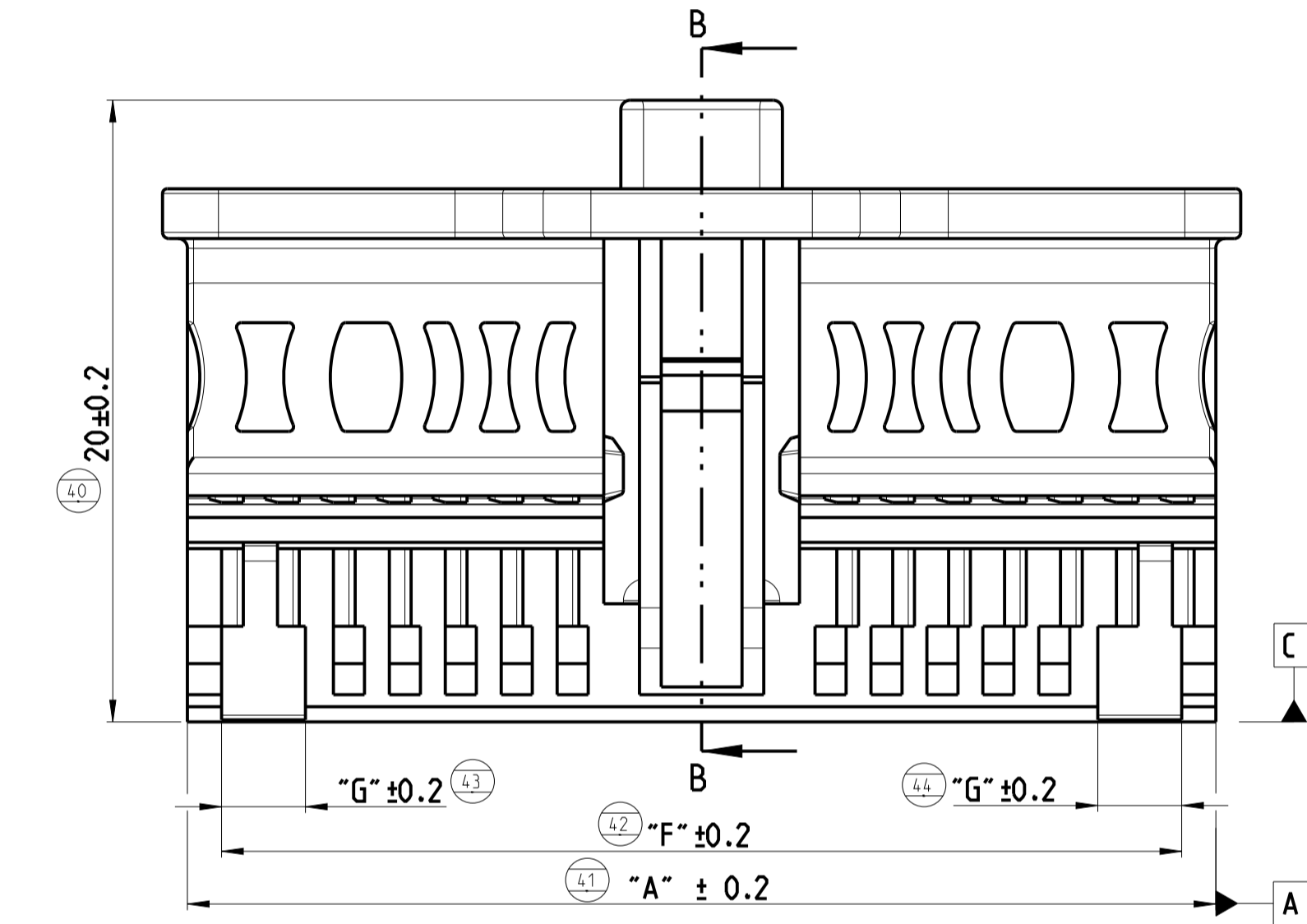
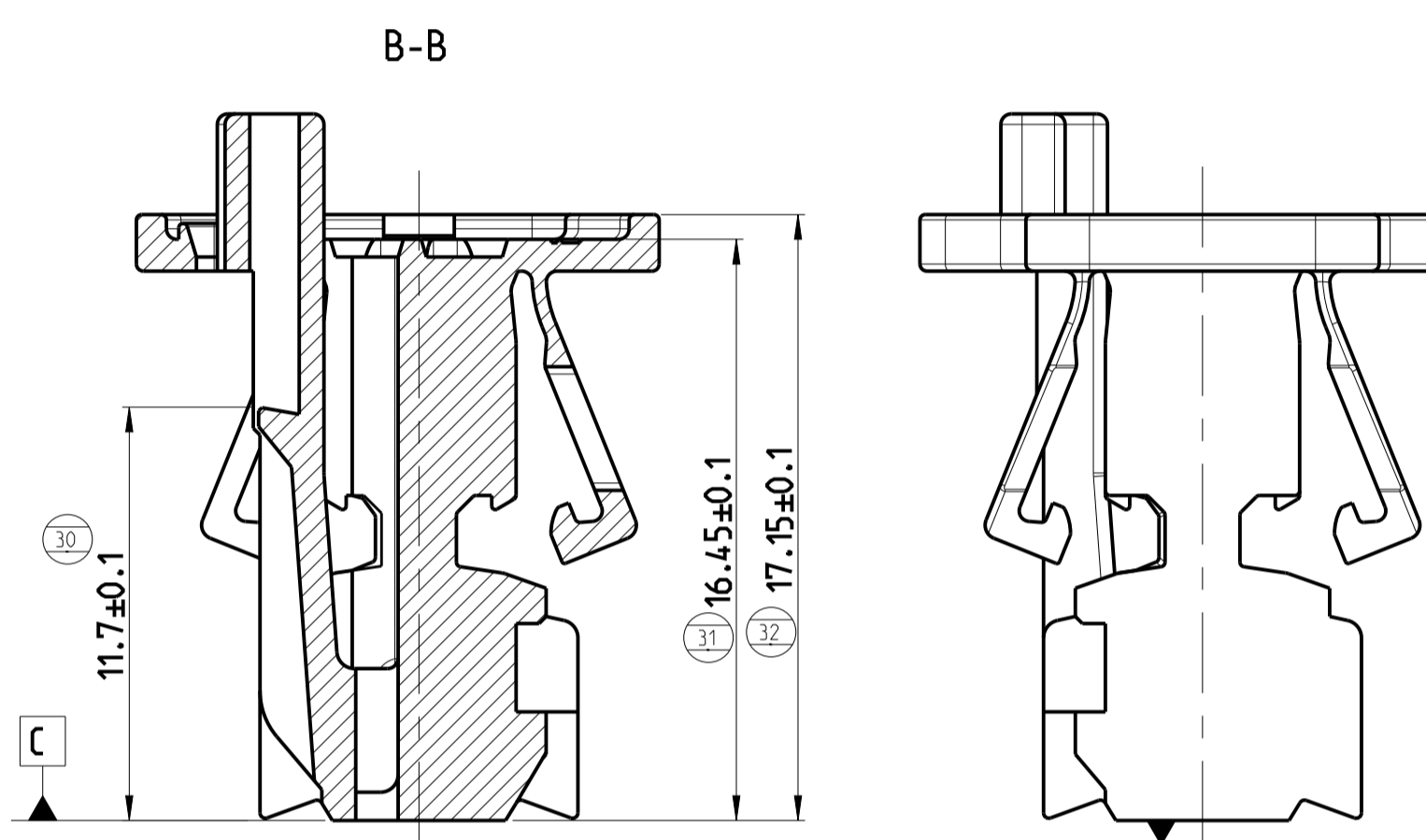
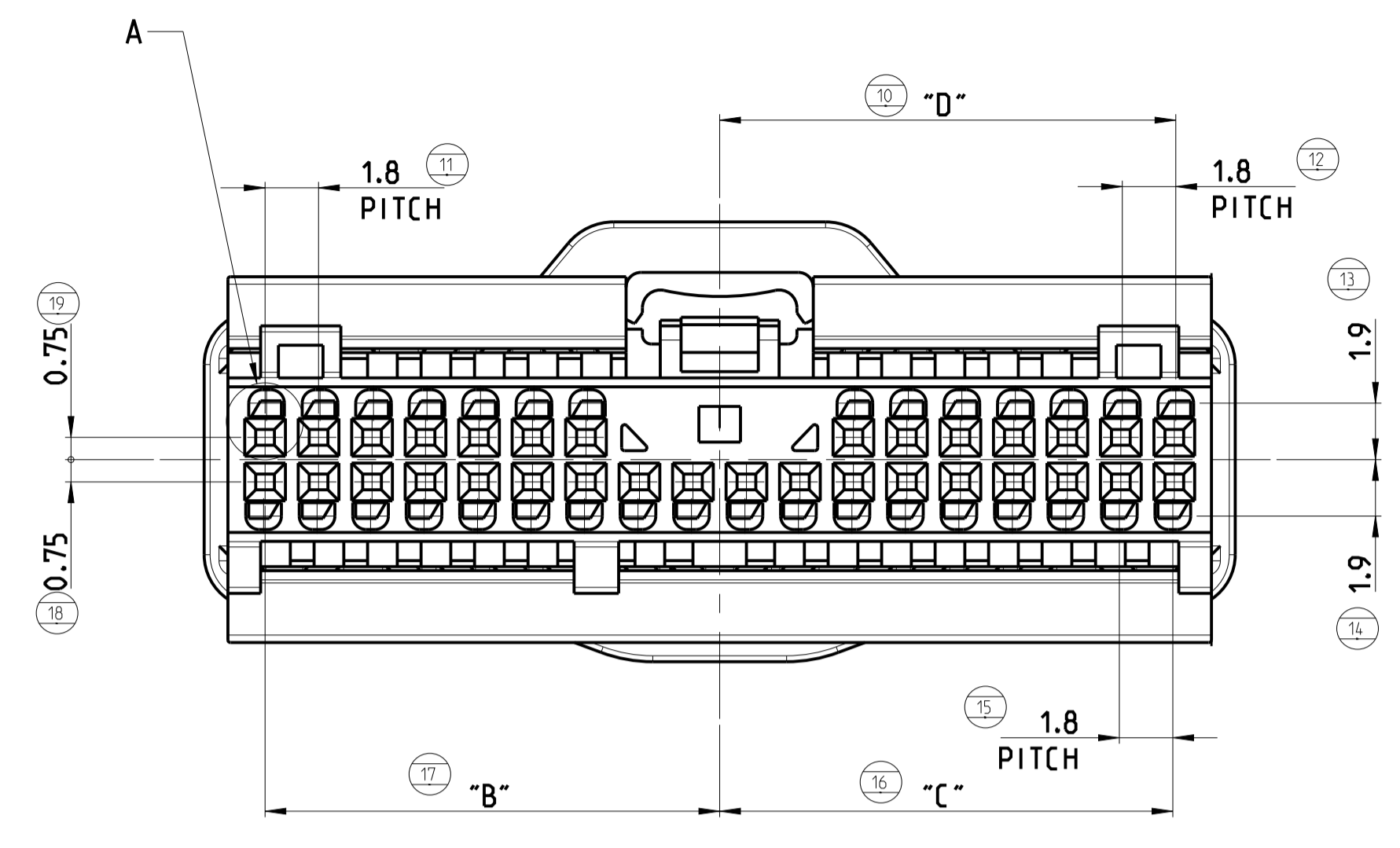
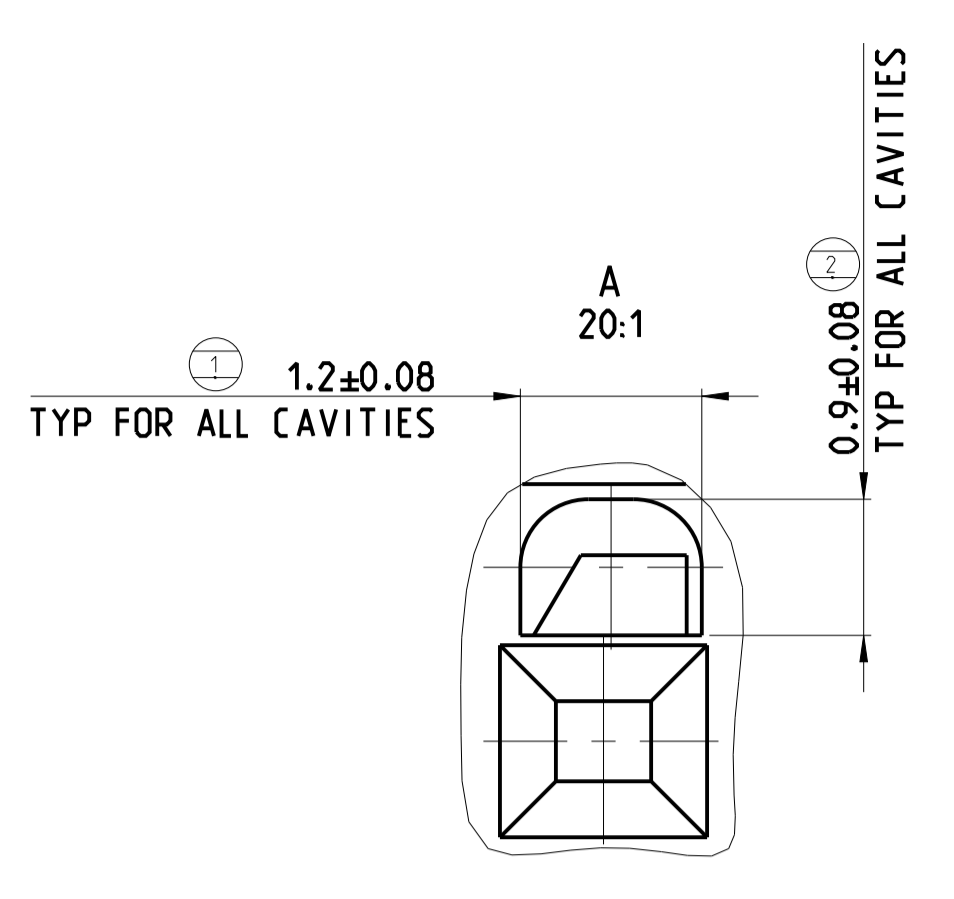


LOC	DIST	REVISIONS					
A1	-	P	LTR	DESCRIPTION	DATE	DWN	APVD
		H1		Add new column "SIMILAR RAL" and Note 8	19JAN2016	Ho.	Scho
		H2		Remark at coding C deleted	05MAR2018	HO.	SCHO
		J		Colors changed	20SEP2018	BREN	SCHO
		J1		COLOR CHANGE to as-is from NATURAL to BEIGE	18FEB2021	MAH.	SCHO



### CODING

<p>CODING "A" FOR RECEPTACLE CONNECTORS 12, 20 AND 32 POS P/N XXXXXXX-1</p> <p>SCALE 2:1</p>	<p>CODING "A" FOR RECEPTACLE CONNECTOR 8 POS P/N 2177586-1</p> <p>SCALE 2:1</p>
<p>CODING "B" FOR RECEPTACLE CONNECTORS 12, 20 AND 32 POS P/N XXXXXXX-2</p> <p>SCALE 2:1</p>	<p>CODING "B" FOR RECEPTACLE CONNECTOR 8 POS P/N 2177586-2</p> <p>SCALE 2:1</p>
<p>CODING "C" FOR RECEPTACLE CONNECTORS 12, 20 AND 32 POS P/N XXXXXXX-3</p> <p>SCALE 2:1</p>	<p>CODING "C" FOR RECEPTACLE CONNECTOR 8 POS P/N 2177586-3</p> <p>SCALE 2:1</p>
<p>CODING "D" FOR RECEPTACLE CONNECTORS 12, 20 AND 32 POS P/N XXXXXXX-4</p> <p>SCALE 2:1</p>	<p>CODING "D" FOR RECEPTACLE CONNECTOR 8 POS P/N 2177586-4</p> <p>SCALE 2:1</p>

SKETCH SCALE 1:1																
NUMBER OF POS.	32 POS				20 POS				12 POS				8 POS			
CONNECTOR PART NUMBER	2141576-X				2177588-X				2177587-X				2177586-X			
PART REVISION	-1	-2	-3	-4	-1	-2	-3	-4	-1	-2	-3	-4	-1	-2	-3	-4
COLOR	BLACK	BEIGE	GREY	BLACK	BLACK	BEIGE	GREY	BLACK	BLACK	BEIGE	GREY	BLACK	BLACK	BEIGE	GREY	BLACK
SIMILAR RAL	9011	1015	7032	9011	9011	1015	7032	9011	9011	1015	7032	9011	9011	1015	7032	9011
MATERIAL	PBT GF10				PBT GF10				PBT GF10				PBT GF10			
DIM "A"	33.1				22.3				15.1				11.5			
DIM "B"	15.3				9.9				6.3				4.5			
DIM "C"	15.25				9.85				6.25				4.45			
DIM "D"	15.35				9.95				6.35				4.55			
DIM "E"	34.7				23.9				16.7				13.1			
DIM "F"	30.9				20.1				12.9				9.3			
DIM "G"	2.7				2.1				1.7				1.5			
GENERIC INTERFACE PART NUMBER	114-20160-150				114-20160-90				114-20160-60				114-20160-40			

- CONNECTORS SUITABLE FOR Nano MQS CONTACT FAMILY P/N X-1703930-X WIRE SEC. 0.14 + 035 mm<sup>2</sup>. MAX INSULATION DIAMETER 1.3mm
- TE TRADEMARK
- IDENTIFICATION AND MARKING OF POLYMER MATERIAL
- DATE CODE
- MOULD CAVITY IDENTIFICATION
- CONTACT CAVITY IDENTIFICATION NUMBERS
- P/N & REVISION, DASH NUMBER AND REVISION LETTER
- MATING PART SEE 114-94160

THIS DRAWING IS A CONTROLLED DOCUMENT.

DIMENSIONS: mm	TOLERANCES UNLESS OTHERWISE SPECIFIED:	DWN A.BRICCARELLO 05DEC2011	APVD M.GURLINDO 05DEC2011
	0 PLC ±0.3	NAME NANO MQS TOP LATCH PLUG CONNECTOR FAMILY LS LINE - MARKET SERIES	
	1 PLC ±0.1	SIZE CAGE CODE DRAWING NO RESTRICTED TO	
	2 PLC ±0.05	A1 00779 C=2141576	
	3 PLC ±	SCALE 5:1 SHEET 1 OF 1 REV J1	
	4 PLC ±	CUSTOMER DRAWING	
MATERIAL SEE TABLE	FINISH	WEIGHT	

## X-ON Electronics

Largest Supplier of Electrical and Electronic Components

*Click to view similar products for [Automotive Connectors](#) category:*

*Click to view products by [TE Connectivity](#) manufacturer:*

Other Similar products are found below :

[003-018-000](#) [60403001](#) [60993906-B](#) [M902-2131](#) [M902-2161](#) [72.330.1035.1](#) [73.353.4028.0](#) [F119300-B](#) [F166900](#) [F258300-B](#) [F358300-B](#)  
[F407400](#) [F444110](#) [F487000](#) [F509500B-B](#) [827153-1](#) [8N1515-32-24P](#) [9-1326729-8](#) [925474-1](#) [928905-1](#) [964562-4](#) [968782-1](#) [GT17SA-8DS-](#)  
[HU](#) [98891-1012](#) [98947-1016](#) [12004147](#) [12004475-L](#) [12010290](#) [12010309-B](#) [12015454](#) [12020219-B](#) [12020308](#) [12041318-B](#) [12052225-L](#)  
[12052466](#) [12059125](#) [12064869](#) [12004327-B](#) [12010503-B](#) [12015308](#) [12015384](#) [12015909](#) [1-21030-1](#) [12041254](#) [12041318](#) [12047946-B](#)  
[12047957](#) [12047957-L](#) [12059473](#) [12066261](#)