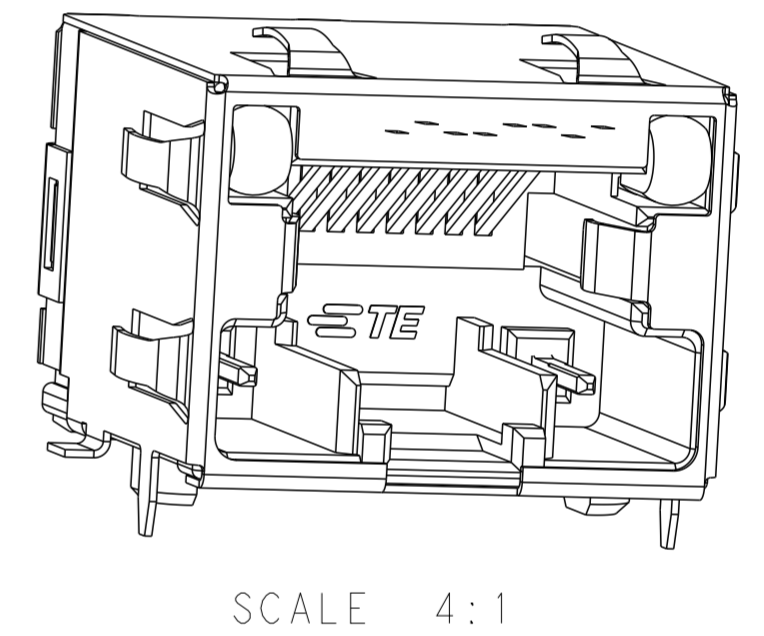
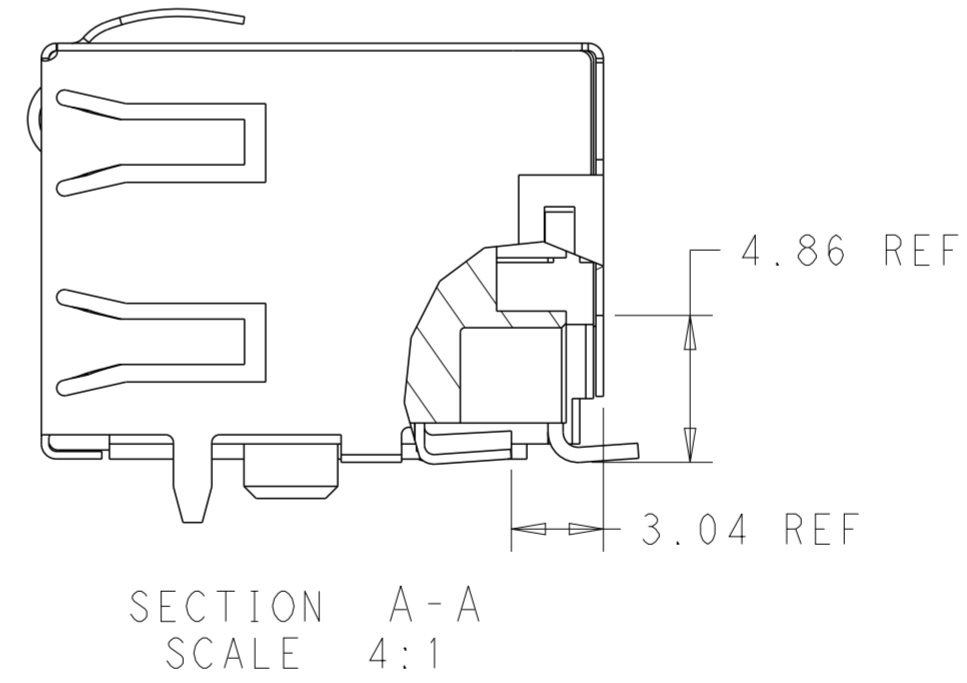
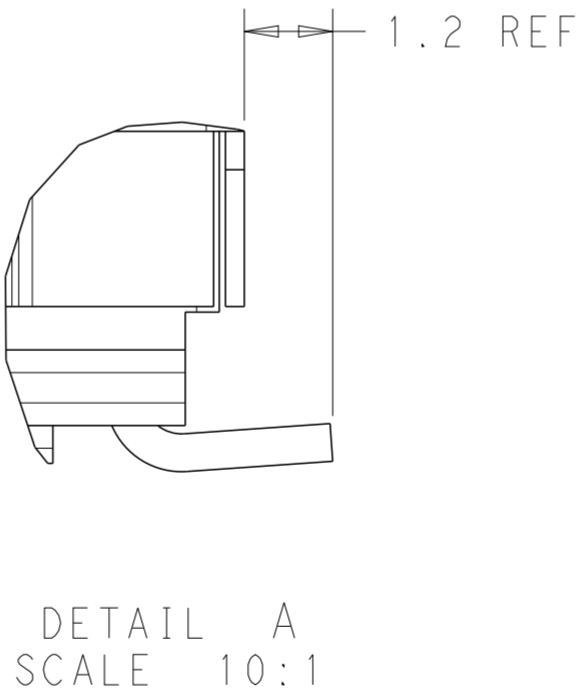
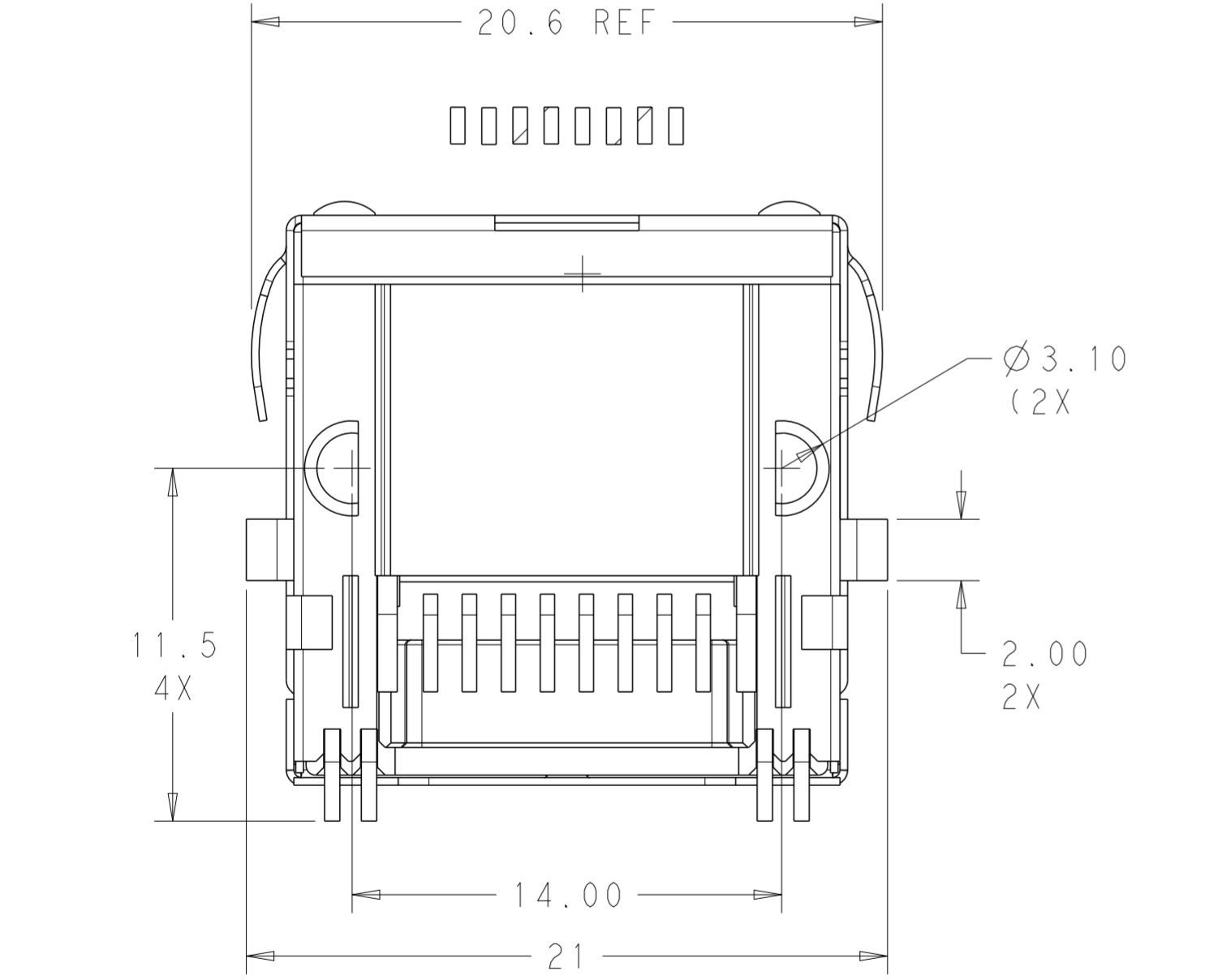
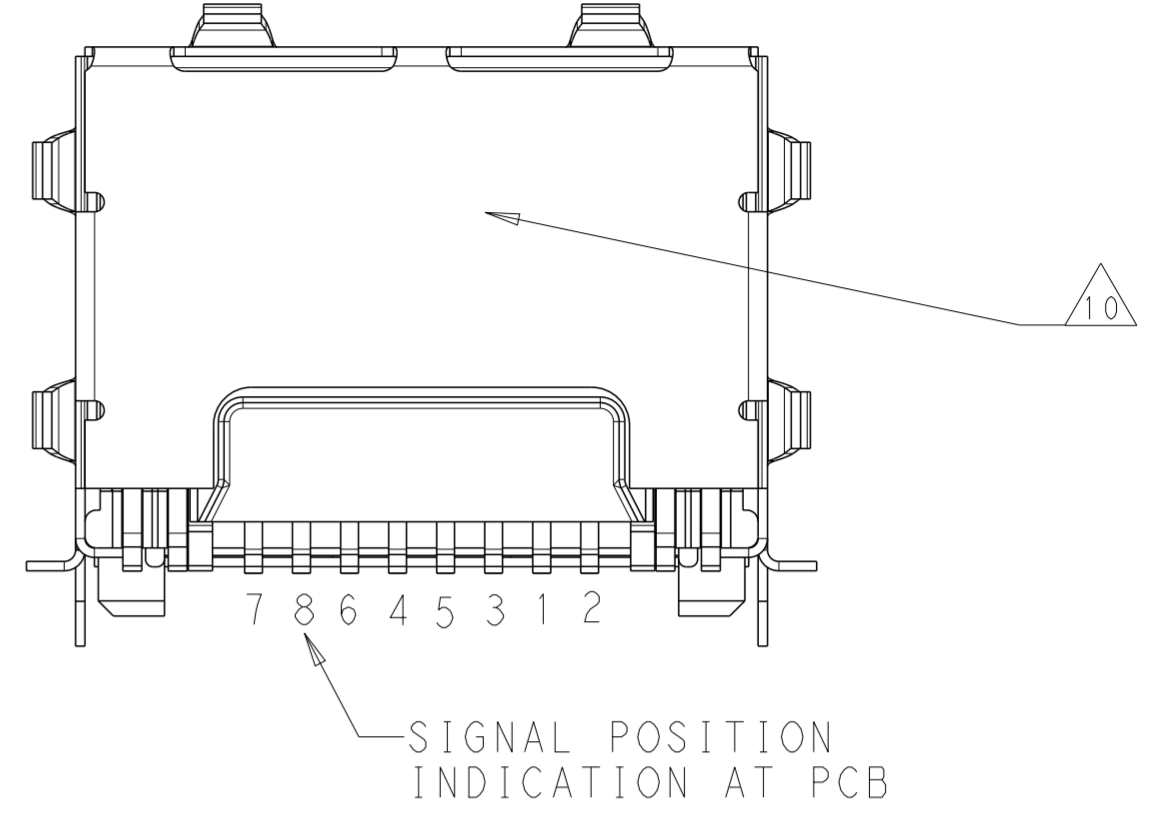
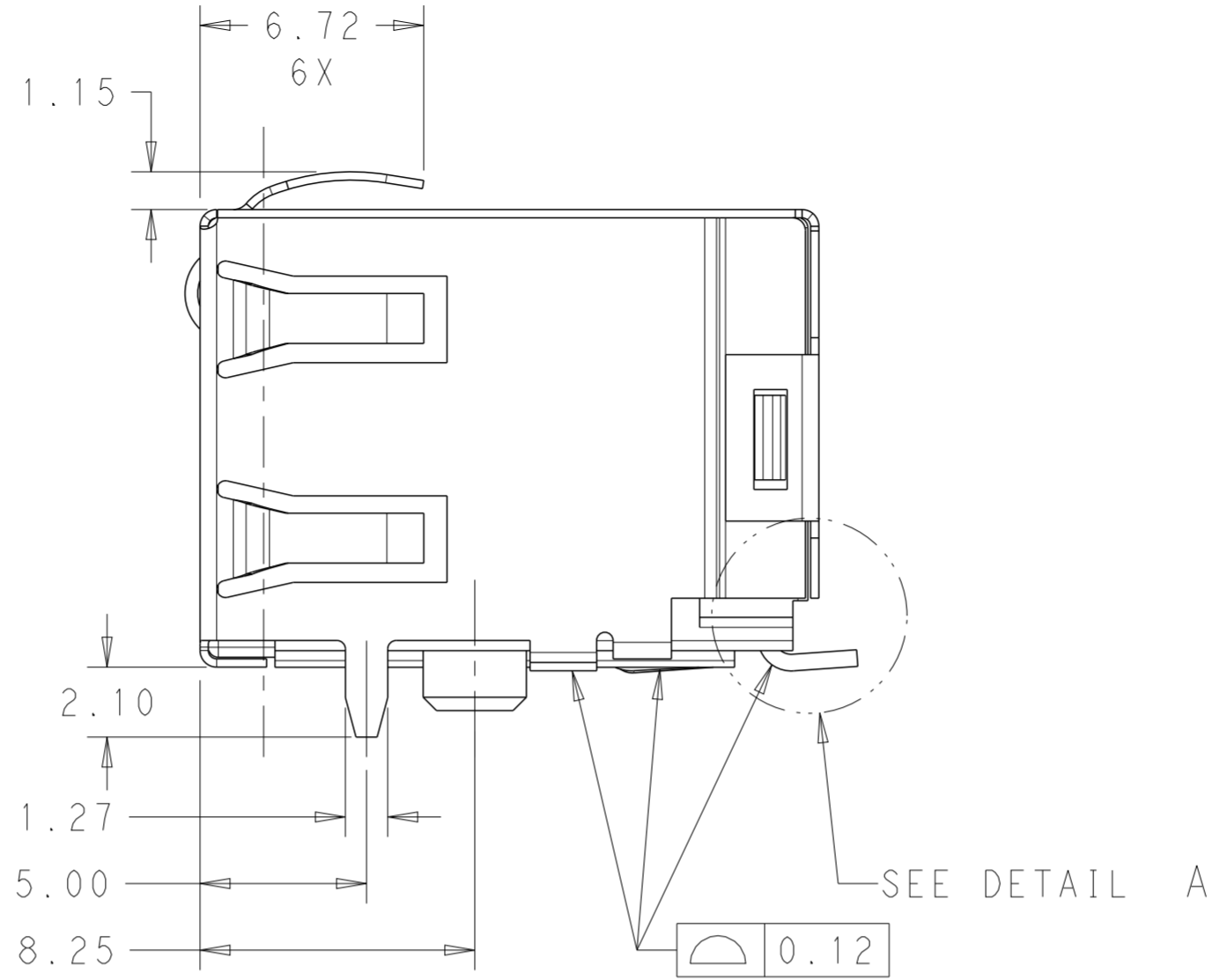
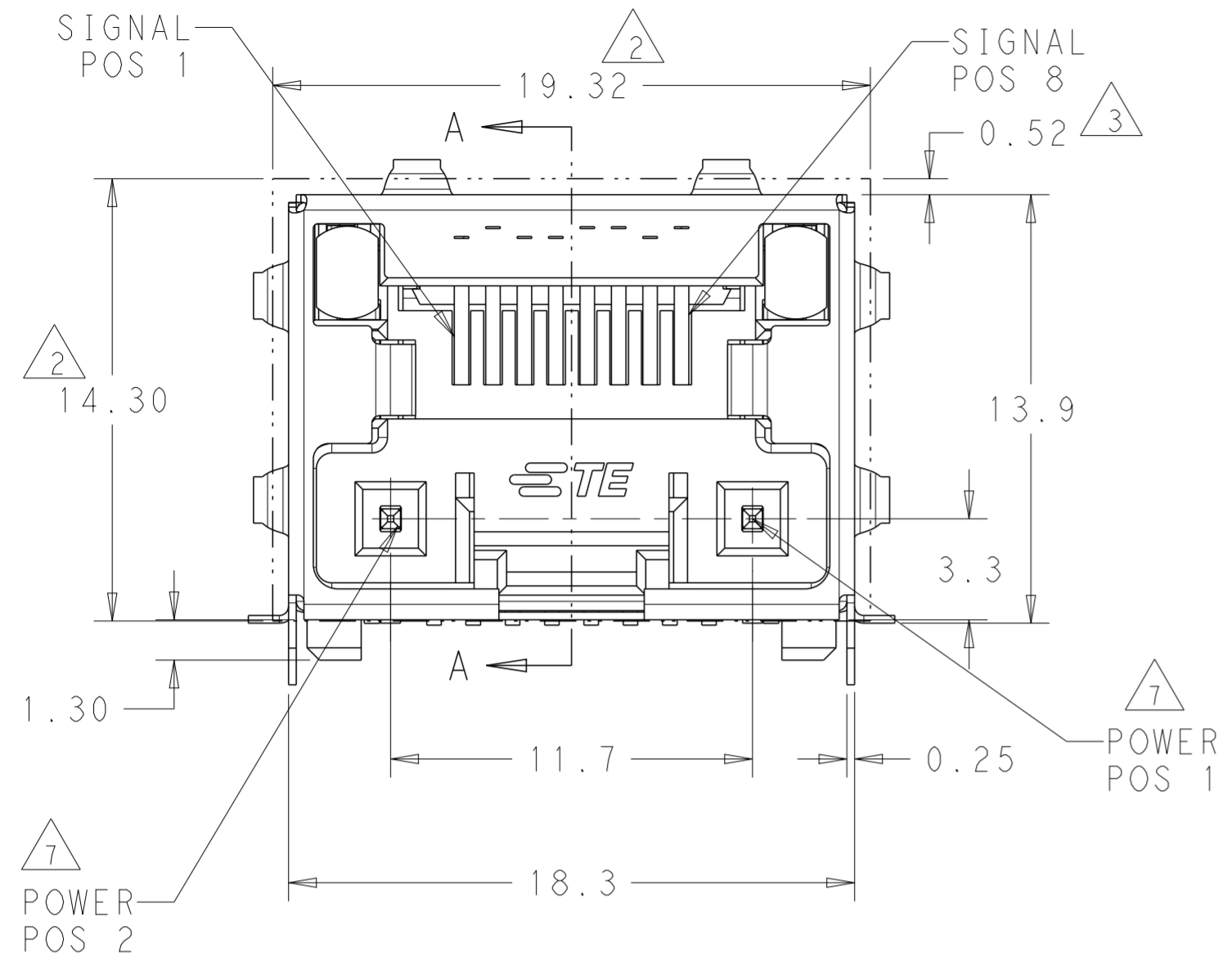


LOC		DIST		REVISIONS			
P	LTR	DESCRIPTION	DATE	DWN	APVD		
AI	-	A	05AUG2019	PP	JdB		
-	-	-	-	-	-		
-	-	-	-	-	-		

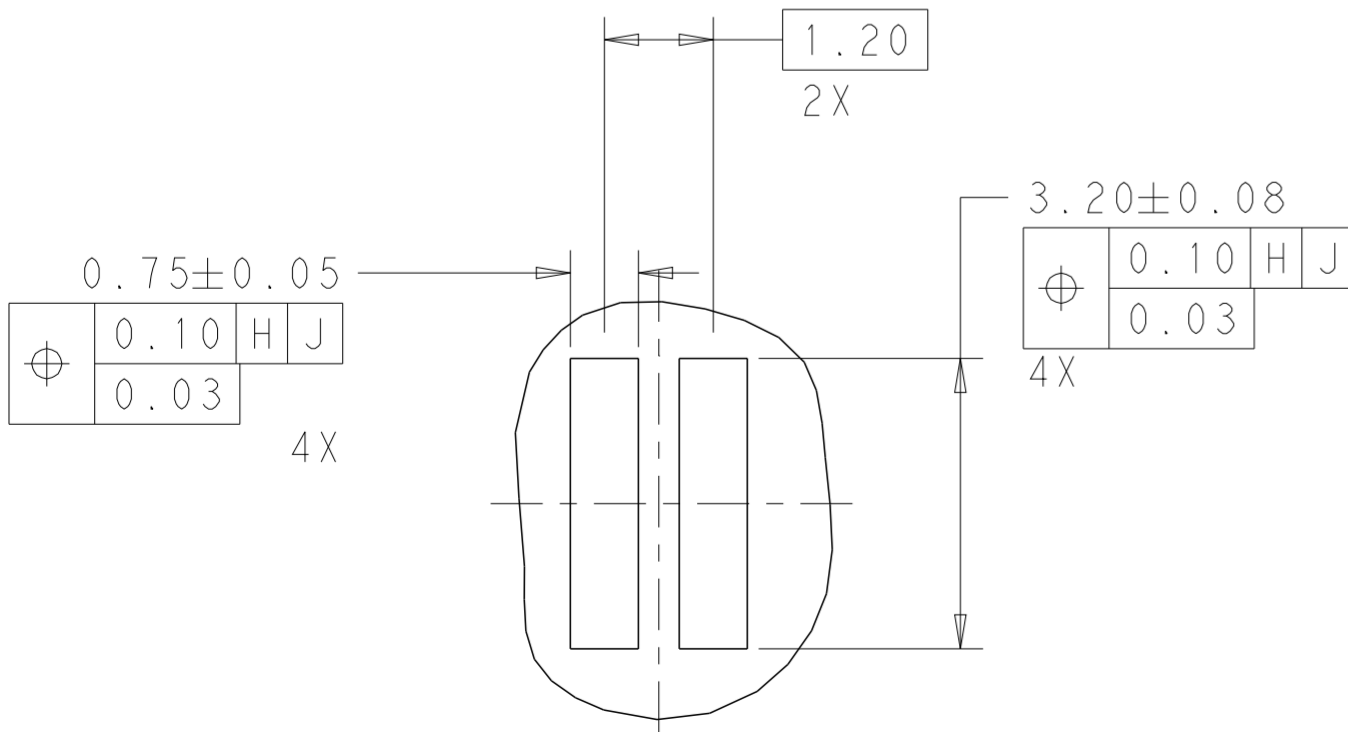
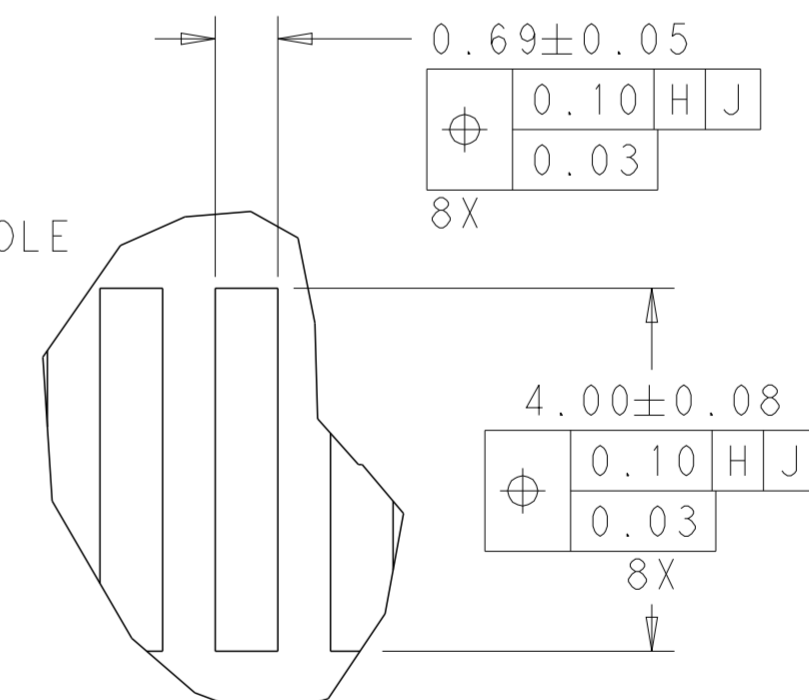
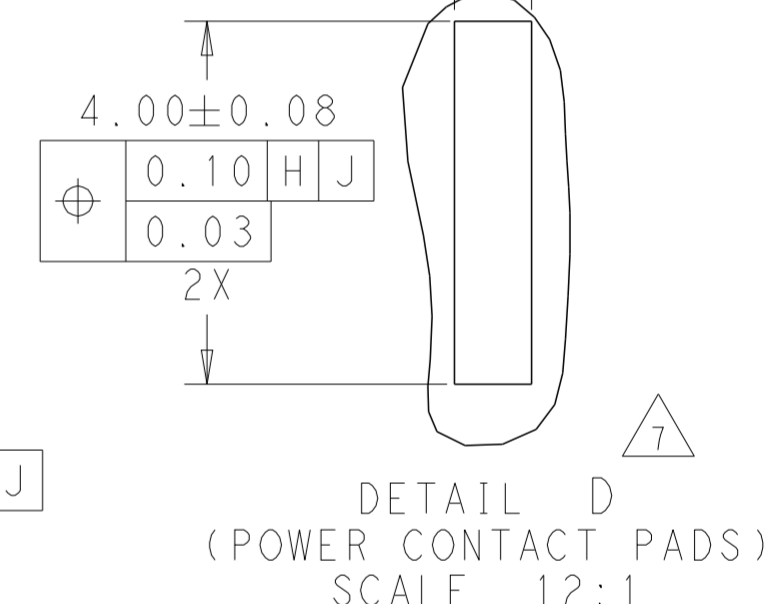
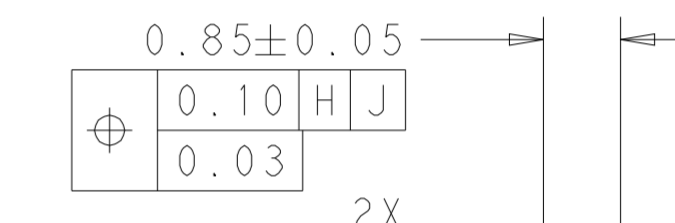
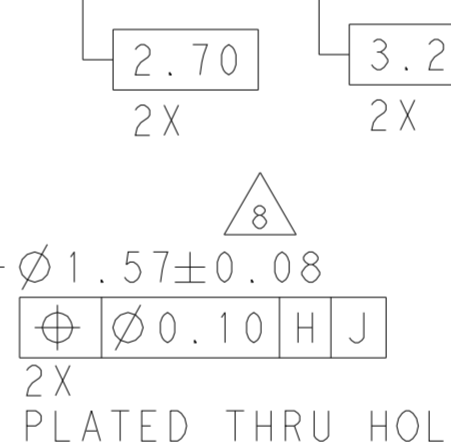
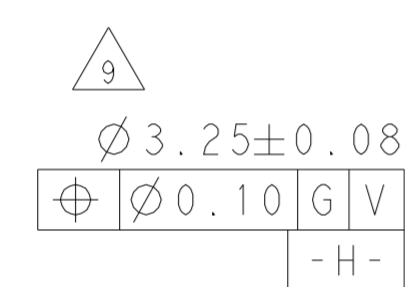
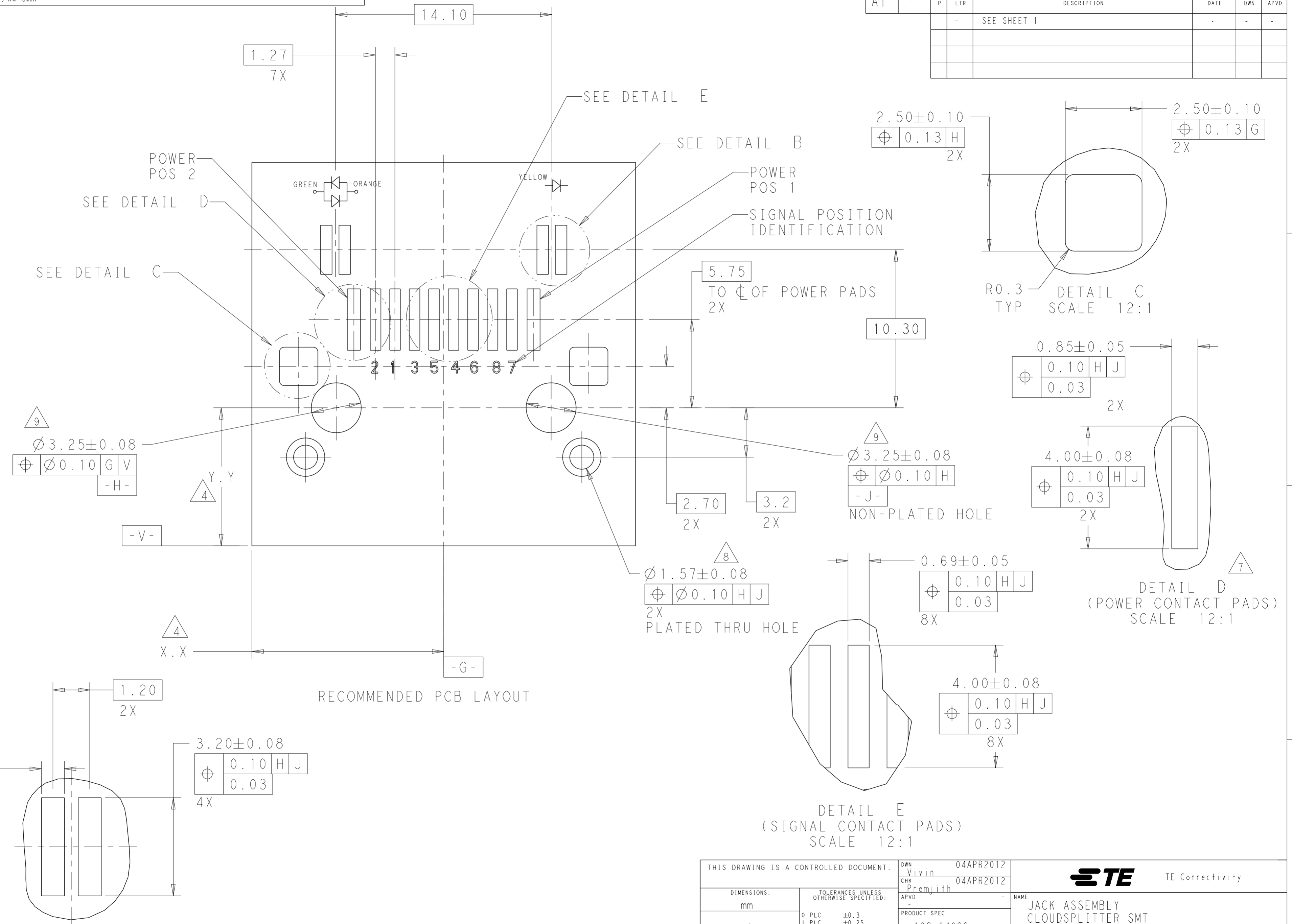


COPLANARITY AT HEALS OF LED, POWER, DATA AND SHIELD CONTACT (16X)

JACK ASSEMBLY W/O POWER CONTACTS	2178126-2
JACK ASSEMBLY W/POWER CONTACTS	2178126-1
DESCRIPTION	PART NUMBER

THIS DRAWING IS A CONTROLLED DOCUMENT.		DWN: Vivin 04APR2012	STE TE Connectivity	
		CHK: Premjith 04APR2012		
DIMENSIONS: mm	TOLERANCES UNLESS OTHERWISE SPECIFIED:	APVD: -	NAME: JACK ASSEMBLY CLOUDSPLITTER SMT	
0 PLC ±0.3	1 PLC ±0.25	PRODUCT SPEC: 108-64022	SIZE: A2	CAGE CODE: 00779
2 PLC ±0.13	3 PLC ±	APPLICATION SPEC: 114-32051	DRAWING NO: C-2178126	RESTRICTED TO: -
4 PLC ±	ANGLES ±1°	WEIGHT: -	SCALE: 8:1	SHEET: 1 OF 3
MATERIAL: -	FINISH: -	Customer Drawing	REV: A	

LOC	DIST	REVISIONS			
P	LTR	DESCRIPTION	DATE	DWN	APVD
AI	-	SEE SHEET 1	-	-	-



DETAIL B
SCALE 12:1

DETAIL E
(SIGNAL CONTACT PADS)
SCALE 12:1

DETAIL D
(POWER CONTACT PADS)
SCALE 12:1

RECOMMENDED PCB LAYOUT

THIS DRAWING IS A CONTROLLED DOCUMENT.		DWN	04APR2012	
		CHK	Premjith 04APR2012	
		APVD	-	
DIMENSIONS:		PRODUCT SPEC		
mm		108-64022		
		APPLICATION SPEC		
		114-32051		
MATERIAL		WEIGHT		
-		-		
TOLERANCES UNLESS OTHERWISE SPECIFIED:		NAME		
0 PLC	±0.3	JACK ASSEMBLY		
1 PLC	±0.25	CLOUDSPLITTER SMT		
2 PLC	±0.13	SIZE	CAGE CODE	DRAWING NO
3 PLC	±	A2	00779	C-2178126
4 PLC	±	RESTRICTED TO		
ANGLES	±1°	-		
FINISH		SCALE 8:1 SHEET 2 OF 3 REV A		



LOC	DIST	REVISIONS					
		P	LTR	DESCRIPTION	DATE	DWN	APVD
AI	-	-	-	SEE SHEET 1	-	-	-

NOTES:
 1. MATERIAL AND FINISH:
 - HOUSING: GF HIGH TEMP THERMOPLASTIC, COLOR: BLACK
 - CONTACTS: COPPER ALLOY
 FINISH: 3.8µm MIN MATTE TIN IN SOLDER AREA
 1.27µm MIN GOLD IN INTERFACE AREA (SIGNAL CONTACTS)
 0.76µm MIN GOLD IN INTERFACE AREA (POWER CONTACTS)
 OVER 1.27µm NICKEL UNDERPLATE
 - SHIELD: COPPER-ZINC ALLOY
 FINISH: 2.03µm MATTE TIN OVER 1.27µm MIN NICKEL
 - LED: DIFFUSED EPOXY LENS
 CARBON STEEL WIRE LEADS
 FINISH: 8.89µm TIN/COPPER OVER 2.03µm SILVER OVER
 1.02µm COPPER OVER 3.56µm NICKEL

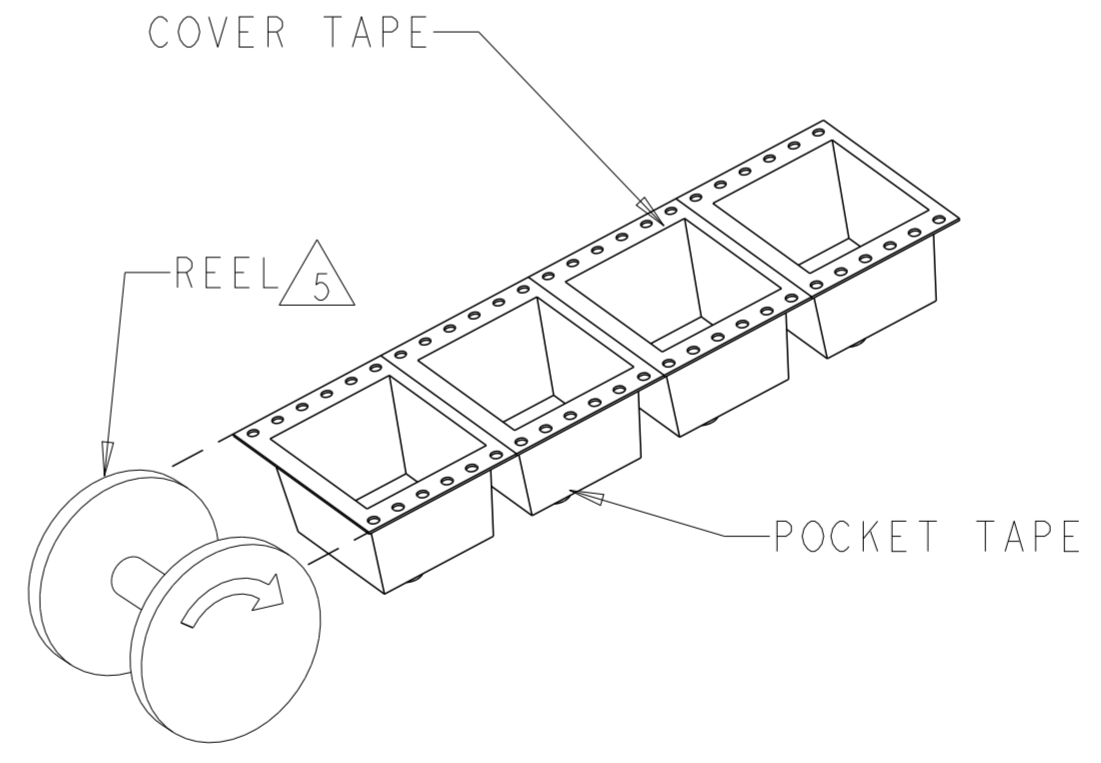
- 2. SUGGESTED PANEL OPENING DIMENSIONS.
- 3. SUGGESTED CLEARANCE BETWEEN TOP OF CONNECTOR AND TOP PANEL OPENING.
- 4. DATUM ESTABLISHED BY CUSTOMER.
- 5. PACKAGED: POCKET TAPE & REEL (PER EIA 481 SPEC)
 POCKET TAPE WIDTH - 44mm
 POCKET PITCH - 32mm
 POCKET DEPTH - 18mm

 CLEAR COVER TAPE, PSA
 CLEAR COVER TAPE TRAILER - 610mm, WRAPPED ON REEL HUB

 PLASTIC REEL - 381mm DIAMETER

 PRODUCT QUANTITY - 150 PIECES PER REEL

- 6. MUST COMPLY WITH DIRECTIVE 2002/95/EC (RoHS)
- 7. POWER CONTACT PADS NOT REQUIRED FOR 2178126-2 PART NUMBER
 POWER CONTACTS NOT POPULATED
- 8. PLATED THRU HOLE, FINISHED DIAMETER SHOWN
- 9. NON-PLATED HOLE, DRILL DIAMETER SHOWN
 IF PLATED FINISHED DIAMETER TO BE AS SHOWN
- 10. MANUFACTURING DATE CODE: FIRST 2 DIGITS REPRESENT YEAR, SECOND 2 DIGITS REPRESENT WORK WEEK, LAST DIGIT IS DAY OF THE WEEK



THIS DRAWING IS A CONTROLLED DOCUMENT.		DWN Vivin 04APR2012	STE TE Connectivity		
		CHK Premjith 04APR2012			
DIMENSIONS: mm	TOLERANCES UNLESS OTHERWISE SPECIFIED: 0 PLC ±0.3 1 PLC ±0.25 2 PLC ±0.13 3 PLC ± 4 PLC ± ANGLES ±1° FINISH	APVD -	NAME JACK ASSEMBLY CLOUDSPLITTER SMT		
		PRODUCT SPEC 108-64022	SIZE A2	CAGE CODE 00779	
		APPLICATION SPEC 114-32051	DRAWING NO C-2178126	RESTRICTED TO -	
		WEIGHT -	SCALE 8:1 SHEET 3 OF 3 REV A		
		Customer Drawing			

X-ON Electronics

Largest Supplier of Electrical and Electronic Components

Click to view similar products for [Modular Connectors / Ethernet Connectors](#) category:

Click to view products by [TE Connectivity](#) manufacturer:

Other Similar products are found below :

[8949-H88/06BLKA/SN](#) [74441-0010/BKN](#) [MP1010RX-1000](#) [MP44RX-1000](#) [PHJ-4P4C-1-V-4](#) [PHP-6P6C-5](#) [GAX-3-66](#) [GAX-8-62](#) [GDCX-PA-66-50](#) [GDCX-PN-64](#) [GDCX-PN-66](#) [GDCX-PN-66-50](#) [GDLX-A-66](#) [GDLX-N-66](#) [GDLX-S-66](#) [GDLX-S-88K](#) [GDTX-S-88-50](#) [GDX-PA-1010](#) [GLX-N-1010M-BLK](#) [GLX-S-88M-BLK](#) [GMX-N-1010](#) [GMX-S-1010](#) [GMX-S-66](#) [GMX-SMT4-N-88](#) [GPX-2-64](#) [GSGX-N-2-88](#) [GSGX-N-4-88](#) [GSX-NS2-88-3.05](#) [GSX-NS2-88-3.05-50](#) [GSX-NS-88-3.05-50](#) [PT-108A-8C-UL](#) [PT-J951-8C](#) [PTS-J531-8CS-50UL](#) [1-1775629-2](#) [A-2014-0-4](#) [GWLX-S-88-GR](#) [GWLX-S9-88-YG](#) [DC-1021-8-WH-6](#) [1300530003](#) [1324640-4](#) [RJ11FTVC2G](#) [RJ11FTVC2N](#) [RJFTVX2SA1G](#) [132764-001](#) [1413235](#) [MP88X-1000](#) [MPS88RX-5000](#) [E5288-S000K3-L](#) [E5908-15A242-L](#) [155302-001](#)