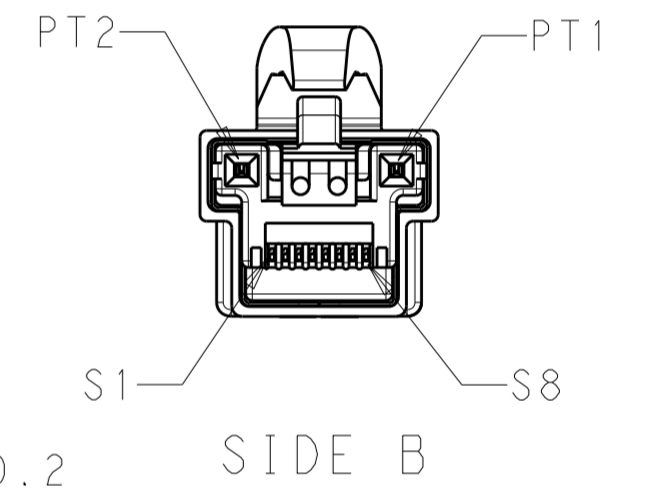
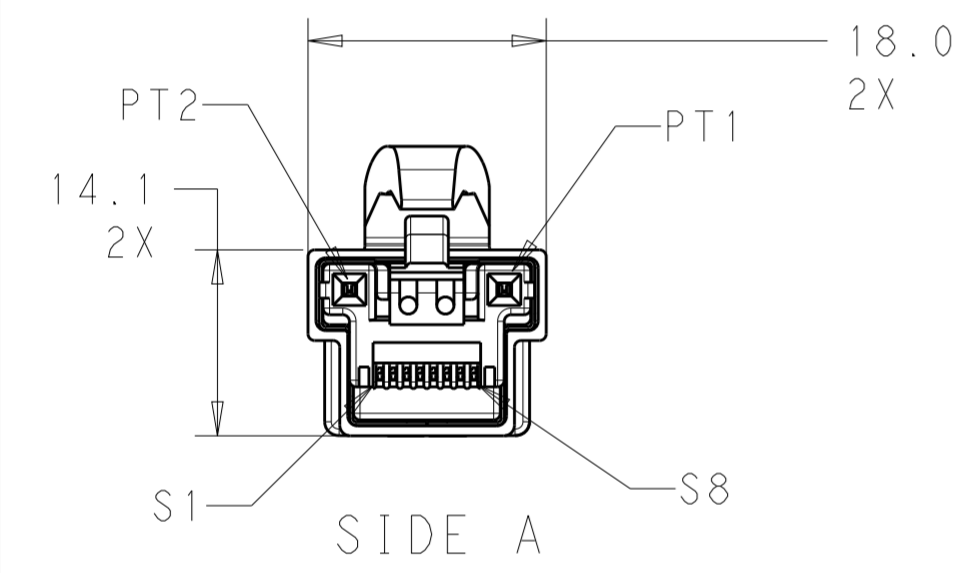
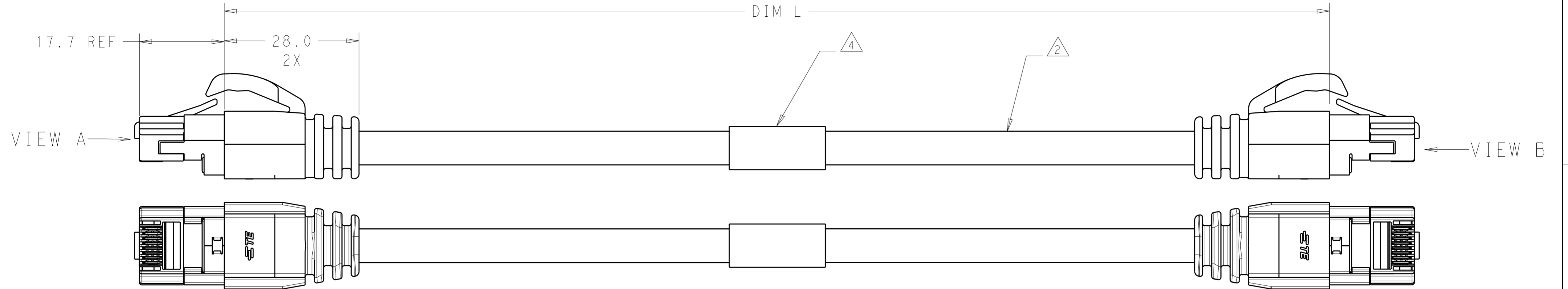


THIS DRAWING IS UNPUBLISHED. RELEASED FOR PUBLICATION 20  
 © COPYRIGHT 20 BY - ALL RIGHTS RESERVED.

LOC		DIST		REVISIONS			
P	LTR	DESCRIPTION	DATE	DWN	APVD		
B		NOTES 1, 2 CHANGED, PN 21781127-5 ADDED	25MAY2017	TB	MVD		
C		HOUSING COLOR CHANGED	08NOV2017	GCM	MVD		



NOTES:

- 1 MATERIALS AND FINISH:
  - HOUSING: PC, COLOR: CLEAR
  - CONTACTS: COPPER ALLOY  
FINISH: GOLD OVER NICKEL (SIGNAL CONTACTS)  
GOLD OVER NICKEL (POWER CONTACTS)
  - CONNECTOR SHIELD: COPPER-ZINC ALLOY  
FINISH: TIN OVER NICKEL
  - STRAIN RELIEF: TPV, COLOR: BLACK
- 2 CABLE SPECIFICATION:
  - JACKET: TPE/85 A (LSZH-FT2) COLOR: RAL9017 BLACK, OD 6.4±0.2
  - SIGNAL CONDUCTORS: 4 PAIR, 24AWG SOLID (NON-SHIELDED)
  - POWER CONDUCTORS: QTY 2, 18AWG STRANDED
  - MINIMUM BEND RADIUS: 35MM
  - -20 TO 75°C TEMPERATURE RANGE
  - CONDUCTOR ISOLATION: FR-PE

3. MUST COMPLY WITH DIRECTIVE 2002/95/EC (ROHS)

4 LABEL CONTENT AS FOLLOWS:



5. CAT5e PERFORMANCE NOT ATTAINABLE IN CERTAIN APPLICATIONS DUE TO NON-SHIELDED SIGNAL CONDUCTORS WITHIN CABLE

6 250M RAW CABLE (W/O CONNECTORS) ON REEL  
 PACKED IN CARTON BOX  
 420 X 420 X 340MM.

250000.0±5000.0	2178127-5
25000.0±250.0	2178127-4
10000.0±100.0	2178127-3
5000.0±50.0	2178127-2
2000.0±20.0	2178127-1
DIM "L"	PART NO.

SIGNAL WIRING DETAILS			
	COLOR	SIDE A	SIDE B
PAIR 2	WHITE/ORANGE STRIPE	1	1
	ORANGE	2	2
PAIR 3	WHITE/GREEN STRIPE	3	3
	BLUE	4	4
PAIR 4	WHITE/BLUE STRIPE	5	5
	GREEN	6	6
	WHITE/BROWN STRIPE	7	7
	BROWN	8	8

POWER CABLE CONNECTION			
	COLOR	SIDE A	SIDE B
	BLACK	PT1	PT1
	RED	PT2	PT2

THIS DRAWING IS A CONTROLLED DOCUMENT.

DIMENSIONS: mm	TOLERANCES UNLESS OTHERWISE SPECIFIED: 0 PLC ±0.2 1 PLC ±0.2 2 PLC ±0.13 3 PLC ± 4 PLC ± ANGLES ±3° FINISH	DWN: C. DAILY 18MAY2012 CHK: M. MOSTOLLER 18MAY2012 APVD: -	TE Connectivity CABLE ASSEMBLY, CLOUDSPLITTER UNSHIELDED CABLE	
MATERIAL: 1		PRODUCT SPEC: 108-64022 APPLICATION SPEC: 114-32099 WEIGHT: -	SIZE: A2 CAGE CODE: 00779 DRAWING NO: C-2178127	RESTRICTED TO: -
CUSTOMER DRAWING			SCALE: 7:4	SHEET 1 OF 1 REV C

## X-ON Electronics

Largest Supplier of Electrical and Electronic Components

*Click to view similar products for [Ethernet Cables / Networking Cables](#) category:*

*Click to view products by [TE Connectivity](#) manufacturer:*

Other Similar products are found below :

[73-6670-7](#) [73-6680-15](#) [73-7797-25](#) [MCJB2-10P6Q7-120](#) [84909-0204](#) [1200700174](#) [1200860368](#) [E16A06002M030](#) [E200102-009-S1](#)  
[AX105346-EW](#) [MT14-187L](#) [17-103530](#) [ERWPAB3002M005](#) [190-038045-01](#) [NK5EPC18RDY](#) [NK5EPC18VLY](#) [NK5EPC18YLY](#)  
[NK5EPC1GRY](#) [NK5EPC4Y](#) [NK5EPC6YLY](#) [NK5EPC8BLY](#) [NK5EPC9YLY](#) [1969343-6](#) [C501100010](#) [C501106002](#) [C501106007](#)  
[C501106015](#) [C501106025](#) [C601102010](#) [C601104010](#) [C601106007](#) [C601106015](#) [2142758-2](#) [2168427-2](#) [CAT1106007](#) [21949-1](#) [2J1866A](#)  
[RJF SFTP 5E 0500](#) [AX100351](#) [MN14CEC/ST](#) [C501100015](#) [C501106004](#) [C501106010](#) [C5F1108007](#) [C601104004](#) [C601106004](#)  
[CA21106004](#) [CA21106010](#) [CA21106015](#) [CA21109007](#)