

THIS DRAWING IS UNPUBLISHED.

RELEASED FOR PUBLICATION

20

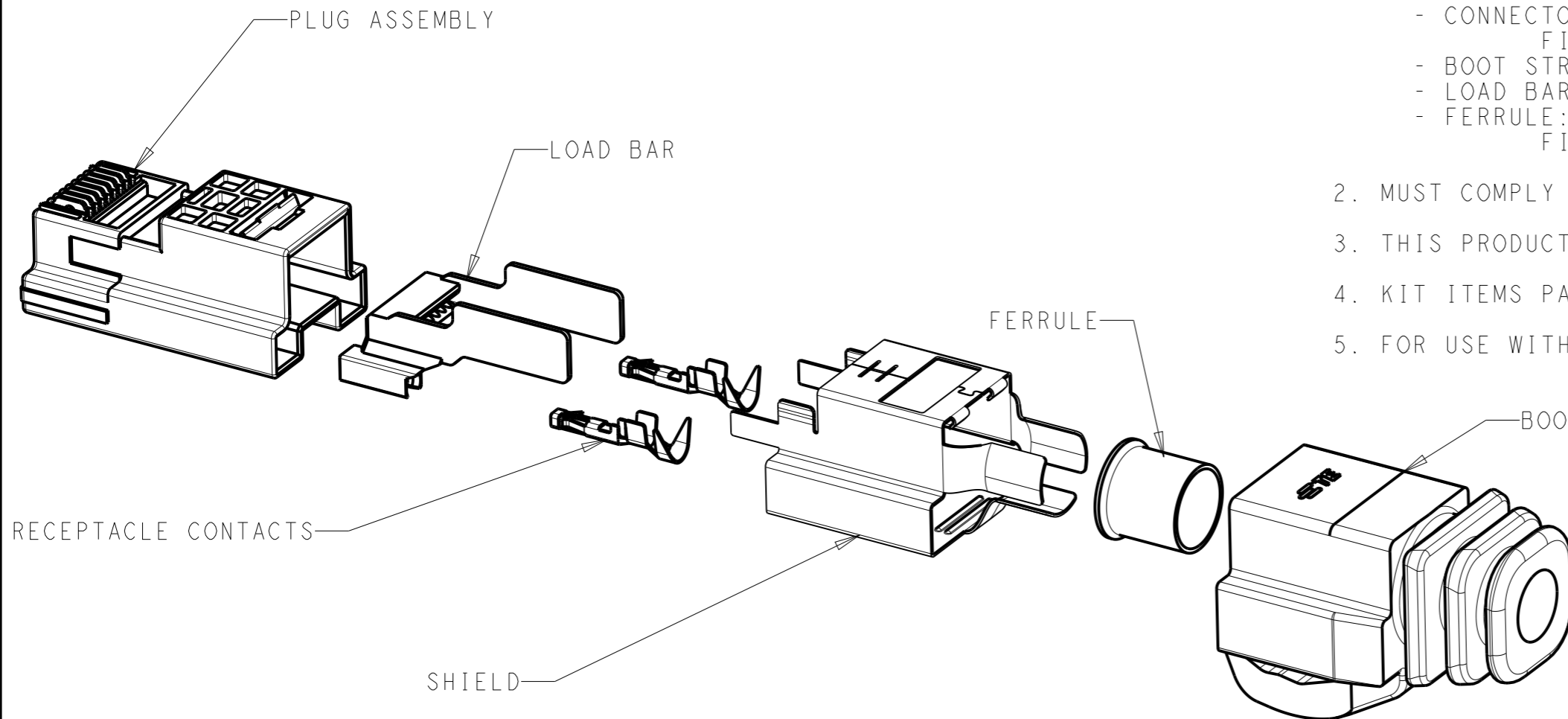
© COPYRIGHT 20 BY -

ALL RIGHTS RESERVED.

LOC	DIST	REVISIONS					
		P	LTR	DESCRIPTION	DATE	DWN	APVD
-	-		1	PROPOSED	15NOV2012	CD	MM
			2	GENERAL UPDATE	19MAR2013	MM	MM
			3	GENERAL UPDATE	20MAR2014	MM	MM

NOTES:

- 1. MATERIALS AND FINISH:
 - HOUSING: PC, COLOR: LIGHT BLUE
 - CONTACTS: COPPER ALLOY
FINISH: GOLD OVER NICKEL (SIGNAL CONTACTS)
GOLD OVER NICKEL (POWER CONTACTS)
 - CONNECTOR SHIELD: COPPER-ZINC ALLOY
FINISH: TIN OVER NICKEL
 - BOOT STRAIN RELIEF: TPV, COLOR: BLACK
 - LOAD BAR: PBT, COLOR: BLACK
 - FERRULE: COPPER ALLOY
FINISH: TIN OVER NICKEL
- 2. MUST COMPLY WITH DIRECTIVE 2002/95/EC (ROHS)
- 3. THIS PRODUCT HAS NOT COMPLETED VALIDATION TESTING
- 4. KIT ITEMS PACKAGED IN A SINGLE BAG AND LABELED.
- 5. FOR USE WITH 2213212-1 BULK PACKAGED CABLE.



PART NUMBER	DESCRIPTION	MAXIMUM CABLE DIAMETER	MAXIMUM SIGNAL CONDUCTOR DIA
2178148-1	KIT, CLOUDSPLITTER PLUG, NON-SHIELDED CABLE SOLID WIRE SIGNAL COND.	Ø6.50	Ø1.02

THIS DRAWING IS A CONTROLLED DOCUMENT.		DWN C. DAILY 15NOV2012	STE TE Connectivity	
DIMENSIONS: mm		CHK MOSTOLLER 15NOV2012		
TOLERANCES UNLESS OTHERWISE SPECIFIED:		APVD -	NAME KIT, CLOUDSPLITTER CABLE PLUG	
0 PLC ±-		PRODUCT SPEC 108-64022	SIZE A3	
1 PLC ±0.2		APPLICATION SPEC 114-32099	CAGE CODE 00779	DRAWING NO C-2178148
2 PLC ±0.13		WEIGHT -	RESTRICTED TO -	
3 PLC ±-		SCALE 2:1		
4 PLC ±-		SHEET 1 OF 1		
ANGLES ±2°		REV 3		
FINISH -		Customer Drawing		

X-ON Electronics

Largest Supplier of Electrical and Electronic Components

Click to view similar products for [Modular Connectors / Ethernet Connectors](#) category:

Click to view products by [TE Connectivity](#) manufacturer:

Other Similar products are found below :

[8949-H88/06BLKA/SN](#) [74441-0010/BKN](#) [MP1010RX-1000](#) [MP44RX-1000](#) [PHJ-4P4C-1-V-4](#) [PHP-6P6C-5](#) [GAX-3-66](#) [GAX-8-62](#) [GDCX-PA-66-50](#) [GDCX-PN-64](#) [GDCX-PN-66](#) [GDCX-PN-66-50](#) [GDLX-A-66](#) [GDLX-N-66](#) [GDLX-S-66](#) [GDLX-S-88K](#) [GDLX-SMT-S-88](#) [GDTX-S-88-50](#) [GDX-PA-1010](#) [GLX-N-1010M-BLK](#) [GLX-S-88M-BLK](#) [GMX-N-1010](#) [GMX-S-1010](#) [GMX-S-66](#) [GMX-SMT4-N-88](#) [GPX-2-64](#) [GSGX-N-2-88](#) [GSGX-N-4-88](#) [GSX-NS2-88-3.05](#) [GSX-NS2-88-3.05-50](#) [GSX-NS-88-3.05-50](#) [PT-108A-8C-UL](#) [PT-J951-8C](#) [PTS-J531-8CS-50UL](#) [1-1775629-2](#) [A-2014-0-4](#) [GWLX-S-88-GR](#) [GWLX-S9-88-YG](#) [DC-1021-8-WH-6](#) [1300530003](#) [1324640-4](#) [RJ11FTVC2G](#) [RJ11FTVC2N](#) [RJFTVX2SA1G](#) [132764-001](#) [1413235](#) [MP88X-1000](#) [MPS88RX-5000](#) [E5288-S000K3-L](#) [E5908-15A242-L](#)