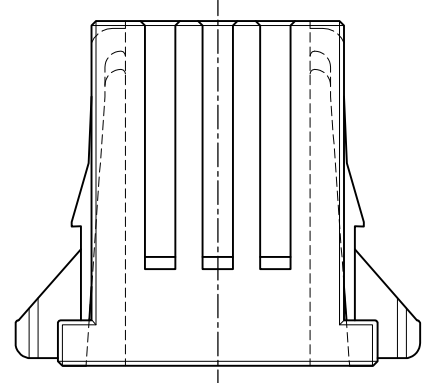
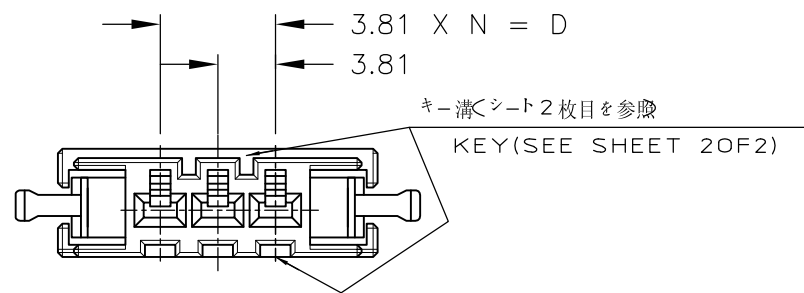
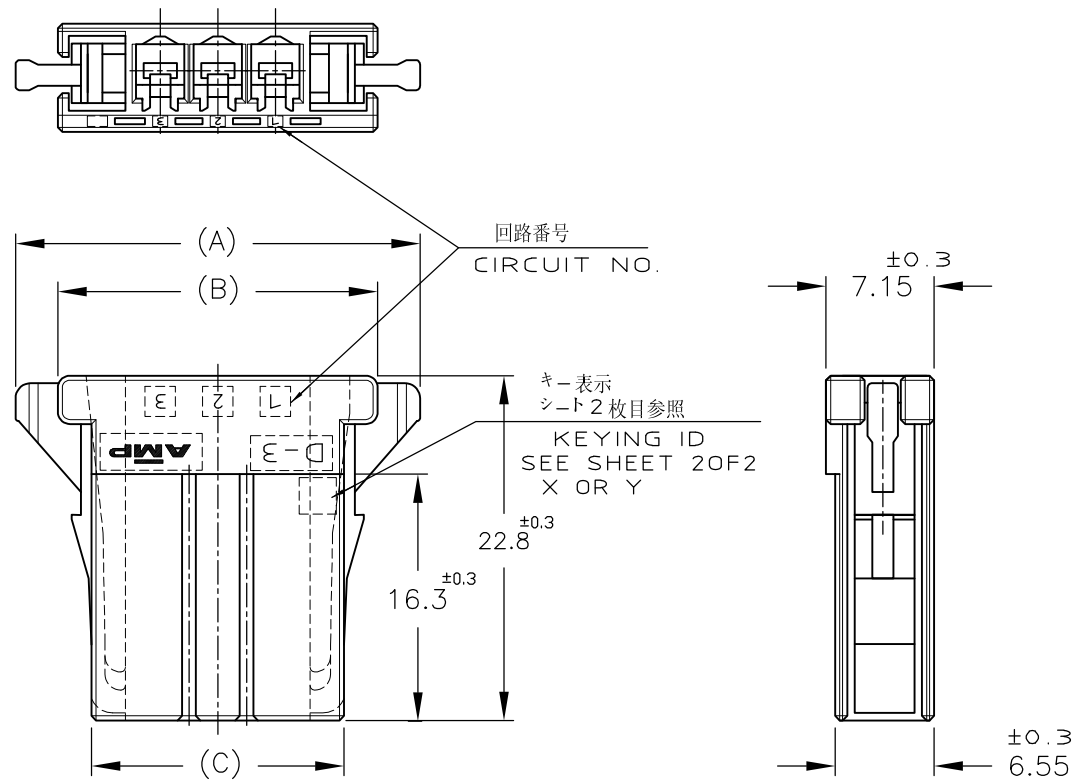


NUMBER 178288



METRIC

PRINT DIST 単位 概 DIMENSIONS IN MM. DO NOT SCALE PRINT



NOTE

1 MATERIAL: GLASS FIELD THERMO PLASTIC, POLYESTER  
 COLOR: BLACK  
~~△ TO COAT ALL SURFACE OF HOUSING WITH TEFLON~~

注記

1 材料: ガラス入り熱可塑性ポリエステル樹脂  
 色: 黒色  
~~△ ハウジング全面にテフロン塗装のこと~~

FINISH	POS.	DIMENSION	A	B	C	D	N	PART NUMBER
	10 POS.		53.43	47.83	43.37	34.29	9	2-178288-8
	10 POS.		53.43	47.83	43.37	34.29	9	1-178288-8
	8 POS.		45.81	40.12	35.97	26.67	7	1-178288-7
	6 POS.		38.19	32.59	28.13	19.05	5	2-178288-6
	6 POS.		38.19	32.59	28.13	19.05	5	1-178288-6
	5 POS.		34.38	28.78	24.32	15.24	4	1-178288-5
	4 POS.		30.57	24.97	20.51	11.43	3	2-178288-4
	4 POS.		30.57	24.97	20.51	11.43	3	1-178288-4
OBSOLETE	<del>△</del> 3 POS.		26.76	21.16	16.7	7.62	2	6-178288-3
OBSOLETE	<del>△</del> 3 POS.		26.76	21.16	16.7	7.62	2	5-178288-3
	3 POS.		26.76	21.16	16.7	7.62	2	2-178288-3
	3 POS.		26.76	21.16	16.7	7.62	2	1-178288-3

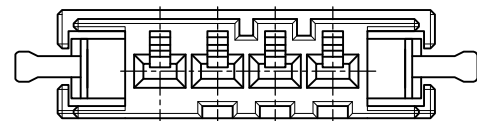
				<b>STE</b> TE Connectivity					
				抱合電線断面(WIRE RANGE)		被覆外径(INSULATION DIA.)		名称(NAME)	
				mm <sup>2</sup> (AWG - )		mmφ		REC HSG FOR DYNAMIC, SINGLE ROW ダイナミックφ-3100リセハウジング	
				材料(MATERIAL) 注記参照		仕上(FINISH)		一般公差 (GENERAL TOLERANCE)	
				DR. 9 JUL 91 N. Matsubara		DE. 9 JUL 91 N. Matsubara		10以下: ±0.2 10以上 30以下: ±0.25 30以上 100以下: ±0.3 角度: ±3°	
E4 REVISED PER ECO-11-005030				RK	HMR	21MAR11	DR. 17 JUL 91 H. Obata		APP. 17-DEC-'91 S. MANABE
LTR 変更 (REVISION RECORD)				DR	CHK	DATE	FIN. 17 JUL 91 H. Obata		APP. 17-DEC-'91 S. MANABE
				SIZE		LOC	番号(No.)		
				A3		J	C=178288		
				尺度(SCALE)		REV.	SHEET		
				2-1		E4	1 OF 2		

NUMBER  
178288

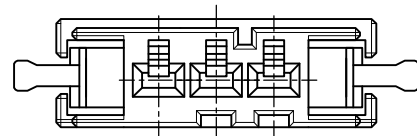


METRIC

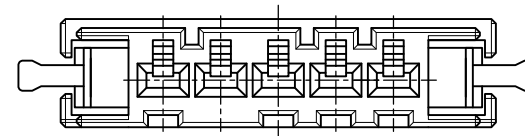
# KEYING LOCATION



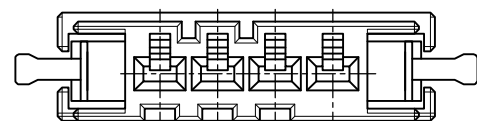
(P/N 2-178288-4 ONLY)  
(KEYING: Y)



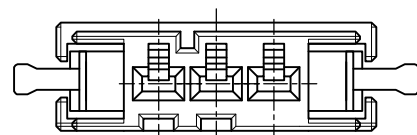
(P/N 2-178288-3 ONLY)  
(KEYING: Y)



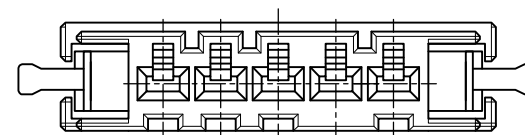
(P/N 2-178288-6,-8)  
(KEYING: Y)



(P/N 1-178288-4 ONLY)  
(KEYING: X)



(P/N 1-178288-3 ONLY)  
(KEYING: X)



(P/N 1-178288-5,-6,-7,-8)  
(KEYING: X)

PRINT DIST  
単位 耗 DIMENSIONS IN MM. DO NOT SCALE PRINT

					<b>STE</b> TE Connectivity	
抱合電線断面(WIRE RANGE) mm(AWG - )			被覆外径(INSULATION DIA.) mmφ		名称(NAME) REC HSG FOR DYNAMIC,SINGLE ROW ダイナミック-3100リセハウジング	
材料(MATERIAL) SEE NOTE 注記参照			仕上(FINISH)		一般公差 (GENERAL TOLERANCE) 10以下 : ±0.2 10を超え 30以下 : ±0.25 30を超え 100以下 : ±0.3 角度 : ±3°	
DR. SEE 1 OF 2			DE. OF 2		SIZE A3	LOC J
LTR 変更 (REVISION RECORD)			DR	CHK	DATE	番号(No.) 178288
CHK. SEE 1			APP.		尺度(SCALE) 2-1	REV. E4
					SHEET 2 OF 2	

## X-ON Electronics

Largest Supplier of Electrical and Electronic Components

*Click to view similar products for [Headers & Wire Housings](#) category:*

*Click to view products by [TE Connectivity](#) manufacturer:*

Other Similar products are found below :

[892-18-020-10-001101](#) [58102-G61-06LF](#) [582553-1](#) [0009485154](#) [009176003701906](#) [0050291907](#) [LY20-4P-DT1-P1E-BR](#) [02.125.8002.8](#)  
[609-3404](#) [61062-3](#) [61082-181009](#) [622-3653LF](#) [63453-116](#) [636-1030](#) [636-1427](#) [636-3427](#) [636-4007](#) [641938-9](#) [641991-4](#) [644827-2](#) [65817-010LF](#) [65817-015LF](#) [65863-015LF](#) [66207-023LF](#) [67095-007LF](#) [67601157](#) [68645-018](#) [68648-049](#) [70.362.1628.0](#) [70-4210](#) [70-4226B](#) [70-4853B](#) [707-5020](#) [707-5028](#) [71.350.2428.0](#) [71918-208LF](#) [71961-016LF](#) [733-134](#) [733-162](#) [754199-000](#) [760-3052](#) [787-8014-00](#) [79531-3000](#)  
[FCN-360C032-B](#) [FCN-367T-T012/H](#) [FCN-723D010/2](#) [80.063.4001.1](#) [800-90-001-10-001000](#) [800-90-010-10-002000](#) [801-43-002-10-013000](#)