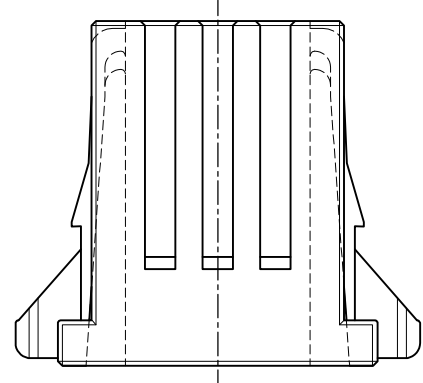
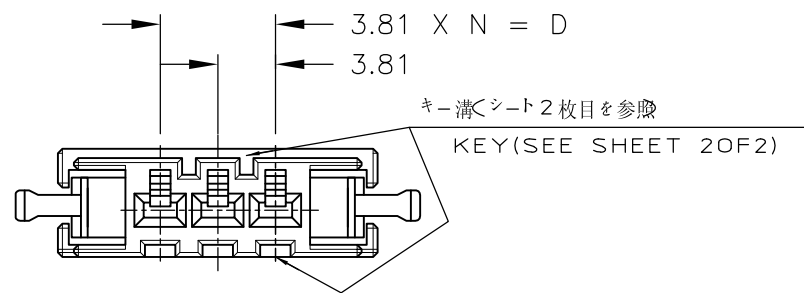
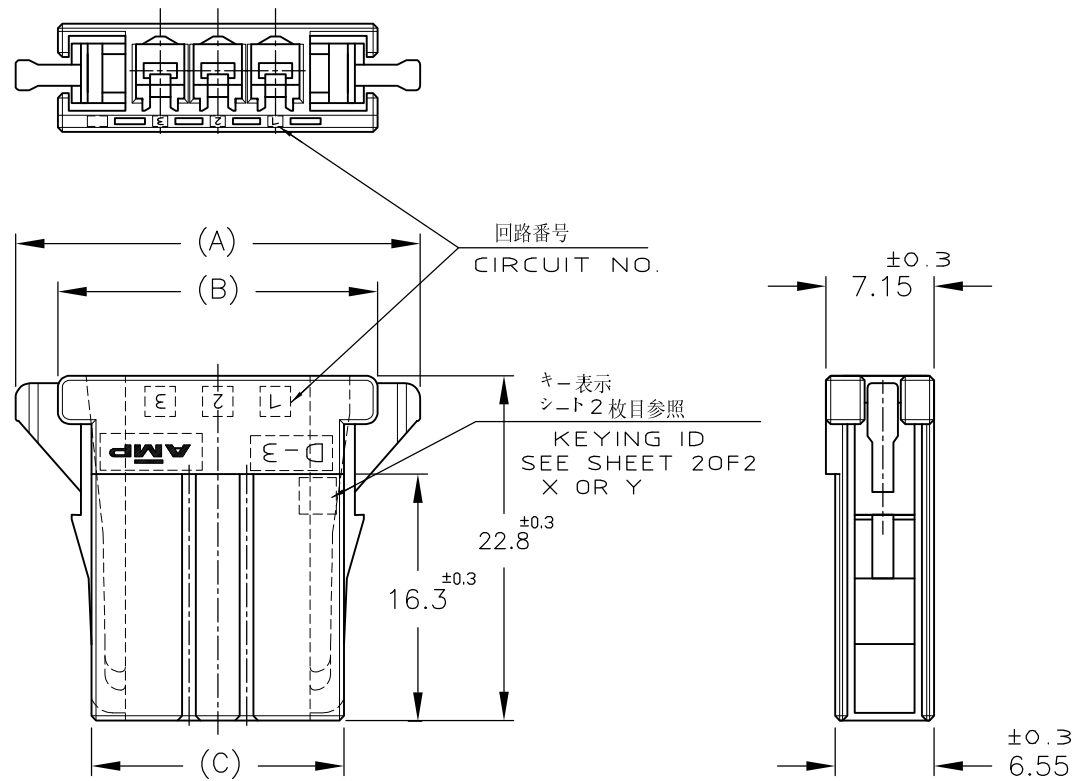


NUMBER 178288



METRIC

PRINT DIST 単位 概 DIMENSIONS IN MM. DO NOT SCALE PRINT



NOTE

1 MATERIAL: GLASS FIELD THERMO PLASTIC, POLYESTER  
 COLOR: BLACK  
~~△ TO COAT ALL SURFACE OF HOUSING WITH TEFLON~~

注記

1 材料: ガラス入り熱可塑性ポリエステル樹脂  
 色: 黒色  
~~△ ハウジング全面にテフロン塗装のこと~~

FINISH	POS.	DIMENSION	A	B	C	D	N	PART NUMBER
	10 POS.		53.43	47.83	43.37	34.29	9	2-178288-8
	10 POS.		53.43	47.83	43.37	34.29	9	1-178288-8
	8 POS.		45.81	40.12	35.97	26.67	7	1-178288-7
	6 POS.		38.19	32.59	28.13	19.05	5	2-178288-6
	6 POS.		38.19	32.59	28.13	19.05	5	1-178288-6
	5 POS.		34.38	28.78	24.32	15.24	4	1-178288-5
	4 POS.		30.57	24.97	20.51	11.43	3	2-178288-4
	4 POS.		30.57	24.97	20.51	11.43	3	1-178288-4
OBSOLETE	<del>△</del> 3 POS.		26.76	21.16	16.7	7.62	2	6-178288-3
OBSOLETE	<del>△</del> 3 POS.		26.76	21.16	16.7	7.62	2	5-178288-3
	3 POS.		26.76	21.16	16.7	7.62	2	2-178288-3
	3 POS.		26.76	21.16	16.7	7.62	2	1-178288-3

				<b>STE</b> TE Connectivity					
				抱合電線断面(WIRE RANGE)		被覆外径(INSULATION DIA.)		名称(NAME)	
				mm <sup>2</sup> (AWG - )		mmφ		REC HSG FOR DYNAMIC, SINGLE ROW ダイナミックφ-3100リセハウジング	
				材料(MATERIAL) SEE NOTE 注記参照		仕上(FINISH)		一般公差 (GENERAL TOLERANCE)	
				DR. 9 JUL 91 N. Matsubara		DE. 9 JUL 91 N. Matsubara		SIZE LOC 番号(No.) A3 J C=178288	
E4 REVISED PER ECO-11-005030				RK HMR 21MAR11		CHK. 17 JUL 91 H. Obata		APP. 17-DEC-'91 S. MANABE	
LTR 変更 (REVISION RECORD)				DR CHK DATE				尺度(SCALE) REV. SHEET 2-1 E4 1 OF 2	

4

3

2

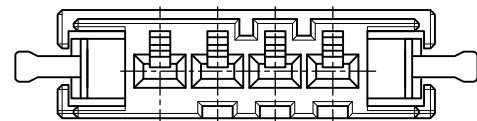
1

NUMBER  
178288

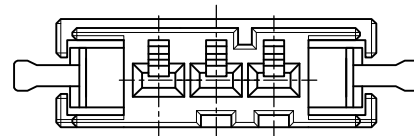


METRIC

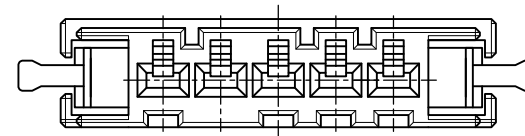
# KEYING LOCATION



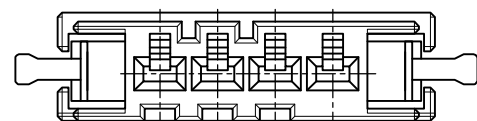
(P/N 2-178288-4 ONLY)  
(KEYING: Y)



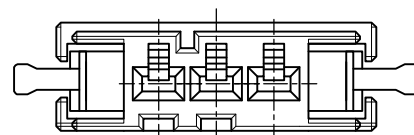
(P/N 2-178288-3 ONLY)  
(KEYING: Y)



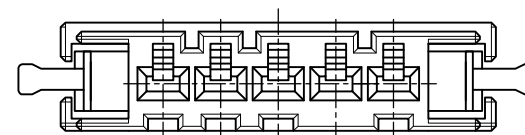
(P/N 2-178288-6,-8)  
(KEYING: Y)



(P/N 1-178288-4 ONLY)  
(KEYING: X)



(P/N 1-178288-3 ONLY)  
(KEYING: X)



(P/N 1-178288-5,-6,-7,-8)  
(KEYING: X)

PRINT DIST  
単位 尺 DIMENSIONS IN MM. DO NOT SCALE PRINT

					<b>STE</b> TE Connectivity	
抱合電線断面(WIRE RANGE) mm(AWG - )			被覆外径(INSULATION DIA.) mmφ		名称(NAME) REC HSG FOR DYNAMIC,SINGLE ROW ダイナミック-3100リセハウジング	
材料(MATERIAL) SEE NOTE 注記参照			仕上(FINISH)		一般公差 (GENERAL TOLERANCE) 10以下 : ±0.2 10を超え 30以下 : ±0.25 30を超え 100以下 : ±0.3 角度 : ±3°	
DR. SEE 1 OF 2			仕上(FINISH)		SIZE A3	LOC J
LTR 変更 (REVISION RECORD)			DR	CHK	DATE	番号(No.) 178288
CHK. SEE 1 OF 2			DR. DE. OF 2		尺度(SCALE) 2-1	
			APP.		REV. E4	SHEET 2 OF 2

(CUSTOMER DRAWING) 顧客用図面

## X-ON Electronics

Largest Supplier of Electrical and Electronic Components

*Click to view similar products for [Power to the Board](#) category:*

*Click to view products by [TE Connectivity](#) manufacturer:*

Other Similar products are found below :

[6450171-4](#) [6450552-7](#) [6600323-8](#) [6643429-1](#) [6646040-2](#) [6651939-1](#) [6766604-1](#) [120959-1](#) [1393557-2](#) [1393532-2](#) [1393532-3](#) [1393532-4](#)  
[1393557-1](#) [1600812-5](#) [1-6450861-2](#) [1744132-7](#) [1761122-1](#) [1766250-1](#) [1892109-1](#) [2-6450860-5](#) [2-6450870-0](#) [1-6450161-4](#) [1-6450850-6](#) [1-](#)  
[6450869-6](#) [1645526-2](#) [1-6600130-0](#) [2005243-2](#) [377-0020-11130](#) [TE34-12-16P-F0](#) [51700-10201602AALF](#) [5-6450830-6](#) [5646956-4](#) [377-](#)  
[0080-11131A](#) [4-6450830-9](#) [4-6600333-3](#) [10125416-4050LF](#) [10130248-005LF](#) [6600320-3](#) [3-6450860-5](#) [1888123-2](#) [6450166-1](#) [6643978-1](#)  
[6766605-1](#) [701-15-02109](#) [N11444](#) [6651938-1](#) [6450810-7](#) [46437-1112](#) [1-1589677-8](#) [5646956-5](#)