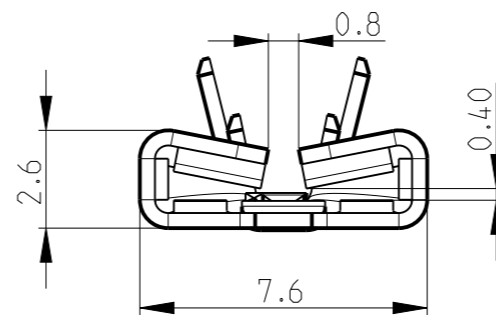
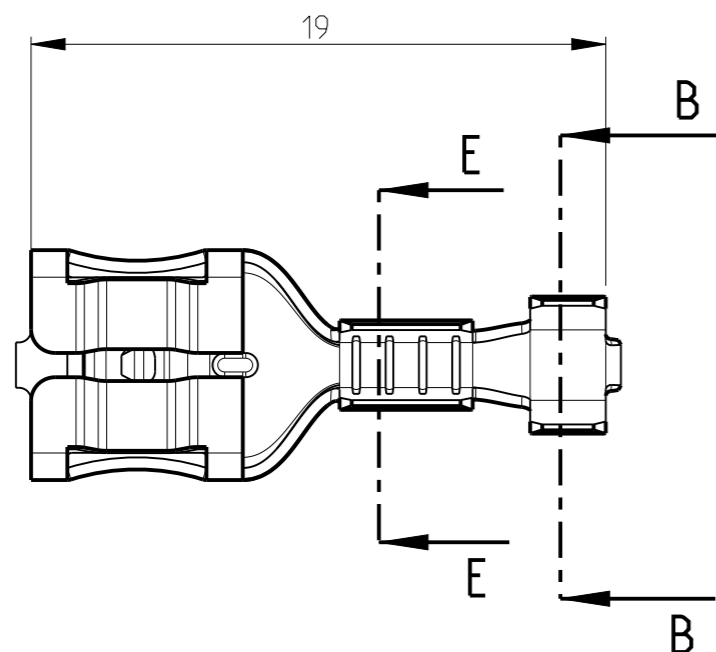
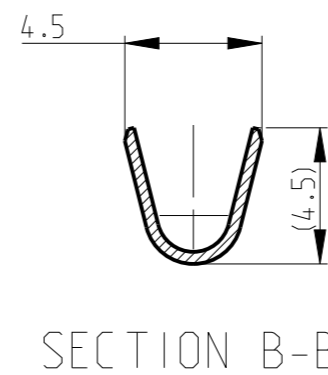
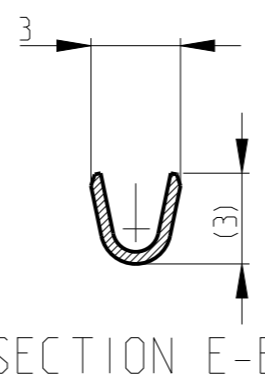
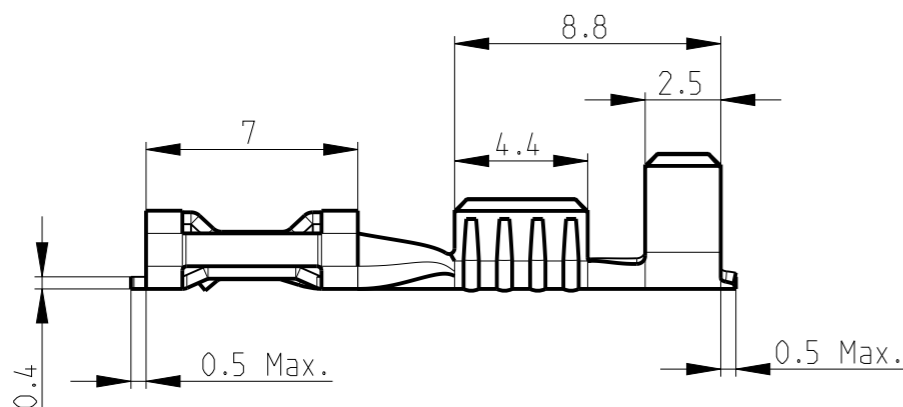


THIS DRAWING IS UNPUBLISHED. RELEASED FOR PUBLICATION 20
 © COPYRIGHT 20 BY TYCO ELECTRONICS CORPORATION ALL RIGHTS RESERVED.

LOC		DIST		REVISIONS			
P	LTR	DESCRIPTION	DATE	DWN	APVD		
-	-	A6	RELEASE PER ECR-19-009634	15JUL2019	LZ	TD	
-	-	C	REVISED PER ECR-20-100866	26NOV2020	BDA	DL	



- NOTE:
- CONTINUOUS STRIP ON REELS
 - MATING TAB ACCORDING TO UL310 AND IEC61210 NORM. (WIDTH*THICKNESS IS 6.3*0.8mm)
 - WIRE SIZE IS #20-#18 AWG(0.5-1.0 sqmm)
 - INSULATION RANGE IS Ø1.8-2.5mm
 - CUT-OFF TAB LENGTH IS 0.5MM MAX.
 - △ PRELIMINARY, NOT FOR PRODUCTION.
 - APPLICATION FEED LENGTH 21.4mm.



Pre-TIN	CuNiSi	△ 2178299-3
Pre-TIN	BRASS	△ 2178299-2
Pre-NICKEL	Steel	2178299-1
FINISH	MATERIAL	PART NO.



THIS DRAWING IS A CONTROLLED DOCUMENT.		DWN VIBHUTHI 19NOV2012	TE Connectivity	
DIMENSIONS: mm		CHK SUBHASH M 19NOV2012		
TOLERANCES UNLESS OTHERWISE SPECIFIED:		APVD SURESH T N 19NOV2012	NAME 6.3 SRS F-SPRING LIF RECEPTACLE	
0 PLC ±0.5	1 PLC ±0.5	PRODUCT SPEC 108-64027	SIZE A3	CAGE CODE 00779
2 PLC ±0.1	3 PLC ±	APPLICATION SPEC 114-64027	DRAWING NO C-2178299	RESTRICTED TO -
4 PLC ±	ANGLES ±1°	WEIGHT -	SCALE 4:1	SHEET 1 OF 1
MATERIAL SEE TABLE	FINISH SEE TABLE	Customer Drawing	REV C	

X-ON Electronics

Largest Supplier of Electrical and Electronic Components

Click to view similar products for [Terminals](#) category:

Click to view products by [TE Connectivity](#) manufacturer:

Other Similar products are found below :

[00-054007-01074-6](#) [00-054007-70206-1](#) [00-054007-70210-8](#) [00-054007-70217-7](#) [00-054007-70226-9](#) [00-054007-70228-3](#) [00-054007-70248-1](#) [00-054007-70256-6](#) [00-054007-70301-3](#) [00-054007-70316-7](#) [0-0320562-0](#) [00-054007-49560-4](#) [00-054007-70209-2](#) [00-054007-70225-2](#) [00-054007-70227-6](#) [00-054007-70231-3](#) [00-054007-70241-2](#) [00-054007-70242-9](#) [00-054007-70244-3](#) [00-054007-70246-7](#) [00-054007-70263-4](#) [00-054007-70288-7](#) [00-054007-70290-0](#) [00-054007-70300-6](#) [00-054007-70304-4](#) [01-2065-1-0216](#) [01-2900-1-04412](#) [00581P0075](#) [600TS-10](#) [60205-1](#) [604200-1](#) [605601-1](#) [60598-1-CUT-TAPE](#) [61314-6-C](#) [61810-3](#) [61-S](#) [61-SN](#) [626-0194](#) [62-NBM-A](#) [62-SN](#) [62-SP](#) [63-S](#) [640179-1](#) [M55155/059I03](#) [M55155/079C01](#) [M55155/099H02](#) [M55155/109H01](#) [M55155/109H02](#) [M55155/12XH05](#) [M55155/16XH02](#)