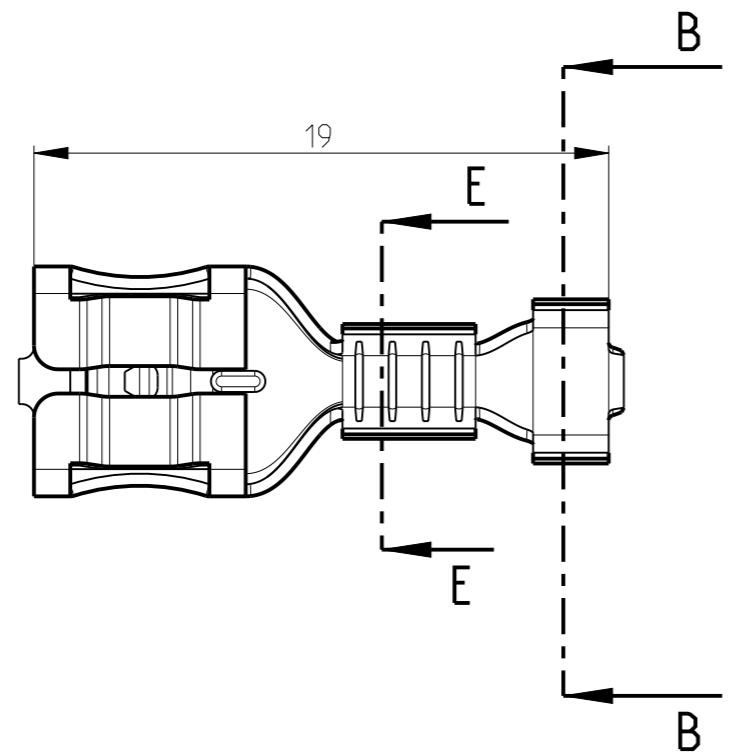
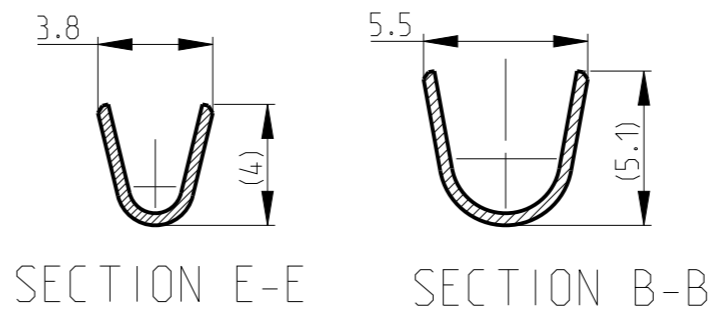
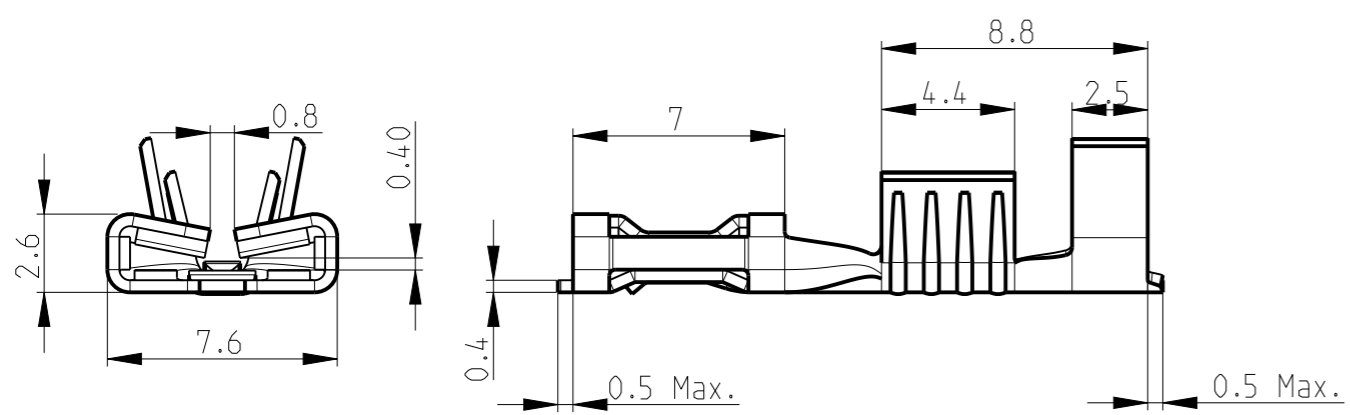


THIS DRAWING IS UNPUBLISHED. RELEASED FOR PUBLICATION 20
 © COPYRIGHT 20 BY TYCO ELECTRONICS CORPORATION ALL RIGHTS RESERVED.

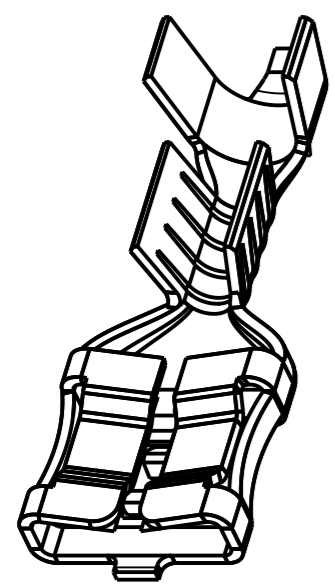
LOC		DIST		REVISIONS			
P	LTR	DESCRIPTION	DATE	DWN	APVD		
-	-	C	RELEASE PER ECR-20-100866	04DEC20	DL	EW	




- NOTE:
- CONTINUOUS STRIP ON REELS
 - MATING TAB ACCORDING TO UL310 AND IEC61210 NORM. (WIDTH*THICKNESS IS 6.3*0.8mm)
 - WIRE SIZE IS #18-#14 AWG(1.0-2.5 sqmm)
 - INSULATION RANGE IS \varnothing 3-4.3mm
 - CUT-OFF TAB LENGTH 0.5mm MAX.
 - PRELIMINARY NOT FOR PRODUCTION.
 - APPLICATION FEED LENGTH 21.4mm.



Pre-Tin Plated	CuNiSi	2178300-3	6
Pre-Tin Plated	BRASS	2178300-2	6
Pre-NICKEL	Steel	2178300-1	
FINISH	MATERIAL	PART NO.	



THIS DRAWING IS A CONTROLLED DOCUMENT.		DWN VIBHUTHI 29NOV2012	 TE Connectivity				
DIMENSIONS: mm		CHK SUBHASH M 29NOV2012			NAME 6.3 SRS F-SPRING LIF RECEPTACLE		
TOLERANCES UNLESS OTHERWISE SPECIFIED:		APVD SURESH T N 29NOV2012					
0 PLC ±0.5 1 PLC ±0.5 2 PLC ±0.1 3 PLC ± 4 PLC ± ANGLES ±1°		PRODUCT SPEC 108-64027					
MATERIAL SEE TABLE		FINISH SEE TABLE	APPLICATION SPEC 114-64027	SIZE A3	CAGE CODE 00779	DRAWING NO C-2178300	RESTRICTED TO -
		Customer Drawing	WEIGHT -	SCALE 4:1	SHEET 1 OF 1	REV C	

X-ON Electronics

Largest Supplier of Electrical and Electronic Components

Click to view similar products for [Terminals](#) category:

Click to view products by [TE Connectivity](#) manufacturer:

Other Similar products are found below :

[00-054007-01074-6](#) [00-054007-70206-1](#) [00-054007-70210-8](#) [00-054007-70217-7](#) [00-054007-70226-9](#) [00-054007-70228-3](#) [00-054007-70248-1](#) [00-054007-70256-6](#) [00-054007-70301-3](#) [00-054007-70316-7](#) [00-054007-49560-4](#) [00-054007-70209-2](#) [00-054007-70225-2](#) [00-054007-70227-6](#) [00-054007-70231-3](#) [00-054007-70241-2](#) [00-054007-70242-9](#) [00-054007-70244-3](#) [00-054007-70246-7](#) [00-054007-70263-4](#) [00-054007-70288-7](#) [00-054007-70290-0](#) [00-054007-70300-6](#) [00-054007-70304-4](#) [01-2065-1-0216](#) [01-2900-1-04412](#) [00581P0075](#) [600TS-10](#) [60205-1](#) [604200-1](#) [605601-1](#) [60598-1-CUT-TAPE](#) [61314-6-C](#) [61810-3](#) [61-S](#) [61-SN](#) [626-0194](#) [62-NBM-A](#) [62-SN](#) [62-SP](#) [63-S](#) [640179-1](#) [M55155/059I03](#) [M55155/079C01](#) [M55155/099H02](#) [M55155/109H01](#) [M55155/109H02](#) [M55155/12XH05](#) [M55155/16XH02](#) [M55155/29-5S](#)