

THIS DRAWING IS UNPUBLISHED.

RELEASED FOR PUBLICATION

20

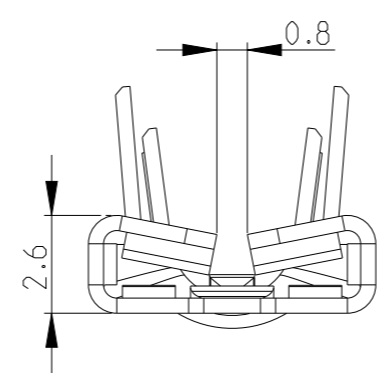
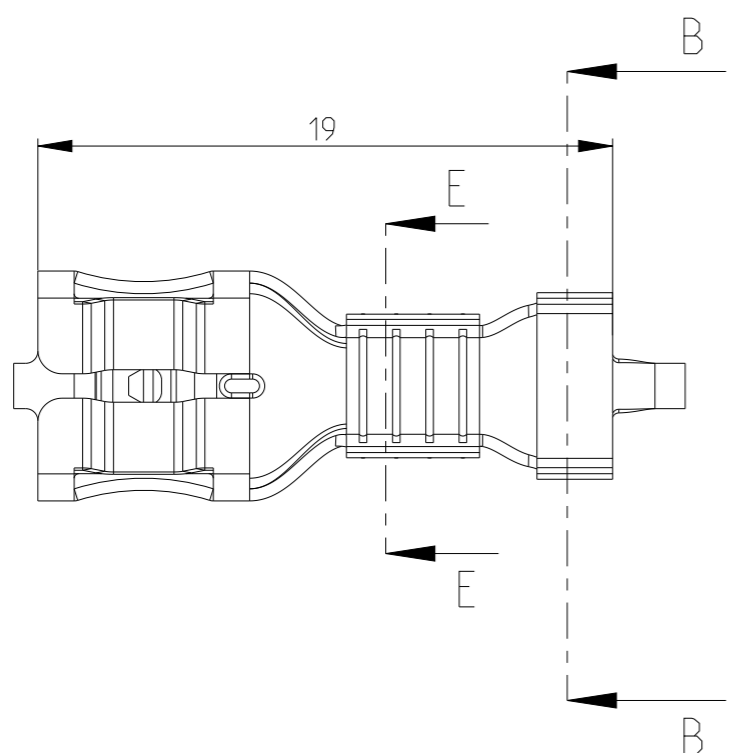
© COPYRIGHT 20

BY TYCO ELECTRONICS CORPORATION

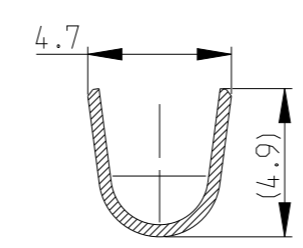
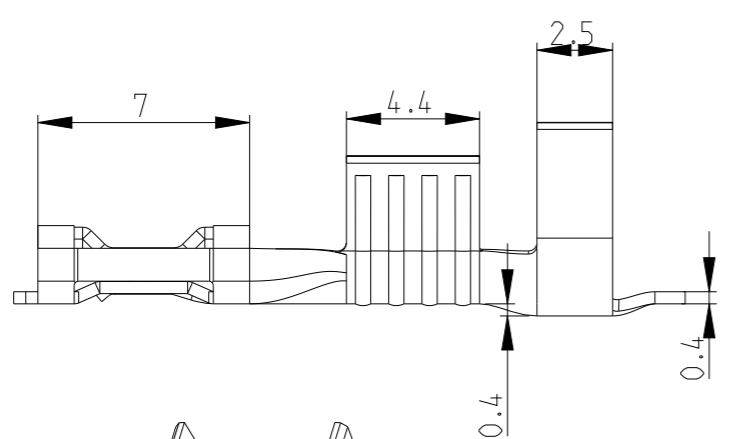
ALL RIGHTS RESERVED.

LOC	DIST
-	-

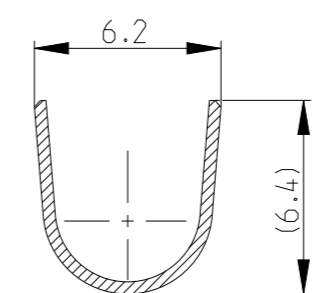
REVISIONS					
P	LTR	DESCRIPTION	DATE	DWN	APVD
A		REV.A RELEASE BASED ON REV.3	23OCT2014	DL	TD
A1		RELEASE PER ECR-14-018864	24DEC2014	DL	TD
C		REVISED PER ECR-20-100866	26NOV2020	BDA	DL



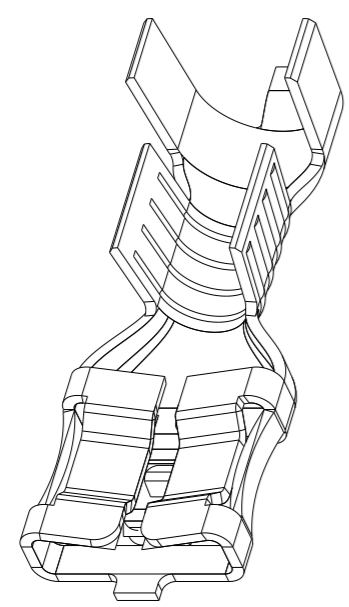
- NOTE:
1. CONTINUOUS STRIP ON REELS
 2. MATING TAB ACCORDING TO UL310 AND IEC61210 NORM. (WIDTH*THICKNESS IS 6.3*0.8mm)
 3. WIRE SIZE IS #12-#10 AWG(3.3-5.3 sqmm)
 4. INSULATION RANGE IS Ø3.6-5mm
 5. CUT-OFF TAB LENGTH IS 0.5mm MAX.



SECTION E-E



SECTION B-B



Pre-NICKEL	Steel	2178301-1
FINISH	MATERIAL	PART NO.

THIS DRAWING IS A CONTROLLED DOCUMENT.		DWN VIBHUTHI 29NOV2012	TE Connectivity													
DIMENSIONS: mm		CHK SUBHASH M 29NOV2012														
TOLERANCES UNLESS OTHERWISE SPECIFIED:		APVD SURESH T N 29NOV2012														
<table border="0"> <tr><td>0 PLC</td><td>±0.5</td></tr> <tr><td>1 PLC</td><td>±0.5</td></tr> <tr><td>2 PLC</td><td>±0.25</td></tr> <tr><td>3 PLC</td><td>±</td></tr> <tr><td>4 PLC</td><td>±</td></tr> <tr><td>ANGLES</td><td>±1°</td></tr> <tr><td>FINISH</td><td>SEE TABLE</td></tr> </table>		0 PLC			±0.5	1 PLC	±0.5	2 PLC	±0.25	3 PLC	±	4 PLC	±	ANGLES	±1°	FINISH
0 PLC	±0.5															
1 PLC	±0.5															
2 PLC	±0.25															
3 PLC	±															
4 PLC	±															
ANGLES	±1°															
FINISH	SEE TABLE															
MATERIAL SEE TABLE	SEE TABLE	PRODUCT SPEC 108-64027	SIZE A3	CAGE CODE 00779	DRAWING NO C-2178301	RESTRICTED TO										
		APPLICATION SPEC 114-64027	SCALE 4:1		SHEET 1 OF 1	REV C										
		WEIGHT -	CUSTOMER DRAWING													

X-ON Electronics

Largest Supplier of Electrical and Electronic Components

Click to view similar products for [Terminals](#) category:

Click to view products by [TE Connectivity](#) manufacturer:

Other Similar products are found below :

[00-054007-01074-6](#) [00-054007-70206-1](#) [00-054007-70210-8](#) [00-054007-70217-7](#) [00-054007-70226-9](#) [00-054007-70228-3](#) [00-054007-70248-1](#) [00-054007-70256-6](#) [00-054007-70301-3](#) [00-054007-70316-7](#) [00-054007-49560-4](#) [00-054007-70209-2](#) [00-054007-70225-2](#) [00-054007-70227-6](#) [00-054007-70231-3](#) [00-054007-70241-2](#) [00-054007-70242-9](#) [00-054007-70244-3](#) [00-054007-70246-7](#) [00-054007-70263-4](#) [00-054007-70288-7](#) [00-054007-70290-0](#) [00-054007-70300-6](#) [00-054007-70304-4](#) [01-2065-1-0216](#) [01-2900-1-04412](#) [00581P0075](#) [600TS-10](#) [60205-1](#) [604200-1](#) [605601-1](#) [60598-1-CUT-TAPE](#) [61314-6-C](#) [61810-3](#) [61-S](#) [61-SN](#) [626-0194](#) [62-NBM-A](#) [62-SN](#) [62-SP](#) [63-S](#) [640179-1](#) [M55155/059I03](#) [M55155/079C01](#) [M55155/099H02](#) [M55155/109H01](#) [M55155/109H02](#) [M55155/12XH05](#) [M55155/16XH02](#) [M55155/29-5S](#)