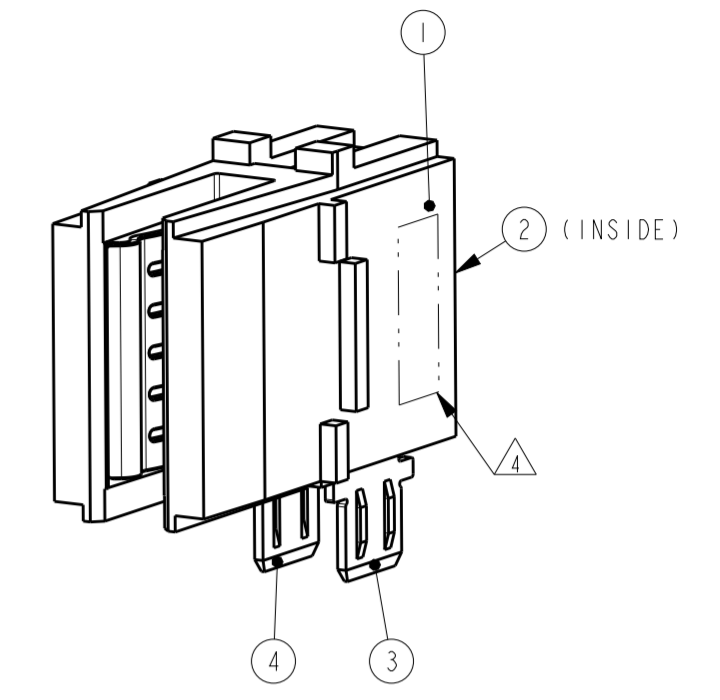
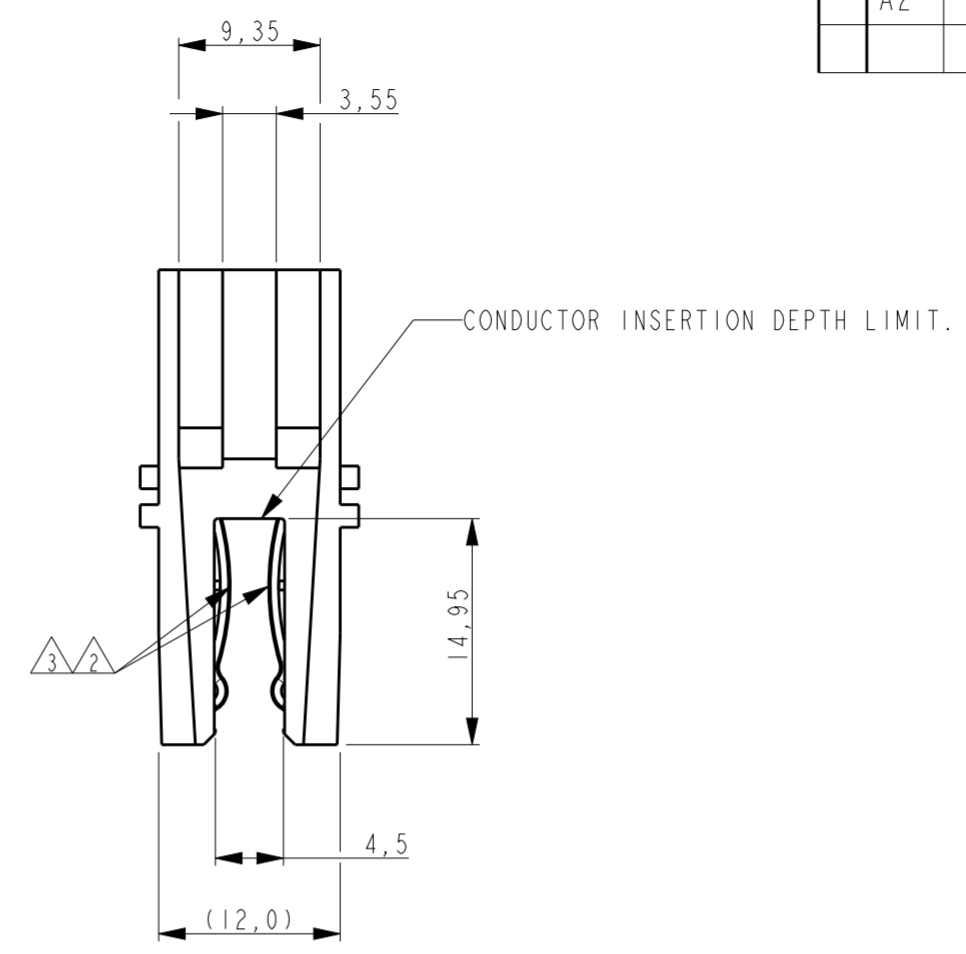
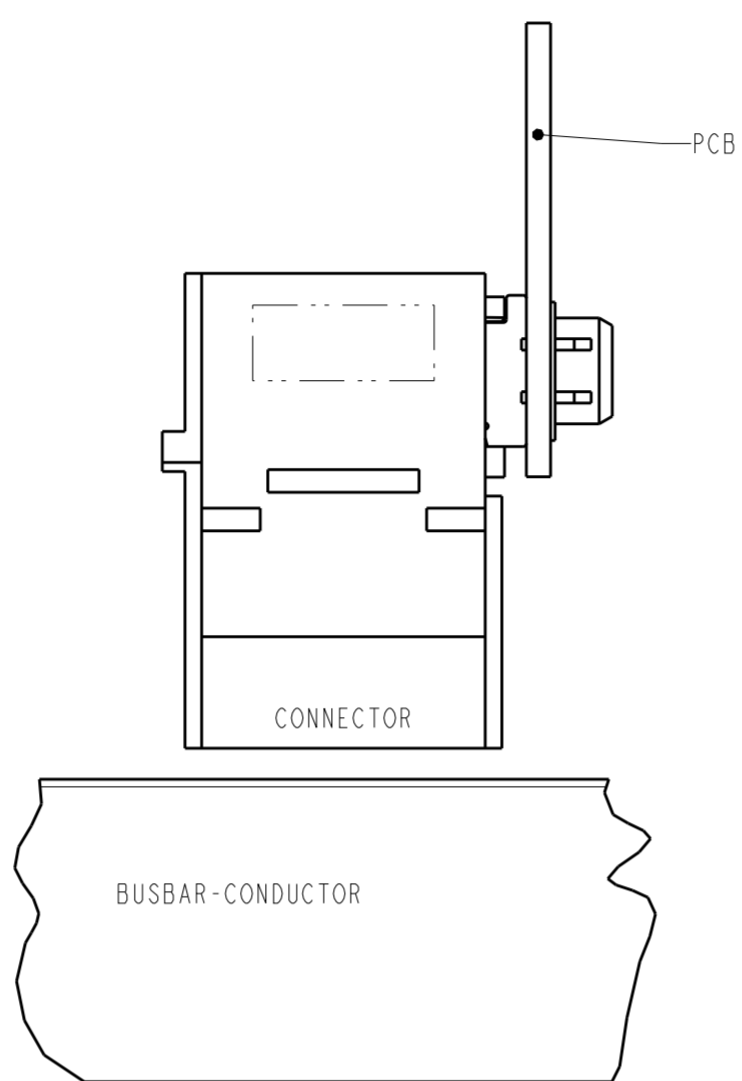
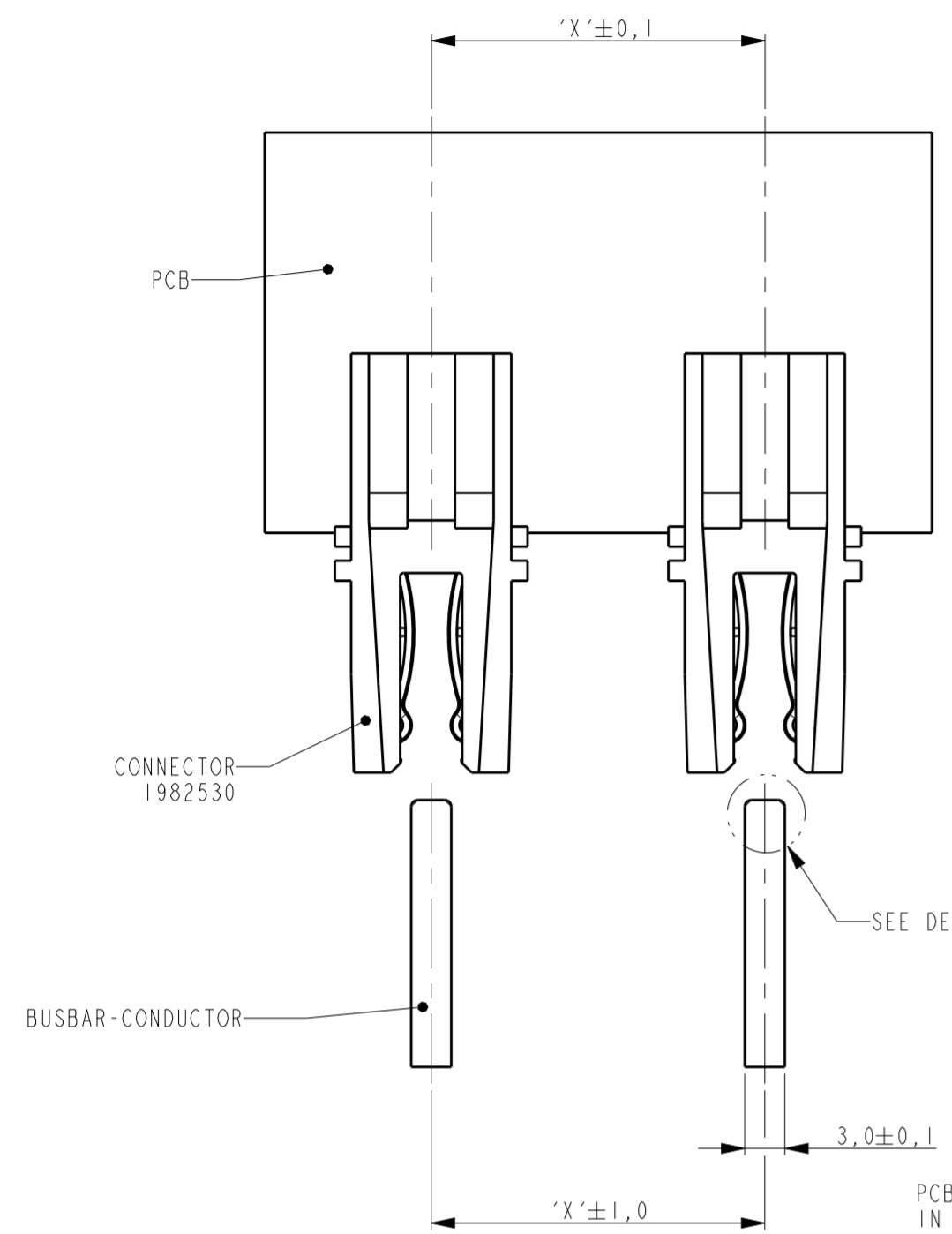
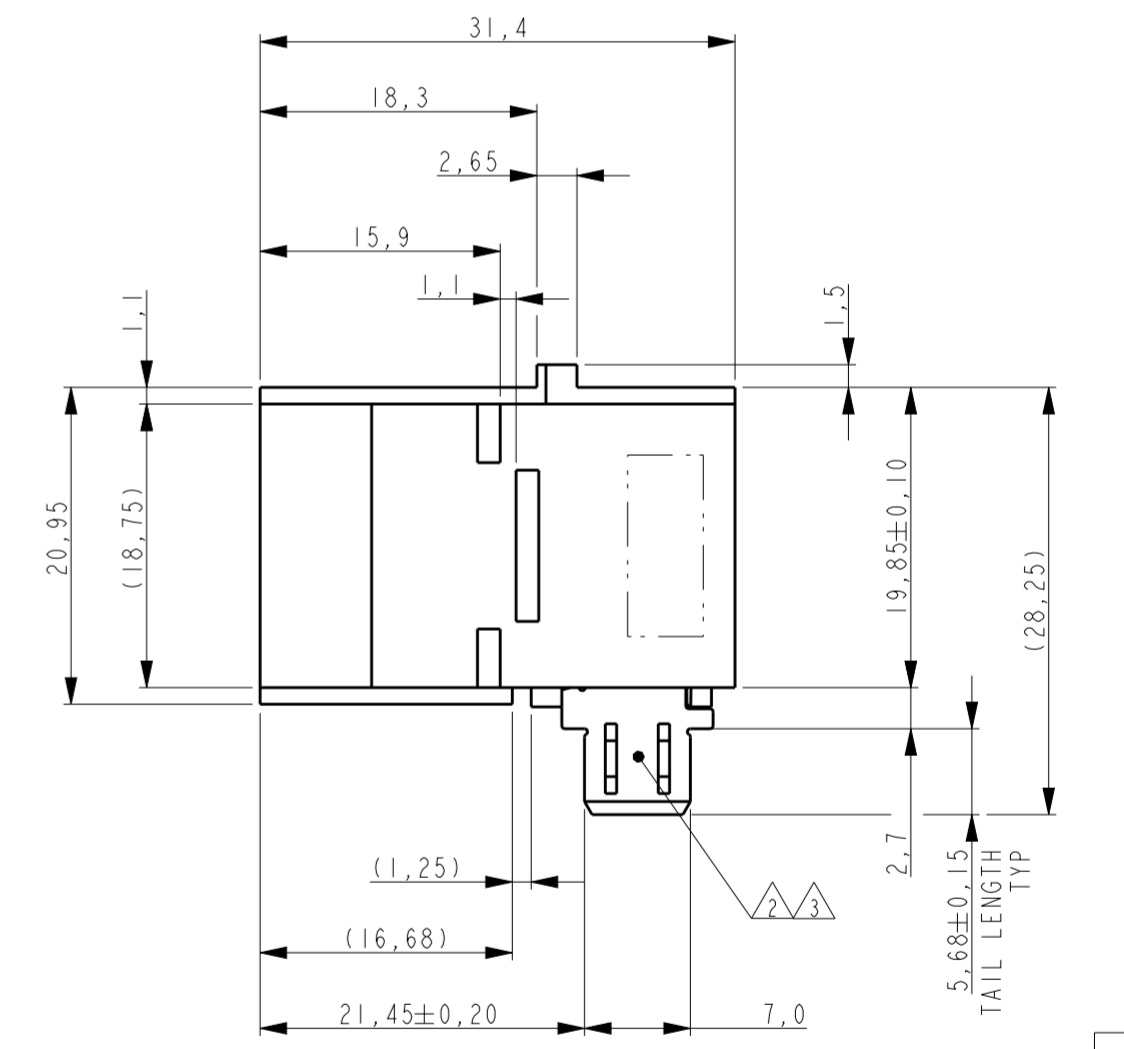
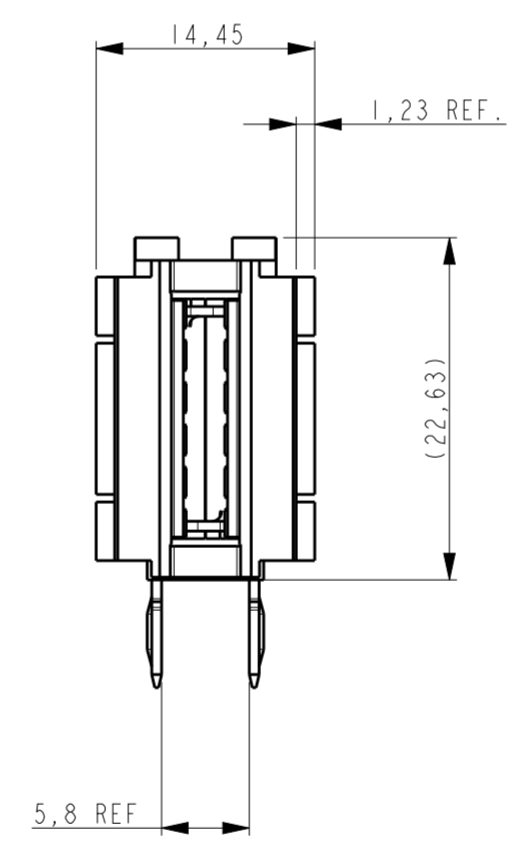
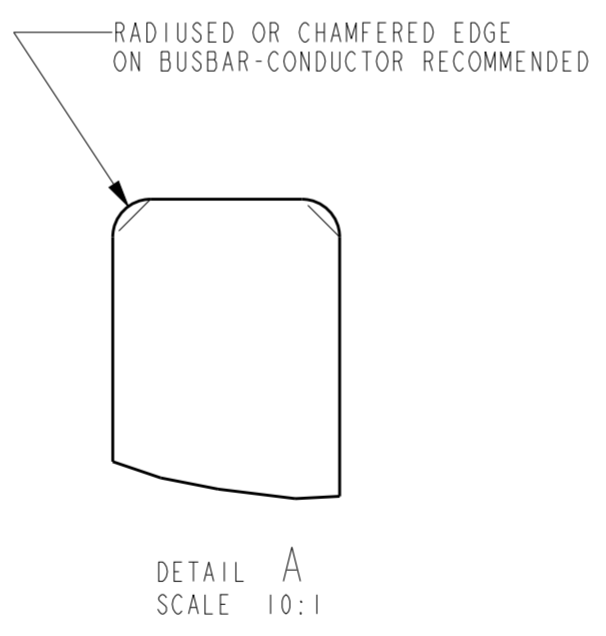
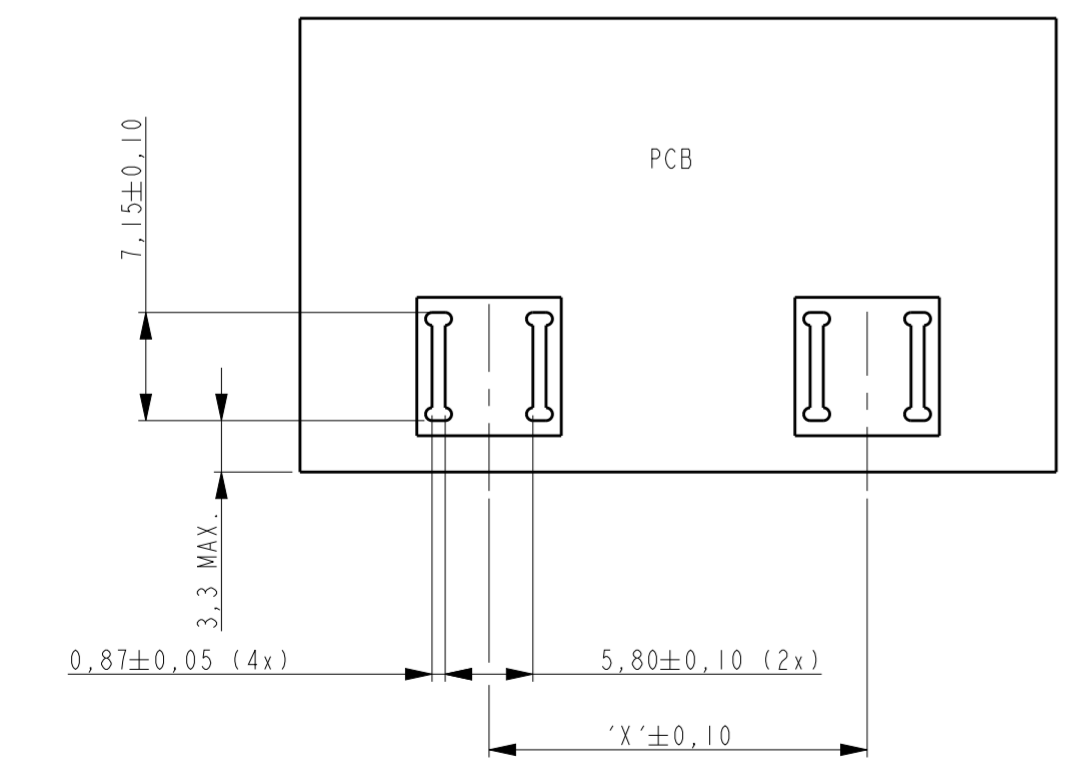


THIS DRAWING IS UNPUBLISHED. RELEASED FOR PUBLICATION  
 © COPYRIGHT - BY - ALL RIGHTS RESERVED.

LOC	DIST	REVISIONS					
ES	00	P	LTR	DESCRIPTION	DATE	DWN	APVD
		A		INITIAL RELEASE	06SEP12	SS	RRP
		A1		ECR-12-017404	05OCT2012	SS	RRP
		A2		REV PER ECR-14-007496	20MAY2014	ML	SZ



PCB AND BUSBAR-CONDUCTORS, IN THESE VIEWS ARE SHOWN FOR REFERENCE ONLY.



- NOTES:
- PCB MUST BE SUPPORTED WHILE INSERTING THE CONNECTOR IN THE SLOTS TO AVOID BENDING OF THE BOARD.
  - PLATING: 1,2µm MIN. NICKEL UNDERLAYER ALLOVER.
  - 3,0µm MIN. TIN IN INDICATED AREA'S.
  - AREA FOR DATE-CODE.
  - MATERIAL:  
 POWER CONTACT: HIGH CONDUCTIVITY COPPER ALLOY.  
 HOUSING: THERMOPLASTIC, BLACK, UL94 V-0.

RECOMMENDED PCB LAY-OUT  
 THICKNESS: 4,8mm MAX

THIS DRAWING IS A CONTROLLED DOCUMENT.

DIMENSIONS:	TOLERANCES UNLESS OTHERWISE SPECIFIED:
mm	
0 PLC	±
1 PLC	±0,3
2 PLC	±0,15
3 PLC	±0,050
4 PLC	±
ANGLES	±2°
FINISH	

4	CONTACT LEFT	COPPER ALLOY	△△	I
3	CONTACT RIGHT	COPPER ALLOY	△△	I
2	CLIP	STAINLESS STEEL	-	I
1	HOUSING	HIGH TEMP THERMO PLASTIC UL 94 V0 BLACK	BLACK	I

ITEM NO.	DESCRIPTION	MATERIAL	FINISH	QTY.
4	CONTACT LEFT	COPPER ALLOY	△△	I
3	CONTACT RIGHT	COPPER ALLOY	△△	I
2	CLIP	STAINLESS STEEL	-	I
1	HOUSING	HIGH TEMP THERMO PLASTIC UL 94 V0 BLACK	BLACK	I

DWN	SUDHAKAR	06SEP12	TE Connectivity
CHK	SUDHAKAR	06SEP12	
APVD	RAJENDRA	06SEP12	
PRODUCT SPEC	108-19360		
APPLICATION SPEC	114-19128		NAME <b>PLUGGABLE BUSBAR CONNECTOR</b> <b>SOLDER VERSION</b> <b>CROWN CLIP JUNIOR</b>
WEIGHT	-		SIZE <b>A2</b>
Customer Drawing	SCALE	2:1	DRAWING NO <b>2178411</b>
	SHEET	1	RESTRICTED TO -
	OF	1	REV <b>A3</b>

## X-ON Electronics

Largest Supplier of Electrical and Electronic Components

*Click to view similar products for [Terminal Block Tools & Accessories](#) category:*

*Click to view products by [TE Connectivity](#) manufacturer:*

Other Similar products are found below :

[00171430102](#) [00171420102](#) [600HL](#) [600RJ-07](#) [600RJ-11](#) [600RJ-14](#) [600RJS-10](#) [600RJS-12](#) [600RJS-15](#) [600RJS-21](#) [601RJ-09](#) [602SP](#) [602Z](#)  
[604J](#) [CSTSPC1-2](#) [7B941-7](#) [88943-2100](#) [QC102](#) [1437403-6](#) [1437403-9](#) [1437403-8](#) [1453128-1](#) [147832-1](#) [EC0037-000](#) [MT2/H--](#) [MT6/H-N](#)  
[MT6/V-GRND](#) [MT8/H-51-60](#) [BC2-12](#) [BCC-1-8/10](#) [EP2.5/4UN/BG](#) [1707755](#) [1735590](#) [1755480](#) [1789281](#) [1840227](#) [1840230](#) [2-1437402-1](#)  
[JA2-03](#) [JB1-03/J](#) [JB2-04](#) [JB2-05](#) [JB2-07](#) [JB2-09/J](#) [PARALLELJUMPERLINK](#) [JS601](#) [2204082](#) [2302463](#) [2305949](#) [8PCV-BUSHING](#)