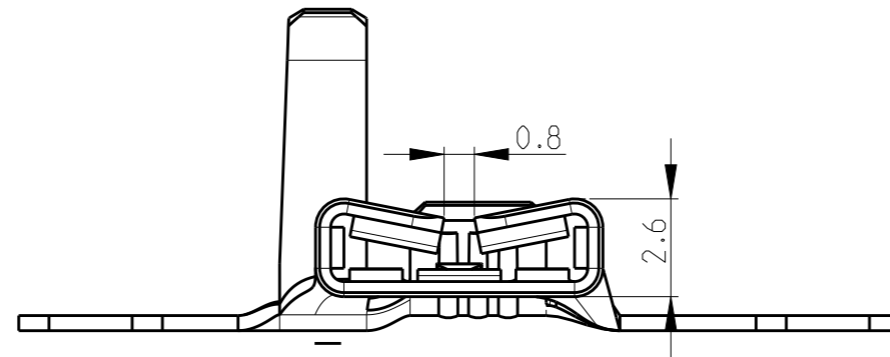
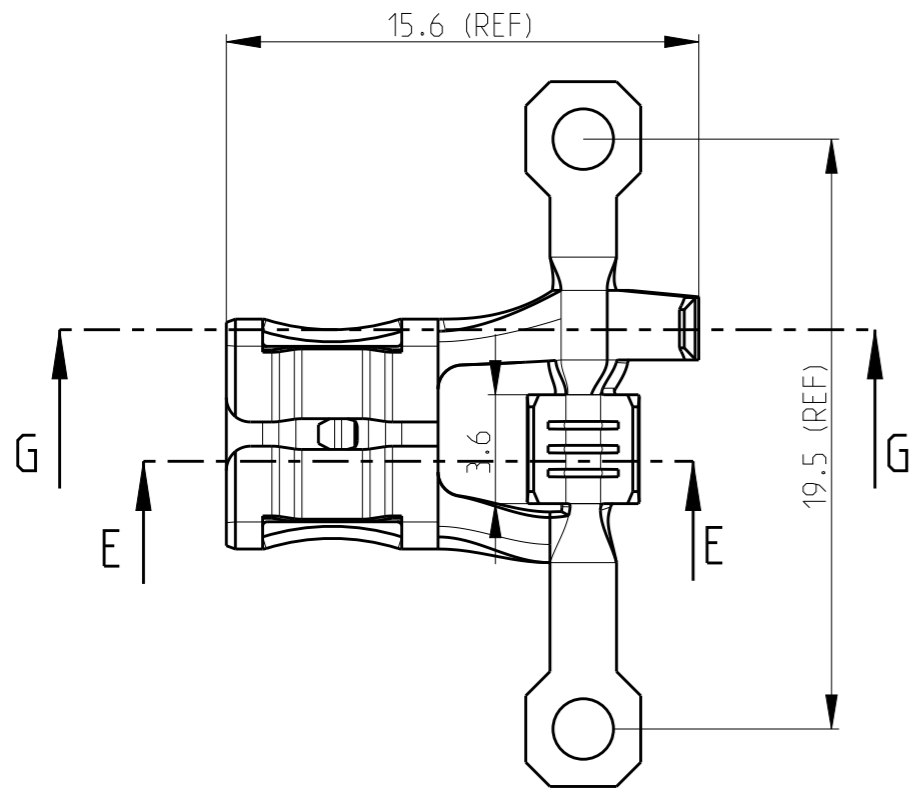
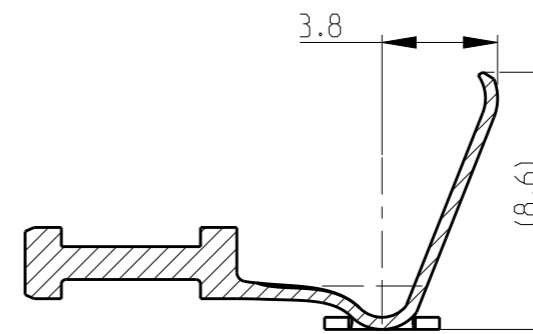
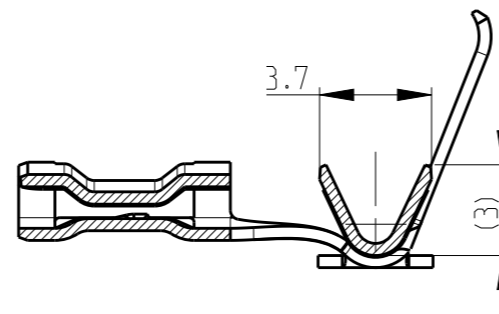
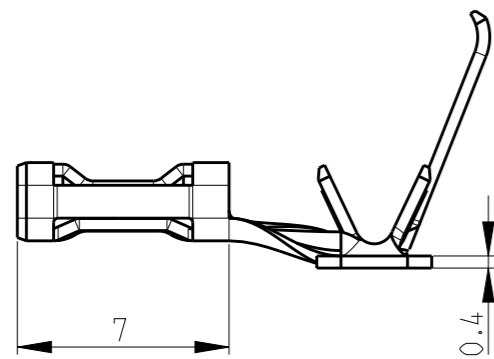


THIS DRAWING IS UNPUBLISHED. RELEASED FOR PUBLICATION 20
 © COPYRIGHT 20 BY TYCO ELECTRONICS CORPORATION ALL RIGHTS RESERVED.

LOC	DIST	REVISIONS			
P	LTR	DESCRIPTION	DATE	DWN	APVD
-	-	A1	RELEASE PER ECR-15-004911	31MAR2015	DL TD
		A2	RELEASE PER ECR-15-013713	21SEP2015	DL TD
		A3	RELEASE PER ECR-16-008480	12JUN2016	HG TD
		B	REVISED PER ECR-16-017586	18NOV2020	BDA DL

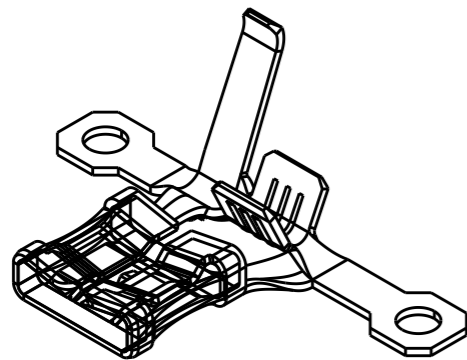


- NOTE:
1. CONTINUOUS STRIP ON REELS
 2. MATING TAB ACCORDING TO UL310 AND IEC61210 NORM. (WIDTH*THICKNESS IS 6.3*0.8 mm)
 3. WIRE SIZE IS #20-#16 AWG(0.5-1.5 sqmm)
 4. INSULATION RANGE IS Ø1.9-3.3mm
 5. CUT-OFF LENGTH 0.5 mm MAX.




SECTION E-E

SECTION G-G



Pre-NICKEL	Steel	2178423-1
FINISH	MATERIAL	PART NO.

THIS DRAWING IS A CONTROLLED DOCUMENT.		DWN VIBHUTHI 29NOV2012	 TE Connectivity	
DIMENSIONS: mm		CHK SUBHASH M 29NOV2012		
TOLERANCES UNLESS OTHERWISE SPECIFIED:		APVD SURESH T N 29NOV2012		
0 PLC ±0.5 1 PLC ±0.5 2 PLC ±0.25 3 PLC ± 4 PLC ± ANGLES ±1°		PRODUCT SPEC 108-64027		
MATERIAL SEE TABLE		FINISH SEE TABLE	NAME 6.3 SRS FLAG F-SPRING LIF RECEPTACLE	
		WEIGHT -	SIZE A3	CAGE CODE 00779
		Customer Drawing	DRAWING NO C=2178423	RESTRICTED TO -
			SCALE 4:1	SHEET 1 OF 1
				REV B

X-ON Electronics

Largest Supplier of Electrical and Electronic Components

Click to view similar products for [Terminals](#) category:

Click to view products by [TE Connectivity](#) manufacturer:

Other Similar products are found below :

[00-054007-01074-6](#) [00-054007-70206-1](#) [00-054007-70210-8](#) [00-054007-70217-7](#) [00-054007-70226-9](#) [00-054007-70228-3](#) [00-054007-70248-1](#) [00-054007-70256-6](#) [00-054007-70301-3](#) [00-054007-70316-7](#) [0-0320562-0](#) [00-054007-49560-4](#) [00-054007-70209-2](#) [00-054007-70225-2](#) [00-054007-70227-6](#) [00-054007-70231-3](#) [00-054007-70241-2](#) [00-054007-70242-9](#) [00-054007-70244-3](#) [00-054007-70246-7](#) [00-054007-70263-4](#) [00-054007-70288-7](#) [00-054007-70290-0](#) [00-054007-70300-6](#) [00-054007-70304-4](#) [01-2065-1-0216](#) [01-2900-1-04412](#) [00581P0075](#) [600TS-10](#) [60205-1](#) [604200-1](#) [605601-1](#) [60598-1-CUT-TAPE](#) [61314-6-C](#) [61810-3](#) [61-S](#) [61-SN](#) [626-0194](#) [62-NBM-A](#) [62-SN](#) [62-SP](#) [63-S](#) [640179-1](#) [M55155/059I03](#) [M55155/079C01](#) [M55155/099H02](#) [M55155/109H01](#) [M55155/109H02](#) [M55155/12XH05](#) [M55155/16XH02](#)