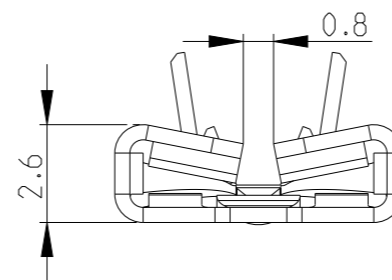
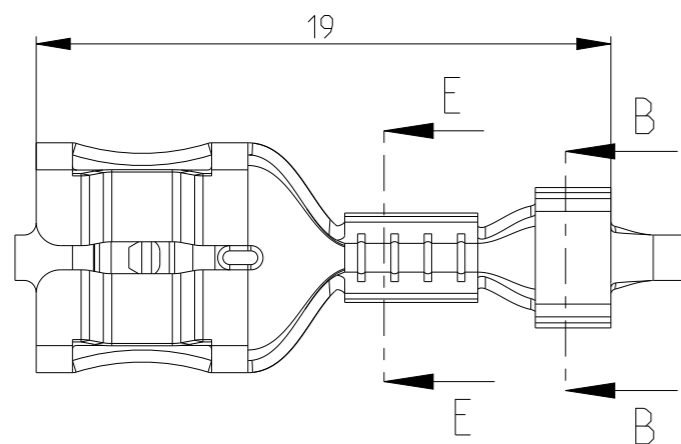
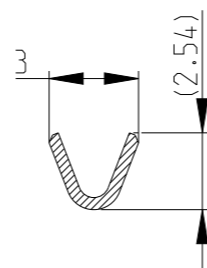
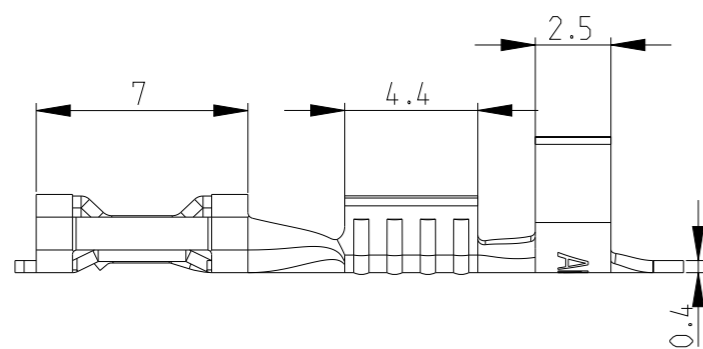


LOC	DIST	REVISIONS					
		P	LTR	DESCRIPTION	DATE	DWN	APVD
-	-		A	REV.A RELEASE BASED ON REV.3	23OCT2014	DL	TD
			A1	RELEASE PER ECR-14-018864	24DEC2014	DL	TD
			C	REVISED PER ECR-20-100866	26NOV2020	BDA	DL

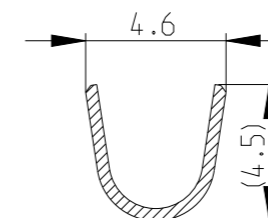


NOTE:

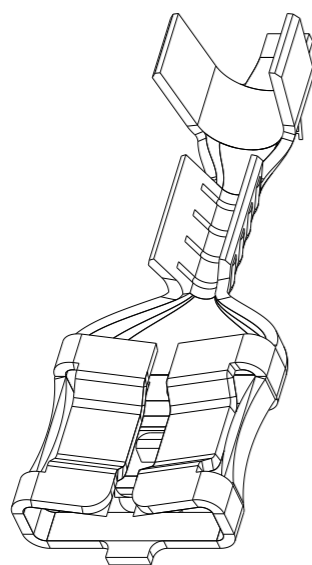
1. CONTINUOUS STRIP ON REELS
2. MATING TAB ACCORDING TO UL310 AND IEC61210 NORM. (WIDTH*THICKNESS IS 6.3*0.8mm)
3. WIRE RANGE IS #24-#20 AWG(0.2-0.52 sqmm)
4. INSULATION RANGE IS \varnothing 1.4-2.1mm
5. CUT-OFF TAB LENGTH 0.5mm MAX.




SECTION E-E



SECTION B-B



Pre-NICKEL	Steel	2178438-1
FINISH	MATERIAL	PART NO.

THIS DRAWING IS A CONTROLLED DOCUMENT.		DWN VIBHUTHI 29NOV2012	 TE Connectivity				
DIMENSIONS: mm		CHK SUBHASH M 29NOV2012					
TOLERANCES UNLESS OTHERWISE SPECIFIED:		APVD SURESH T N 29NOV2012					
0 PLC ± 0.5 1 PLC ± 0.5 2 PLC ± 0.25 3 PLC \pm 4 PLC \pm ANGLES $\pm 1^\circ$		NAME 6.3 SRS F-SPRING LIF RECEPTACLE					
MATERIAL SEE TABLE		FINISH SEE TABLE	PRODUCT SPEC 108-64027	SIZE A3	CAGE CODE 00779	DRAWING NO C=2178438	RESTRICTED TO
			APPLICATION SPEC 114-64027	SCALE 4:1		SHEET 1 OF 1	REV C
			WEIGHT -	CUSTOMER DRAWING			

X-ON Electronics

Largest Supplier of Electrical and Electronic Components

Click to view similar products for [Terminals](#) category:

Click to view products by [TE Connectivity](#) manufacturer:

Other Similar products are found below :

[00-054007-01074-6](#) [00-054007-70206-1](#) [00-054007-70210-8](#) [00-054007-70217-7](#) [00-054007-70226-9](#) [00-054007-70228-3](#) [00-054007-70248-1](#) [00-054007-70256-6](#) [00-054007-70301-3](#) [00-054007-70316-7](#) [00-054007-49560-4](#) [00-054007-70209-2](#) [00-054007-70225-2](#) [00-054007-70227-6](#) [00-054007-70231-3](#) [00-054007-70241-2](#) [00-054007-70242-9](#) [00-054007-70244-3](#) [00-054007-70246-7](#) [00-054007-70263-4](#) [00-054007-70288-7](#) [00-054007-70290-0](#) [00-054007-70300-6](#) [00-054007-70304-4](#) [01-2065-1-0216](#) [01-2900-1-04412](#) [00581P0075](#) [600TS-10](#) [60205-1](#) [604200-1](#) [605601-1](#) [60598-1-CUT-TAPE](#) [61314-6-C](#) [61810-3](#) [61-S](#) [61-SN](#) [626-0194](#) [62-NBM-A](#) [62-SN](#) [62-SP](#) [63-S](#) [640179-1](#) [M55155/059I03](#) [M55155/079C01](#) [M55155/099H02](#) [M55155/109H01](#) [M55155/109H02](#) [M55155/12XH05](#) [M55155/16XH02](#) [M55155/29-5S](#)