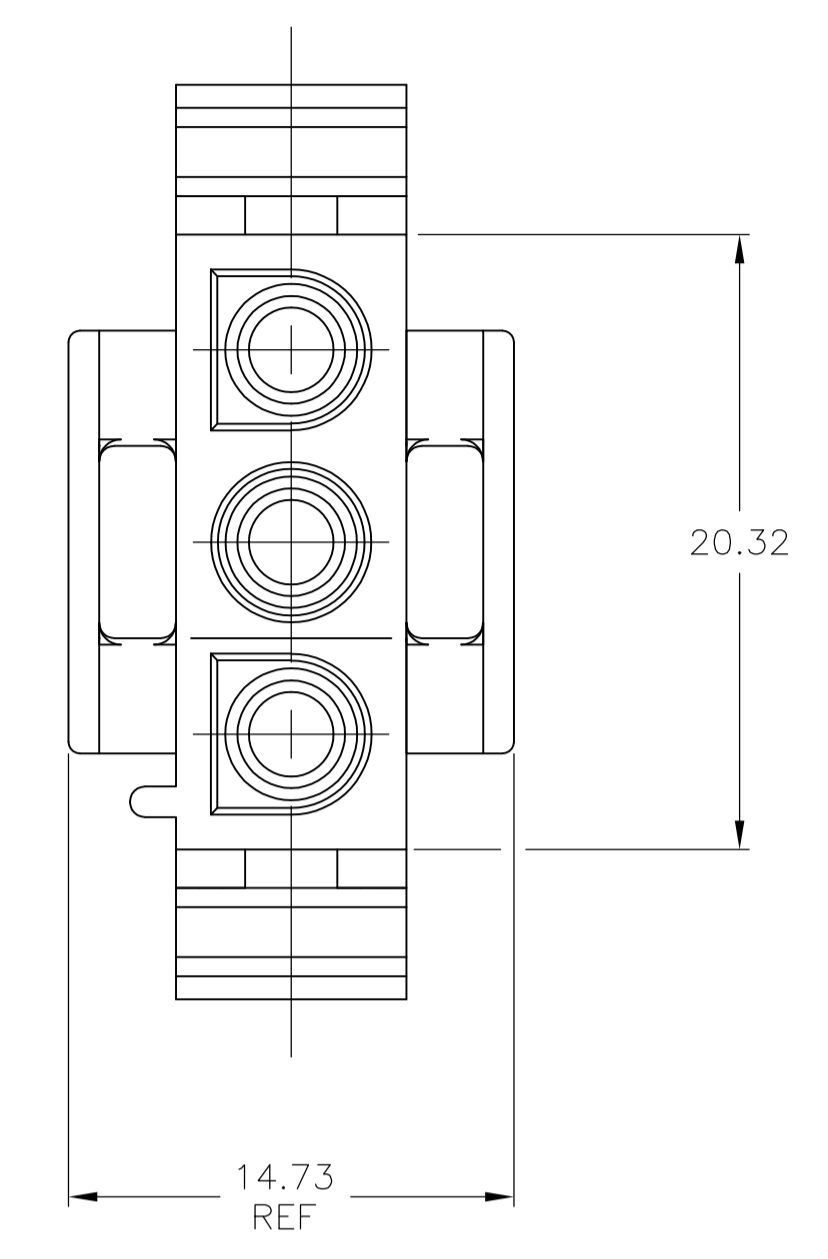
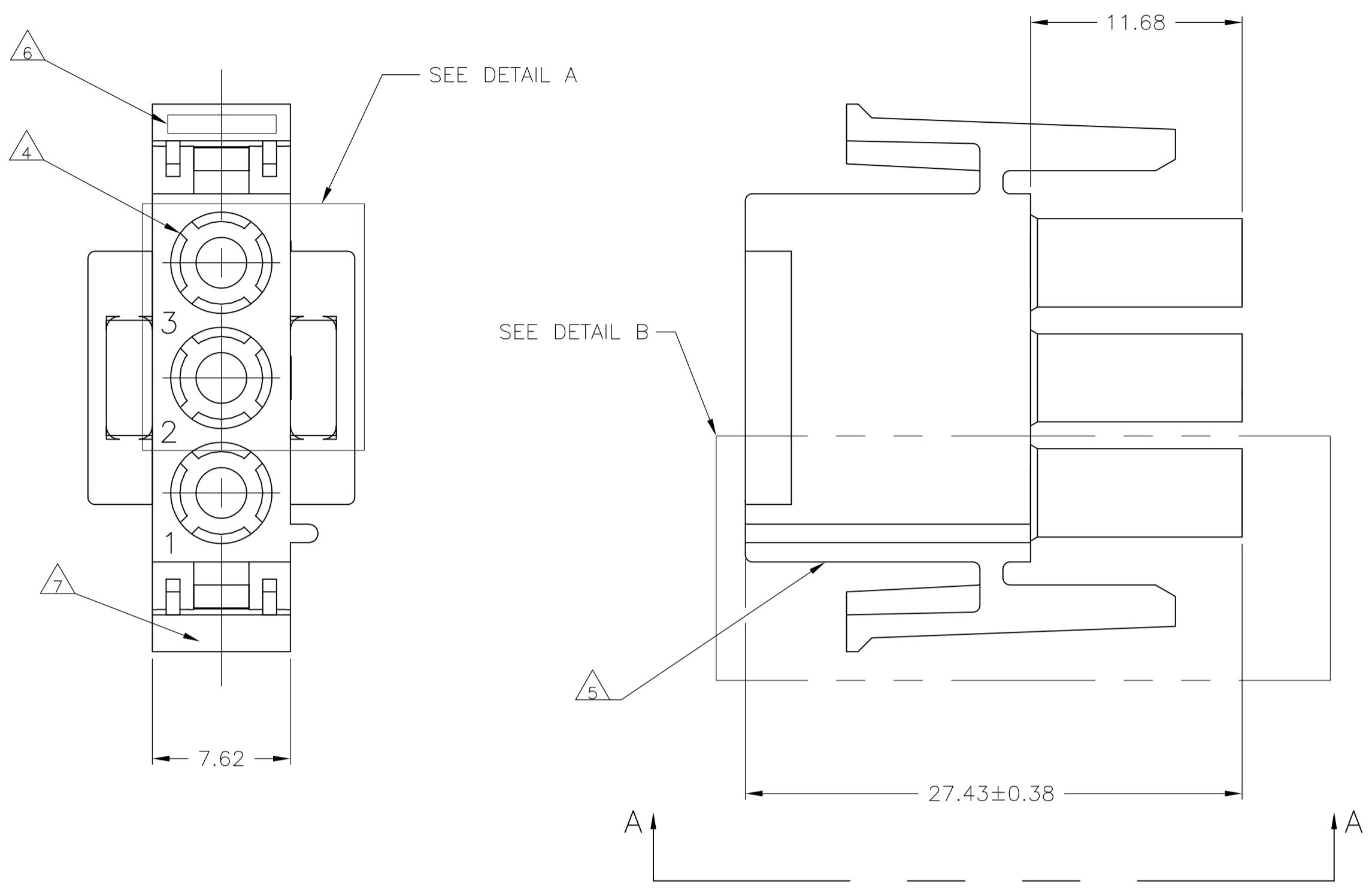
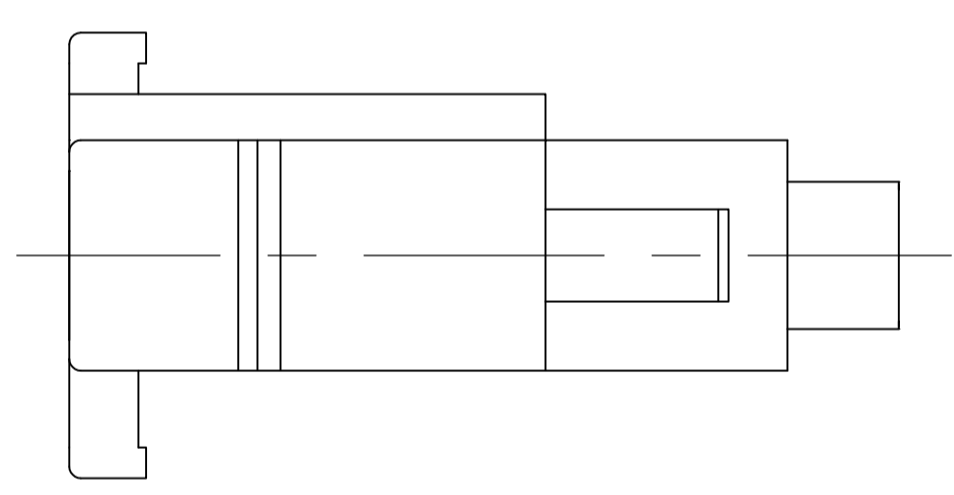


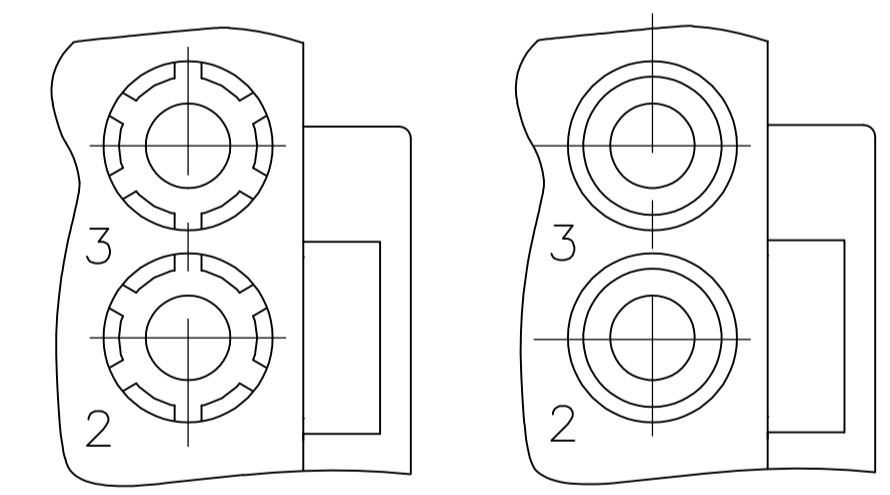
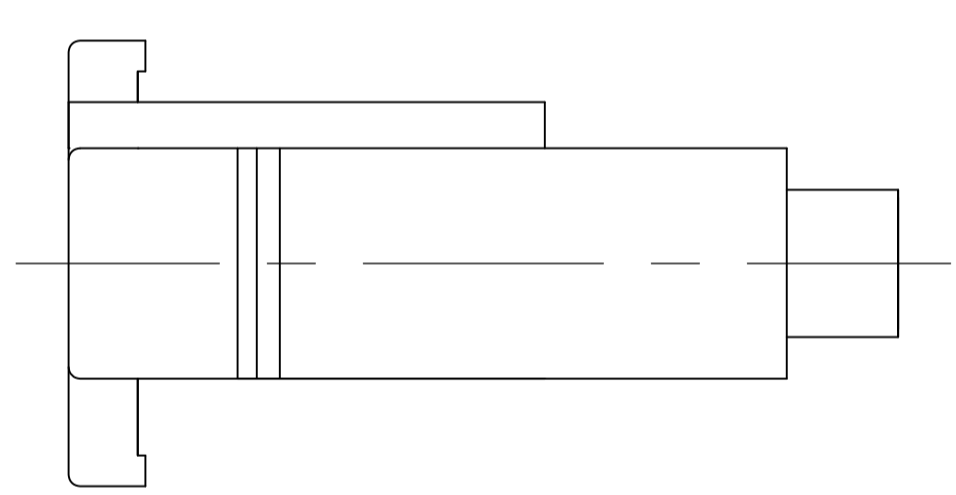
LOC	DIST	REVISIONS				
CM	00	REV	DESCRIPTION	DATE	BY	APPV
		A3	REVISED PER ECR-17-015922	07NOV2017	BDA	KR



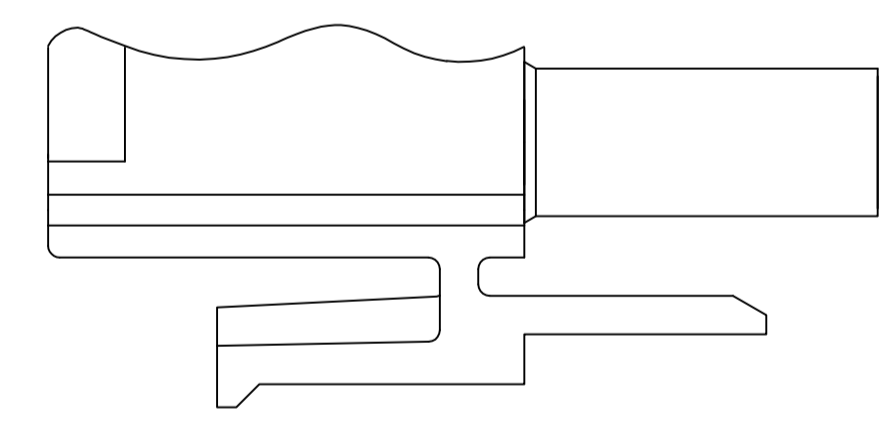
- MATES WITH APPROPRIATE UNIVERSAL MATE-N-LOK™ CAP OR HEADER.
  - SMALL NICKS ARE PERMITTED ON THE CIRCUIT TOWERS WHICH COULD INCREASE THE INITIAL HOUSING MATING FORCE BY UP TO 4.4 NEWTONS [1.0 LBS]. NO INDIVIDUAL NICKED TOWER SHALL INCREASE THIS FORCE BY OVER 2.2 NEWTONS [.5 LBS].
  - DIMENSIONS SHOWN REPRESENT PRODUCT IN DRY, AS MOLDED, CONDITION. ADDITIONAL 2% GROWTH DUE TO SUBSEQUENT MOISTURE ABSORPTION MAY OCCUR AND SHOULD BE ACCOUNTED FOR.
- △4 FOUR RIBS EQUALLY SPACED, NO SPECIFIC ORIENTATION. NO RIBS OR SIX RIBS EQUALLY SPACED, NO SPECIFIC ORIENTATION, OPTIONAL.
  - △5 UNDERWRITERS RECOGNIZED COMPONENT LOGO TO BE LOCATED ONCE EACH ON SIDE OF HOUSING.
  - △6 TRADEMARK LOCATION (AMP OR TE CONNECTIVITY).
  - △7 MANUFACTURING LOCATION ID (OPTIONAL).
  - △8 MATERIAL CORRESPONDING TO THE REQUIREMENT OF IEC60335-1 (INCL. GLOW WIRE TEST 750° C WITHOUT FLAME)
  - △9 PRELIMINARY PART NOT RELEASED FOR PRODUCTION.
  - △10 NO LATCH WINDOW PRESENT.
  - △11 LATCH WINDOW PRESENT.



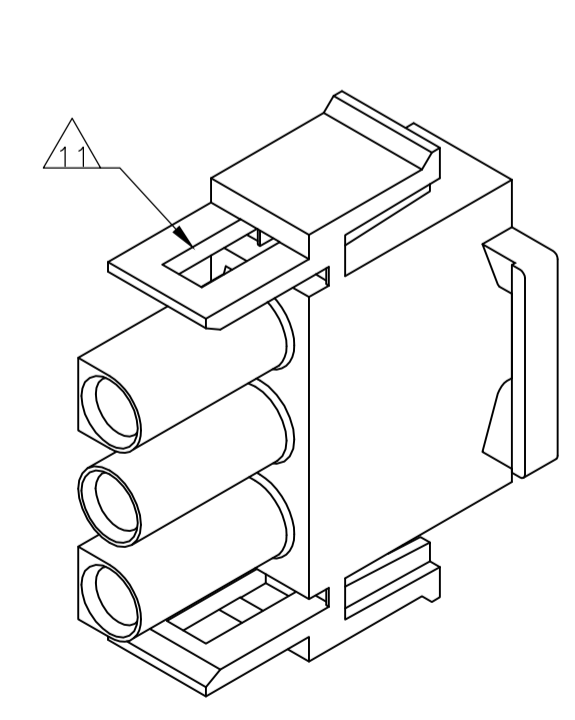
VIEW A-A  
2178473-3 ONLY



DETAIL A  
OPTIONAL CONSTRUCTION



DETAIL B  
2178473-3 ONLY



2178473-3

MM	IN
27.43	1.080
20.32	.800
14.73	.580
11.68	.460
7.62	.300
0.38	.015
0.13	.005

CONVERSION TABLE

REMARKS	MATERIAL	COLOR	PART NUMBER
△8/△11	PA66 UL94-V0 GWT750°C (NO FLAME)	NATURAL	2178473-3
△8/△10	PA66 UL94-V0 GWT750°C (NO FLAME)	NATURAL	2178473-2
△9/△10	PA6 UL94-V0	NATURAL	2178473-1

THIS DRAWING IS A CONTROLLED DOCUMENT.

DIMENSIONS: mm	TOLERANCES UNLESS OTHERWISE SPECIFIED:	0 PLC ± -	1 PLC ± -	2 PLC ± 0.13 [.005]	3 PLC ± -	4 PLC ± -	ANGLES ± 0°30'	FINISH -
----------------	--	-----------	-----------	---------------------	-----------	-----------	----------------	----------

MATERIAL SEE TABLE	FINISH -	WEIGHT	SIZE	CAGE CODE	DRAWING NO	RESTRICTED TO
			A1	00779	2178473	-

CUSTOMER DRAWING SCALE 4:1 SHEET 1 OF 1 REV A3

**STE** TE Connectivity  
PLUG, 3 CIRCUIT, UNIVERSAL MATE-N-LOK

## X-ON Electronics

Largest Supplier of Electrical and Electronic Components

*Click to view similar products for [Pin & Socket Connectors](#) category:*

*Click to view products by [TE Connectivity](#) manufacturer:*

Other Similar products are found below :

[6450822-1](#) [770392-1](#) [794042-1](#) [796885-1](#) [8-794535-1](#) [PLR3455ACS-222](#) [R929991004](#) [R929993003](#) [1403611-1](#) [1-480349-5](#) [152302-5](#)  
[153211-2](#) [1586092-1](#) [1586129-1](#) [1586681-4](#) [1586700-1](#) [1586368-1](#) [1586380-1](#) [1586616-1](#) [1586680-5](#) [16-06-0038](#) [164164-5](#) [1-6609930-1](#)  
[172296-1](#) [19-09-2035](#) [200503-1](#) [200788-2](#) [2029090-4](#) [2029095-4](#) [925061-7](#) [293734-4](#) [293737-2](#) [1-765362-4](#) [1871534-1](#) [200833-4](#)  
[2008625-2](#) [2029027-2](#) [2029096-4](#) [R929991000](#) [R929991002](#) [R929993000](#) [319-10-101-00-005000](#) [319-10-102-00-001000](#) [319-10-104-00-001000](#) [319-10-105-00-001000](#) [319-10-108-00-001000](#) [319-10-112-00-006000](#) [39-01-8019](#) [319-10-101-00-001000](#) [319-10-102-00-005000](#)