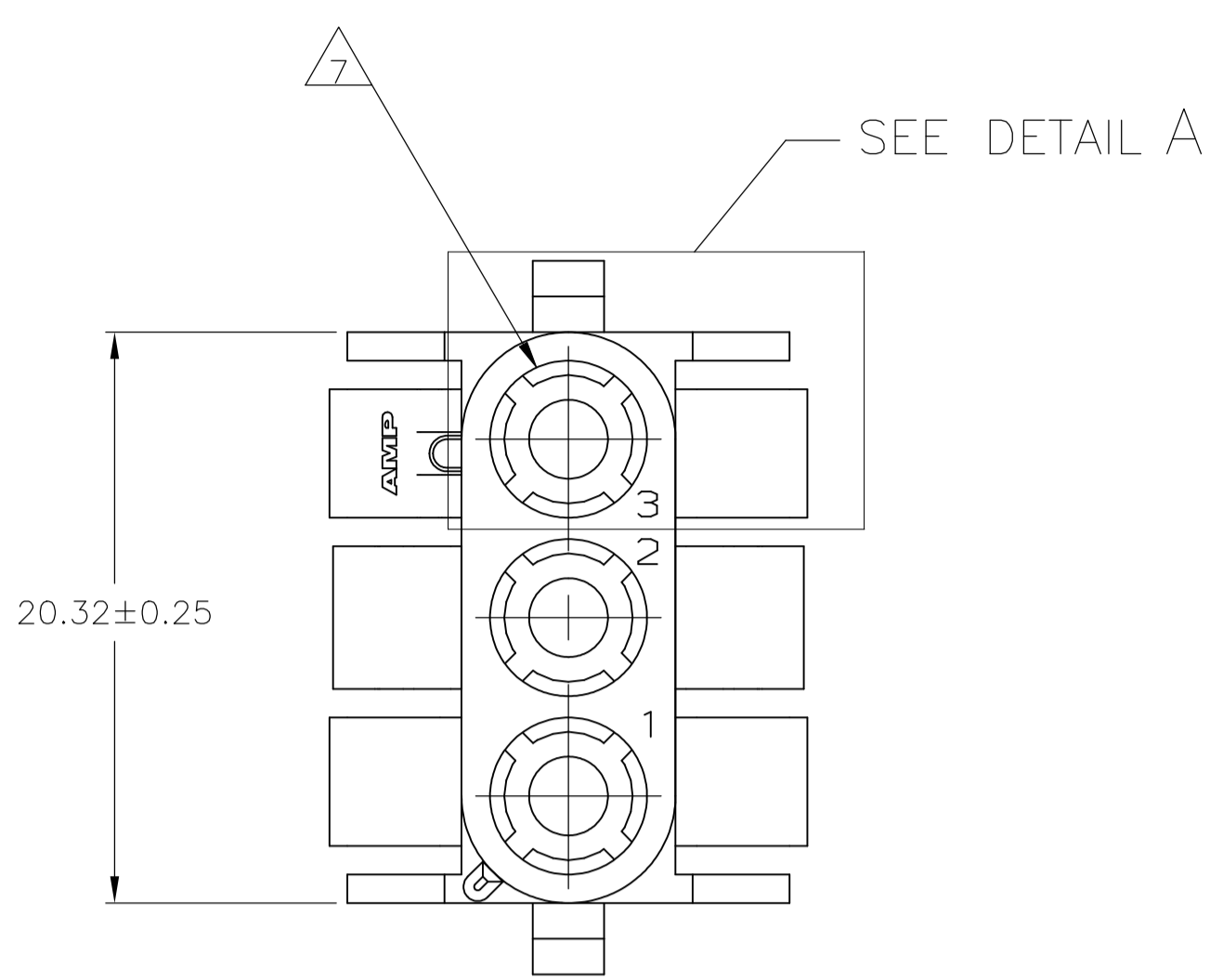
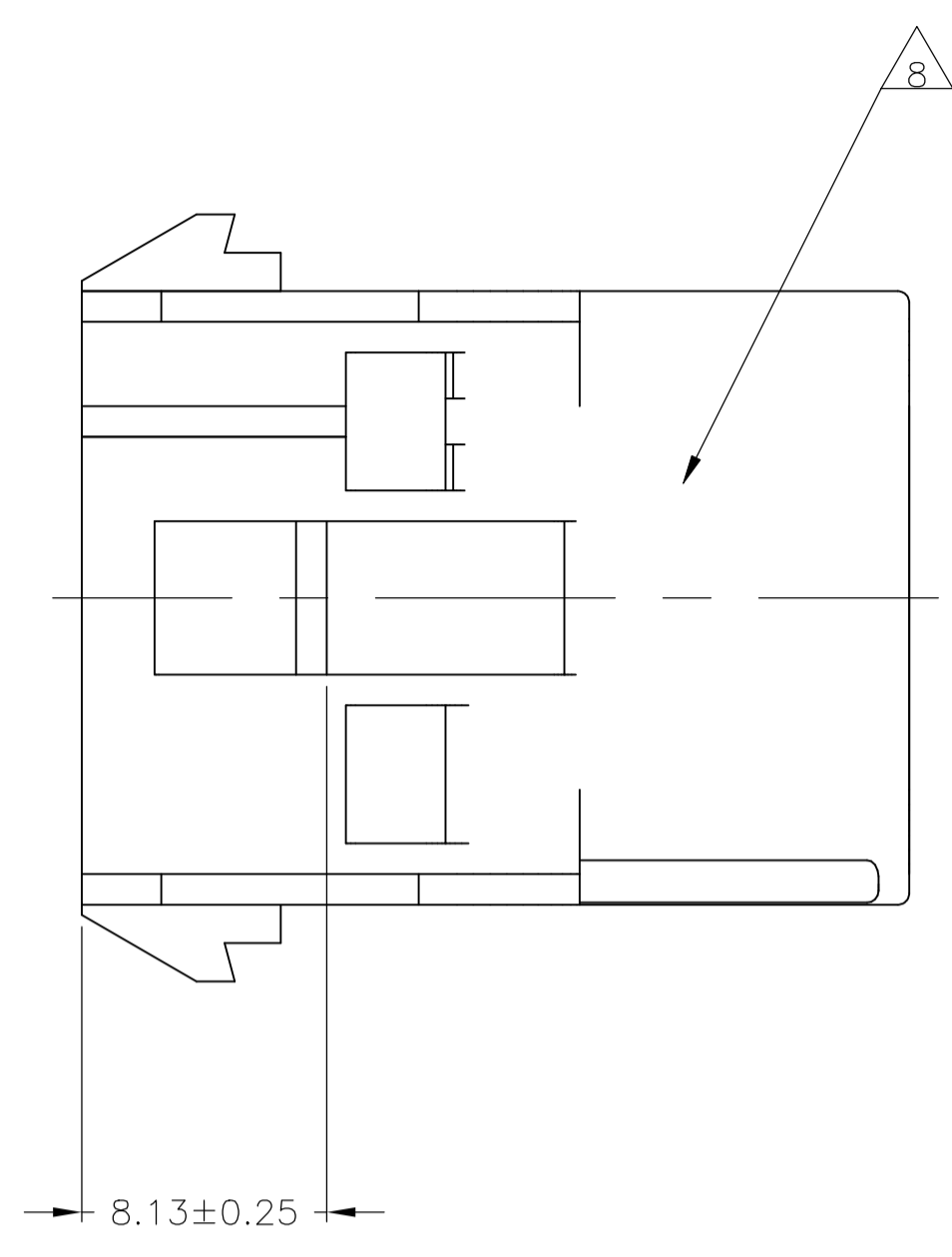
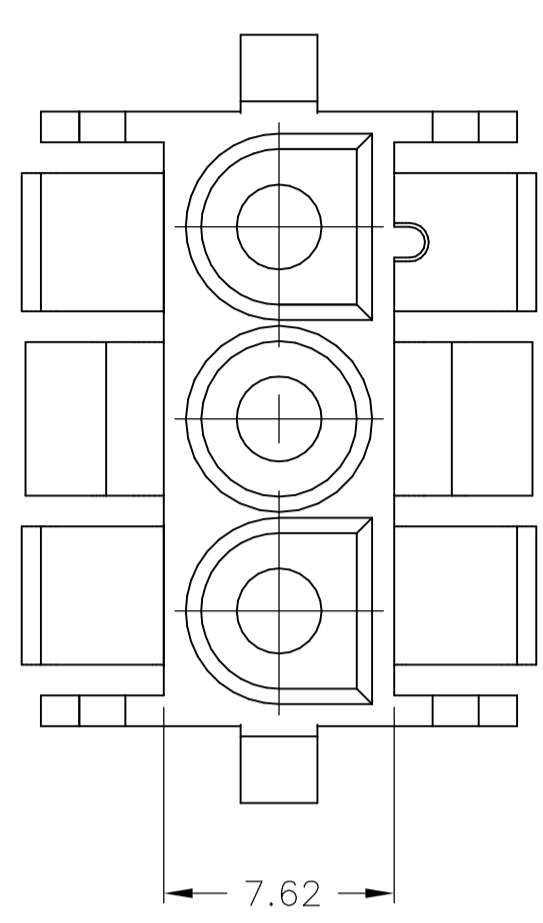
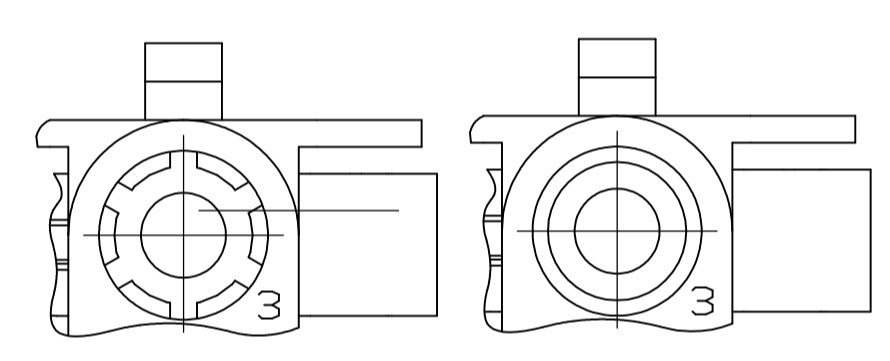


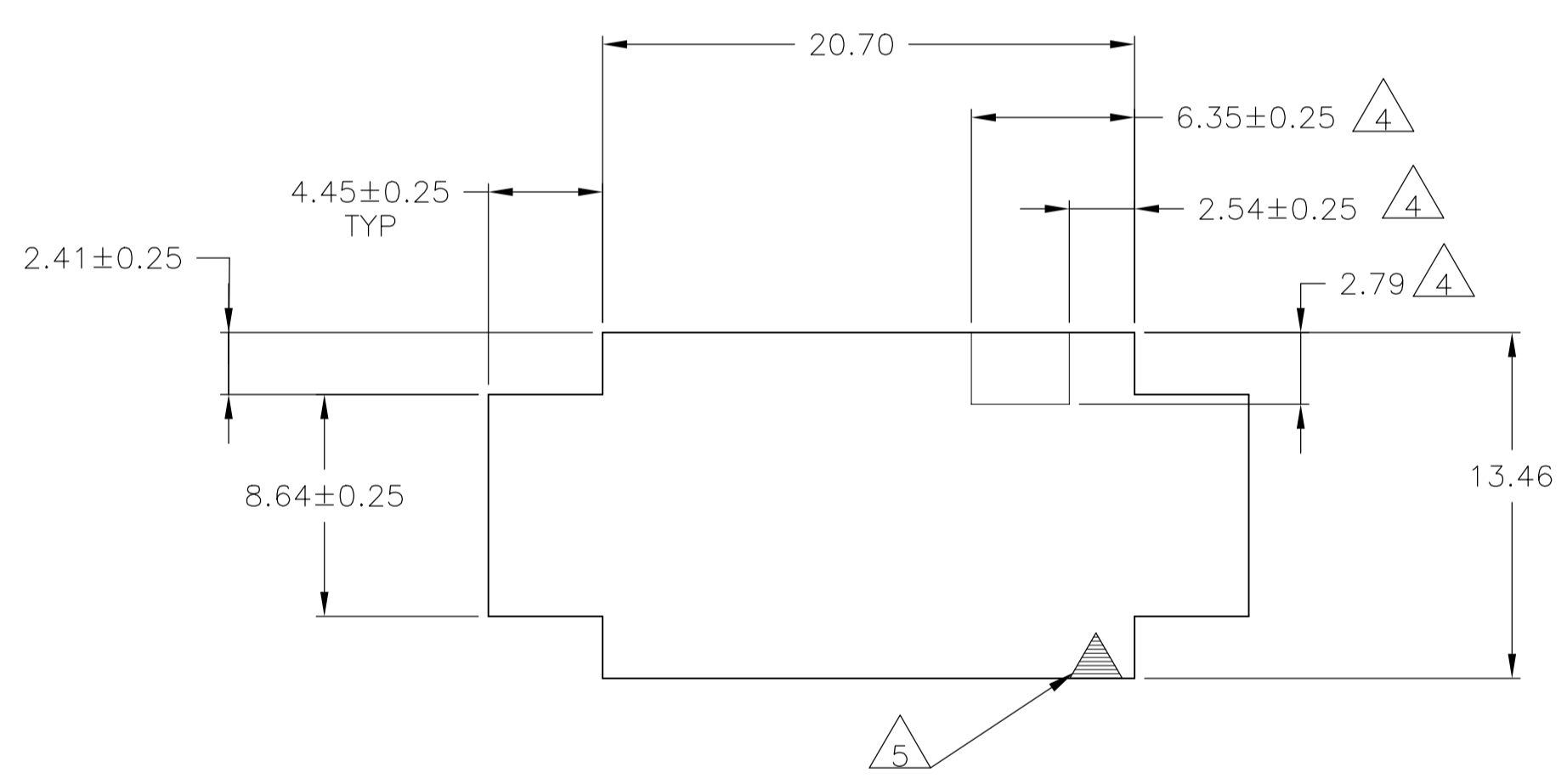
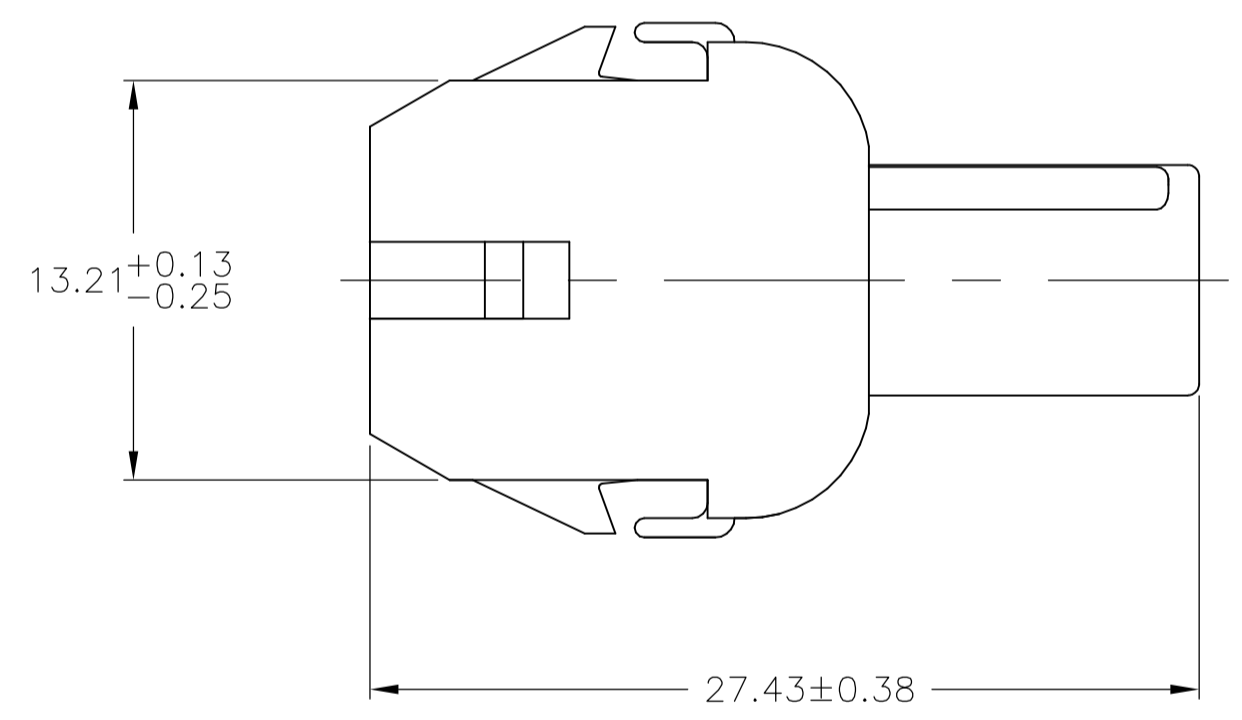
REVISIONS				
P	LTR	DESCRIPTION	DATE	DWN   APVD
A2		REVISED PER ECR-17-015922	07NOV2017	BDA   KR



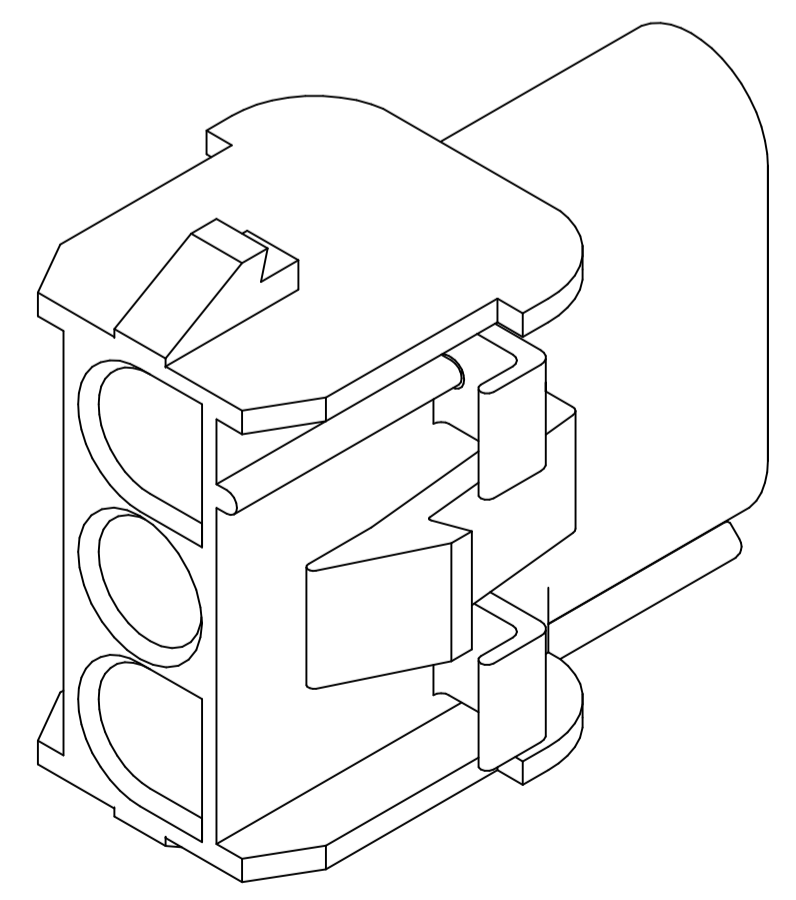
1. MATES WITH APPROPRIATE UNIVERSAL MATE-N-LOK™ PLUG.
2. RECOMMENDED PANEL THICKNESS 0.76 - 2.29.
3. PANEL MUST BE PUNCHED SO THAT THE HOUSING ENTERS THE PANEL IN THE SAME DIRECTION AS THE PUNCH.
4. OPTIONAL FOR KEYING HOUSING IN PANEL.
5. CIRCUIT NUMBER 1 LOCATION.
6. DIMENSIONS SHOWN REPRESENT PRODUCT IN DRY, AS MOLDED, CONDITION. ADDITIONAL 2% GROWTH DUE TO SUBSEQUENT MOISTURE ABSORPTION MAY OCCUR AND SHOULD BE ACCOUNTED FOR.
7. FOUR RIBS EQUALLY SPACED, NO SPECIFIC ORIENTATION. NO RIBS OR SIX RIBS EQUALLY SPACED, NO SPECIFIC ORIENTATION, OPTIONAL.
8. UNDERWRITERS RECOGNIZED COMPONENT LOGO TO BE LOCATED ONCE EACH ON SIDE OF HOUSING.
9. MATERIAL CORRESPONDING TO THE REQUIREMENT OF IEC60335-1 (INCL. GLOW WIRE TEST 750° C WITHOUT FLAME)
10. PRELIMINARY PART NOT RELEASED FOR PRODUCTION.



DETAIL A  
OPTIONAL CONSTRUCTION



RECOMMENDED PANEL CUT OUT



3-DIMENSIONAL MODEL  
NTS

4.45	.175	27.43	1.080
2.79	.110	20.70	.815
2.54	.100	20.32	.800
2.41	.095	13.46	.530
2.29	.090	13.21	.520
0.76	.030	8.64	.340
0.38	.015	8.13	.320
0.25	.010	7.62	.300
0.13	.005	6.35	.250
MM	IN	MM	IN

CONVERSION TABLE

NATURAL	△ PA 66 UL94V-0 (GWT 750°C NO FLAME)	2178474-2
NATURAL	PA6 UL94V-0	2178474-1
COLOR	MATERIAL	PART NUMBER

THIS DRAWING IS A CONTROLLED DOCUMENT.		DWN	24JUN2013	MGT		24JUN2013	TE Connectivity	
DIMENSIONS:		CHK	24JUN2013	R.P.		24JUN2013	NAME	
mm		TOLERANCES UNLESS OTHERWISE SPECIFIED:		R.P.		24JUN2013	CAP_3 CIRCUIT, UNIVERSAL MATE-N-LOK™	
0. PLC ± -		1. PLC ± -		R.P.		24JUN2013	PRODUCT SPEC	
1. PLC ± -		2. PLC ± 0.13		R.P.		24JUN2013	APPLICATION SPEC	
2. PLC ± -		3. PLC ± -		R.P.		24JUN2013	SIZE	
3. PLC ± -		4. PLC ± -		R.P.		24JUN2013	CAGE CODE	
4. PLC ± -		ANGLES ± 1°		R.P.		24JUN2013	DRAWING NO	
MATERIAL		FINISH		R.P.		24JUN2013	RESTRICTED TO	
SEE TABLE		-		R.P.		24JUN2013	A1 00779	
CUSTOMER DRAWING		SCALE		SHEET		REV		
4:1		1 OF 1		A2				

## X-ON Electronics

Largest Supplier of Electrical and Electronic Components

*Click to view similar products for [Pin & Socket Connectors](#) category:*

*Click to view products by [TE Connectivity](#) manufacturer:*

Other Similar products are found below :

[6450822-1](#) [770392-1](#) [794042-1](#) [796885-1](#) [8-794535-1](#) [PLR3455ACS-222](#) [R929991004](#) [R929993003](#) [1403611-1](#) [1-480349-5](#) [152302-5](#)  
[153211-2](#) [1586092-1](#) [1586129-1](#) [1586681-4](#) [1586700-1](#) [1586368-1](#) [1586380-1](#) [1586616-1](#) [1586680-5](#) [16-06-0038](#) [164164-5](#) [1-6609930-1](#)  
[172296-1](#) [19-09-2035](#) [200503-1](#) [200788-2](#) [2029090-4](#) [2029095-4](#) [925061-7](#) [293734-4](#) [293737-2](#) [1-765362-4](#) [1871534-1](#) [200833-4](#)  
[2008625-2](#) [2029027-2](#) [2029096-4](#) [R929991000](#) [R929991002](#) [R929993000](#) [319-10-101-00-005000](#) [319-10-102-00-001000](#) [319-10-104-00-001000](#) [319-10-105-00-001000](#) [319-10-108-00-001000](#) [319-10-112-00-006000](#) [39-01-8019](#) [319-10-101-00-001000](#) [319-10-102-00-005000](#)