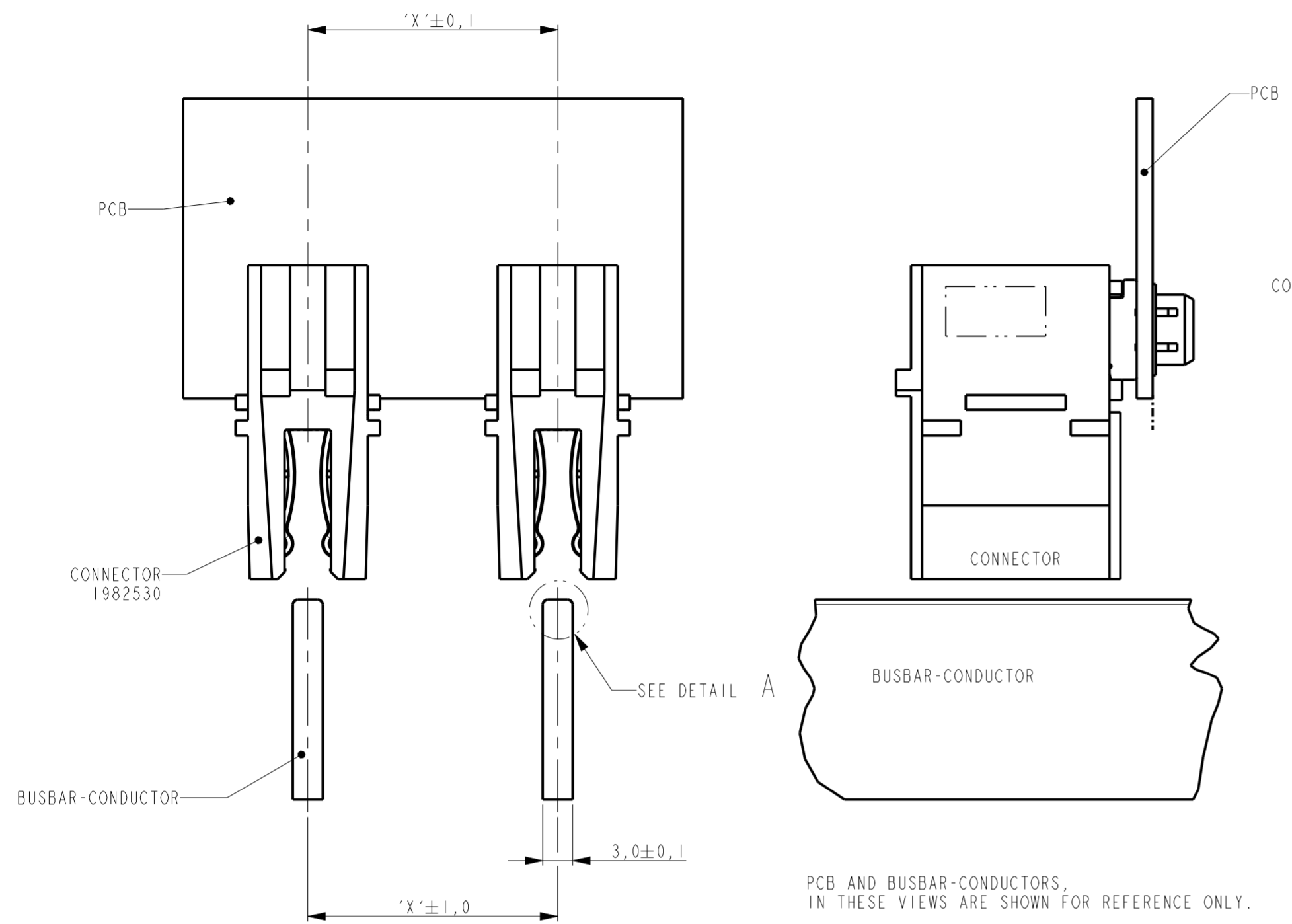
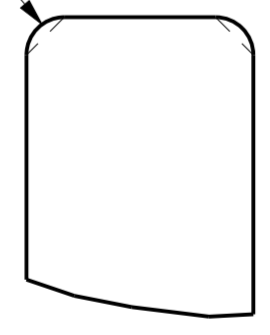


THIS DRAWING IS UNPUBLISHED. RELEASED FOR PUBLICATION
 © COPYRIGHT - BY - TE CONNECTIVITY ALL RIGHTS RESERVED.

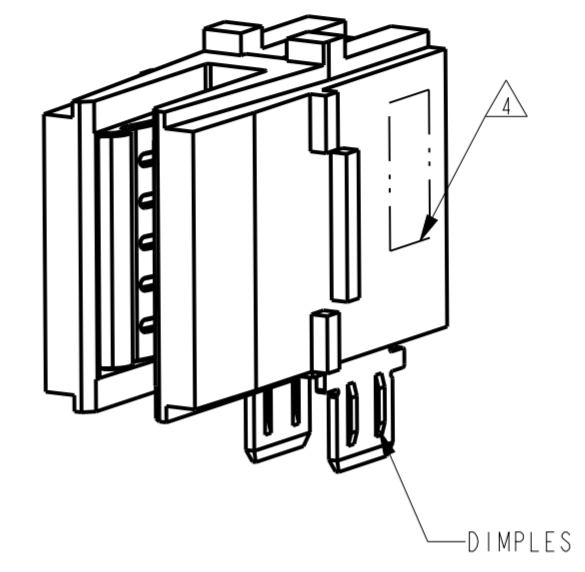
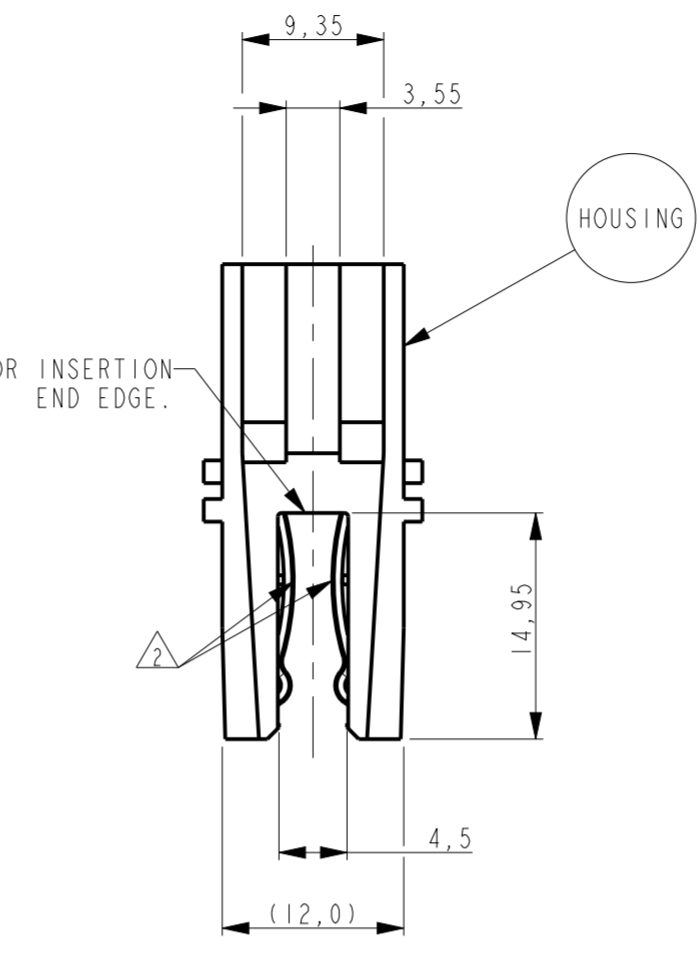
LOC	DIST	REVISIONS					
ES	00	P	LTR	DESCRIPTION	DATE	DWN	APVD
		A4		REV PER ECR-15-005882	20APR2015	ML	SZ
		A5		REV PER ECO-19-010336. NEW P/N -4	26JUN2018	ML	SZ
		A6		REV PER ECO-20-015555. P VIEW CORRECT	16NOV2020	ML	SZ



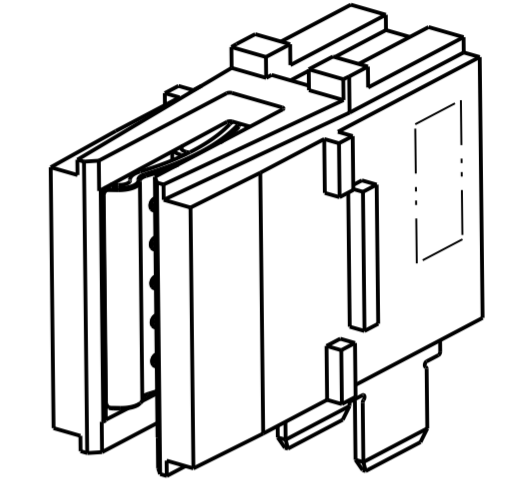
0.5MM MIN. RADIUS OR CHAMFERED WITH ROUND TREAT ON BUSBAR-CONDUCTOR RECOMMENDED THE SHARP MATING EDGE SHALL BE PREVENTED



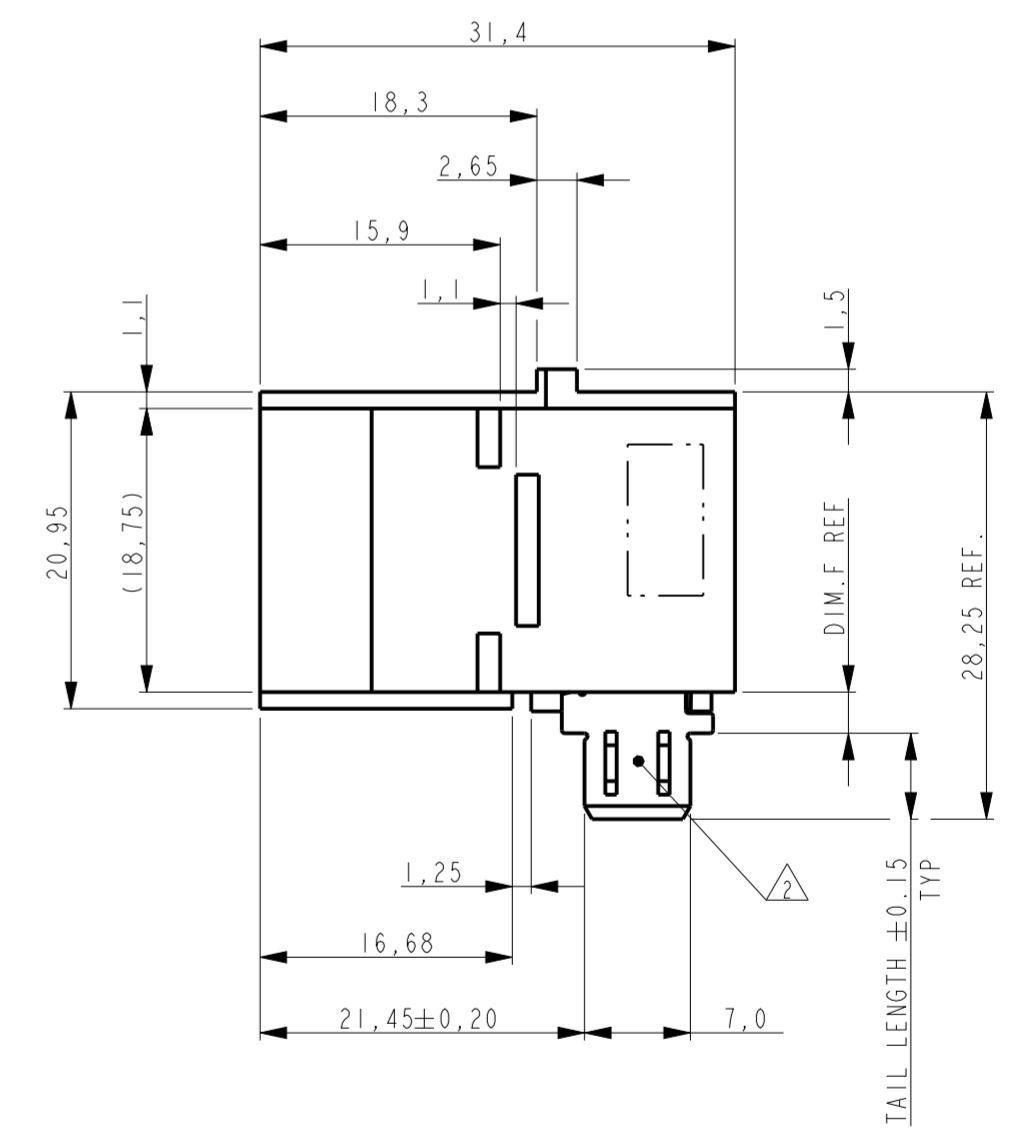
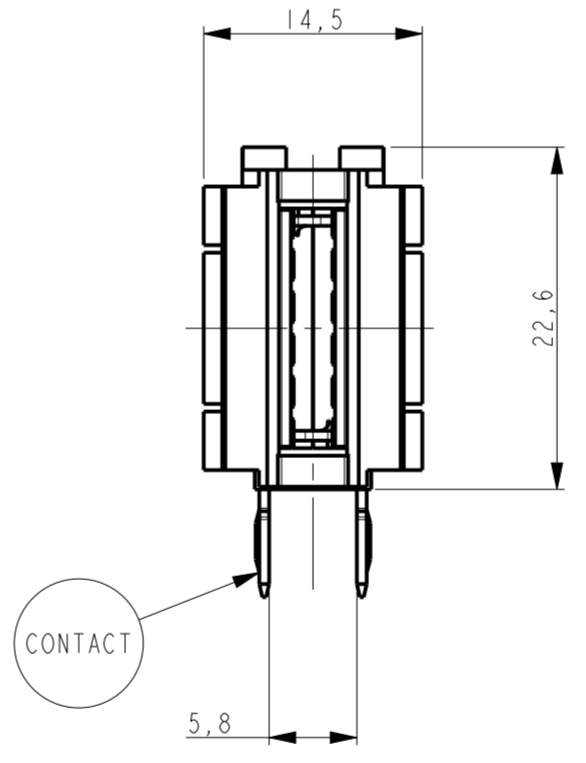
DETAIL A
SCALE 10:1



THE CONFIGURATION WITH DIMPLES
PRODUCT NUMBER 2178531-1/-3



THE CONFIGURATION WITHOUT DIMPLES
PRODUCT NUMBER 2178531-2/-4



- NOTES:
- PCB MUST BE SUPPORTED WHILE INSERTING THE CONNECTOR IN THE SLOTS TO AVOID BENDING OF THE BOARD.
 - PLATING: SILVER PLATING OVER NICKEL UNDERLAID ON THE CONTACT.
 - MATERIAL:
POWER CONTACT: HIGH CONDUCTIVITY COPPER ALLOY
HOUSING: THERMOPLASTIC, BLACK, UL94 V-0
 - AREA FOR PART NUMBER AND DATE-CODE.
 - PCB KEY DIMENSION.
 - THE REVERSION OF PRODUCT PART AND DRAWING MAY BE NONSYNCHRONOUS.

RECOMMENDED SOLDERING TYPE	TAIL LENGTH	DIM F	DIMPLE FEATURE	MATERIAL	P/N	ITEM
PIP REFLOW OR WAVE SOLDERING	3.40	4.0	NO	CROWN CLIP JUNIOR BUS BAR, REFLOW	2178531-4	4
WAVE SOLDERING	4.40	4.0	YES	CROWN CLIP JUNIOR BUS BAR	2178531-3	3
WAVE SOLDERING	5.68	2.7	NO	CROWN CLIP JUNIOR BUS BAR	2178531-2	2
WAVE SOLDERING	5.68	2.7	YES	CROWN CLIP JUNIOR BUS BAR	2178531-1	1

THIS DRAWING IS A CONTROLLED DOCUMENT.

DWN: SUDHAKAR 24JAN13
 CHK: SUDHAKAR 24JAN13
 APVD: RAJENDRA 24JAN13

STE TE Connectivity

NAME: PLUGGABLE BUSBAR CONNECTOR SOLDER VERSION CROWN CLIP JUNIOR

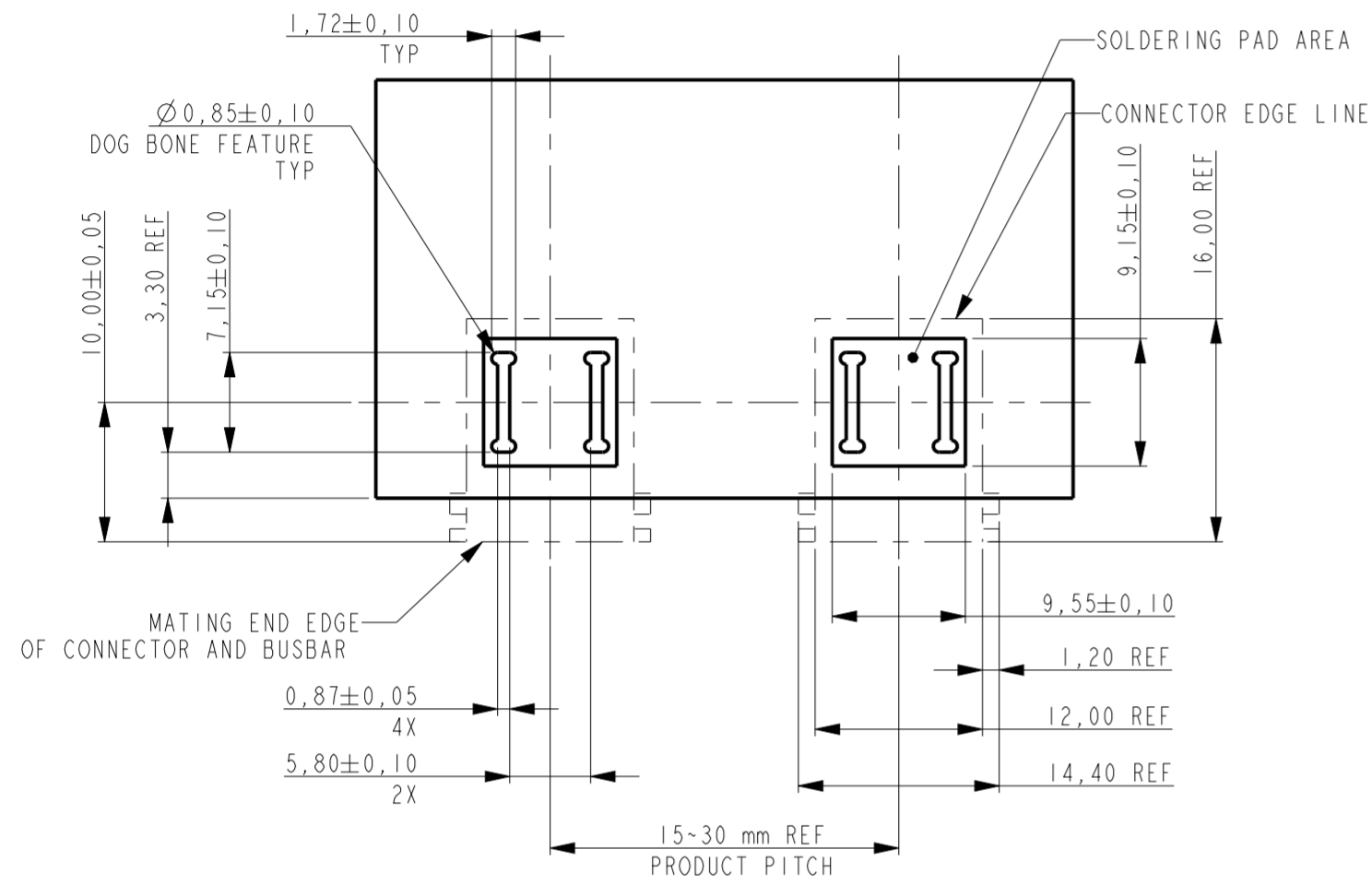
PRODUCT SPEC: 108-19360-1
 APPLICATION SPEC: 114-19128

SIZE: A2 CAGE CODE: 00779 DRAWING NO: C-2178531 RESTRICTED TO: -
 WEIGHT: -
 Customer Drawing SCALE: 2:1 SHEET 1 OF 2 REV: A6

THIS DRAWING IS UNPUBLISHED. RELEASED FOR PUBLICATION
 © COPYRIGHT - BY - TE CONNECTIVITY ALL RIGHTS RESERVED.

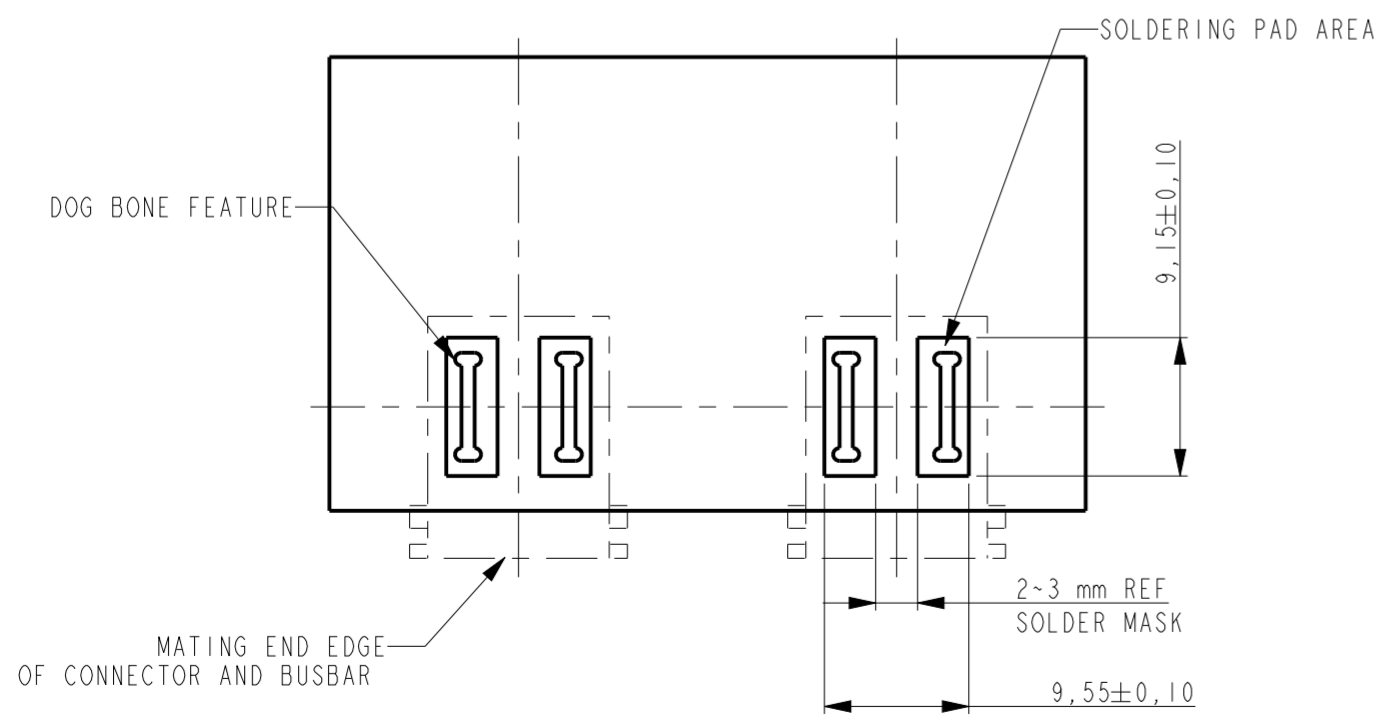
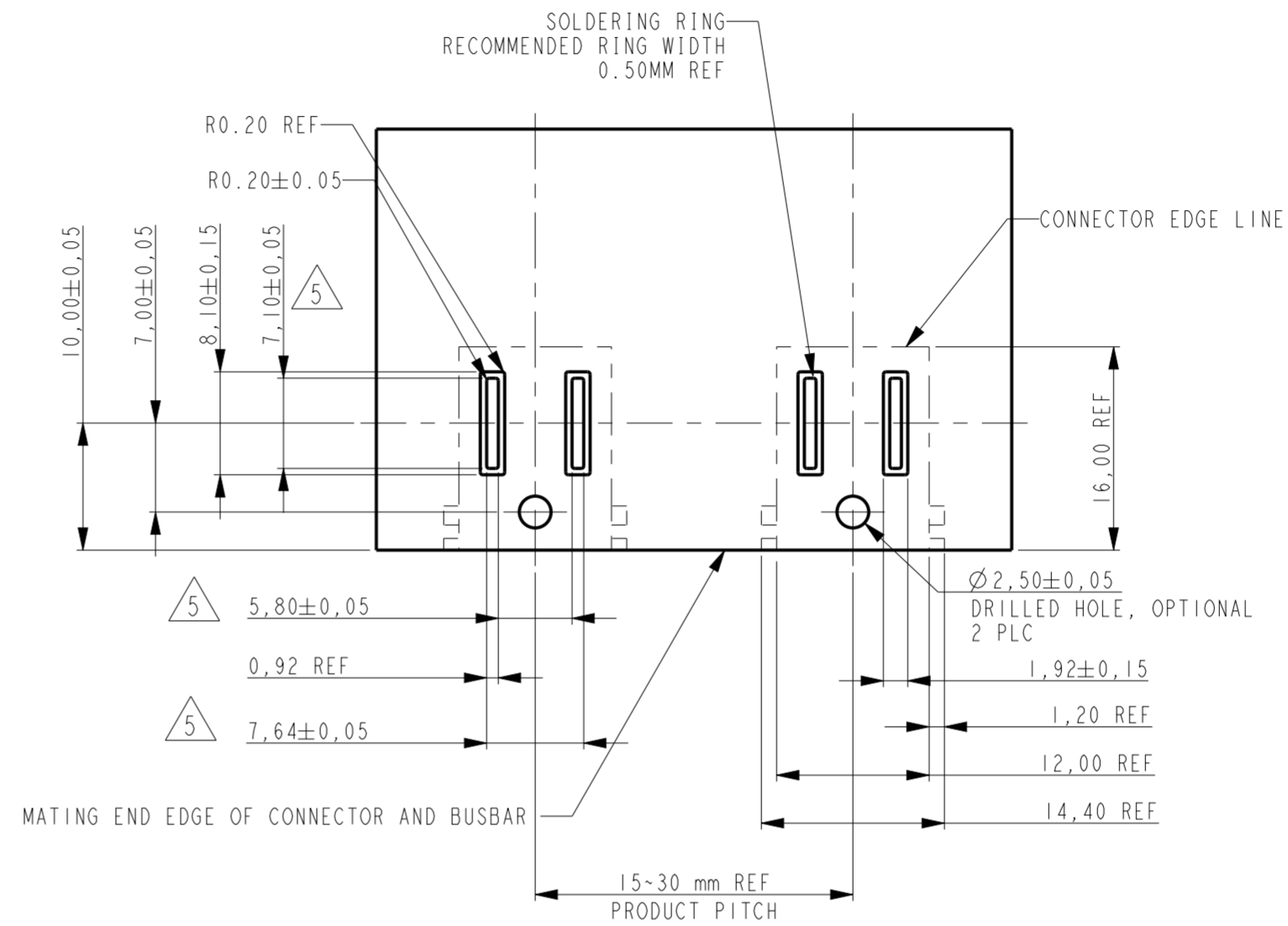
LOC	DIST	REVISIONS			
P	LTR	DESCRIPTION	DATE	DWN	APVD
ES	00	SEE SHEET 1	-	-	-

RECOMMENDED PCB LAYOUT FOR WAVE SOLDERING
 PCB THICKNESS: 4.8mm MAX.



VIEW 1

RECOMMENDED PCB LAYOUT FOR REFLOW SOLDERING
 PCB THICKNESS: 1.9-6.0 mm



VIEW 2.
 SIMILAR TO VIEW 1, DIFFERENT SOLDER PAD WIDTH.

THIS DRAWING IS A CONTROLLED DOCUMENT.		DWN SUDHAKAR 24JAN13	TE Connectivity	
DIMENSIONS: mm		CHK SUDHAKAR 24JAN13		
TOLERANCES UNLESS OTHERWISE SPECIFIED:		APVD RAJENDRA 24JAN13	NAME PLUGGABLE BUSBAR CONNECTOR SOLDER VERSION CROWN CLIP JUNIOR	
0 PLC ±		PRODUCT SPEC 108-19360-1	SIZE CAGE CODE DRAWING NO RESTRICTED TO	
1 PLC ±0.3		APPLICATION SPEC 114-19128	A2 00779 C-2178531	
2 PLC ±0.20		WEIGHT -	SCALE 2:1 SHEET 2 OF 2 REV A6	
3 PLC ±0.050		Customer Drawing		
4 PLC ±				
ANGLES ±2°				
FINISH				

X-ON Electronics

Largest Supplier of Electrical and Electronic Components

Click to view similar products for [Heavy Duty Power Connectors](#) category:

Click to view products by [TE Connectivity](#) manufacturer:

Other Similar products are found below :

[647757-1](#) [6643411-1](#) [6646058-2](#) [6646137-1](#) [6646138-1](#) [6646608-1](#) [6646786-1](#) [6646940-1](#) [6651091-1](#) [6651525-1](#) [6651529-1](#) [6651788-1](#)
[696475-1](#) [702-32-01109](#) [703-25-02205](#) [73000005059](#) [73000005642](#) [73080254296](#) [73080255059](#) [73080965046](#) [765-15-0080A](#)
[765-16-0080B](#) [765-18-0080D](#) [902-77-02113](#) [PS00/A0620/6300](#) [129-1J](#) [1409400](#) [E6374G1](#) [e6389g2](#) [157-43GW8](#) [MS3117-14AC](#) [1643543-1](#)
[1650540-1](#) [1651811-2](#) [1766260-1](#) [1766282-1](#) [1766966-1](#) [1791340000](#) [NLDFT-3-BL-L-S120-M40A](#) [NLDFT-N-W-L-C240-M40B](#) [1926015-](#)
[1](#) [NLS-N-W-C240-M40B](#) [2-1589900-8](#) [2199314-1](#) [KA8102](#) [9300480317](#) [29131](#) [294-0091-01100](#) [296-0040-01100](#) [1646905-1](#)