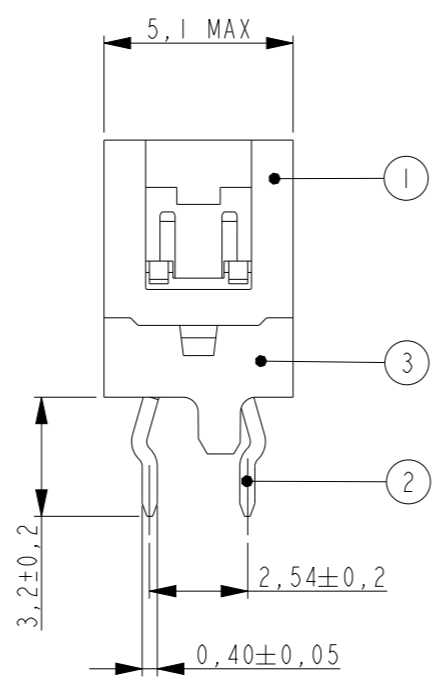
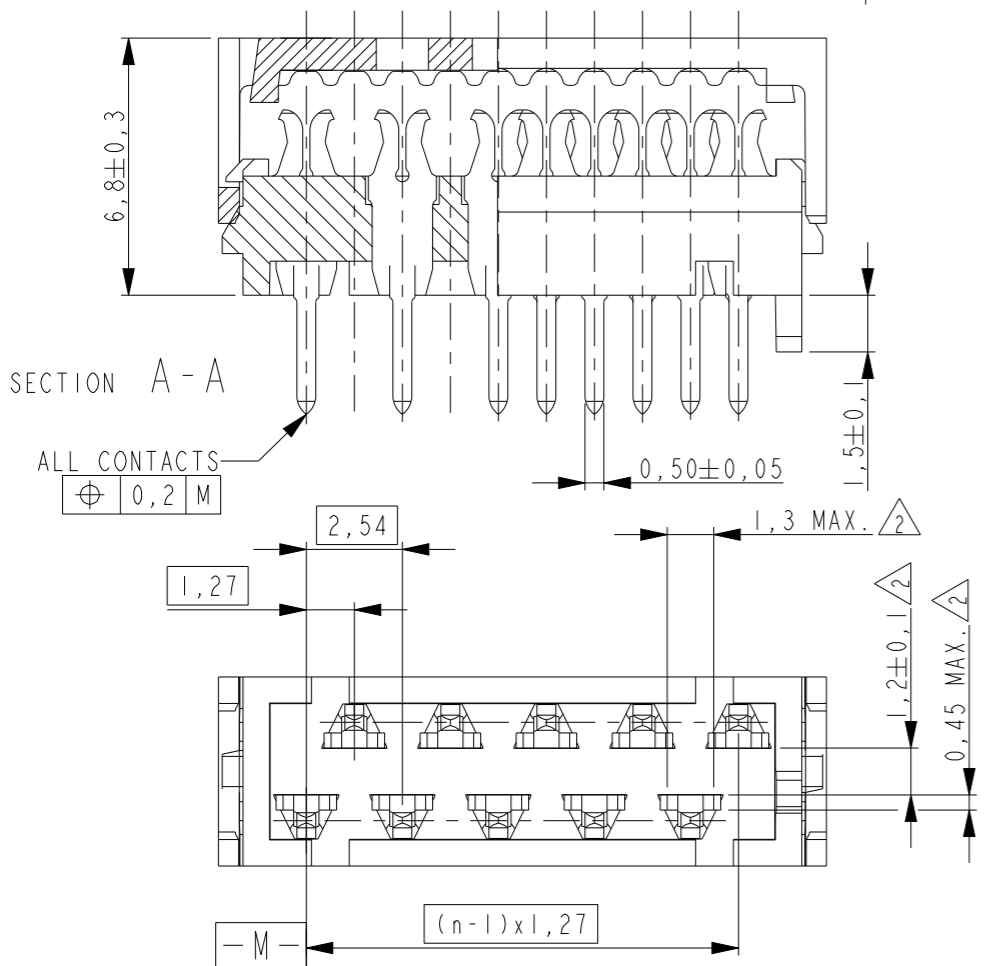
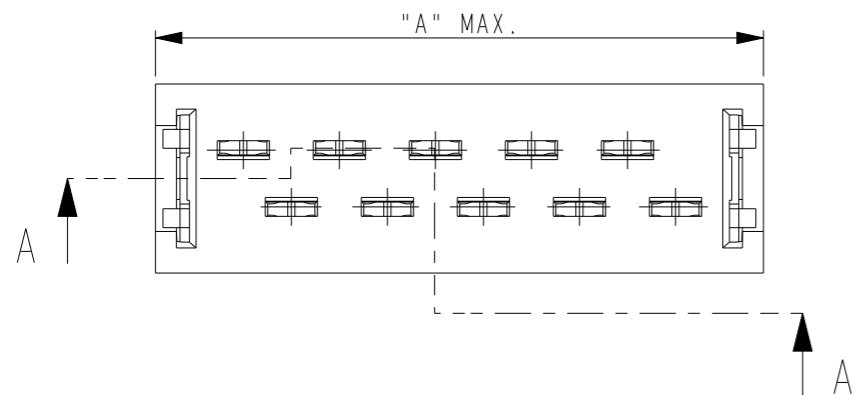
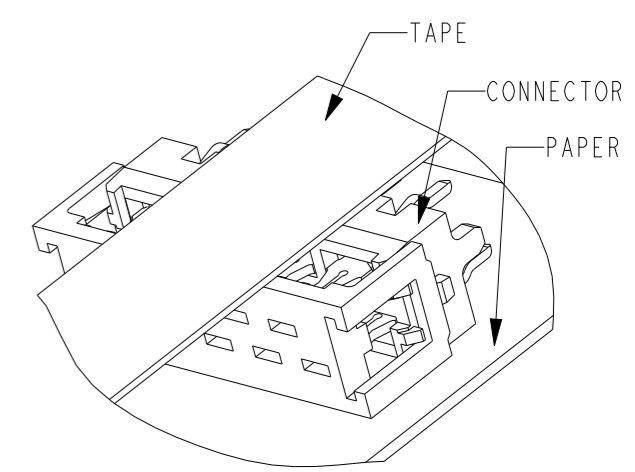


P	LTR	DESCRIPTION	DATE	DWN	APVD
A		INITIAL RELEASE	18AUG2014	PS	JK
AI		PN STATUS UPDATED	17MAY2021	SB	KJK

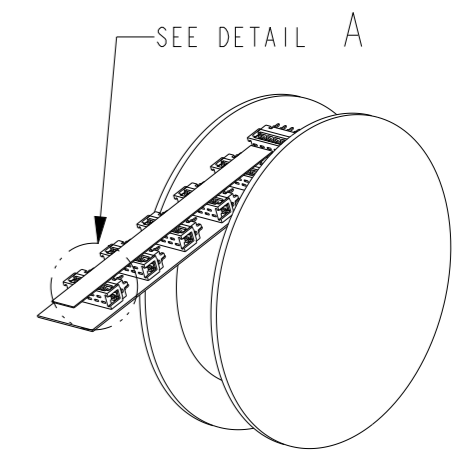


PART NUMBER REEL PACKAGING	NO. OF POS "n"	DIMENSION "A" MAX
3-2178713-4	4	8,6
3-2178713-6	6	11,1
3-2178713-8	8	13,6
1-2178713-0	10	16,2
3-2178713-2	12	18,7
3-2178713-4	14	21,3
3-2178713-6	16	23,8
3-2178713-8	18	26,3
3-2178713-0	20	28,9



DETAIL A

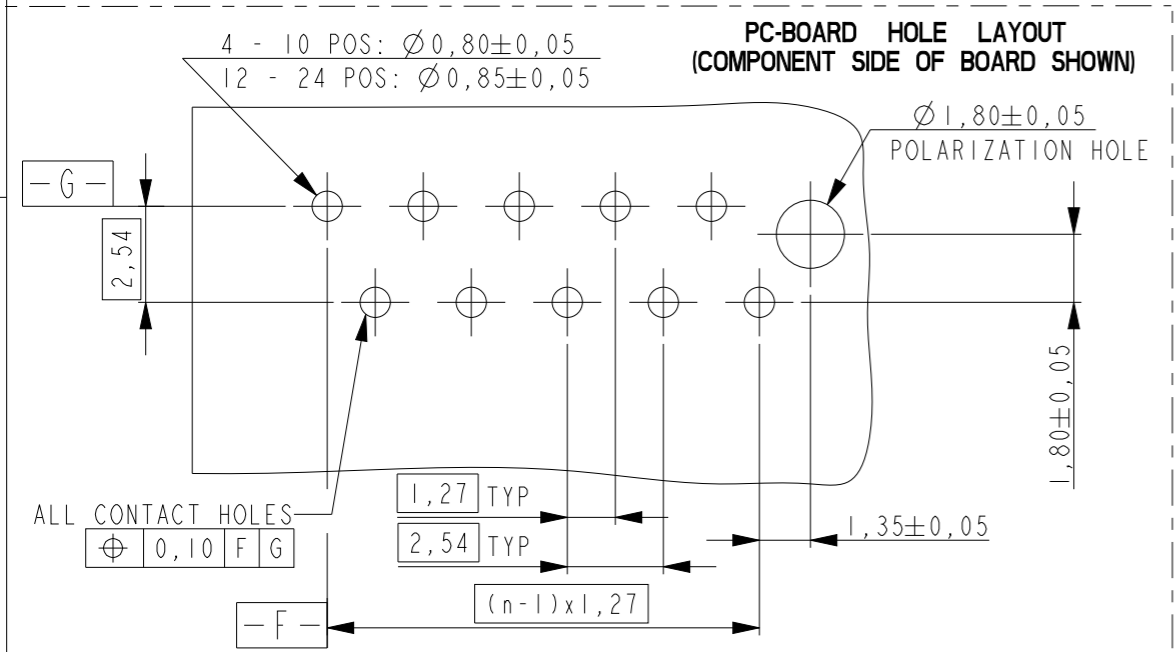
DEREELING DIRECTION AND POSITION OF CONNECTORS.



2500 CONNECTORS PER REEL.
REEL PACKAGING

NOTES:

- 1 SHOWN IS A 10 POS. CONNECTOR
- 2 REF. CONTACT SHOULDER BOTTOM, THAT CAN TOUCH THE PC-BOARD SURFACE.
- 3 OBSOLETE



THIS DRAWING IS A CONTROLLED DOCUMENT.

DIMENSIONS: mm	TOLERANCES UNLESS OTHERWISE SPECIFIED:
	0 PLC ±-
	1 PLC ±-
	2 PLC ±-
	3 PLC ±-
	4 PLC ±-
	ANGLES ±-
MATERIAL SEE TABLE	FINISH SEE TABLE

3	PADDLE BOARD HOUSING	PBT, GF	BLACK
2	PADDLE BOARD CONTACT	TIN BRASS	3.0 - 5.0µm TIN OVER 0.5µm NICKEL
1	COVER	PBT, GF	BLACK
ITEM NO.	DESCRIPTION	MATERIAL	FINISH / COLOR
DWN 08AUG2014 PRASHANTH			
CHK 13AUG2014 PRASHANTH S			
APVD 14AUG2014 JAYANTH KUMAR			
PRODUCT SPEC	108-32087		
APPLICATION SPEC	114-19016		
WEIGHT	-		
CUSTOMER DRAWING		SCALE 5:1	SHEET 1 OF 1
		RESTRICTED TO	REV AI



NAME
Micro-MaTch VALUE LINE
PADDLE BOARD CONNECTOR

SIZE	CAGE CODE	DRAWING NO	RESTRICTED TO
A3	00779	C-2178713	

X-ON Electronics

Largest Supplier of Electrical and Electronic Components

Click to view similar products for [Headers & Wire Housings](#) category:

Click to view products by [TE Connectivity](#) manufacturer:

Other Similar products are found below :

[892-18-020-10-001101](#) [58102-G61-06LF](#) [582553-1](#) [0009485154](#) [009176003701906](#) [0050291907](#) [LY20-4P-DT1-P1E-BR](#) [02.125.8002.8](#)
[609-3404](#) [61062-3](#) [61082-181009](#) [622-3653LF](#) [63453-116](#) [636-1030](#) [636-1427](#) [636-3427](#) [636-4007](#) [641938-9](#) [641991-4](#) [644827-2](#) [65817-](#)
[010LF](#) [65817-015LF](#) [65863-015LF](#) [66207-023LF](#) [67095-007LF](#) [67601157](#) [68645-018](#) [68648-049](#) [70.362.1628.0](#) [70-4210](#) [70-4226B](#) [70-](#)
[4853B](#) [707-5020](#) [707-5028](#) [71.350.2428.0](#) [71918-208LF](#) [71961-016LF](#) [733-134](#) [733-162](#) [754199-000](#) [760-3052](#) [787-8014-00](#) [79531-3000](#)
[FCN-360C032-B](#) [FCN-367T-T012/H](#) [FCN-723D010/2](#) [80.063.4001.1](#) [800-90-001-10-001000](#) [800-90-010-10-002000](#) [801-43-002-10-013000](#)