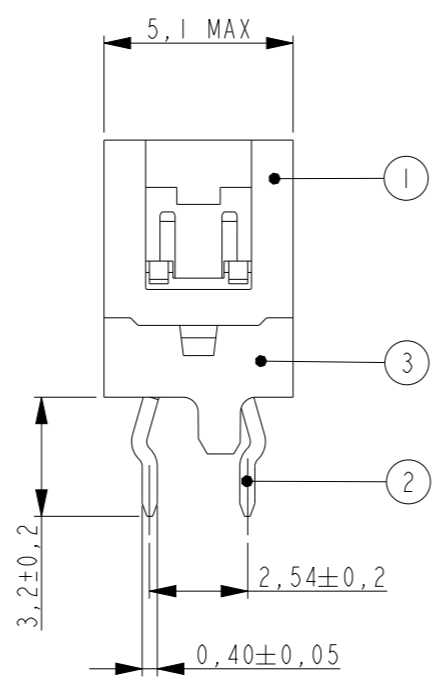
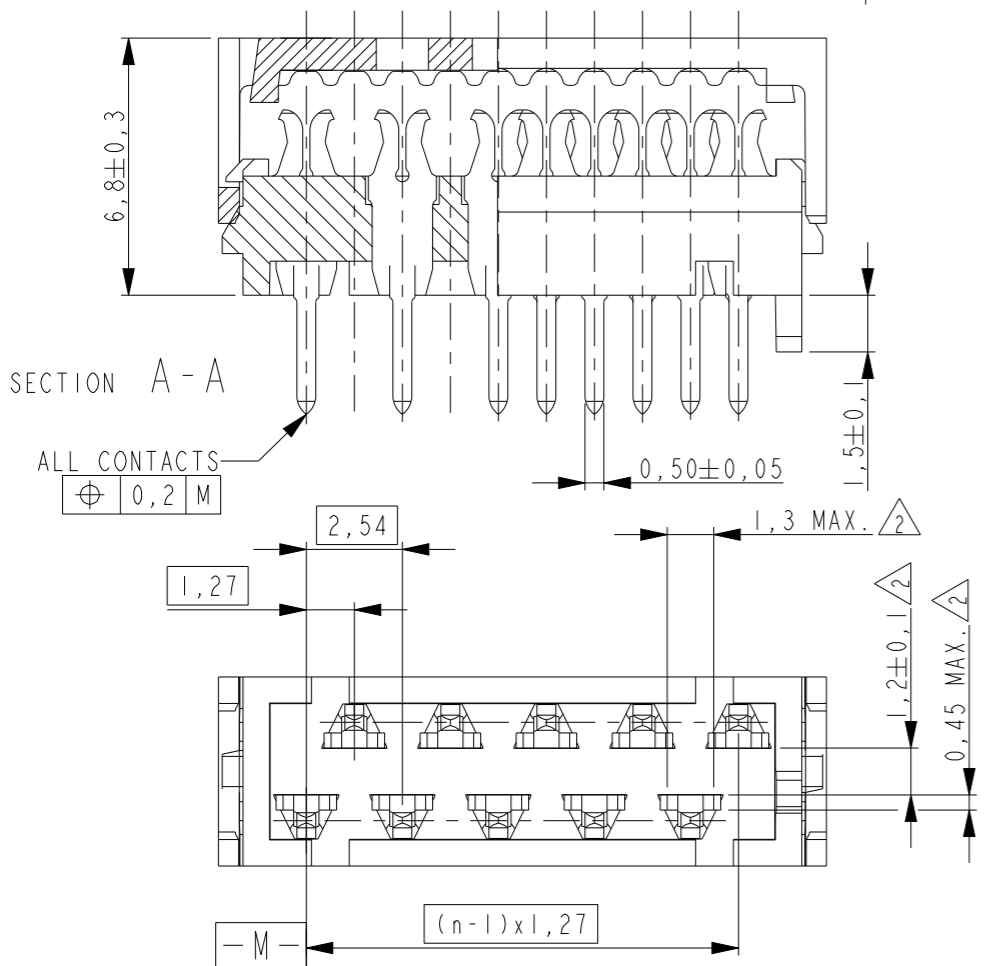
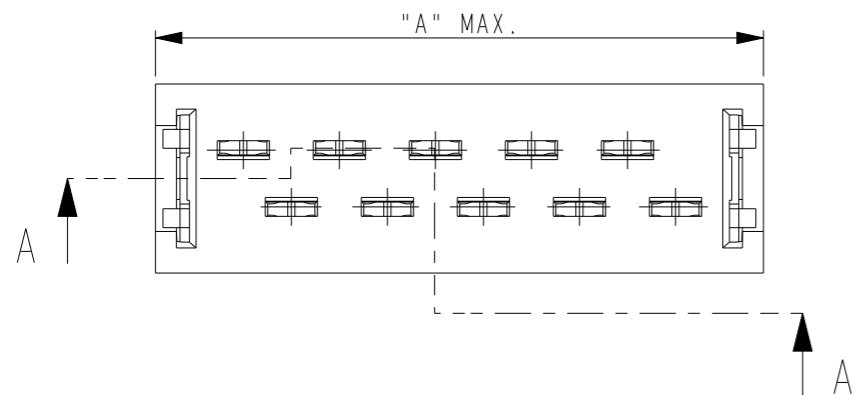
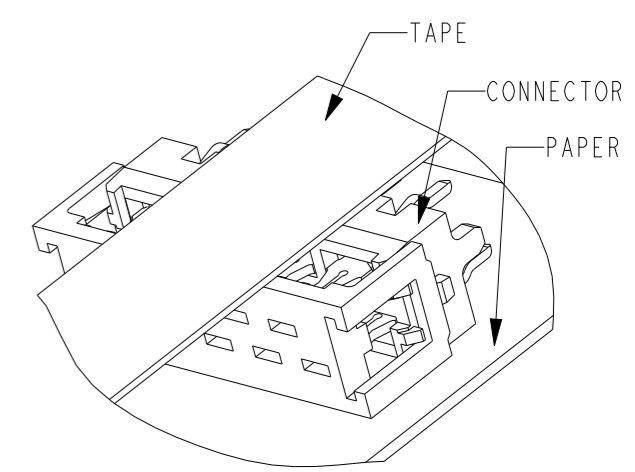


| P | LTR | DESCRIPTION | DATE | DWN | APVD |
|----|-----|-------------------|-----------|-----|------|
| A | | INITIAL RELEASE | 18AUG2014 | PS | JK |
| AI | | PN STATUS UPDATED | 17MAY2021 | SB | KJK |

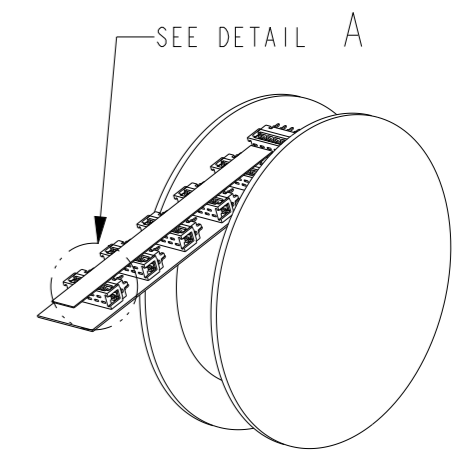


| PART NUMBER REEL PACKAGING | NO. OF POS "n" | DIMENSION "A" MAX |
|----------------------------|----------------|-------------------|
| 3-2178713-4 | 4 | 8,6 |
| 3-2178713-6 | 6 | 11,1 |
| 3-2178713-8 | 8 | 13,6 |
| 1-2178713-0 | 10 | 16,2 |
| 3-2178713-2 | 12 | 18,7 |
| 3-2178713-4 | 14 | 21,3 |
| 3-2178713-6 | 16 | 23,8 |
| 3-2178713-8 | 18 | 26,3 |
| 3-2178713-0 | 20 | 28,9 |



DETAIL A

DEREELING DIRECTION AND POSITION OF CONNECTORS.

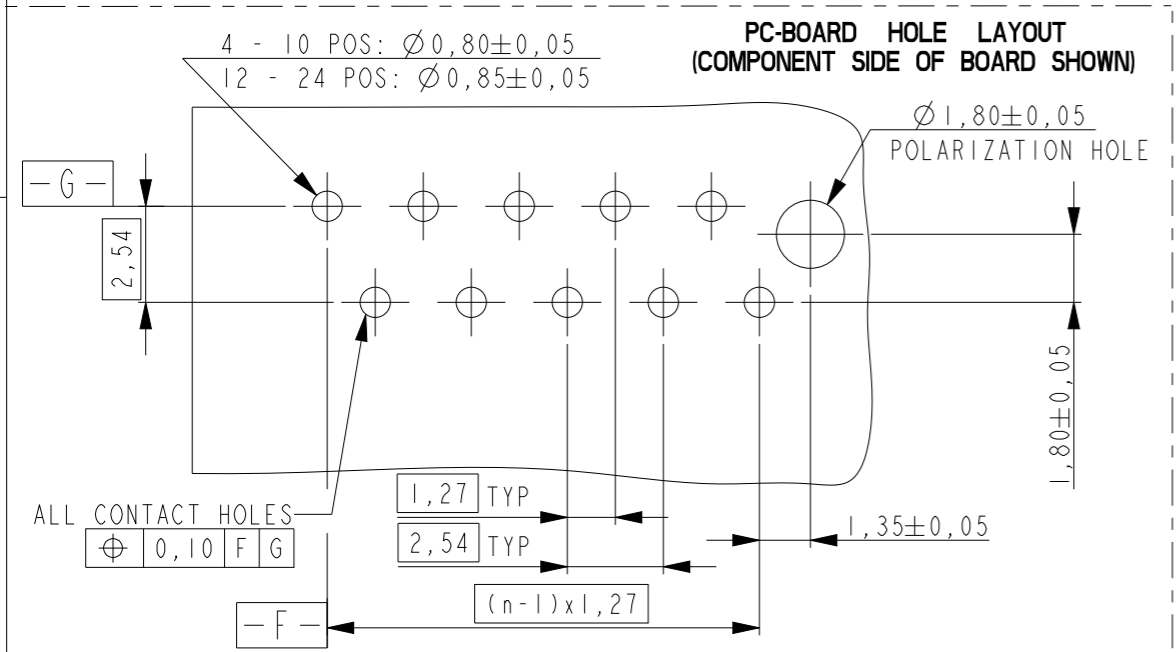


2500 CONNECTORS PER REEL.

REEL PACKAGING

NOTES:

- 1 SHOWN IS A 10 POS. CONNECTOR
- 2 REF. CONTACT SHOULDER BOTTOM, THAT CAN TOUCH THE PC-BOARD SURFACE.
- 3 OBSOLETE



THIS DRAWING IS A CONTROLLED DOCUMENT.

| | |
|-----------------------|---|
| DIMENSIONS: mm | TOLERANCES UNLESS OTHERWISE SPECIFIED: 0 PLC ± 1 PLC ± 2 PLC ± 3 PLC ± 4 PLC ± ANGLES ± FINISH |
| MATERIAL SEE TABLE | SEE TABLE |

| | | | |
|---------------------------------|----------------------|---------------|-----------------------------------|
| 3 | PADDLE BOARD HOUSING | PBT, GF | BLACK |
| 2 | PADDLE BOARD CONTACT | TIN BRASS | 3.0 - 5.0µm TIN OVER 0.5µm NICKEL |
| 1 | COVER | PBT, GF | BLACK |
| ITEM NO. | DESCRIPTION | MATERIAL | FINISH / COLOR |
| DWN 08AUG2014 PRASHANTH | | | |
| CHK 13AUG2014 PRASHANTH S | | | |
| APVD 14AUG2014 JAYANTH KUMAR | | | |
| PRODUCT SPEC | 108-32087 | | |
| APPLICATION SPEC | 114-19016 | | |
| WEIGHT | - | | |
| CUSTOMER DRAWING | | SCALE 5:1 | SHEET 1 OF 1 |
| | | RESTRICTED TO | REV AI |



NAME
Micro-MaTch VALUE LINE
PADDLE BOARD CONNECTOR

| | | | |
|---------|-----------------|-----------------------|---------------|
| SIZE A3 | CAGE CODE 00779 | DRAWING NO. C-2178713 | RESTRICTED TO |
|---------|-----------------|-----------------------|---------------|

X-ON Electronics

Largest Supplier of Electrical and Electronic Components

Click to view similar products for [Headers & Wire Housings](#) category:

Click to view products by [TE Connectivity](#) manufacturer:

Other Similar products are found below :

[892-18-020-10-001101](#) [58102-G61-06LF](#) [582553-1](#) [0009485154](#) [009176003701906](#) [0050291907](#) [LY20-4P-DT1-P1E-BR](#) [02.125.8002.8](#)
[609-3404](#) [61062-3](#) [61082-181009](#) [622-3653LF](#) [63453-116](#) [636-1030](#) [636-1427](#) [636-3427](#) [636-4007](#) [641938-9](#) [641991-4](#) [644827-2](#) [65817-010LF](#) [65817-015LF](#) [65863-015LF](#) [66207-023LF](#) [67095-007LF](#) [67601157](#) [68645-018](#) [68648-049](#) [70.362.1628.0](#) [70-4210](#) [70-4226B](#) [70-4853B](#) [707-5020](#) [707-5028](#) [71.350.2428.0](#) [71918-208LF](#) [71961-016LF](#) [733-134](#) [733-162](#) [754199-000](#) [760-3052](#) [787-8014-00](#) [79531-3000](#)
[FCN-360C032-B](#) [FCN-367T-T012/H](#) [FCN-723D010/2](#) [80.063.4001.1](#) [800-90-001-10-001000](#) [800-90-010-10-002000](#) [801-43-002-10-013000](#)