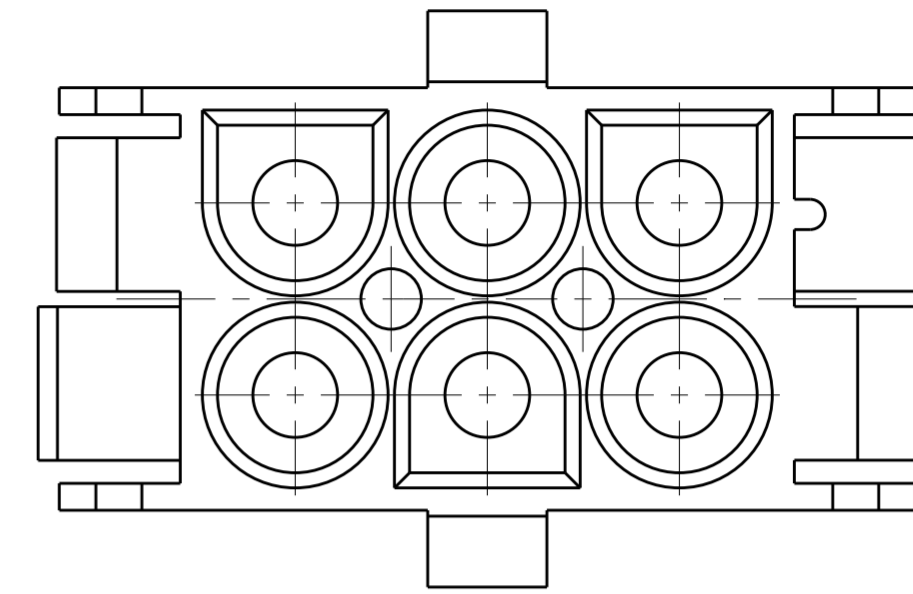
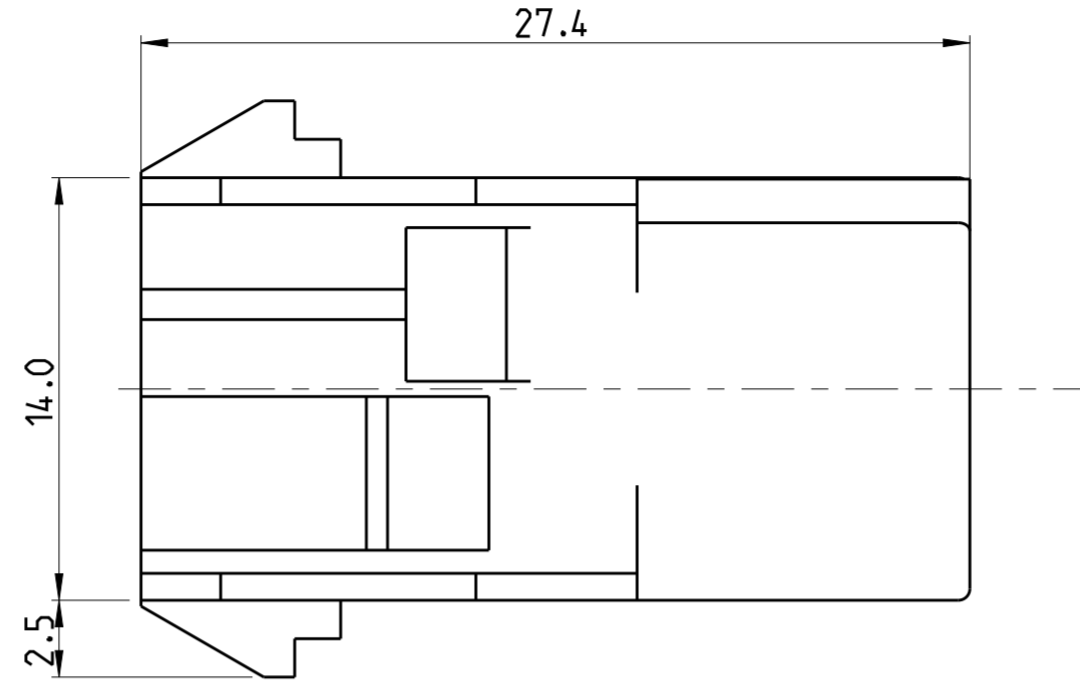
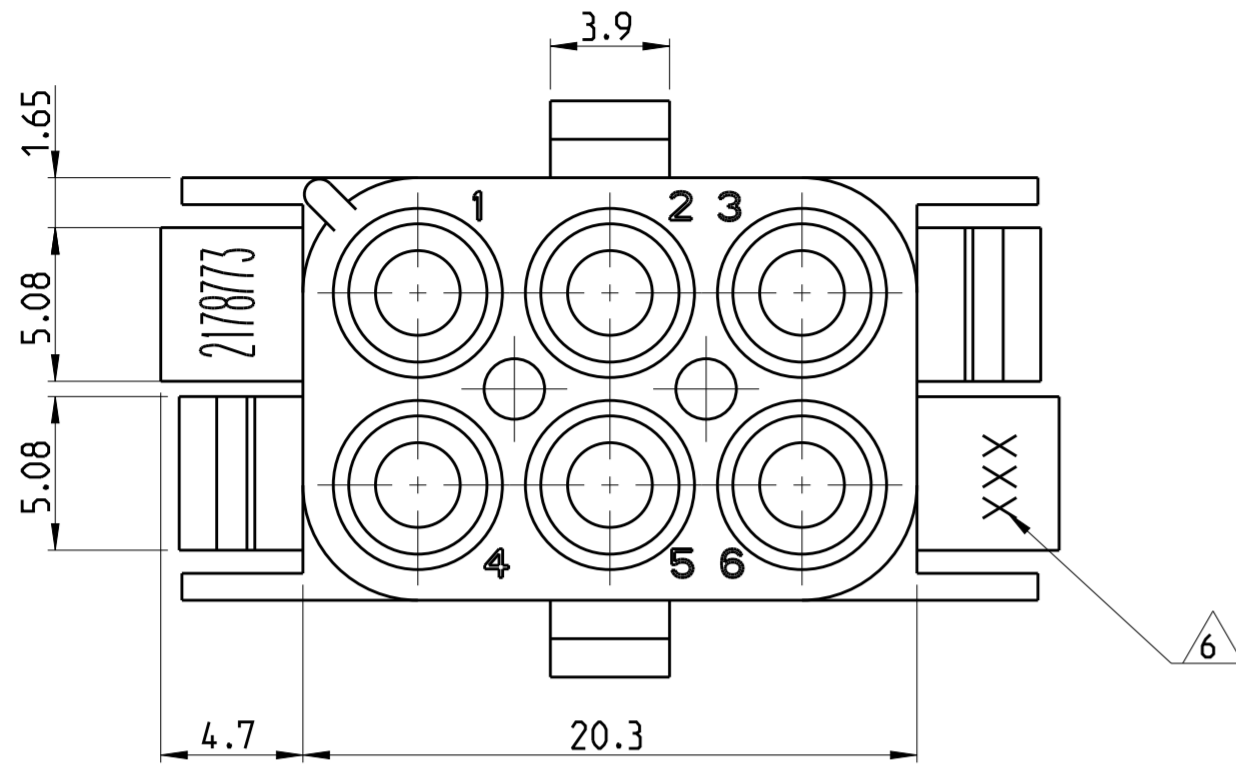


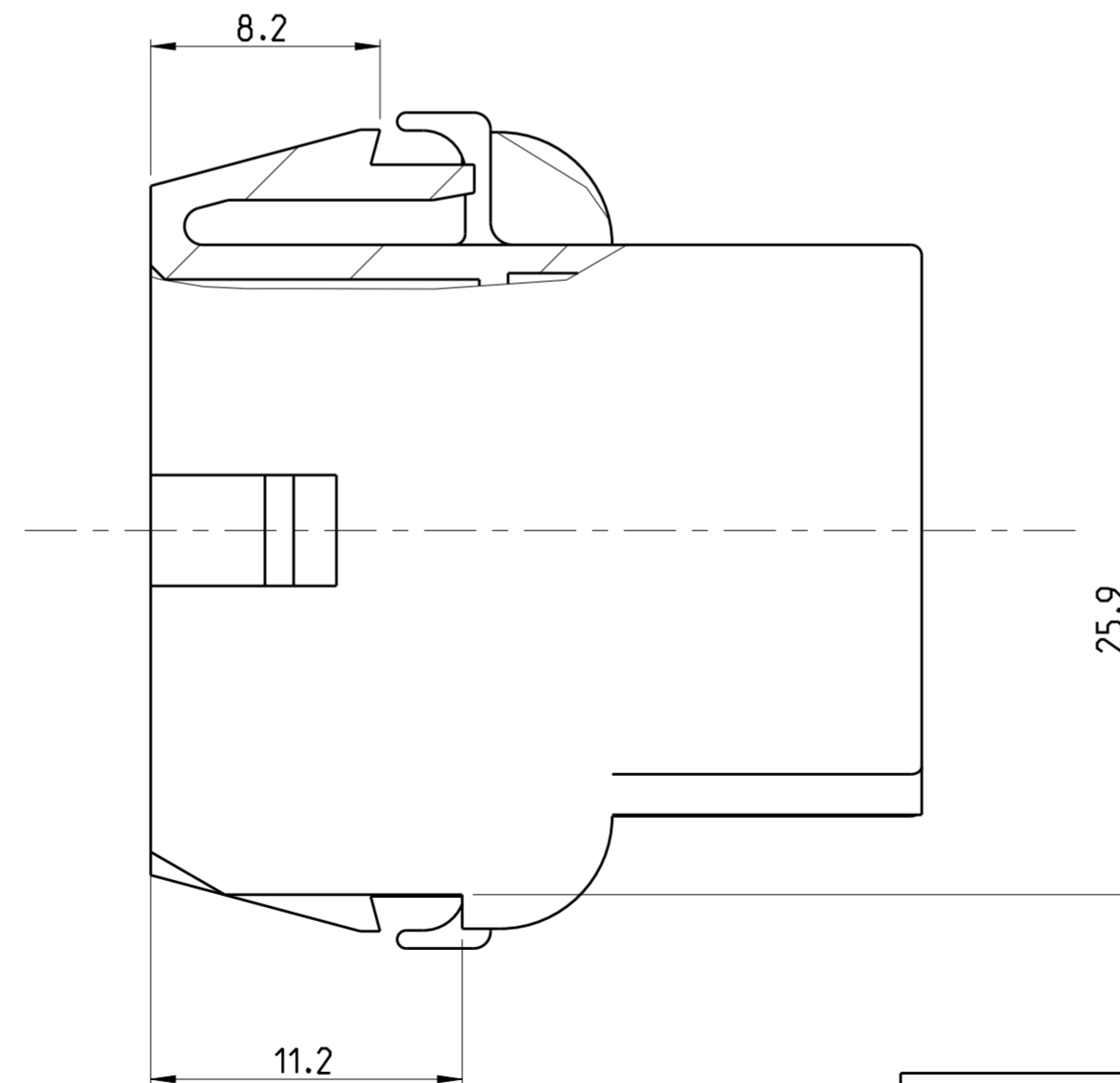
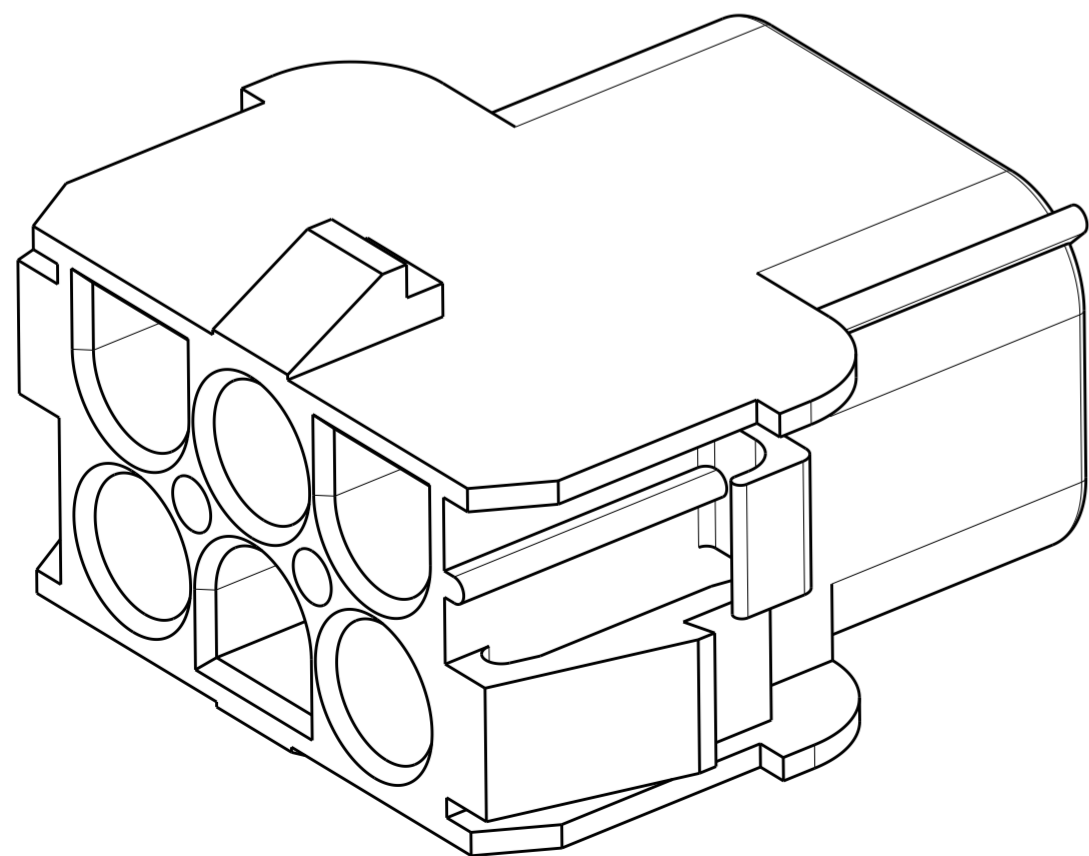
THIS DRAWING IS UNPUBLISHED. RELEASED FOR PUBLICATION 2013
 © COPYRIGHT 2013 Tyco Electronics AMP GmbH ALL RIGHTS RESERVED.

REVISIONS				
P	LTR	DESCRIPTION	DATE	APVD
B2		REVISED PER ECR-17-015922	07NOV2017	BDA KR

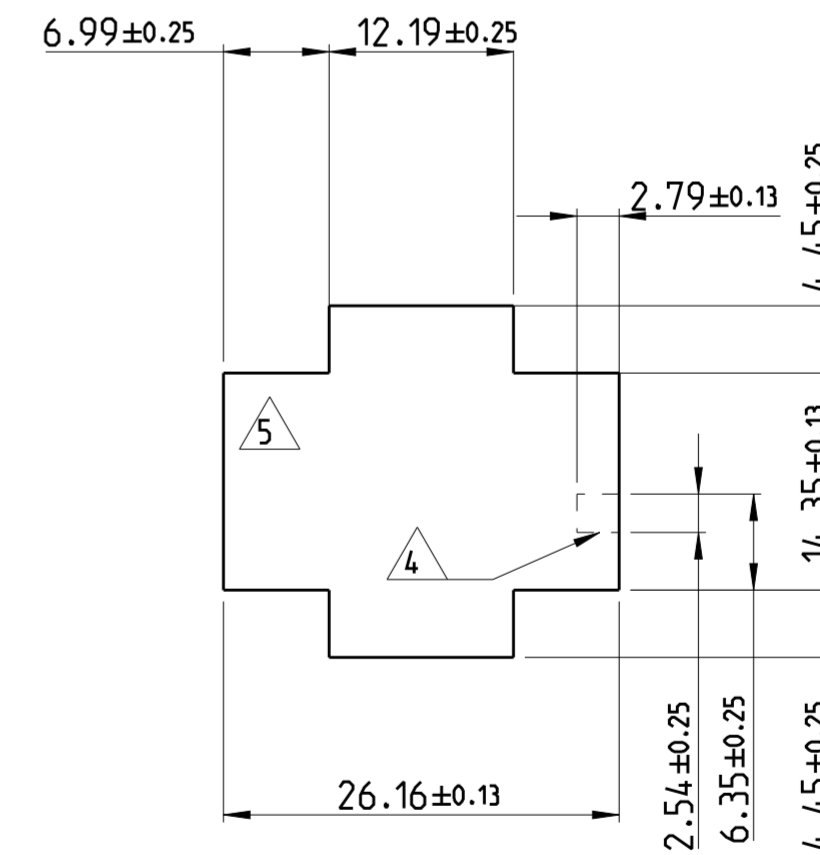


NOTE

- 1. BEEN SUITABLE FOR UMNL PIN AND SOCKET CONTACTS.
- 2. RECOMMEND SHEET METAL THICKNESS 0.75-2.3 mm.
- 3. HOUSING MUST BE INTRODUCED TO PUNCHING DIRECTION.
- 4 FOR CODED USING OF THE HOUSING.
- 5 POSITION OF CAVITY 1 FOR CODED USING .
- 6 BRANDNAME AND MANUFACTURING LOCATION CODE ACCORDING TE-SPEC 115-18016.
- 7 MATERIAL CORRESPONDING TO THE REQUIRMENT OF IEC 60335-1. (INCL.GLOW WIRE TEST 750°C WITH OUT FLAME)
- 8 DIMENSIONS SHOWN REPRESENT PRODUCT IN DRY, AS MOLDED, CONDITION. ADDITIONAL 2% GROWTH DUE TO SUBSEQUENT MOISTURE ABSORPTION MAY OCCUR AND SHOULD BE ACCOUNTED FOR.



PANEL CUT OUT FOR PUNCH CUT



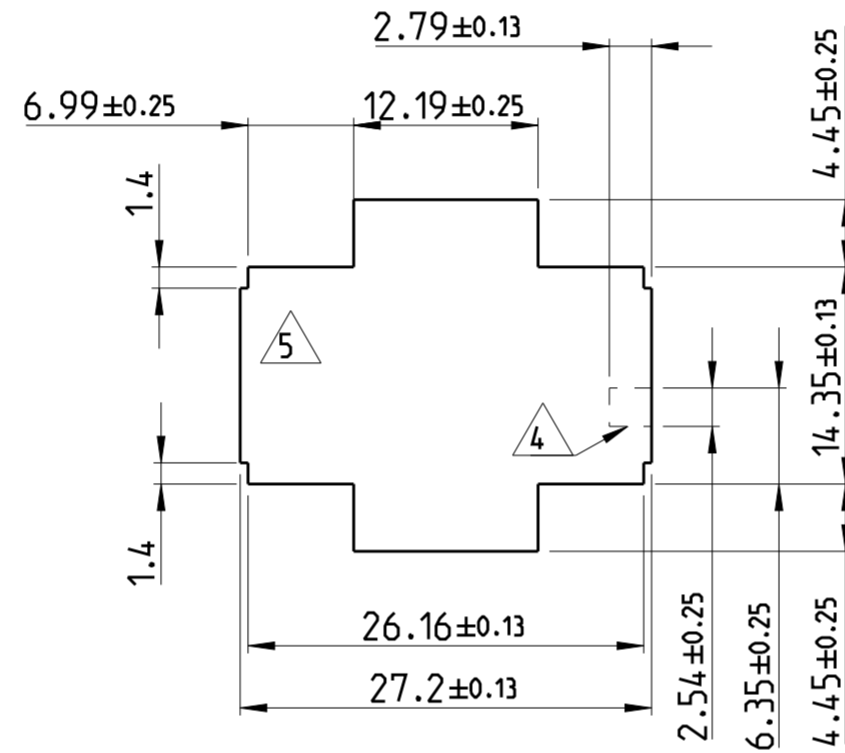
7	NATURAL	PA66, 94V0 GWT 750 NO FLAME	2178773-1
REMARK	COLOR	MATERIAL	PART NO

THIS DRAWING IS A CONTROLLED DOCUMENT.		DWN 29 OCT 2013 KARTHICK BALAJI	TE Connectivity	
DIMENSIONS: mm		CHK 29 OCT 2013 KARTHICK BALAJI		
TOLERANCES UNLESS OTHERWISE SPECIFIED:		APVD 29 OCT 2013 RAJENDRA PAI	NAME UNIVRESAL MATE-N-LOK 6 WAY CAP HOUSING	
0 PLC ±		PRODUCT SPEC 108-1031	SIZE CAGE CODE DRAWING NO RESTRICTED TO	
1 PLC ±0.2		APPLICATION SPEC 114-18011	A2 00779 C-2178773	
2 PLC ±0.75		WEIGHT	SCALE 4:1 SHEET 1 OF 2 REV B2	
3 PLC ±		Customer Drawing		
4 PLC ±				
ANGLES ±				
FINISH				

THIS DRAWING IS UNPUBLISHED. RELEASED FOR PUBLICATION 2013
 © COPYRIGHT 2013 Tyco Electronics AMP GmbH ALL RIGHTS RESERVED.

REVISIONS				
P	LTR	DESCRIPTION	DATE	APVD

PANEL CUT OUT ONLY FOR LASER CUT



	NATURAL	PA66. 94V0 GWT 750 NO FLAME	2178773-1
REMARK	COLOR	MATERIAL	PART NO

THIS DRAWING IS A CONTROLLED DOCUMENT.		DWN 29 OCT 2013 KARTHICK BALAJI	TE Connectivity		
		CHK 29 OCT 2013 KARTHICK BALAJI			
DIMENSIONS: mm		APVD 29 OCT 2013 RAJENDRA PAI	NAME UNIVRESAL MATE-N-LOK 6 WAY CAP HOUSING		
TOLERANCES UNLESS OTHERWISE SPECIFIED: 0 PLC ± 1 PLC ±0.2 2 PLC ±0.15 3 PLC ± 4 PLC ± ANGLES ± FINISH		PRODUCT SPEC 108-1031 APPLICATION SPEC 114-18011 WEIGHT -	SIZE A2	CAGE CODE 00779	DRAWING NO C-2178773
MATERIAL -		Customer Drawing	RESTRICTED TO -	SCALE 4:1	SHEET 2 OF 2
1471-9 (3/13)				REV B2	

X-ON Electronics

Largest Supplier of Electrical and Electronic Components

Click to view similar products for [Pin & Socket Connectors](#) category:

Click to view products by [TE Connectivity](#) manufacturer:

Other Similar products are found below :

[6450822-1](#) [770392-1](#) [794042-1](#) [796885-1](#) [8-794535-1](#) [PLR3455ACS-222](#) [R929991004](#) [R929993003](#) [1403611-1](#) [1-480349-5](#) [152302-5](#)
[153211-2](#) [1586092-1](#) [1586129-1](#) [1586681-4](#) [1586700-1](#) [1586368-1](#) [1586380-1](#) [1586616-1](#) [1586680-5](#) [16-06-0038](#) [164164-5](#) [1-6609930-1](#)
[172296-1](#) [19-09-2035](#) [200503-1](#) [200788-2](#) [2029090-4](#) [2029095-4](#) [925061-7](#) [293734-4](#) [293737-2](#) [1-765362-4](#) [1871534-1](#) [200833-4](#)
[2008625-2](#) [2029027-2](#) [2029096-4](#) [R929991000](#) [R929991002](#) [R929993000](#) [319-10-101-00-005000](#) [319-10-102-00-001000](#) [319-10-104-00-001000](#) [319-10-105-00-001000](#) [319-10-108-00-001000](#) [319-10-112-00-006000](#) [39-01-8019](#) [319-10-101-00-001000](#) [319-10-102-00-005000](#)