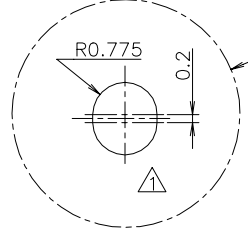
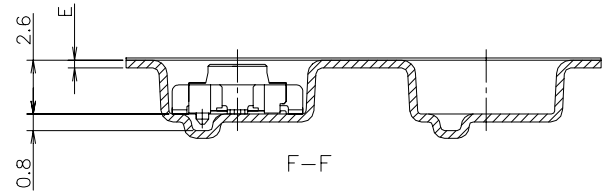
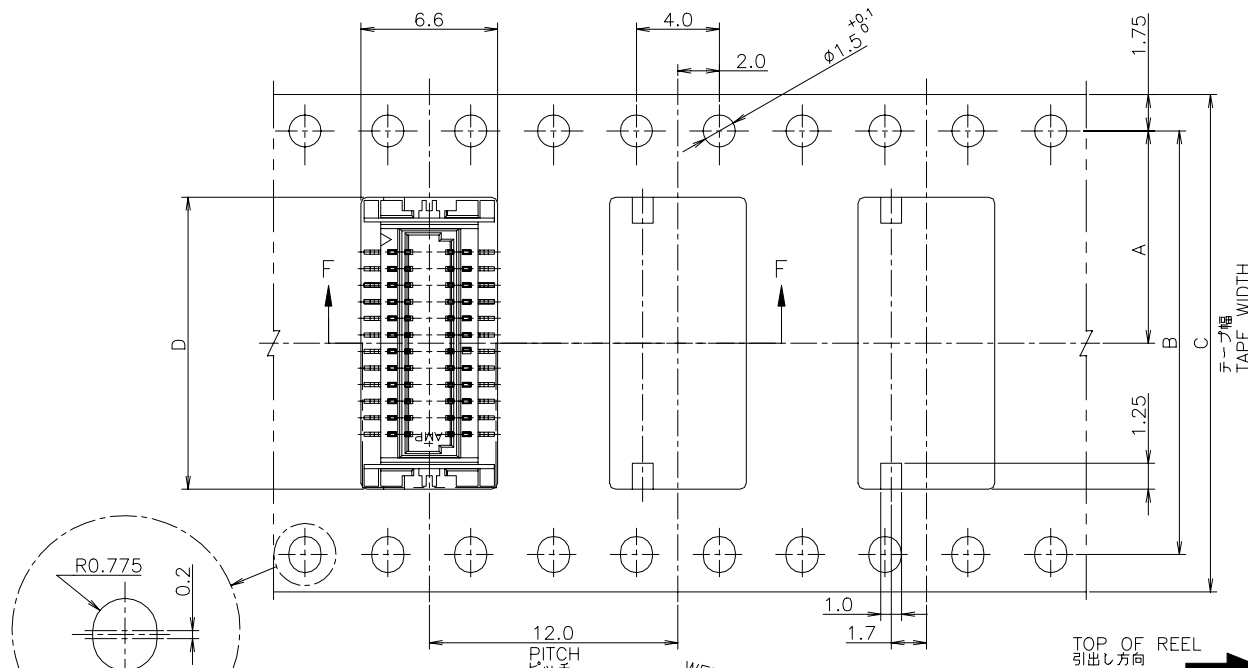


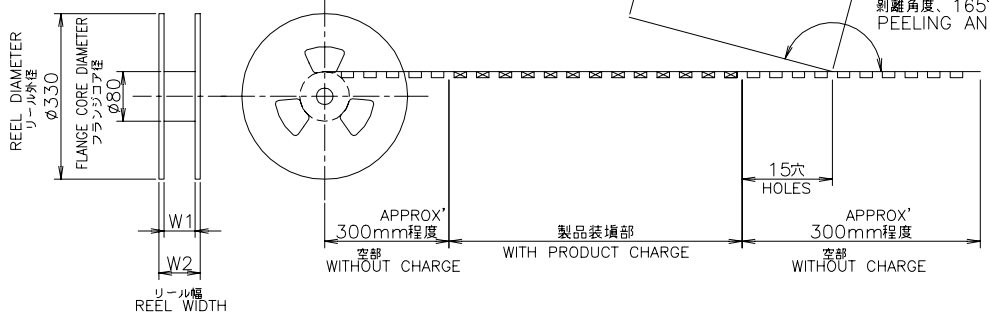
REVISIONS				
P	LTR	DESCRIPTION	DATE	APVD
	M2	ECO-20-009896:EOL 2-179397-4	21DEC2020	A.L H.L

AS SHOWN 24 POS.

指示穴は40極品以上に適用。
 THESE HOLES ARE APPLIED TO 40 POS OR MORE.



WEEDING THE COVER TAPE AROUND THE OUTER PERIPHERY IN A TURN.
 カバーテープリーダー部外周一巻
 剥離角度、165°~180° PEELING ANGLE.



	黒 BLACK	29.5	25.5	0.38	16.5	24	11.5	1500	30	3-179397-5
	OBSOLETE BEIGE	49.5	45.5	0.38	24.5	44	20.2	1500	50	5-179397-0
	OBSOLETE	37.5	33.5		20.5	32	14.2		40	4-0
					16.5				30	3-
M2	OBSOLETE	29.5	25.5		14.1	24	11.5		24	2-4
	OBSOLETE				10.9				16	1-6
	OBSOLETE	21.5	17.5	0.38	10.1				14	1-4
	ベージュ BEIGE	22.4	16.4	0.4	9.3	16	7.5	1500	12	1-179397-2

INSTRUCTION SHEET 411-5654

COLOR		DIMENSIONS							数量 (ヶ) QTY/REEL	極数 POS	リール巻コネクタ型番 TAPING P/N
色	W2	W1	E	D	C	B	A				

THIS DRAWING IS A CONTROLLED DOCUMENT.

DIMENSIONS: 単位: 耗 mm

TOLERANCES UNLESS OTHERWISE SPECIFIED: 一般公差

0 PLC	± 0.2
1 PLC	± 0.2
2 PLC	± 0.2
3 PLC	± 0.2
4 PLC	± 0.2
ANGLES	± 3°

MATERIAL 材料

FINISH 仕上

DWN K.ASAKAWA 24FEB94
 CHK S.KUBOUCHI 24FEB94
 APVD S.KUBOUCHI 01NOV96
 PRODUCT SPEC 108-5424
 APPLICATION SPEC 取付適用規格

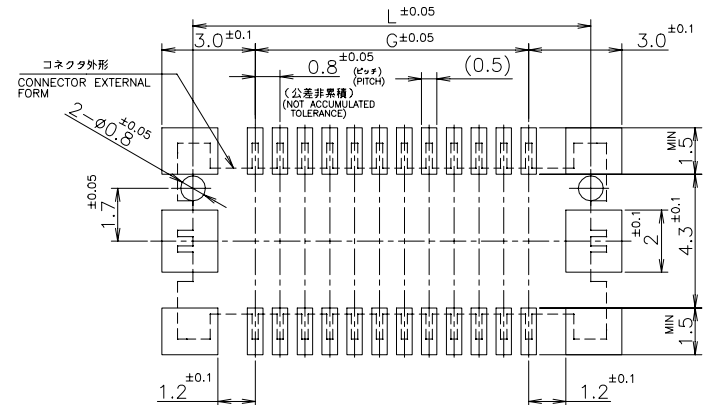
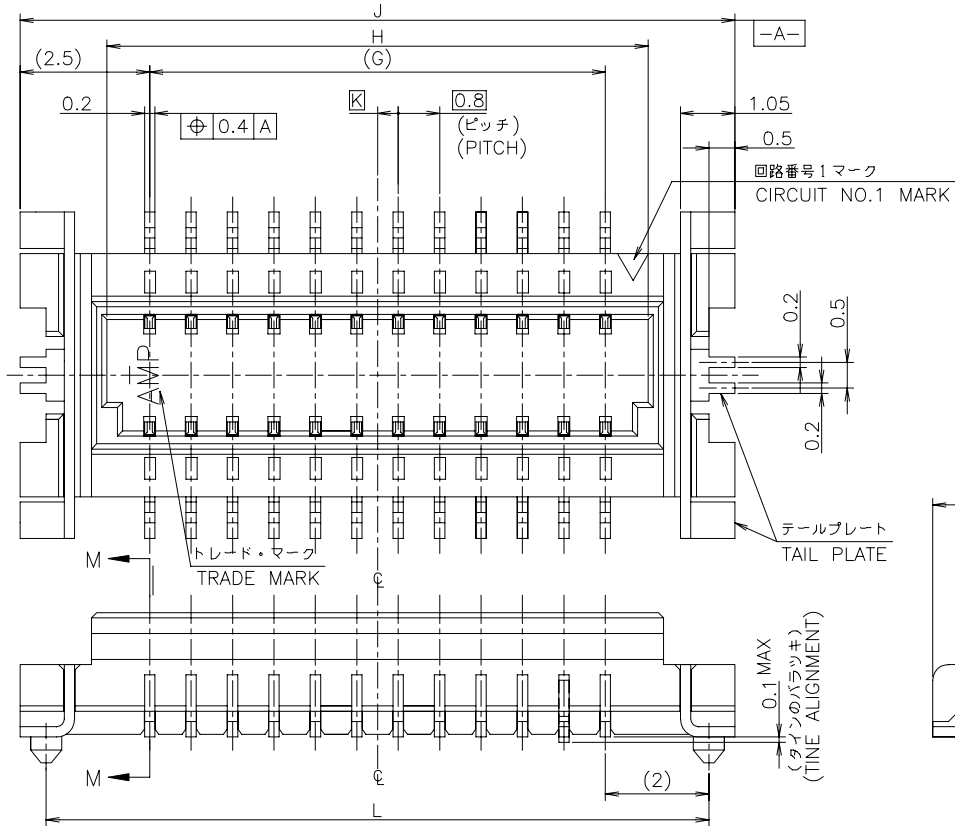
NAME 名称 ON TAPING EMBOSS CAP ASSY WITH BOSS
 0.8mm PITCH B-T-B CONN
 MATING HEIGHT 3.0mm

SIZE A3 CAGE CODE 00779 DRAWING NO. C=179397

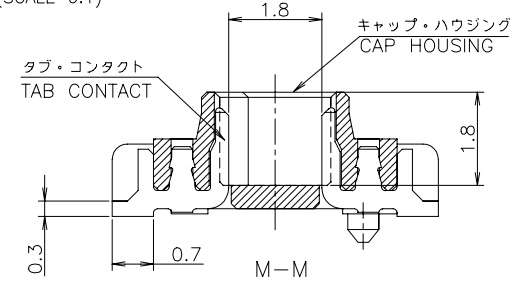
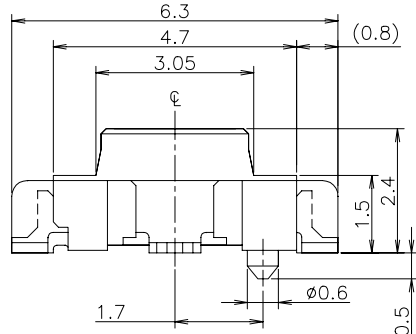
RESTRICTED TO

CUSTOMER DRAWING SCALE 尺度 4:1 SHEET 1 of 2 REV M2

REVISIONS					
変更					
P	LTR	DESCRIPTION	DATE	DWN	APVD
-	-	SEE SHEET 1	-	-	-



参考基板加工寸法 (t=0.6 MIN.)
REFERENCE P.C. BOARD LAYOUT
(SCALE 6:1)



△ 材料: ハウジング - 6T NYLON (高耐熱性ナイロン)
ガラス30%, 色: ベージュ
コンタクト - 燐青銅・錫めっき(0.2t)
テールプレート - 燐青銅・錫めっき(0.2t)

△ MATERIAL: HOUSING - 6T NYLON (HIGH HEAT-RESISTED NYLON), GF30%,
COLOR: BEIGE.
CONTACT - POST-TIN/PHOS-BROZ(0.2t)
TAIL PLATE - POST-TIN/PHOS-BROZ(0.2t)

0.241	15.2	---	16.2	12.8	11.2	30
0.361	23.2	---	24.2	20.8	19.2	50
0.301	19.2	0.4	20.2	16.8	15.2	40
0.241	15.2	---	16.2	12.8	11.2	30
0.205	12.8	0.4	13.8	10.4	8.8	24
0.157	9.6	0.4	10.6	7.2	5.6	16
0.145	8.8	---	9.8	6.4	4.8	14
0.133	8.0	0.4	9.0	5.6	4.0	12
重量(g) WEIGHT	L	K	J	H	G	極数 POS

THIS DRAWING IS A CONTROLLED DOCUMENT.

DIMENSIONS: 単位: 耗 mm	TOLERANCES UNLESS OTHERWISE SPECIFIED: 一般公差	DWN
	0 PLC ± 0.2 1 PLC ± 0.2 2 PLC ± 0.2 3 PLC ± 0.2 4 PLC ± 0.2 ANGLES $\pm 3'$	CHK
MATERIAL 材料	FINISH 仕上	APVD
SEE NOTE △ 注△参照	SEE NOTE △ 注△参照	PRODUCT SPEC 製品規格
		APPLICATION SPEC 取付適用規格
		WEIGHT
		CUSTOMER DRAWING

TE TE Connectivity Ltd.

NAME 名称
ON TAPING EMBOSS CAP ASSY WITH BOSS
0.8mm PITCH BTB CONN
MATING HEIGHT 3.0mm

SIZE	CAGE CODE	DRAWING NO 番号	RESTRICTED TO
A3	00779	G=179397	

SCALE 尺度 10:1 SHEET 2 OF 2 REV M2

X-ON Electronics

Largest Supplier of Electrical and Electronic Components

Click to view similar products for [Board to Board & Mezzanine Connectors](#) category:

Click to view products by [TE Connectivity](#) manufacturer:

Other Similar products are found below :

[10135583-642402LF](#) [89885-310LF](#) [589158040000018](#) [6-1393048-0](#) [68683-613](#) [MDF7-12DP-2.54DSA](#) [MDF7-18P-2.54DSA\(01\)](#) [MDF7-20DP-2.54DSA](#) [MDF7-26D-2.54DSA\(55\)](#) [MDF7-3P-2.54DSA\(01\)](#) [MDF7B-20P-2.54DSA\(01\)](#) [MDF7B-3P-2.54DSA\(55\)](#) [MDF7C-18P-2.54DSA\(55\)](#) [MDF7P-5P-2.54DSA\(55\)](#) [75234-0516](#) [FCN-230C068-11](#) [FCN-268F012-G/BD](#) [FCN-268F036-G/BD](#) [FCN-268M012-G/0D](#) [FCN-268M024-G/1D](#) [FCN-360C008-C](#) [FCN-723J004/1](#) [MIS-048-01-F-D-DP-K](#) [832-10-034-10-001000](#) [93696-325LF](#) [11828-1FA](#) [AXK630345P](#) [18097-0013](#) [2007042-2](#) [304400-2](#) [FCN-214Q030-G/0](#) [FCN-215Q040-G/0](#) [FCN-230C068-ESA](#) [FCN-234P048-G/0](#) [FCN-235D050-G/C](#) [FCN-360A3](#) [FCN-360C040-B](#) [210-93-314-41-105000](#) [2-22603-0](#) [379-064-521-202](#) [MDF7-12P-2.54DSA\(01\)](#) [MDF7-16P-2.54DS\(56\)](#) [MDF7-16P-2.54DSA\(55\)](#) [MDF7-40DP-2.54DSA\(55\)](#) [MDF7-8P-2.54DSA\(55\)](#) [AXG720047](#) [5031084030](#) [55323-1519](#) [DF33-2P-3.3DSA\(24\)](#) [DF33-2S-3.3C](#)