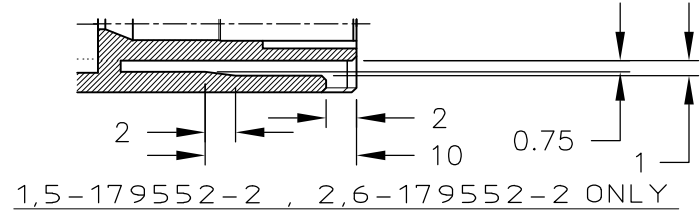
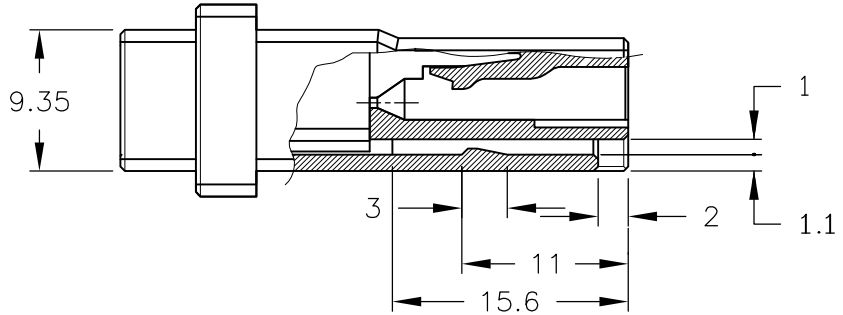
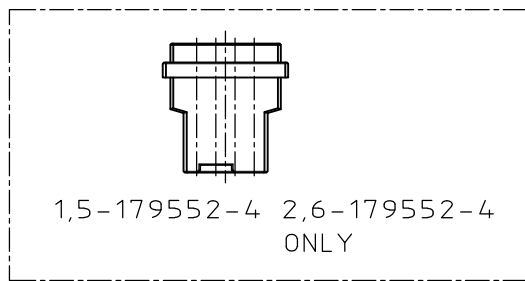
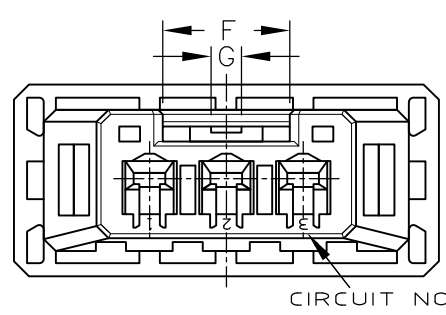
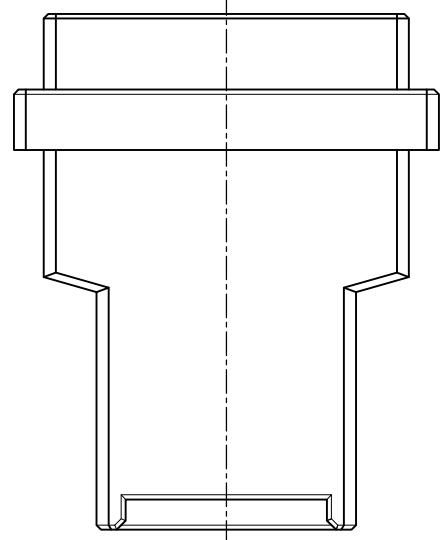
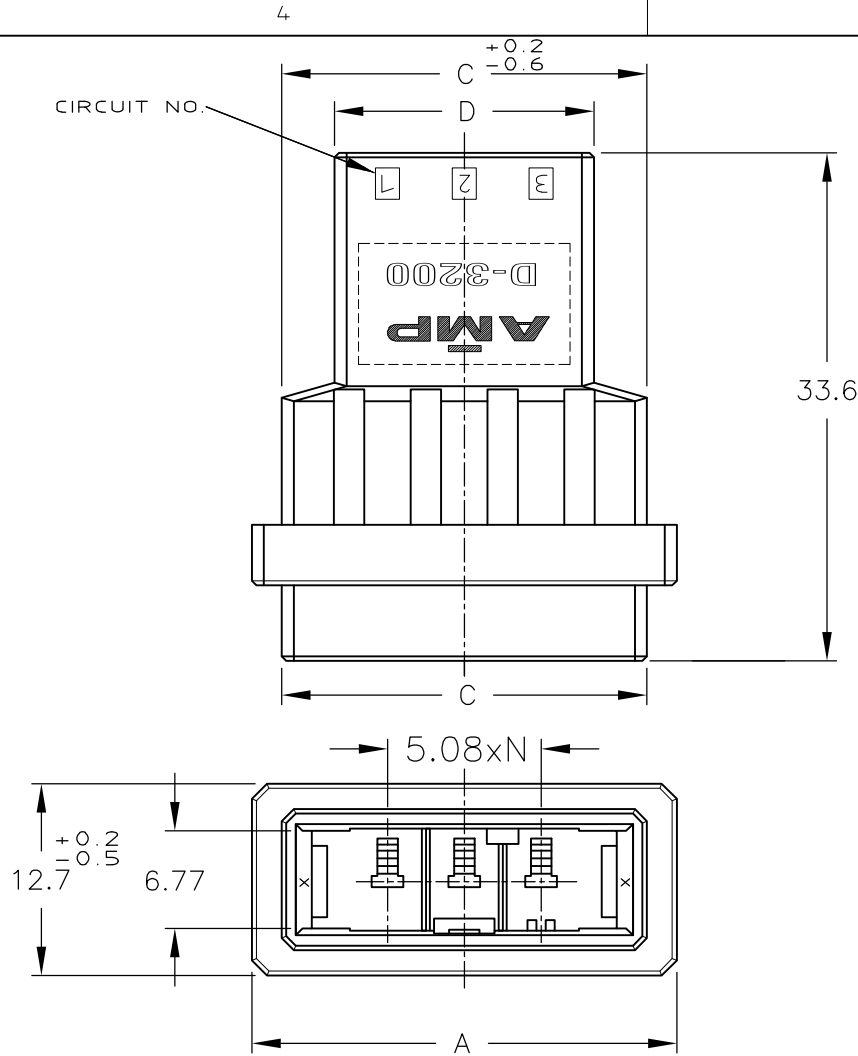


NUMBER 179552  
METRIC

DIMENSIONS IN MM. DO NOT SCALE PRINT

PRINT DIST



NOTES  
1 MATERIAL: GLASS FIELD THERMO PLASTIC, POLYESTER  
COLOR: BLACK  
~~2 TO COAT ALL SURFACE OF HOUSING WITH TEFLON~~

FINISH	KEYING PATTERN	POS.	DIMENSION	A	-	C	D	-	F	G	N	KEY	PART NUMBER
OBSOLETE				4	33.19	29.24	22.24		8.4	2	3	Y	6-179552-4
OBSOLETE				4	33.19	29.24	22.24		8.4	2	3	X	5-179552-4
-				4	33.19	29.24	22.24		8.4	2	3	Y	2-179552-4
-				4	33.19	29.24	22.24		8.4	2	3	X	1-179552-4
OBSOLETE				3	28.11	24.16	17.16		8.4	2	2	Y	6-179552-3
OBSOLETE				3	28.11	24.16	17.16		8.4	2	2	X	5-179552-3
-				3	28.11	24.16	17.16		8.4	2	2	Y	2-179552-3
-				3	28.11	24.16	17.16		8.4	2	2	X	1-179552-3
OBSOLETE				2	23.03	19.08	12.08		8.4	2	1	Y	6-179552-2
OBSOLETE				2	23.03	19.08	12.08		8.4	2	1	X	5-179552-2
-				2	23.03	19.08	12.08		8.4	2	1	Y	2-179552-2
-				2	23.03	19.08	12.08		8.4	2	1	X	1-179552-2

				<b>TE</b> TE Connectivity	
(WIRE RANGE)		(INSULATION DIA.)		(NAME)	
- mm (AWG - )		- mm		D3200S WIRE TO WIRE TAB HSG FOR DYNAMIC D-3200S FREE HANGING TYPE	
(MATERIAL)		(FINISH)		(No.)	
SEE NOTES				A3 J C-179552	
(GENERAL TOLERANCE)				(SCALE)	
≤10 : ±0.2				2/1	
10 ≤30 : ±0.25				REV. F	
30 ≤100 : ±0.3				SHEET 1 OF 1	
ANGLE : ±3°					
DR.	31 JAN 94	DE.	31 JAN 94		
N. Matsubara		N. Matsubara			
CHK.	1 FEB 94	APP.	1 FEB 94		
S. MANABE		S. MANABE			

## X-ON Electronics

Largest Supplier of Electrical and Electronic Components

*Click to view similar products for [Headers & Wire Housings](#) category:*

*Click to view products by [TE Connectivity](#) manufacturer:*

Other Similar products are found below :

[892-18-020-10-001101](#) [58102-G61-06LF](#) [582553-1](#) [0009485154](#) [009176003701906](#) [0050291907](#) [LY20-4P-DT1-P1E-BR](#) [02.125.8002.8](#)  
[609-3404](#) [61062-3](#) [61082-181009](#) [622-3653LF](#) [63453-116](#) [636-1030](#) [636-1427](#) [636-3427](#) [636-4007](#) [641938-9](#) [641991-4](#) [644827-2](#) [65817-010LF](#) [65817-015LF](#) [65863-015LF](#) [66207-023LF](#) [67095-007LF](#) [67601157](#) [68645-018](#) [68648-049](#) [70.362.1628.0](#) [70-4210](#) [70-4226B](#) [70-4853B](#) [707-5020](#) [707-5028](#) [71.350.2428.0](#) [71918-208LF](#) [71961-016LF](#) [733-134](#) [733-162](#) [754199-000](#) [760-3052](#) [787-8014-00](#) [79531-3000](#)  
[FCN-360C032-B](#) [FCN-367T-T012/H](#) [FCN-723D010/2](#) [80.063.4001.1](#) [800-90-001-10-001000](#) [800-90-010-10-002000](#) [801-43-002-10-013000](#)