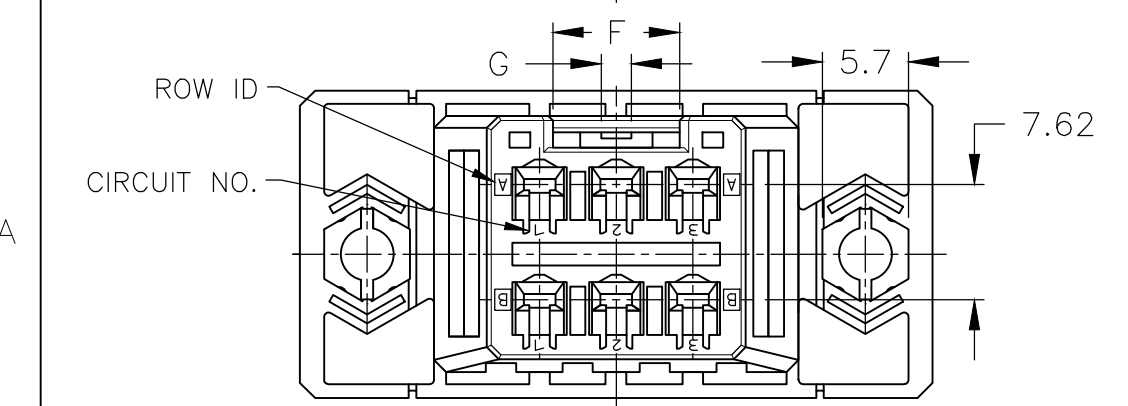
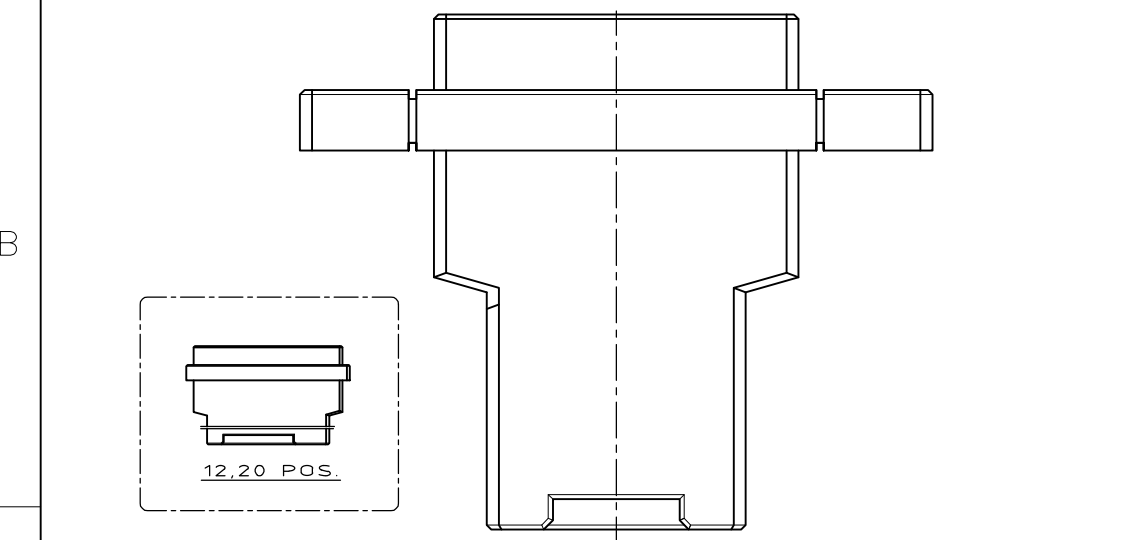
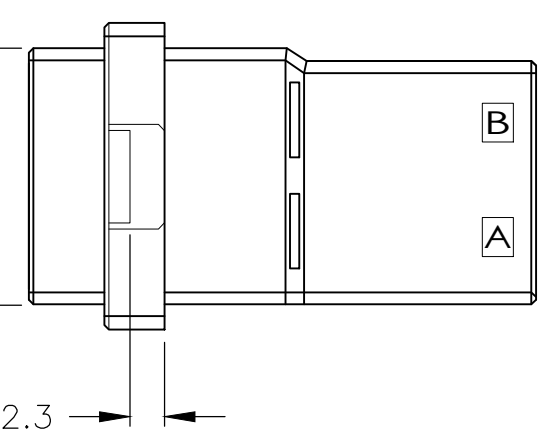
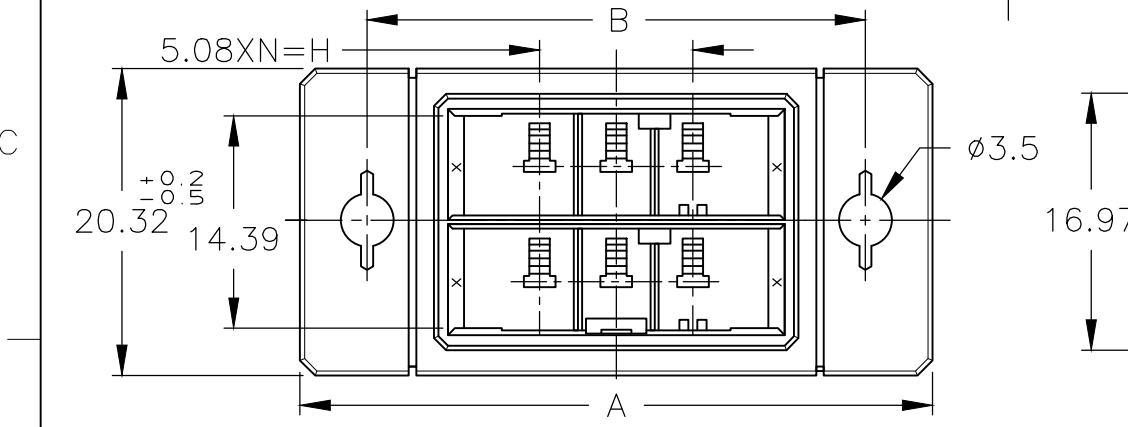
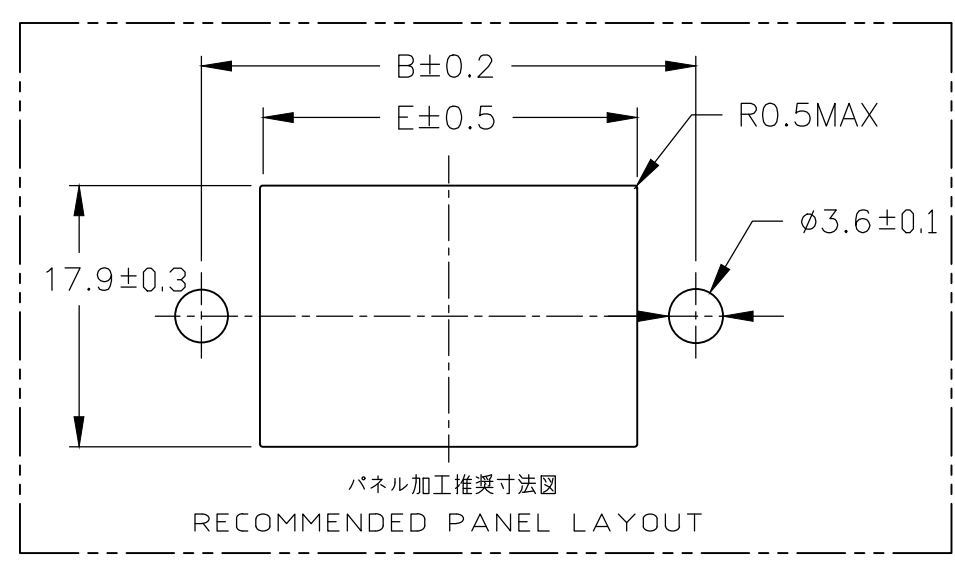
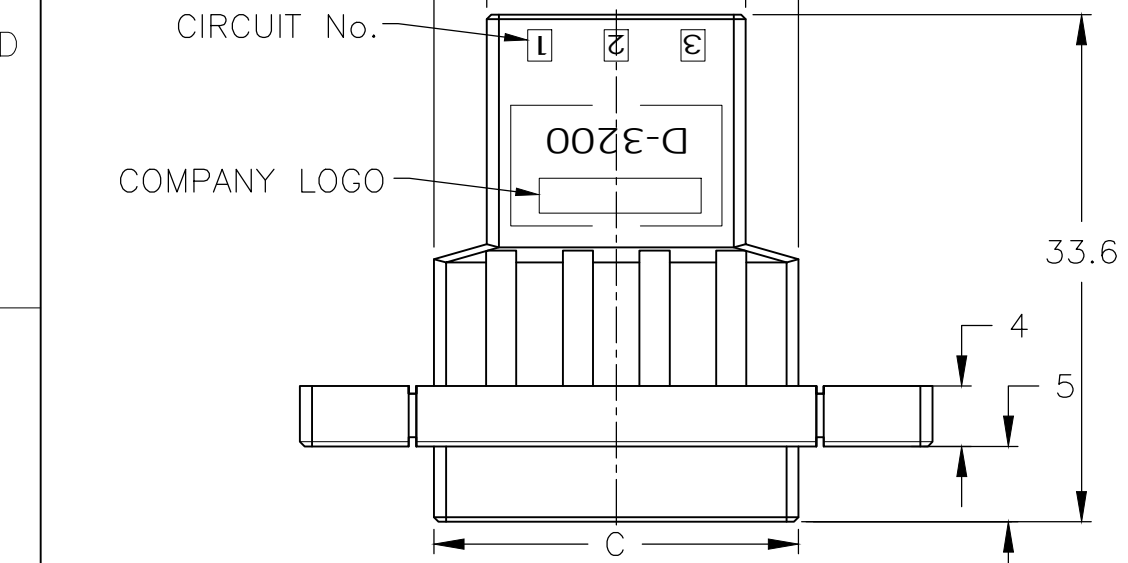


THIS DRAWING IS UNPUBLISHED. RELEASED FOR PUBLICATION
 © COPYRIGHT 1994 By - ALL RIGHTS RESERVED.

LOC	DIST	REVISIONS		
J	-	P	LTR	DESCRIPTION
		F	REVISED	DATE
				DWN
				APVD
				16MAR2020
				RI
				EI



	XX	1-179555-8
	XY	3-179555-6
	YY	2-179555-6
	XX	1-179555-6
	ZZ	4-179555-3
	XY	3-179555-3
	YY	2-179555-3
	XX	1-179555-3
キーイングパターン	キー	型番
KEYING PATTERN	KEY	PART NUMBER

- 1 MATERIAL: GLASS FILLED THERMO PLASTIC, POLYESTER
COLOR: BLACK
- 2 PANEL ATTACHMENT RECOMMENDATION M3 SCREW
- 1 材料: ガラス入り熱可塑性ポリエステル樹脂 色: 黒
- 2 パネル取り付け推奨ネジ M3

20	78.23	70	59.72	52.72	61	18.4	4.3	45.72	9	1-179555-8
12	57.91	49	39.40	32.40	41	18.4	4.3	25.40	5	3-179555-6
12	57.91	49	39.40	32.40	41	18.4	4.3	25.40	5	2-179555-6
12	57.91	49	39.40	32.40	41	18.4	4.3	25.40	5	1-179555-6
6	41.91	33	24.16	17.00	25	8.4	2	10.16	2	4-179555-3
6	41.91	33	24.16	17.16	25	8.4	2	10.16	2	3-179555-3
6	41.91	33	24.16	17.16	25	8.4	2	10.16	2	2-179555-3
6	41.91	33	24.16	17.16	25	8.4	2	10.16	2	1-179555-3
型番	A	B	C	D	E	F	G	H	N	型番
POS.	型番 DIMENSION									PART NUMBER

THIS DRAWING IS A CONTROLLED DOCUMENT.

DIMENSIONS: mm

TOLERANCES UNLESS OTHERWISE SPECIFIED:

- 0-PLC 10 ± 0.2
- 1-PLC 10 < 30 ± 0.25
- 2-PLC 30 < ± 0.3
- 3-PLC ±
- 4-PLC ±
- ANGLES ± 3°
- FINISH

MATERIAL 1

DWN N.MATSUBARA 31JAN1994

CHK S.MANABE 1FEB1994

APVD S.MANABE 1FEB1994

PRODUCT SPEC 108-5349

APPLICATION SPEC 114-5148

WEIGHT

CUSTOMER DRAWING

TE Connectivity

NAME パネルマウントタイプ タブハウジング ダイナミック3200シリーズ WIRE TO WIRE TAB HSG FOR DYNAMIC D-3200M PANEL MOUNT TYPE

SIZE A3 CAGE CODE 00779 DRAWING NO C-179555 RESTRICTED TO

SCALE 2:1 SHEET 1 OF 1 REV F

X-ON Electronics

Largest Supplier of Electrical and Electronic Components

Click to view similar products for [Headers & Wire Housings](#) category:

Click to view products by [TE Connectivity](#) manufacturer:

Other Similar products are found below :

[892-18-020-10-001101](#) [58102-G61-06LF](#) [582553-1](#) [0009485154](#) [009176003701906](#) [0050291907](#) [LY20-4P-DT1-P1E-BR](#) [02.125.8002.8](#)
[609-3404](#) [61062-3](#) [61082-181009](#) [622-3653LF](#) [63453-116](#) [636-1030](#) [636-1427](#) [636-3427](#) [636-4007](#) [641938-9](#) [641991-4](#) [644827-2](#) [65817-](#)
[010LF](#) [65817-015LF](#) [65863-015LF](#) [66207-023LF](#) [67095-007LF](#) [67601157](#) [68645-018](#) [68648-049](#) [70.362.1628.0](#) [70-4210](#) [70-4226B](#) [70-](#)
[4853B](#) [707-5020](#) [707-5028](#) [71.350.2428.0](#) [71918-208LF](#) [71961-016LF](#) [733-134](#) [733-162](#) [754199-000](#) [760-3052](#) [787-8014-00](#) [79531-3000](#)
[FCN-360C032-B](#) [FCN-367T-T012/H](#) [FCN-723D010/2](#) [80.063.4001.1](#) [800-90-001-10-001000](#) [800-90-010-10-002000](#) [801-43-002-10-013000](#)