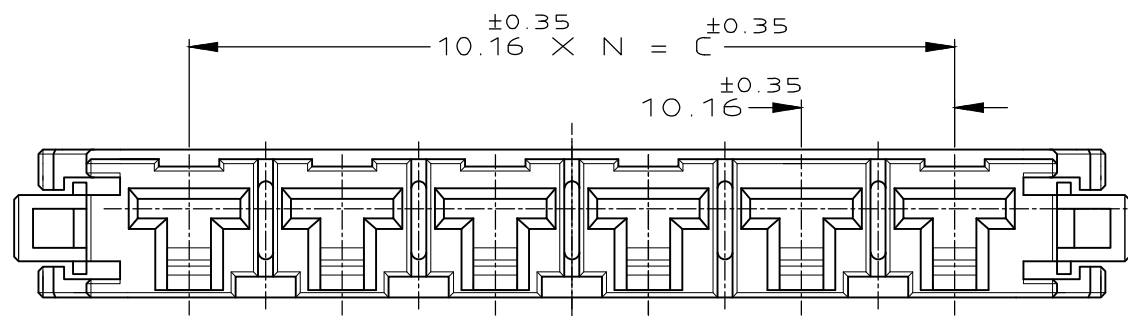
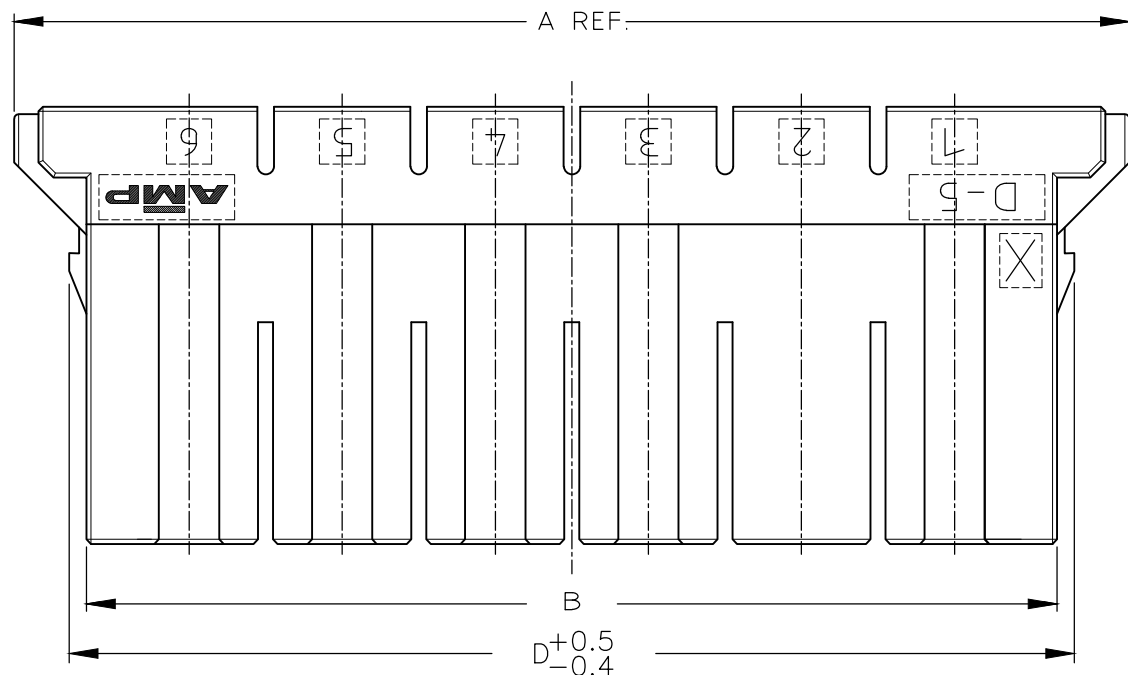
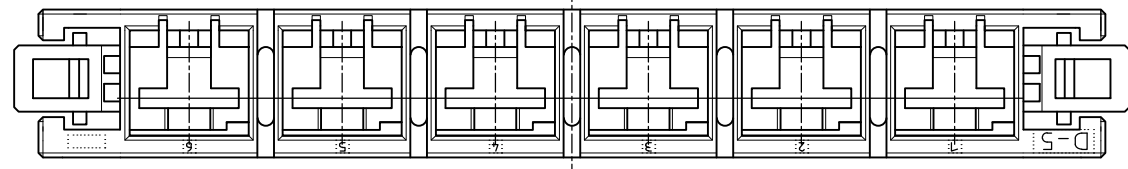
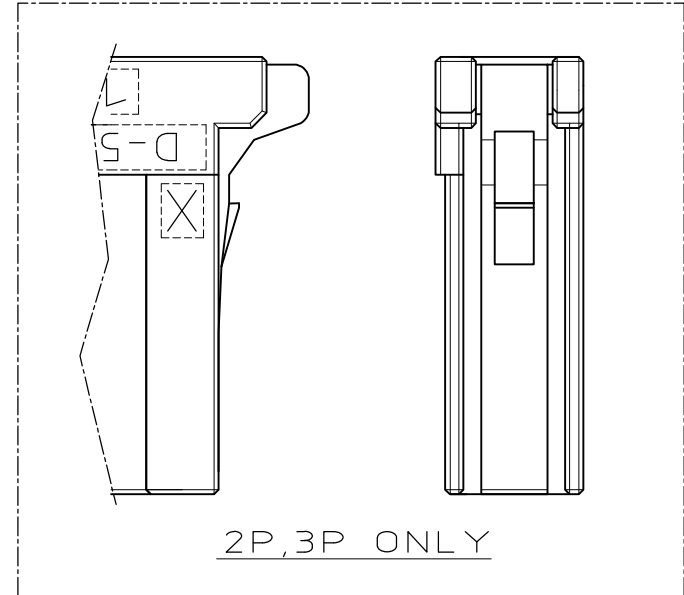
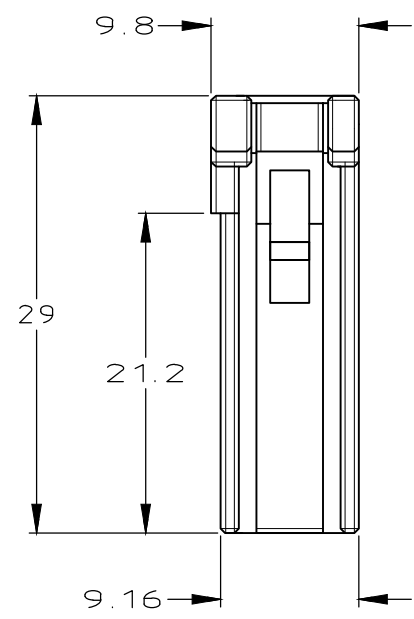
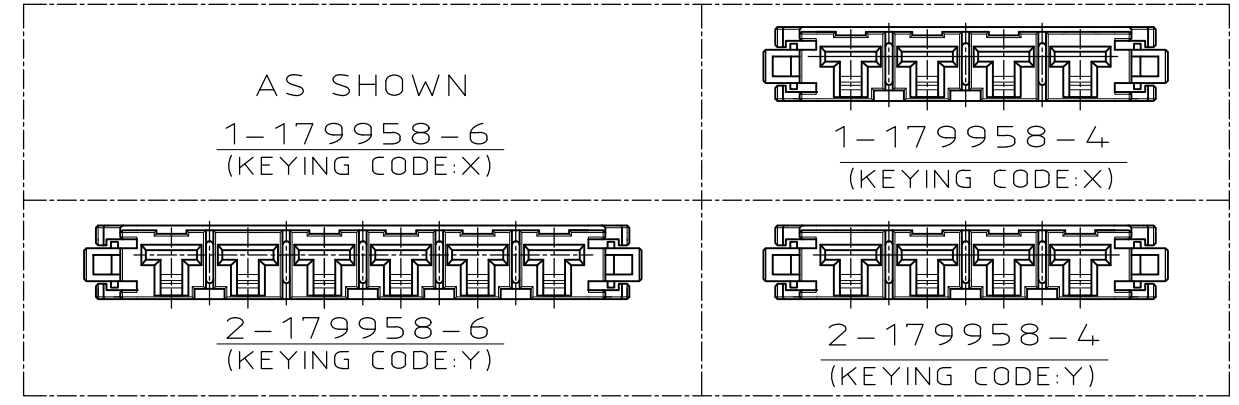


THIS DRAWING IS UNPUBLISHED. RELEASED FOR PUBLICATION
 © COPYRIGHT - By Tyco Electronics Japan G.K. ALL RIGHTS RESERVED.

REVISIONS					
P	LTR	DESCRIPTION	DATE	DWN	APVD
	H	REVISED PER ECR-19-000804	17JAN2019	A.W	R.B



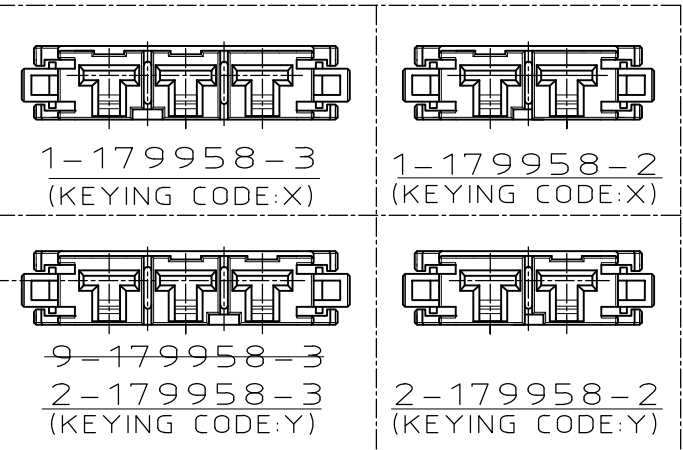
1-179958-6
(KEYING CODE:X)



- 注記
- ① 材料 ハウジングガラス入り熱可塑性ポリエステル樹脂(94V-0),色 黒
 - ② ハウジング全面にテフロン塗装のこと
 - ③ 製品規格 : 108-5453

- NOTES
- ① MATERIAL:HOUSING:GLASS FILED THERMO PLASTIC, POLYESTER(94V-0),COLOR:BLACK
 - ② TO COAT ALL SURFACE OF HOUSING WITH TEFLON
 - ③ PRODUCT SPEC :108-5453

												BLACK	2-179958-6
												BLACK	1-179958-6
OBSOLETE													5-179958-4
												BLACK	2-179958-4
OBSOLETE												BLACK	1-179958-4
OBSOLETE													5-179958-3
												NATURAL	9-179958-3
												BLACK	2-179958-3
												BLACK	1-179958-3
												BLACK	2-179958-2
												BLACK	1-179958-2
FINISH	D	C	B	A	N	POS	COLOR	P/N					



THIS DRAWING IS A CONTROLLED DOCUMENT.

DIMENSIONS: mm	TOLERANCES UNLESS OTHERWISE SPECIFIED:	DWN Y.ISHIKAWA 22MAR1995	 TE Connectivity
		CHK S.MANABE 23MAR1995	
		APVD S.MABABE 23MAR1995	
		PRODUCT SPEC	
MATERIAL	FINISH	NAME	SINGLE ROW REC HSG DYNAMIC D-5200
		SIZE	CAGE CODE
		DRAWING NO	RESTRICTED TO
		WEIGHT	SCALE
		CUSTOMER DRAWING	SHEET

X-ON Electronics

Largest Supplier of Electrical and Electronic Components

Click to view similar products for [Headers & Wire Housings](#) category:

Click to view products by [TE Connectivity](#) manufacturer:

Other Similar products are found below :

[892-18-020-10-001101](#) [58102-G61-06LF](#) [582553-1](#) [0009485154](#) [009176003701906](#) [0050291907](#) [LY20-4P-DT1-P1E-BR](#) [02.125.8002.8](#)
[609-3404](#) [61062-3](#) [61082-181009](#) [622-3653LF](#) [63453-116](#) [636-1030](#) [636-1427](#) [636-3427](#) [636-4007](#) [641938-9](#) [641991-4](#) [644827-2](#) [65817-](#)
[010LF](#) [65817-015LF](#) [65863-015LF](#) [66207-023LF](#) [67095-007LF](#) [67601157](#) [68645-018](#) [68648-049](#) [70.362.1628.0](#) [70-4210](#) [70-4226B](#) [70-](#)
[4853B](#) [707-5020](#) [707-5028](#) [71.350.2428.0](#) [71918-208LF](#) [71961-016LF](#) [733-134](#) [733-162](#) [754199-000](#) [760-3052](#) [787-8014-00](#) [79531-3000](#)
[FCN-360C032-B](#) [FCN-367T-T012/H](#) [FCN-723D010/2](#) [80.063.4001.1](#) [800-90-001-10-001000](#) [800-90-010-10-002000](#) [801-43-002-10-013000](#)