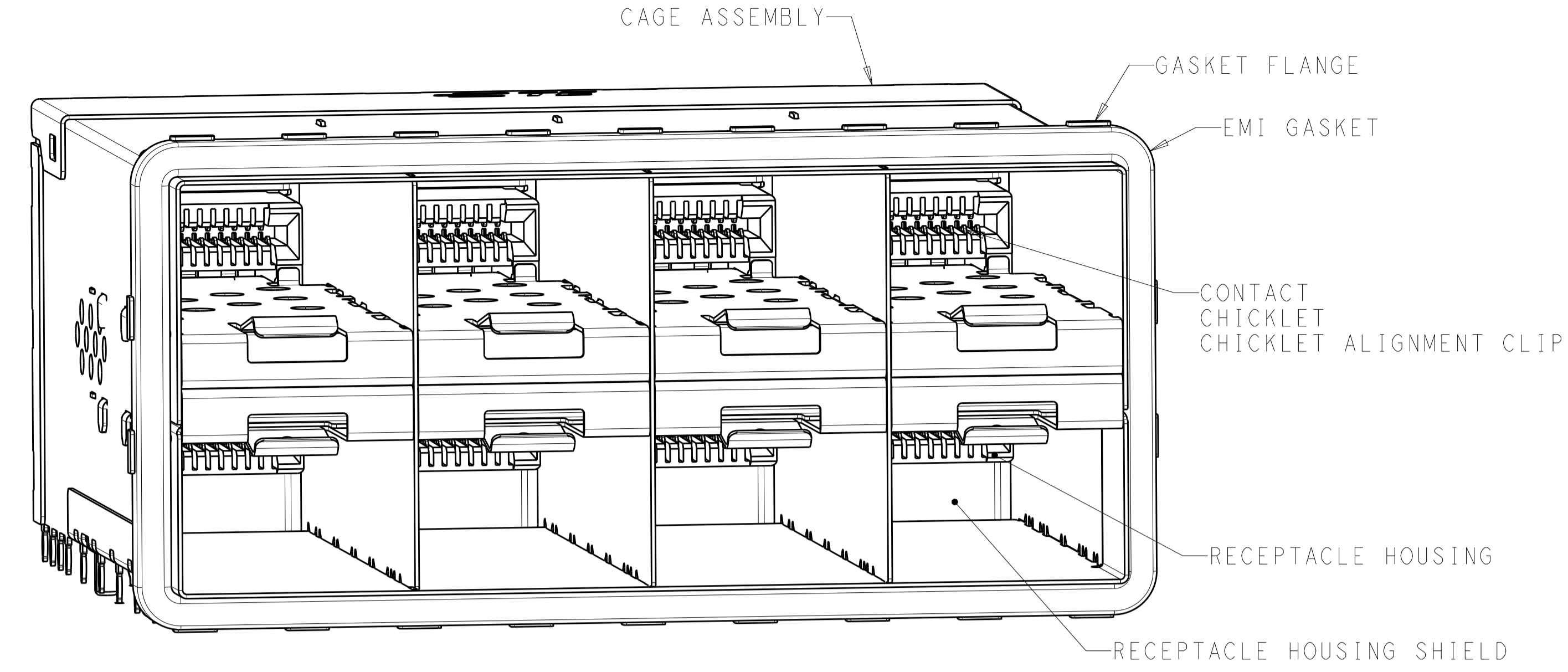
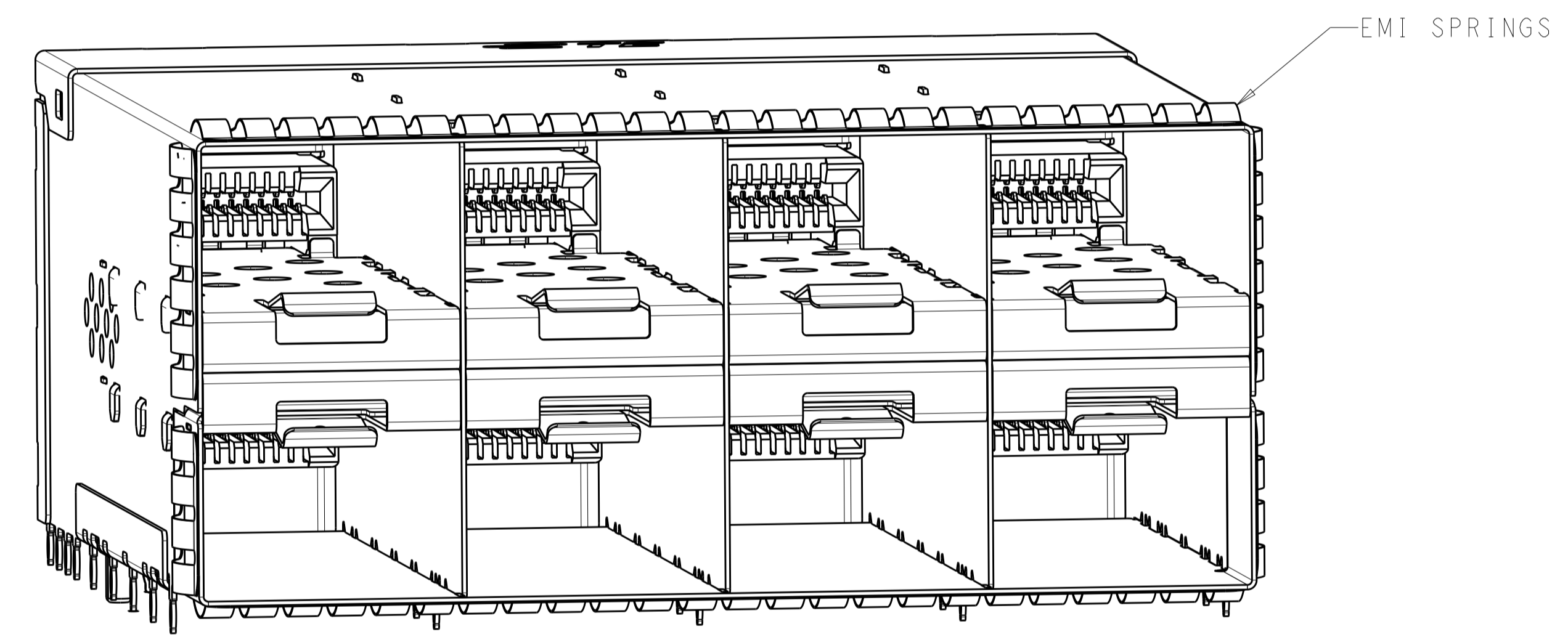


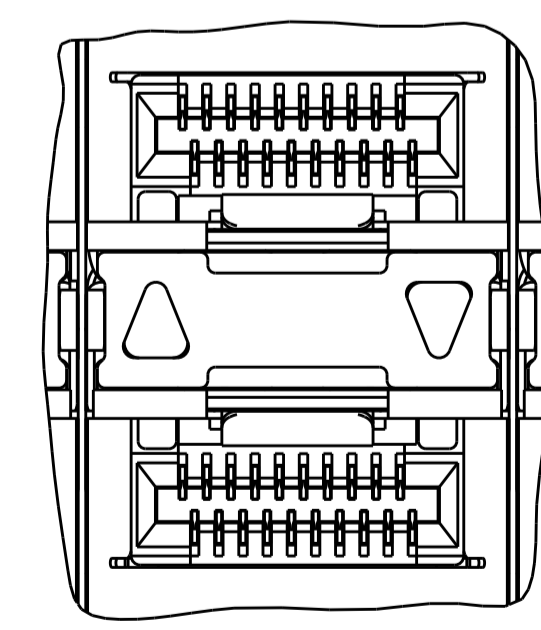
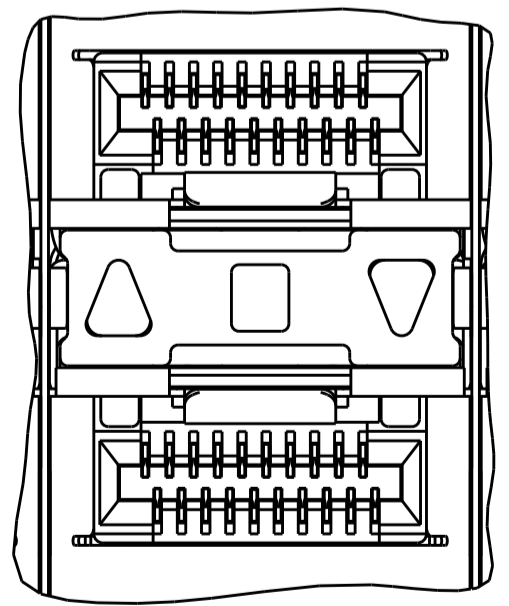
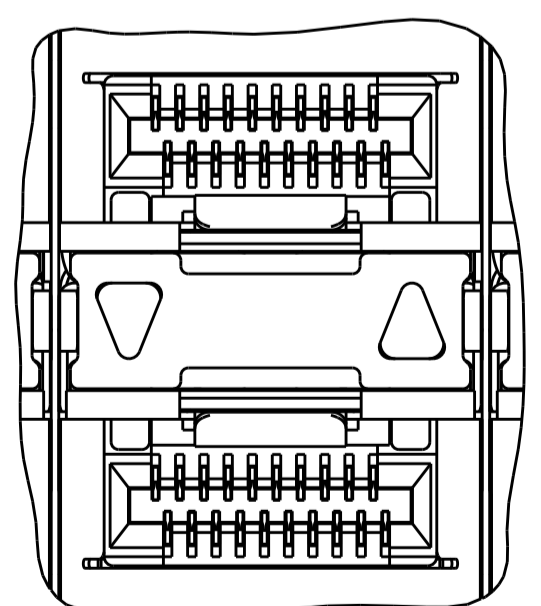
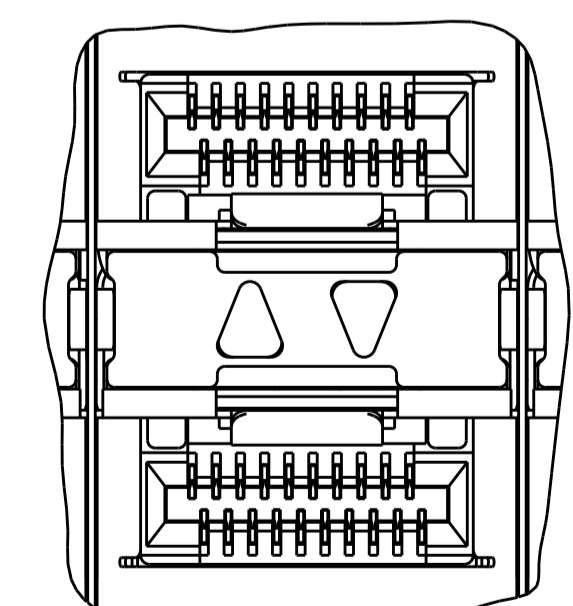
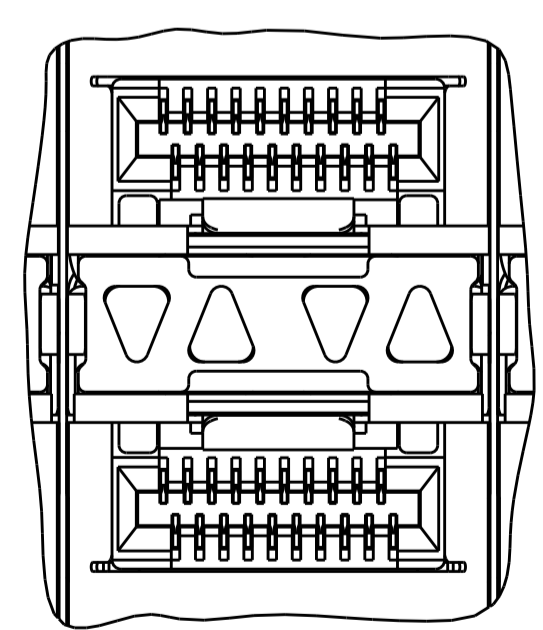
LOC	DIST	REVISIONS					
GP	00	P	LTN	DESCRIPTION	DATE	DWN	APVD
		A		RELEASED PER ECO-14-008758	12JUN2014	CJV	PAR
		B		REVISED PER ECO-15-010819	10AUG2015	PP	SH
		C		REVISED PER ECO-16-004263	18MAR2016	KQ	SH
		C1		REVISED PER ECO-16-013892	11JUL2016	PP	SH



2180324-1  
SCALE 4:1



2180324-5  
SCALE 4:1



INNER/OUTER LIGHT PIPES  
2180324-2, 2180324-6  
SCALE 4:1

INNER LIGHT PIPES  
2180324-3, 2180324-7  
SCALE 4:1

OUTER LIGHT PIPES  
2180324-4, 2180324-8  
SCALE 4:1

CENTER/REVERSED OUTER  
1-2180324-7, 1-2180324-9  
SCALE 4:1

REVERSED OUTER LIGHT PIPES  
1-2180324-8, 2-2180324-0  
SCALE 4:1

- MATERIALS:  
CAGE ASSEMBLY - NICKEL-SILVER ALLOY PER ASTM B 122  
CONNECTOR HOUSING - LCP, BLACK, UL 94V-0 RATED  
CONNECTOR HOUSING SHIELD - COPPER ALLOY  
CHICKLET - LCP, BLACK, UL 94V-0 RATED  
CHICKLET ALIGNMENT CLIP - PBT  
CONTACT - COPPER ALLOY  
EMI GASKET - ELASTOMERIC  
GASKET FLANGE - STAINLESS STEEL  
EMI SPRINGS - PHOSPHOR BRONZE PER ASTM B 103,  
0.8µm MIN TIN PER ASTM B 545  
LIGHT PIPE - POLYCARBONATE  
LIGHT PIPE HOUSING - ZINC ALLOY
  - CONTACT FINISH:  
CONFORMS TO THE REQUIREMENTS OF PRODUCT SPECIFICATION 108-2481,  
BASED ON EIA/ECA-364-1000.01A, (CONTROLLED ENVIRONMENT  
APPLICATIONS) ON MATING INTERFACE, TIN ON NEEDLE EYE
  - PCB MINIMUM THICKNESS = 1.5mm
- △ FOR HOLE SIZE AND PLATINGS,  
SEE APPLICATION SPECIFICATION 114-13319
- △ LIGHT PIPE PAD LAYOUT IS FOR 0805 LOW PROFILE  
LED PACKAGE WITH A HEIGHT OF 0.8mm
- △ DIMENSIONS APPLY FOR EMI SPRINGS ONLY
- △ THE ENTIRE AREA OF THE CONNECTOR FOOTPRINT, INDICATED BY THE  
DASHED LINE, TO BE CONSIDERED THE KEEPOUT AREA FOR COMPONENTS  
AND SIGNAL TRACES, TOP SIDE ONLY, TOP SIDE TRACES ALLOWED  
WITHIN CONNECTOR HOLE PATTERN

59.5	EMI SPRING AIRFLOW ENHANCE TYPE	OUTER	3-2180324-3	
59.5	EMI SPRING AIRFLOW ENHANCE TYPE	CENTER/REVERSED OUTER	3-2180324-2	
59.5	EMI SPRING AIRFLOW ENHANCE TYPE	NONE	3-2180324-1	
62.25	EMI GASKET AIRFLOW ENHANCE TYPE	NONE	3-2180324-0	
59.5	EMI SPRINGS	REVERSED OUTER	2-2180324-0	
		CENTER/REVERSED OUTER	1-2180324-9	
62.25	EMI GASKET	REVERSED OUTER	1-2180324-8	
		CENTER/REVERSED OUTER	1-2180324-7	
59.5	EMI SPRINGS	OUTER	2180324-8	
		INNER	2180324-7	
		INNER/OUTER	2180324-6	
62.25	EMI GASKET	NONE	2180324-5	
		OUTER	2180324-4	
		INNER	2180324-3	
		INNER/OUTER	2180324-2	
(E)	CAGE TYPE	NONE	2180324-1	
		LIGHT PIPE CONFIGURATION		PART NUMBER

THIS DRAWING IS A CONTROLLED DOCUMENT.

DM: M. E. CONNER 14SEP2011  
CM: M. D. MORRISON 16SEP2011  
APVD: M. D. MORRISON 25OCT2011

TE Connectivity

RECEPTACLE ASSEMBLY, 2X4,  
STACKED, zSFP+

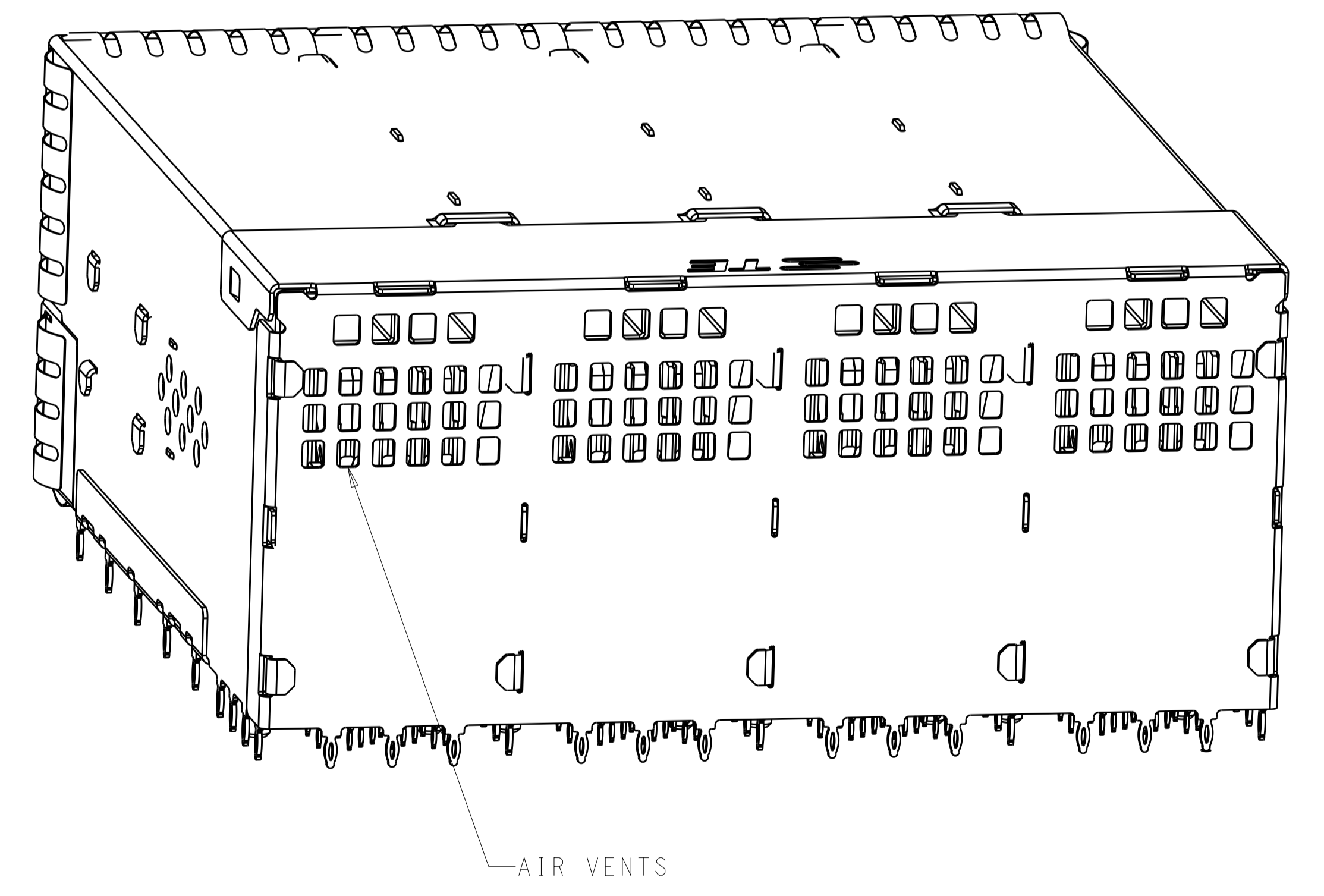
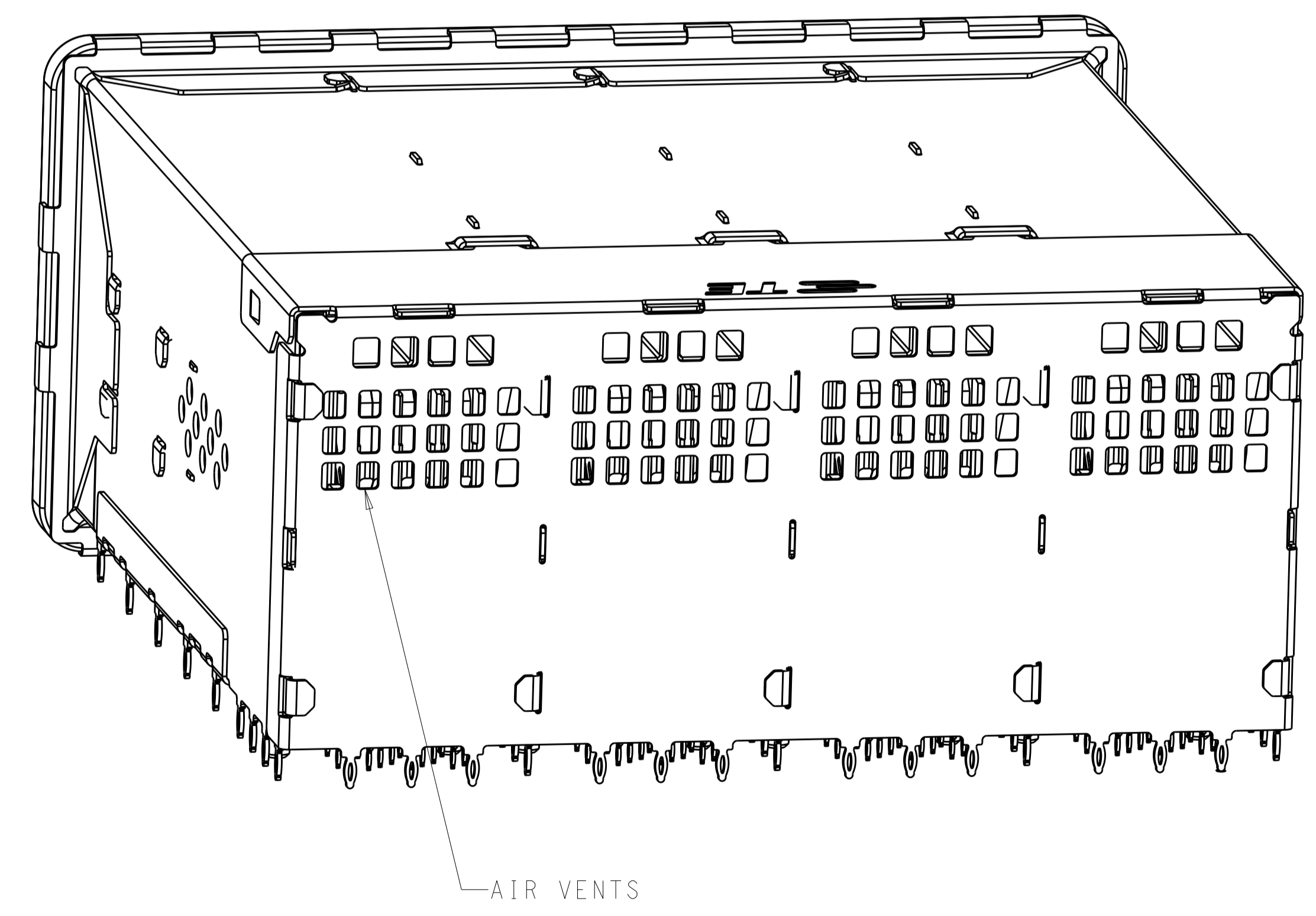
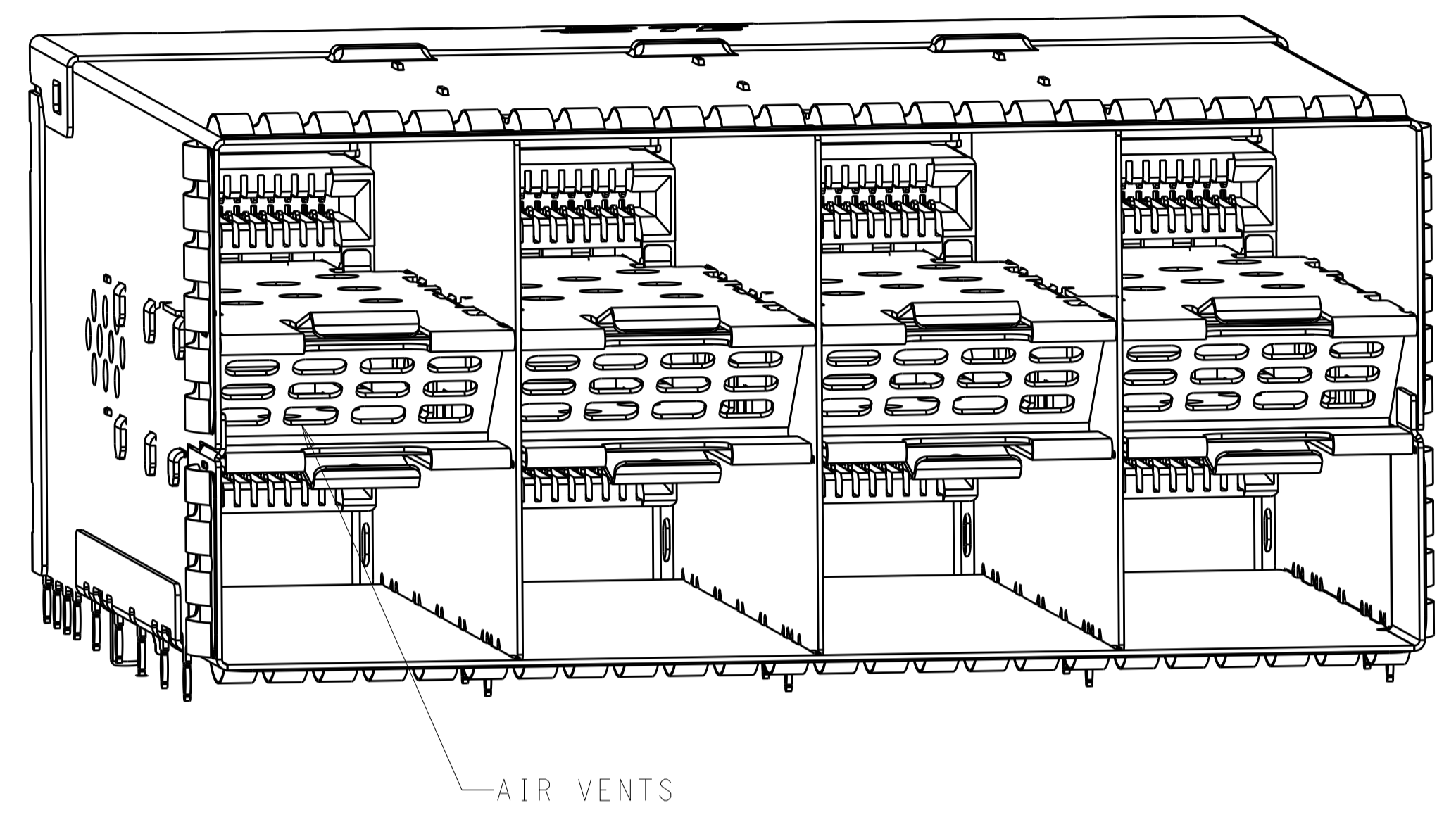
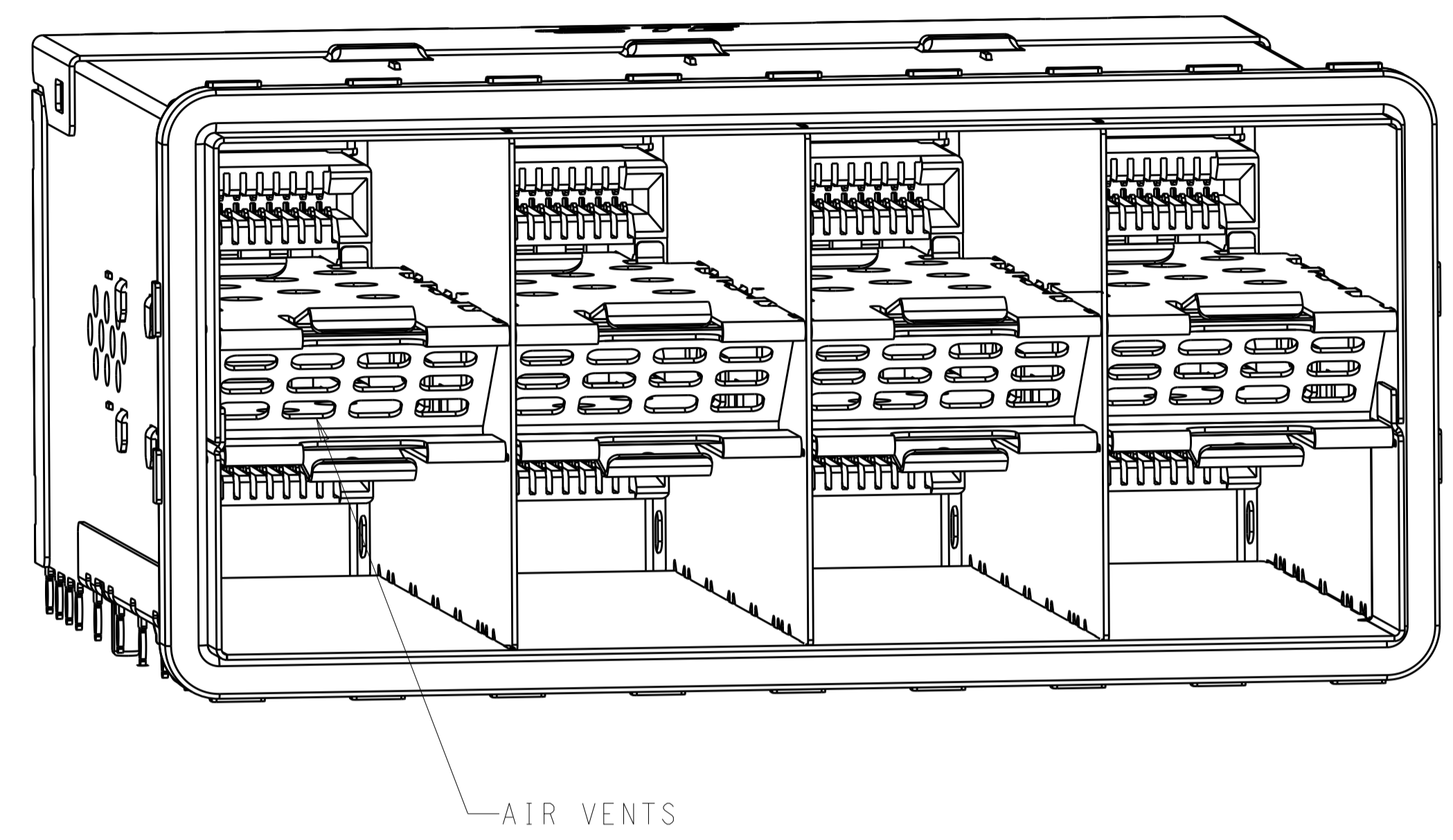
SIZE: CAGE CODE DRAWING NO: A100779C=2180324  
SHEET 1 OF 7  
SCALE 2:1  
REV C1

MATERIAL: SEE NOTES  
FINISH: SEE NOTES  
TOLERANCES UNLESS OTHERWISE SPECIFIED:  
mm  
0 PLC ±0.13  
1 PLC ±0.13  
2 PLC ±0.13  
3 PLC ±0.13  
4 PLC ±0.13  
ANGLES ±0.13

PRODUCT SPEC: 108-2481  
APPLICATION SPEC: 114-13319  
WEIGHT: -  
CUSTOMER DRAWING


LOC	DIST	REVISIONS			
P	LTN	DESCRIPTION	DATE	DWN	APVD
-	-	SEE SHEET 1	-	-	-

# AIRFLOW ENHANCE W/O LP TYPE



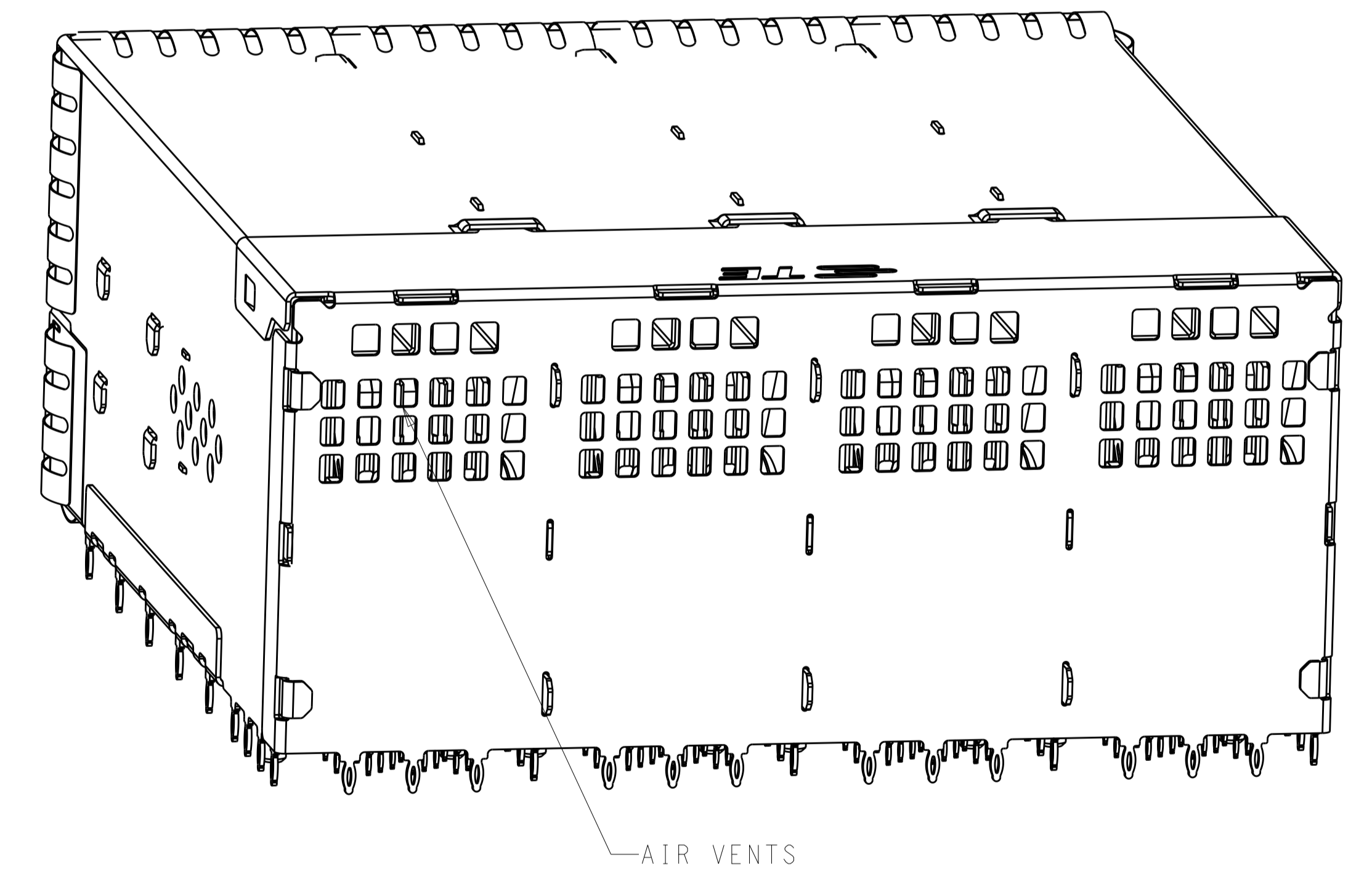
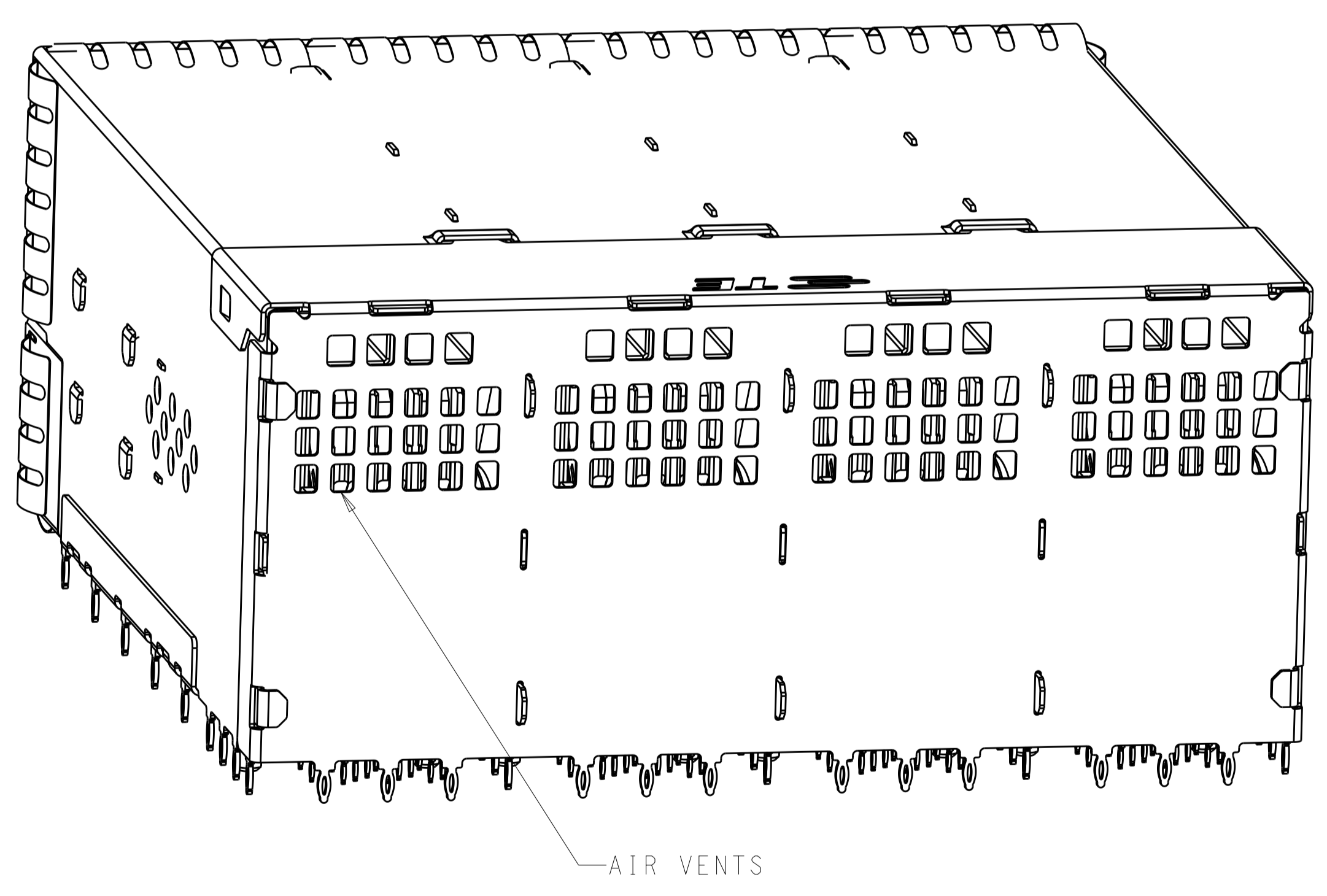
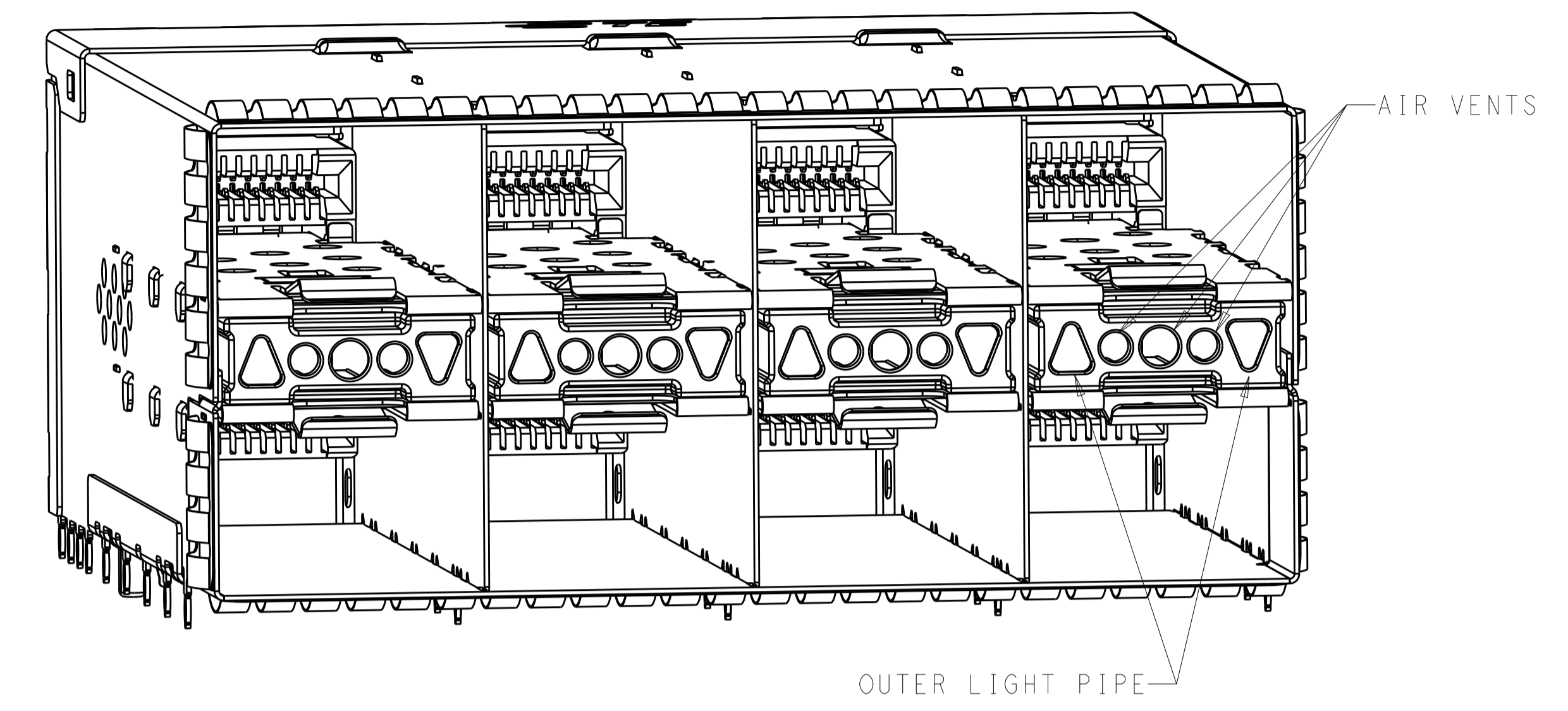
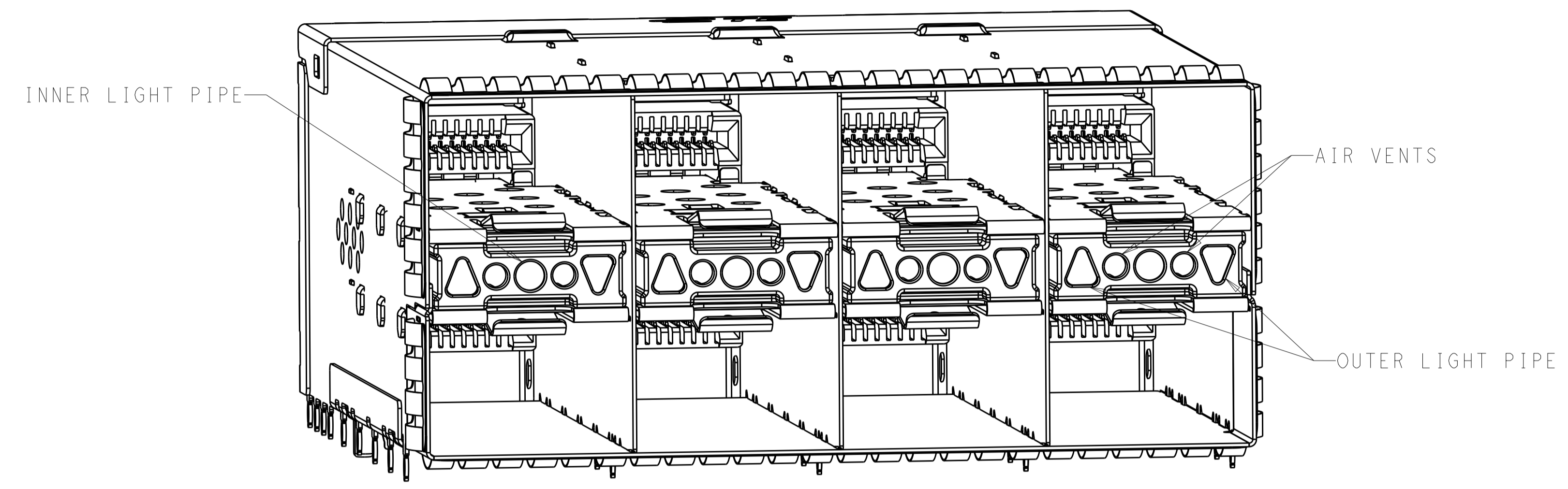
3-2180324-0  
EMI GASKET TYPE

3-2180324-1  
EMI SPRING TYPE

THIS DRAWING IS A CONTROLLED DOCUMENT.		DWN: M.E. CONNER 14SEP2011	 TE Connectivity
DIMENSIONS: mm		CHK: M.D. MORRISON 16SEP2011	
TOLERANCES UNLESS OTHERWISE SPECIFIED:		APVD: M.D. MORRISON 25OCT2011	NAME: RECEPTACLE ASSEMBLY, 2X4, STACKED, zSFP+
0 PLC	±0.13	PRODUCT SPEC	SIZE: CAGE CODE DRAWING NO. RESTRICTED TO
1 PLC	±0.13	108-2481	A100779C=2180324
2 PLC	±0.13	APPLICATION SPEC	SCALE: 2:1 SHEET 2 OF 7 REV: C1
3 PLC	±0.13	114-13319	
4 PLC	±0.13	WEIGHT	
ANGLES	±0.13	CUSTOMER DRAWING	
MATERIAL: SEE NOTES	FINISH: SEE NOTES		

LOC		DIST		REVISIONS			
GP	00	P	LYR	DESCRIPTION	DATE	OWN	APVD
		-		SEE SHEET 1			

# AIRFLOW ENHANCE W/ LP TYPE

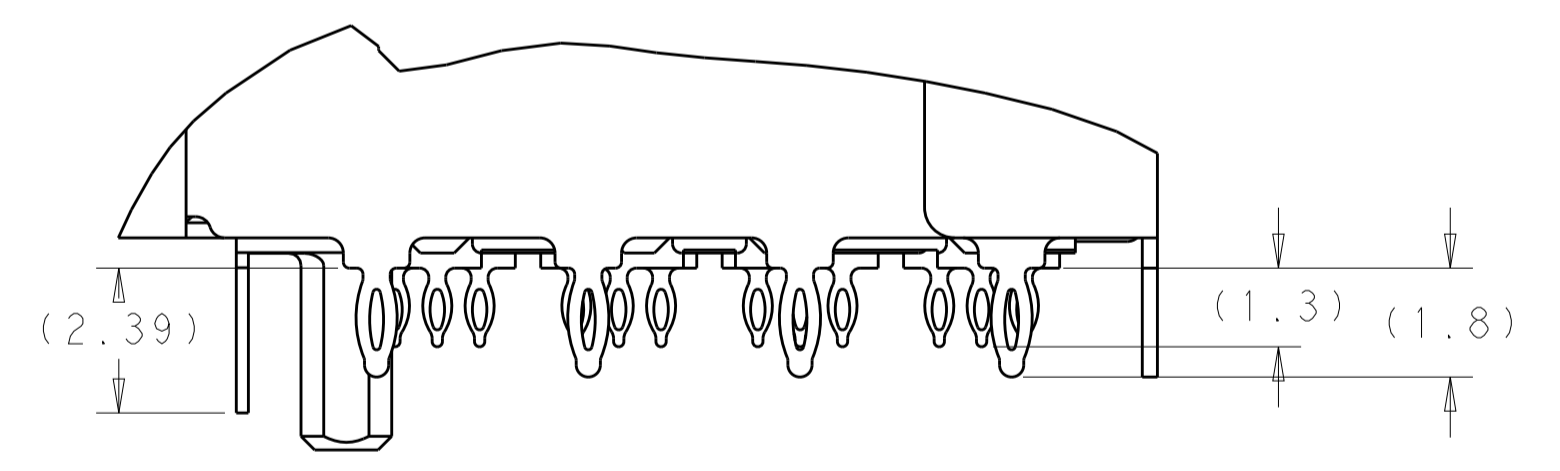
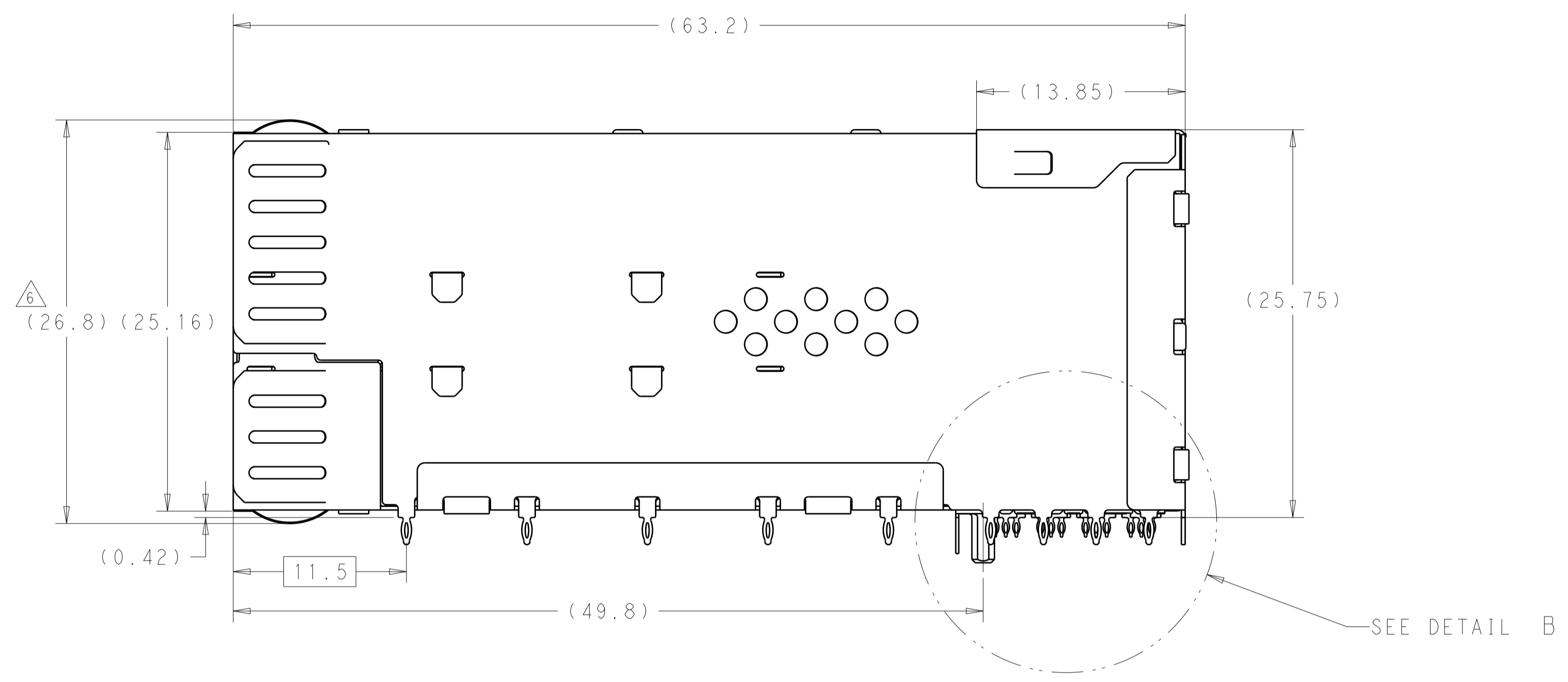
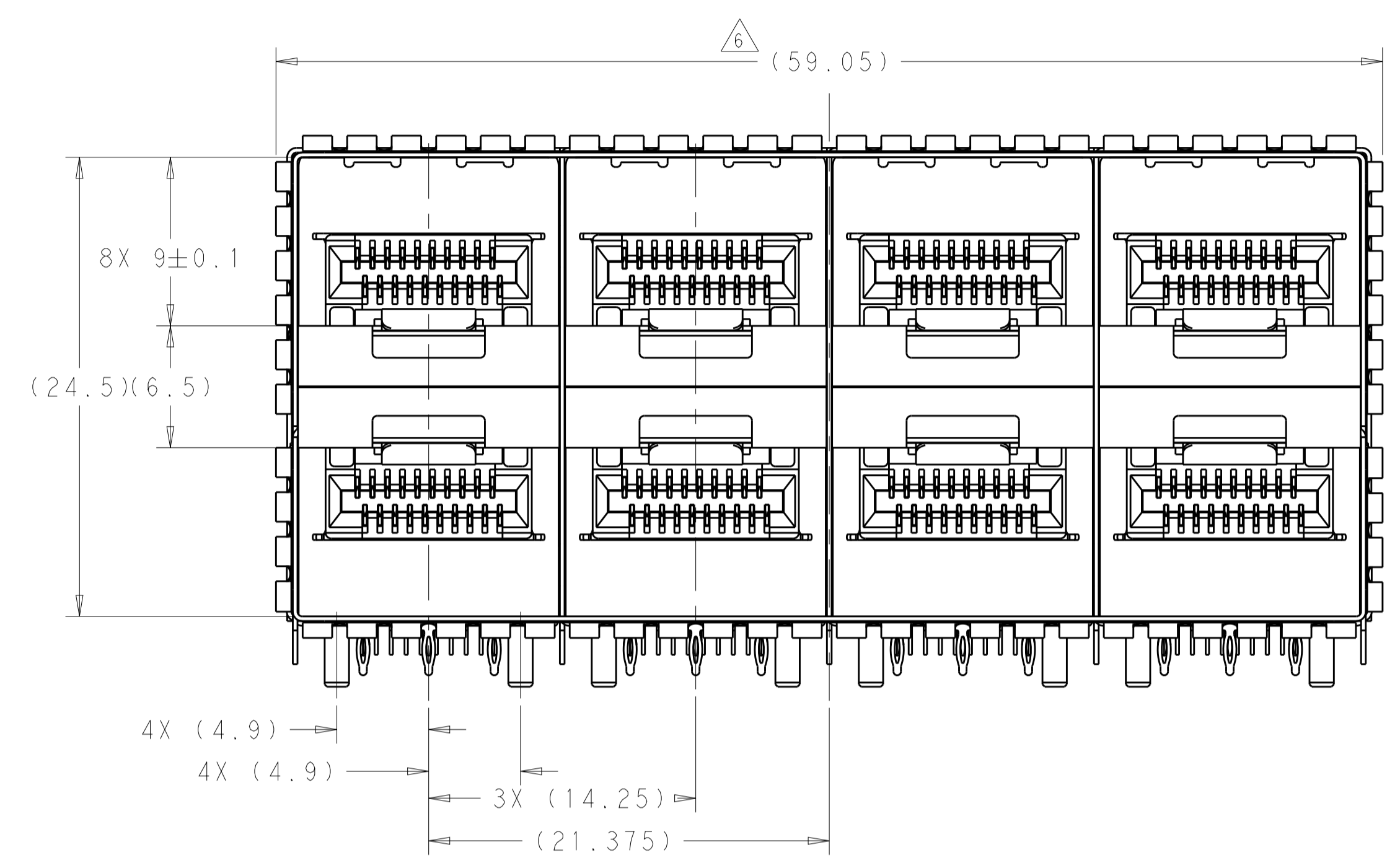


3-2180324-2  
EMI SPRING W/ LP TYPE

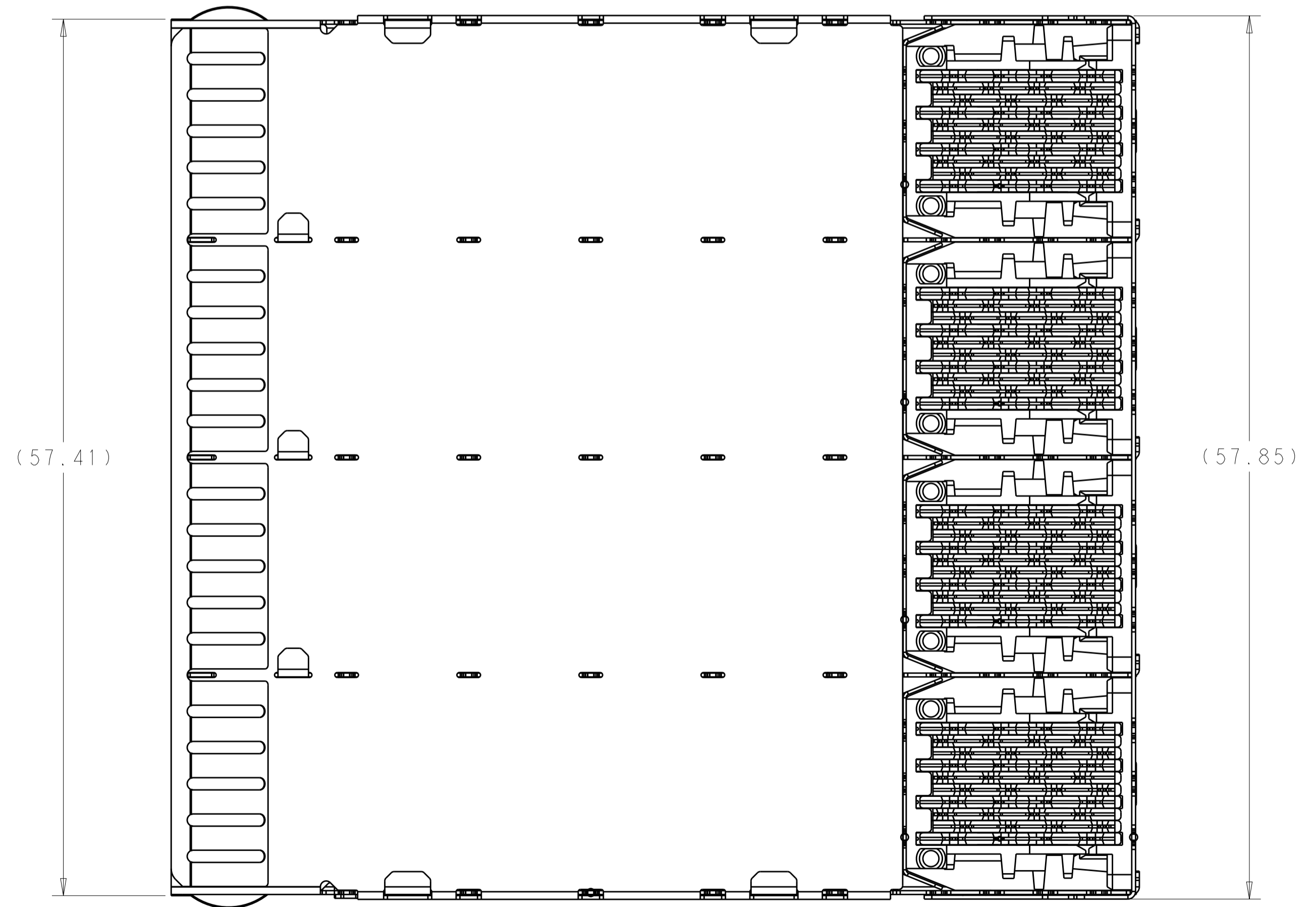
3-2180324-3  
EMI SPRING W/ OUTER LP TYPE

THIS DRAWING IS A CONTROLLED DOCUMENT.		OWN: M.E. CONNER 14SEP2011	TE Connectivity
DIMENSIONS: mm		CHK: M.D. MORRISON 16SEP2011	
TOLERANCES UNLESS OTHERWISE SPECIFIED:		APVD: M.D. MORRISON 25OCT2011	NAME: RECEPTACLE ASSEMBLY, 2X4, STACKED, zSFP+
0 PLC ±0.13 1 PLC ±0.13 2 PLC ±0.13 3 PLC ±0.13 4 PLC ±0.13 ANGLES ±0.13		PRODUCT SPEC: 108-2481	
MATERIAL: SEE NOTES		FINISH: SEE NOTES	RESTRICTED TO: -
		WEIGHT: -	SIZE: A1
		CUSTOMER DRAWING	SCALE: 2:1 SHEET 3 OF 7 REV: C1

LOC	DIST	REVISIONS					
GP	00	P	LTN	DESCRIPTION	DATE	DMN	APVD
		-		SEE SHEET 1	-	-	-



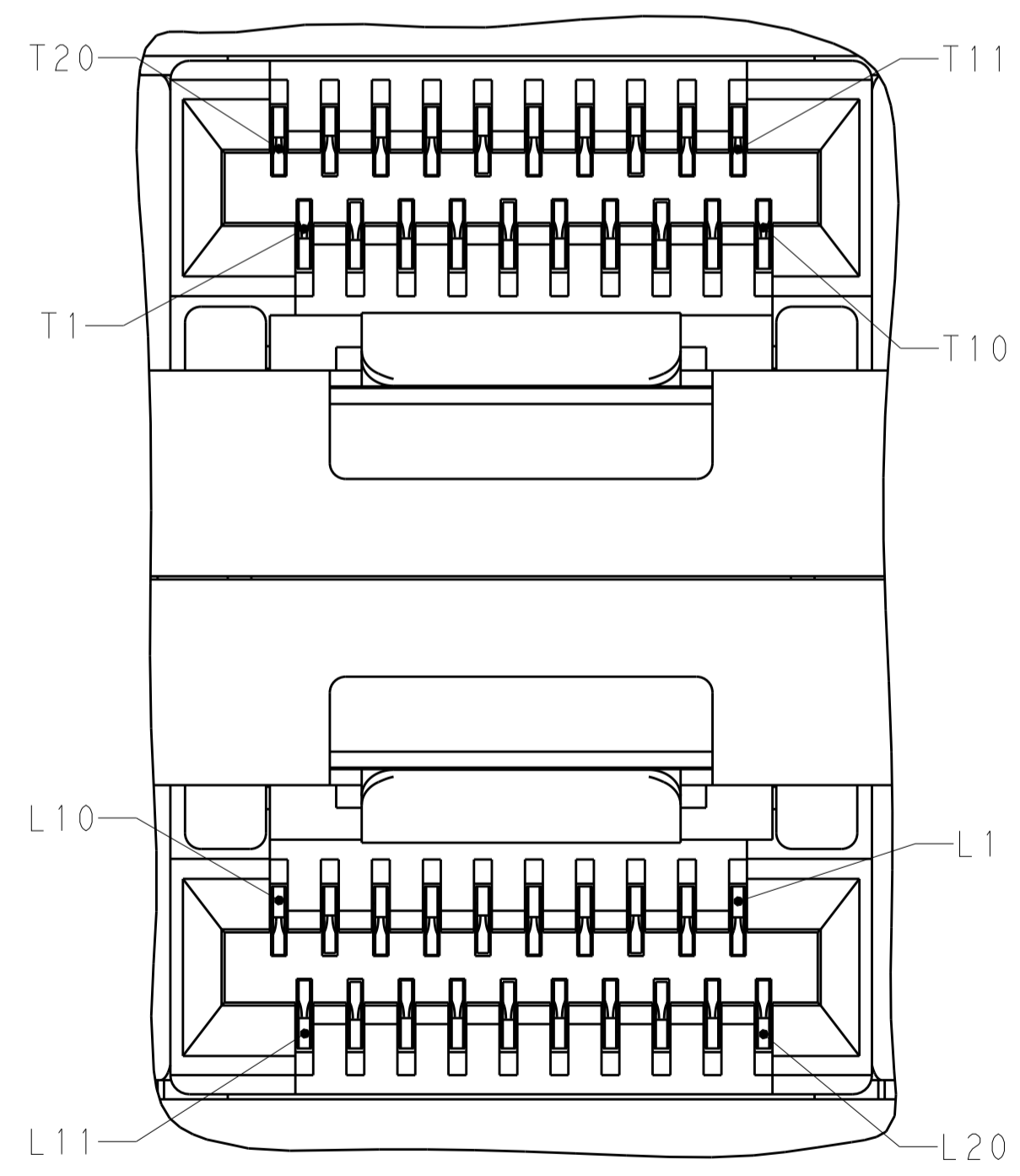
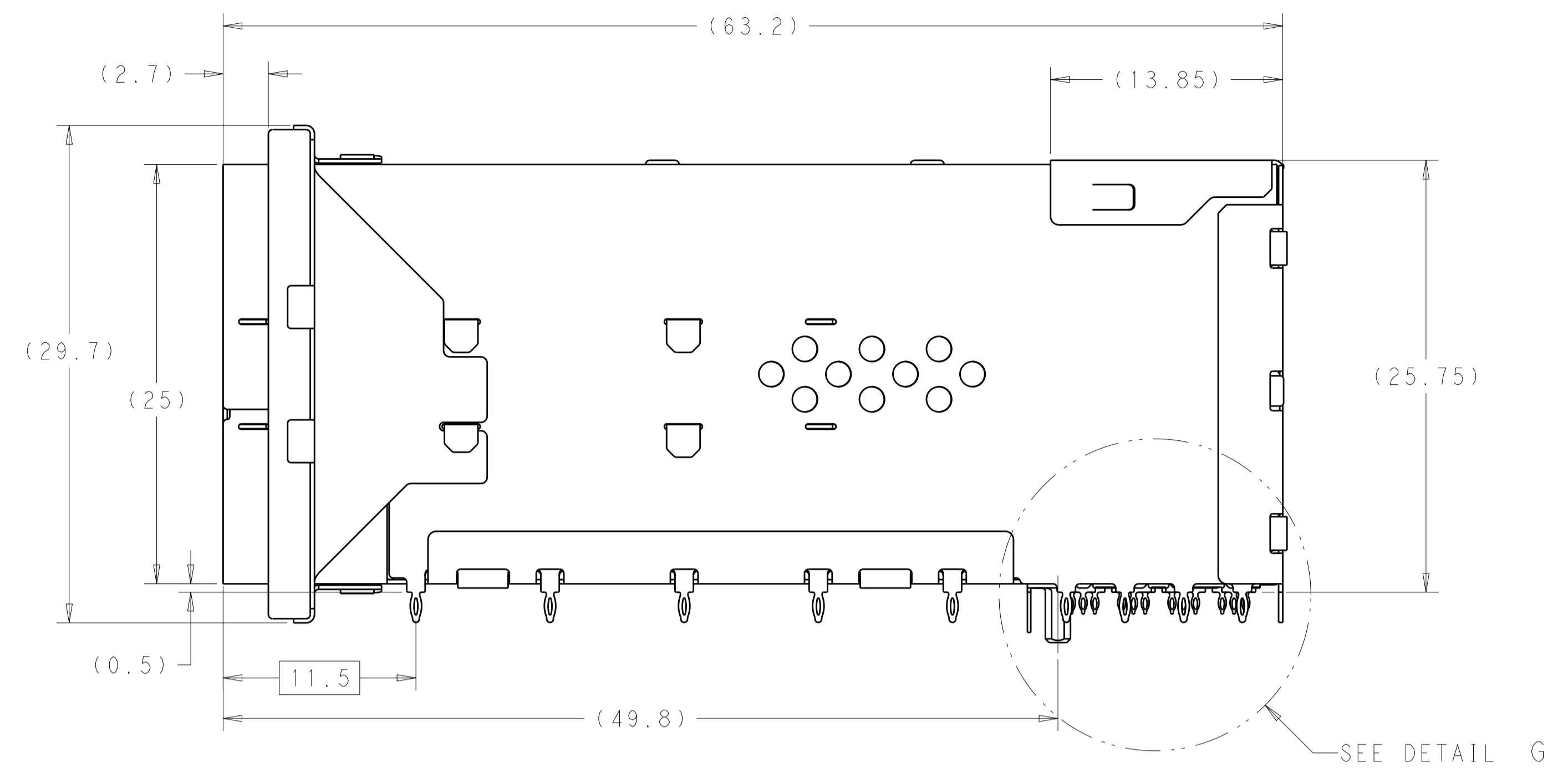
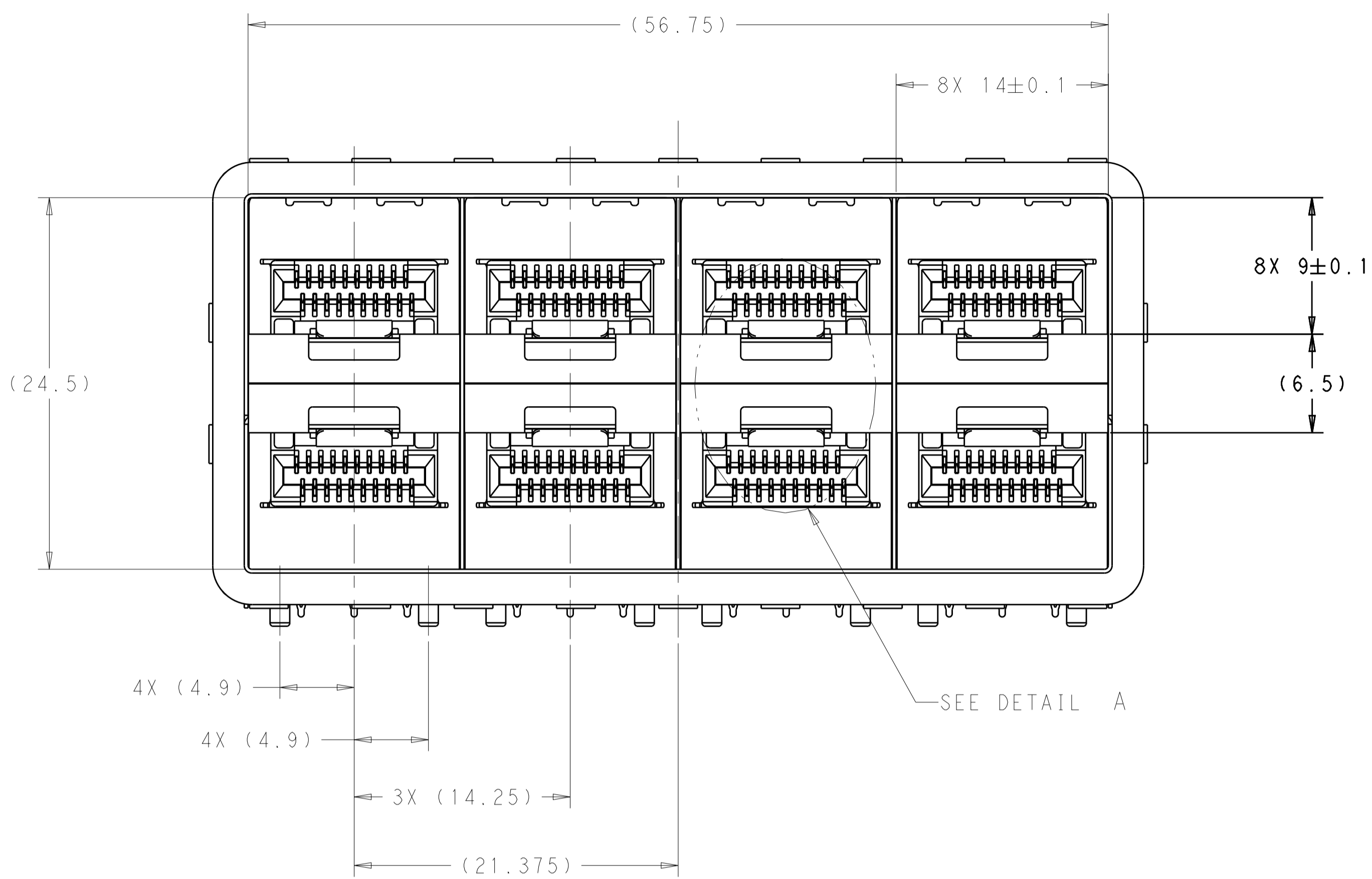
DETAIL B  
SCALE 8:1



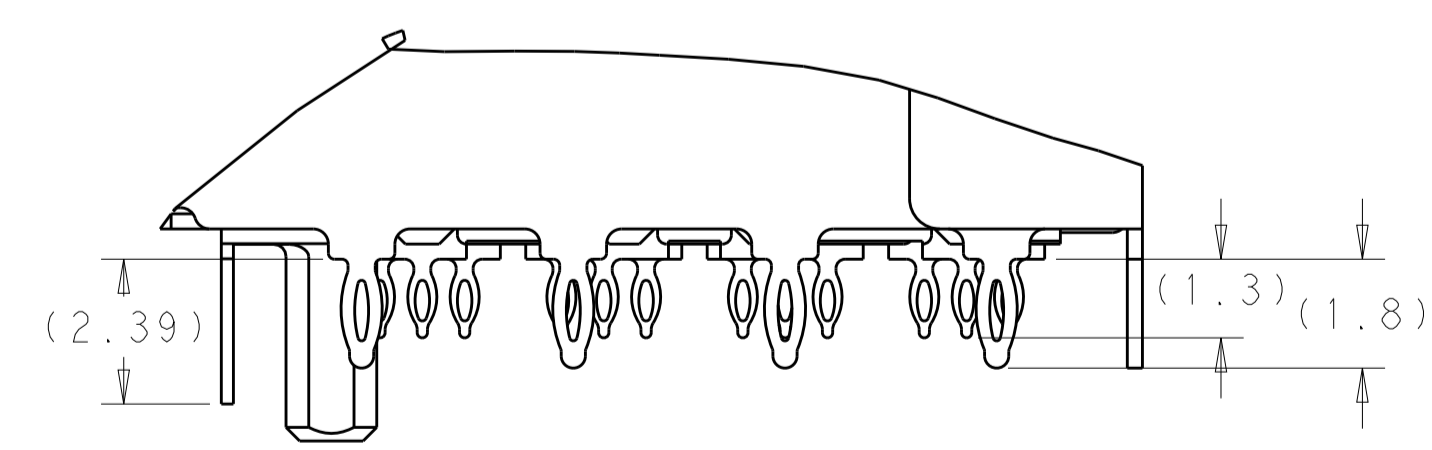
2180324-5 THRU 2180324-8, 1-2180324-9, 2-2180324-0, 3-2180324-1, 3-2180324-2, 3-2180324-3  
 EMI SPRINGS ONLY  
 SCALE 4:1

THIS DRAWING IS A CONTROLLED DOCUMENT.		DMN: M. E. CONNER 14SEP2011	TE Connectivity
DIMENSIONS: mm		CHK: M. D. MORRISON 16SEP2011	
TOLERANCES UNLESS OTHERWISE SPECIFIED:		APVD: M. D. MORRISON 25OCT2011	NAME: RECEPTACLE ASSEMBLY, 2X4, STACKED, zSFP+
0 PLC ±0.13 1 PLC ±0.13 2 PLC ±0.13 3 PLC ±0.13 4 PLC ±0.13 ANGLES ±0.13		PRODUCT SPEC: 108-2481	SIZE: A100779
MATERIAL: SEE NOTES		APPLICATION SPEC: 114-13319	CAGE CODE: C=2180324
FINISH: SEE NOTES		WEIGHT: -	RESTRICTED TO: -
		CUSTOMER DRAWING	SCALE: 2:1 SHEET 4 OF 7 REV: C1

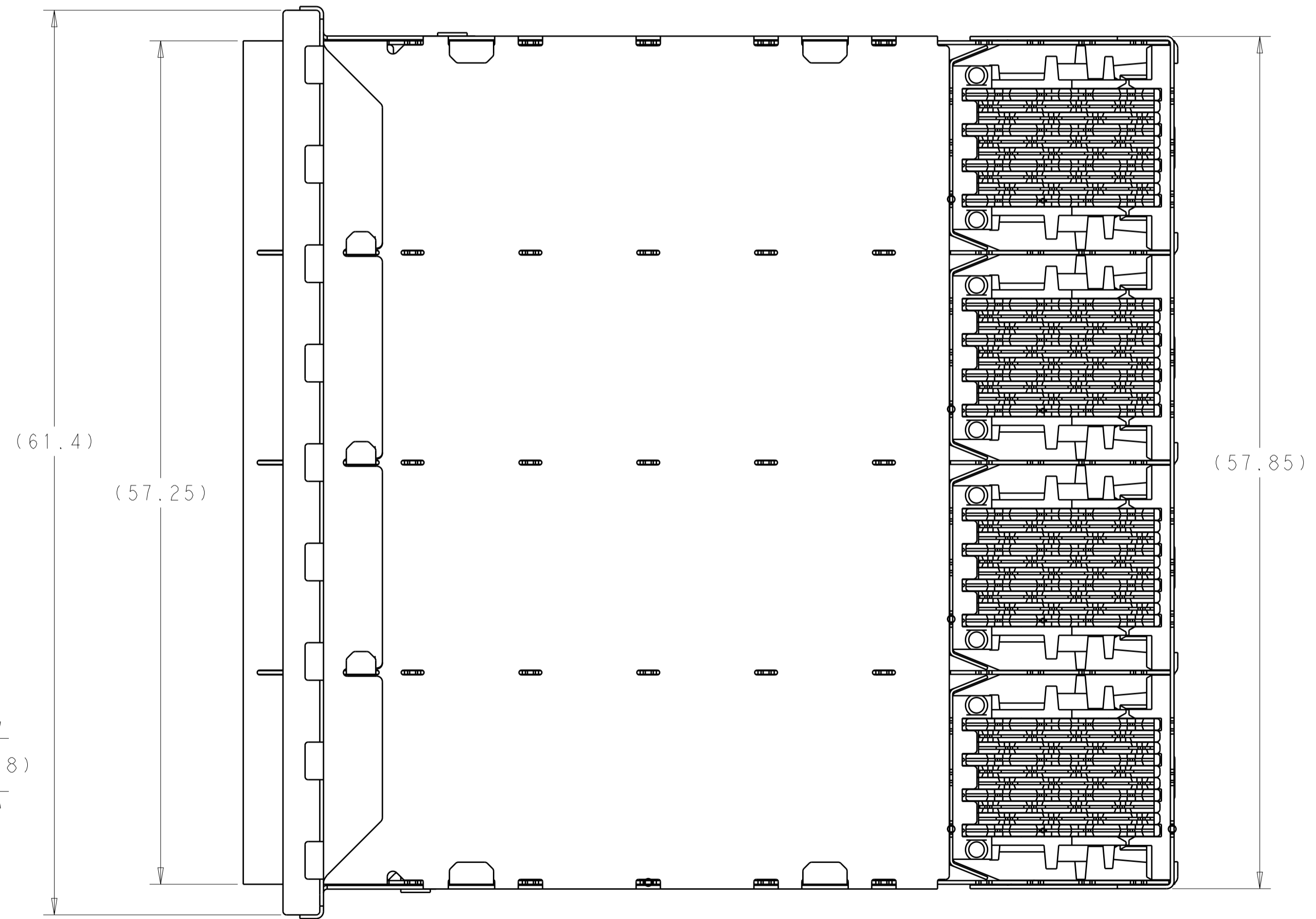
LOC		DIST		REVISIONS			
GP	00	P	LTH	DESCRIPTION	DATE	DWN	APVD
		-		SEE SHEET 1			



DETAIL A  
 4X INDIVIDUALLY  
 SCALE 10:1



DETAIL G  
 SCALE 8:1

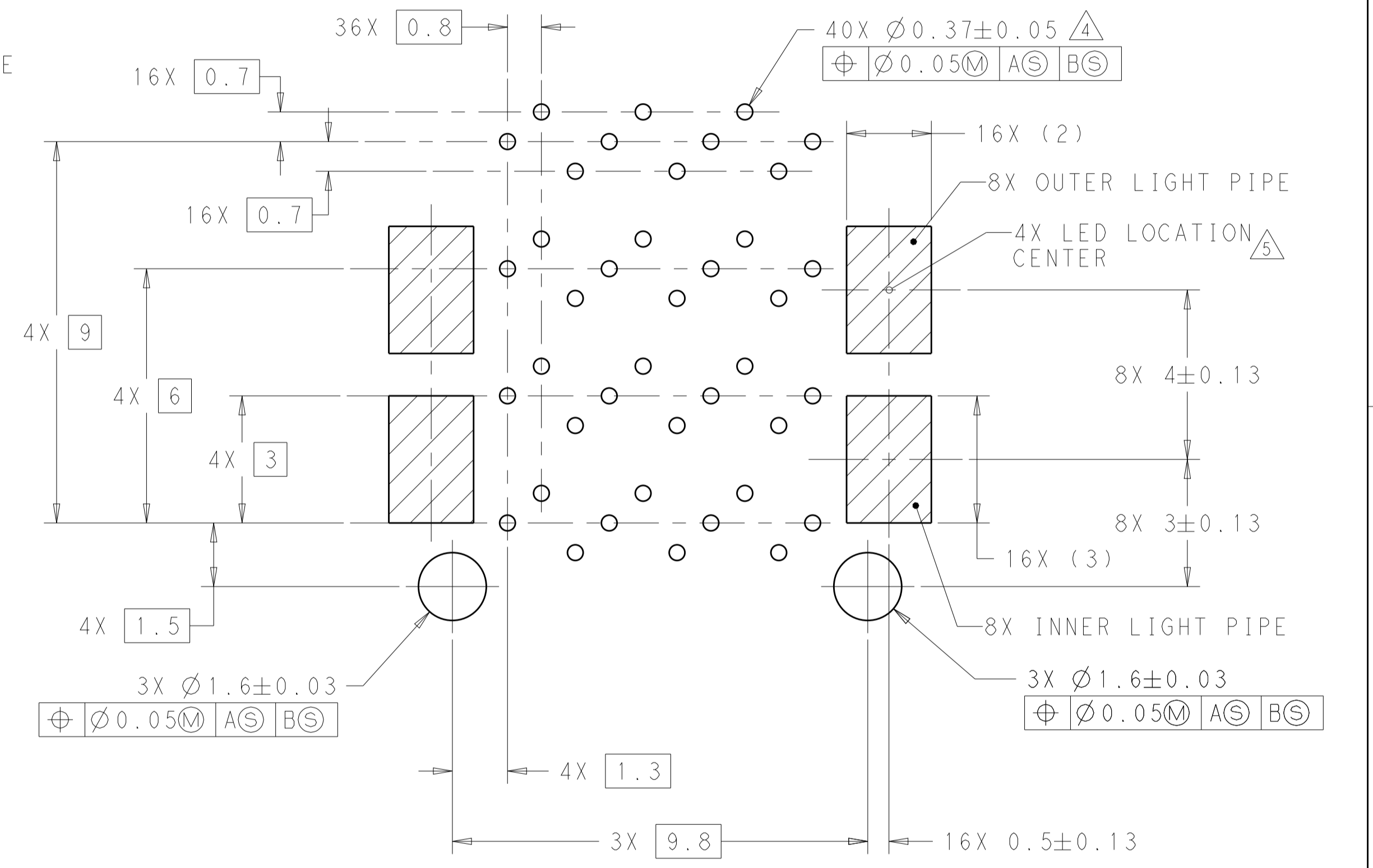
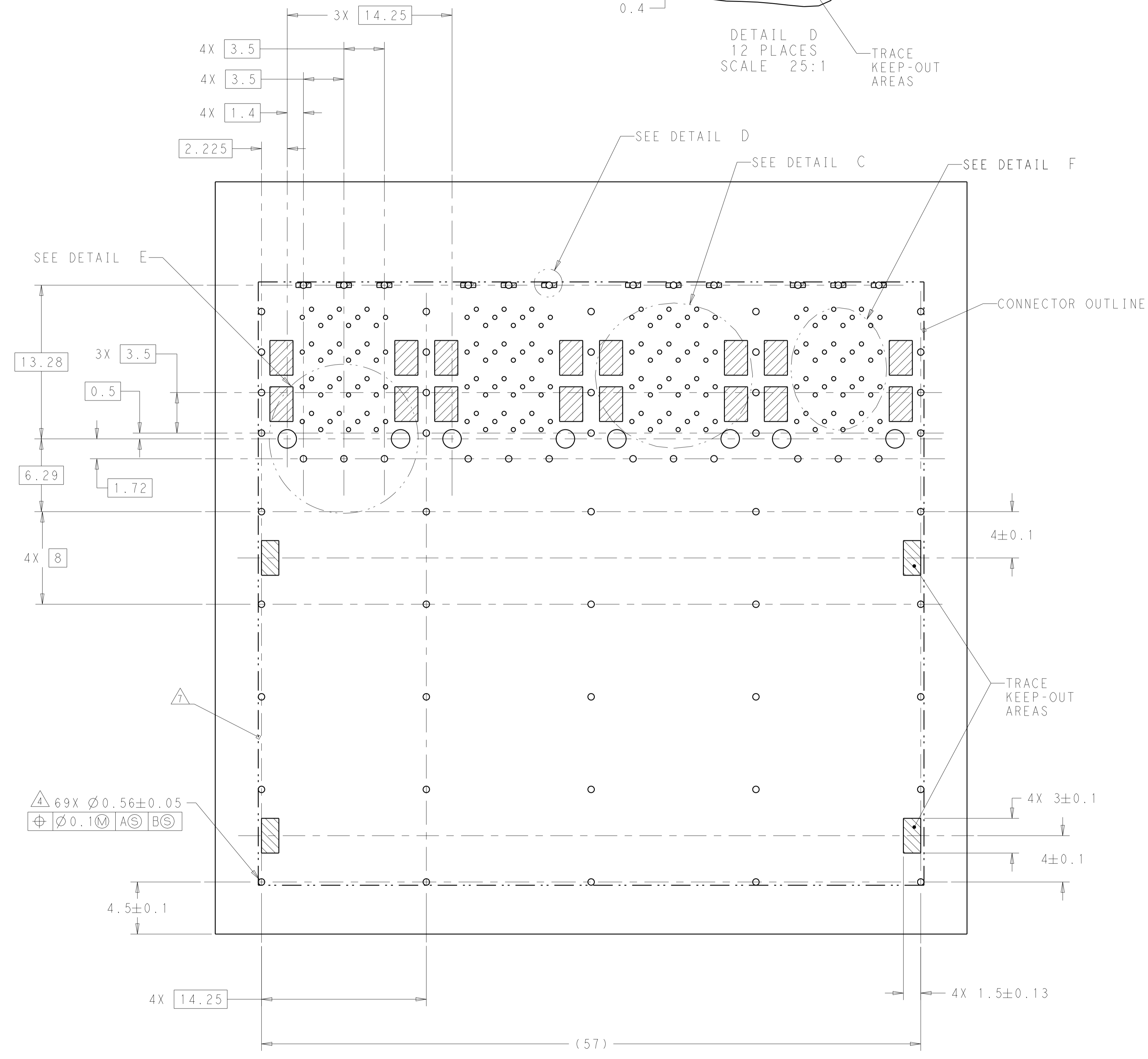
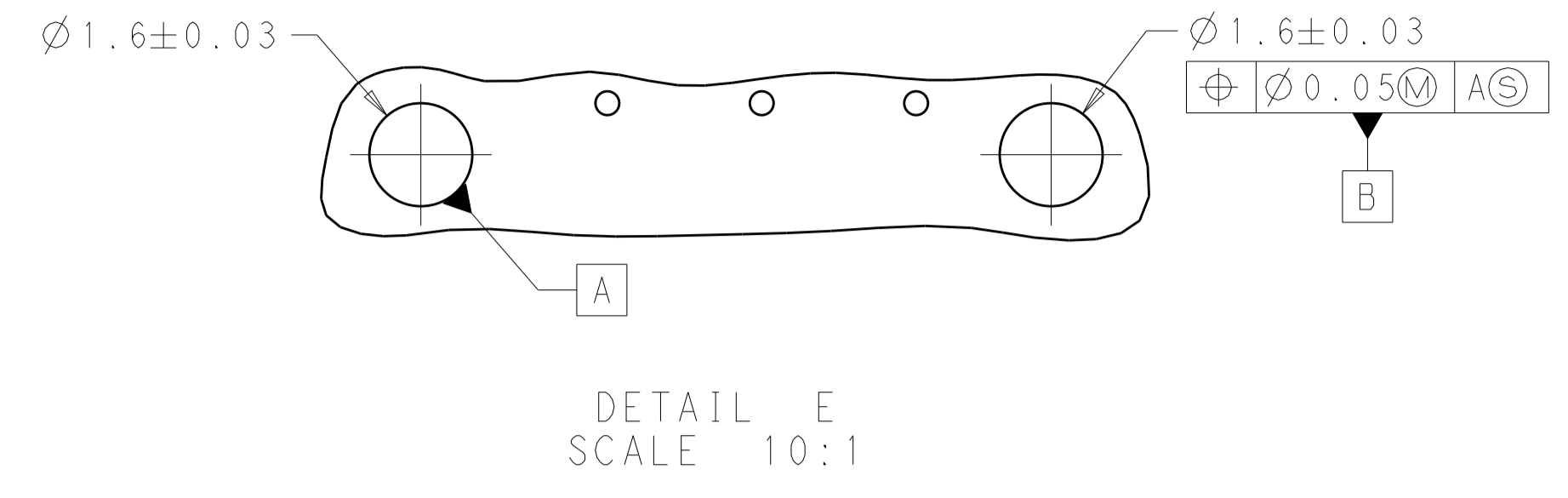
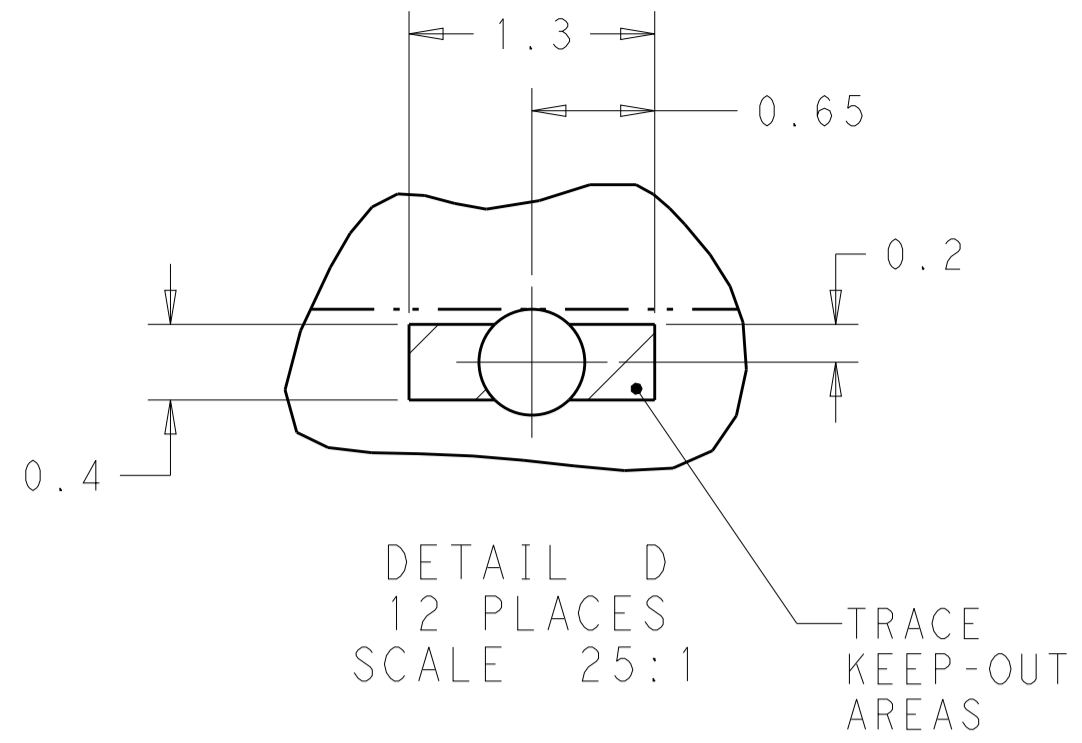


THIS DRAWING IS A CONTROLLED DOCUMENT.

DIMENSIONS:	TOLERANCES UNLESS OTHERWISE SPECIFIED:	DWN: M.E. CONNER 14SEP2011	CHK: M.D. MORRISON 16SEP2011	APVD: M.D. MORRISON 25OCT2011	NAME: RECEPTACLE ASSEMBLY, 2X4, STACKED, zSFP+
mm	0 PLC ±0.13 1 PLC ±0.13 2 PLC ±0.13 3 PLC ±0.13 4 PLC ±0.13	PRODUCT SPEC: 108-2481	APPLICATION SPEC: 114-13319	WEIGHT: -	SIZE: A1
MATERIAL: SEE NOTES	FINISH: SEE NOTES	CAGE CODE: 2180324	DRAWING NO: 2180324	CUSTOMER DRAWING	RESTRICTED TO: -

SCALE 2:1 SHEET 5 OF 7 REV C1

LOC	DIST	REV	DATE	BY	APPV
GP	00				
REVISIONS					
DESCRIPTION			DATE	BY	APPV
SEE SHEET 1					



THIS DRAWING IS A CONTROLLED DOCUMENT.		OWN: M.E. CONNER 14SEP2011	TE Connectivity
DIMENSIONS: mm		CHK: M.D. MORRISON 16SEP2011	
TOLERANCES UNLESS OTHERWISE SPECIFIED:		APV: M.D. MORRISON 25OCT2011	NAME: RECEPTACLE ASSEMBLY, 2X4, STACKED, zSFP+
0 PLC ±0.13		PRODUCT SPEC: 108-2481	
1 PLC ±0.13		APPLICATION SPEC: 114-13319	SIZE: A1 CAGE CODE: 2180324 DRAWING NO: 100779 SCALE: 2:1 SHEET: 6 OF 7 REV: C1
2 PLC ±0.13		WEIGHT: -	
3 PLC ±0.13		CUSTOMER DRAWING	
4 PLC ±0.13			
ANGLES ±0.13			
MATERIAL: SEE NOTES			
FINISH: SEE NOTES			

LOC	DIST	REV	DATE	BY	APPV
GP	00				

REVISIONS			
REV	DATE	BY	APPV
-	-	-	-
SEE SHEET 1			

T19 ○ T16 ○ T13 ○  
 T20 ○ T17 ○ T14 ○ T11 ○  
 T18 ○ T15 ○ T12 ○

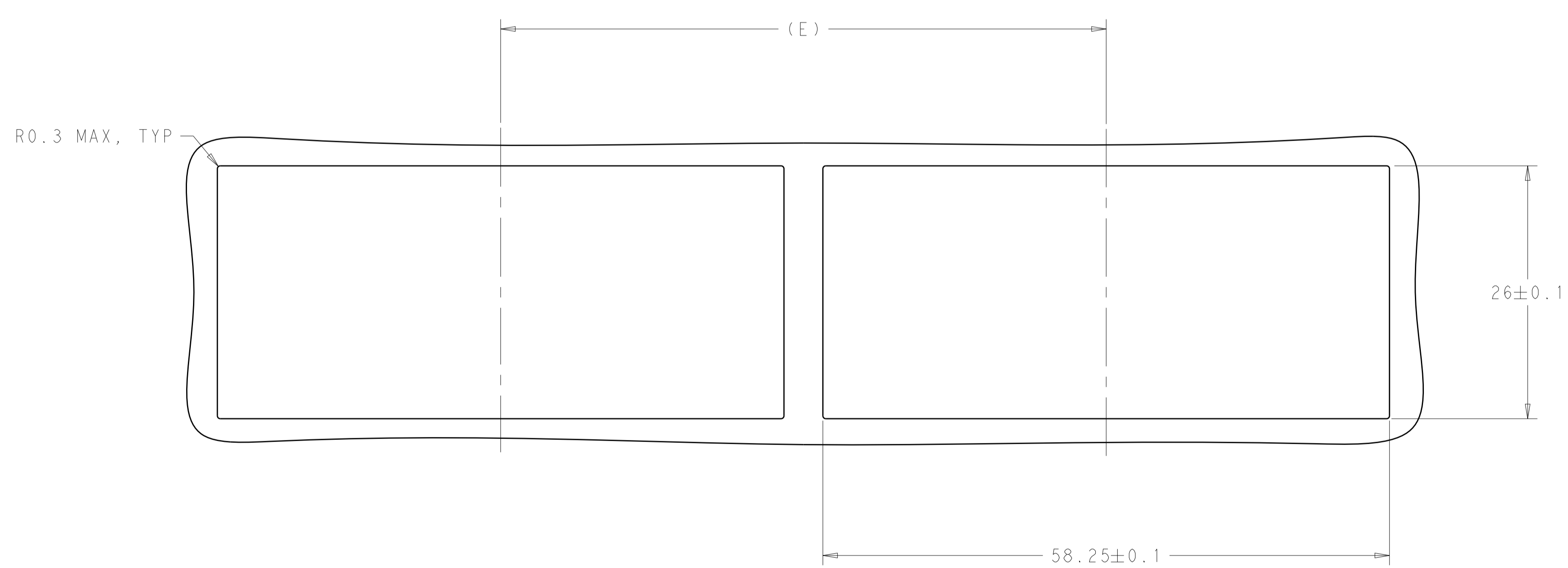
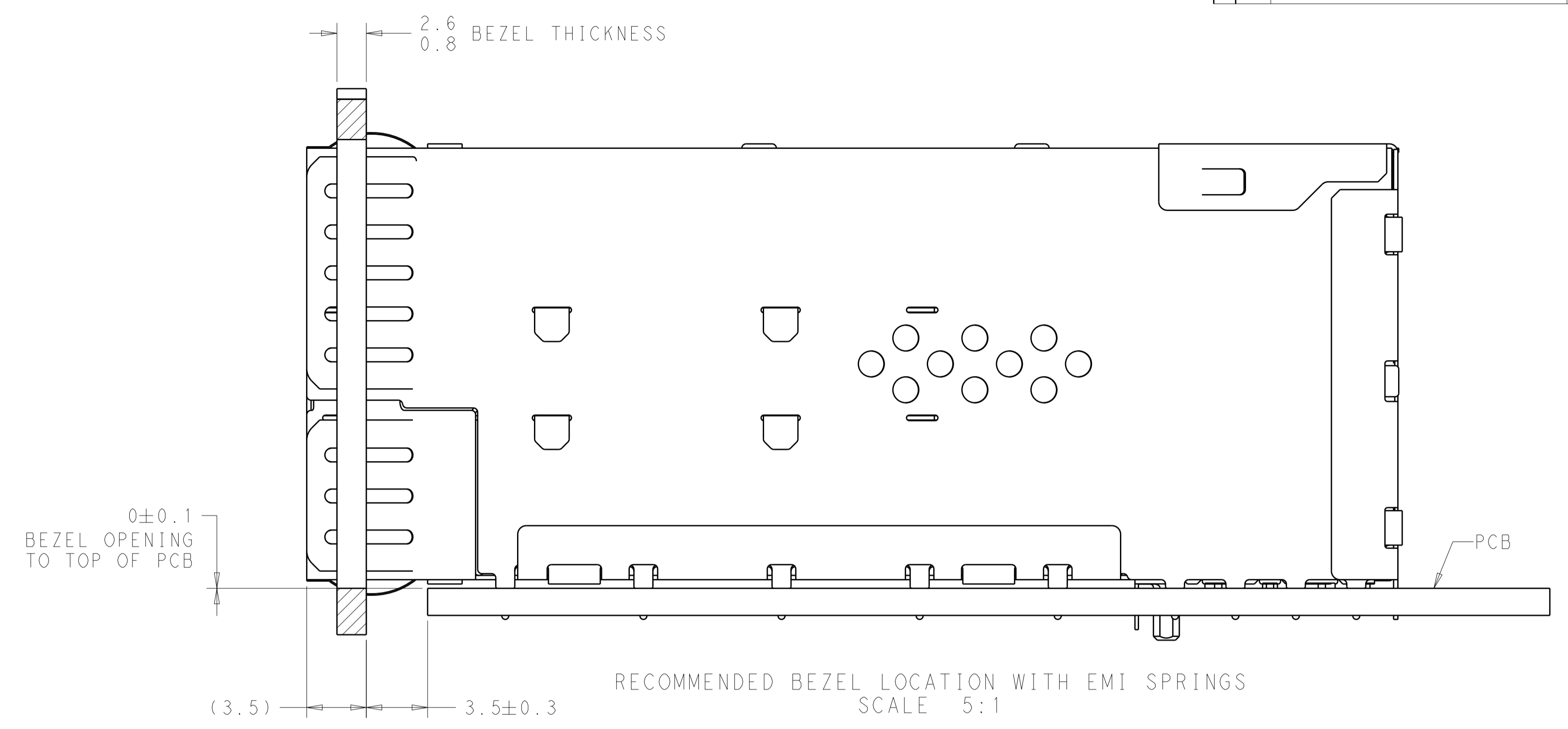
T2 ○ T5 ○ T8 ○  
 T1 ○ T4 ○ T7 ○ T10 ○  
 T3 ○ T6 ○ T9 ○

L9 ○ L6 ○ L3 ○  
 L10 ○ L7 ○ L4 ○ L1 ○  
 L8 ○ L5 ○ L2 ○

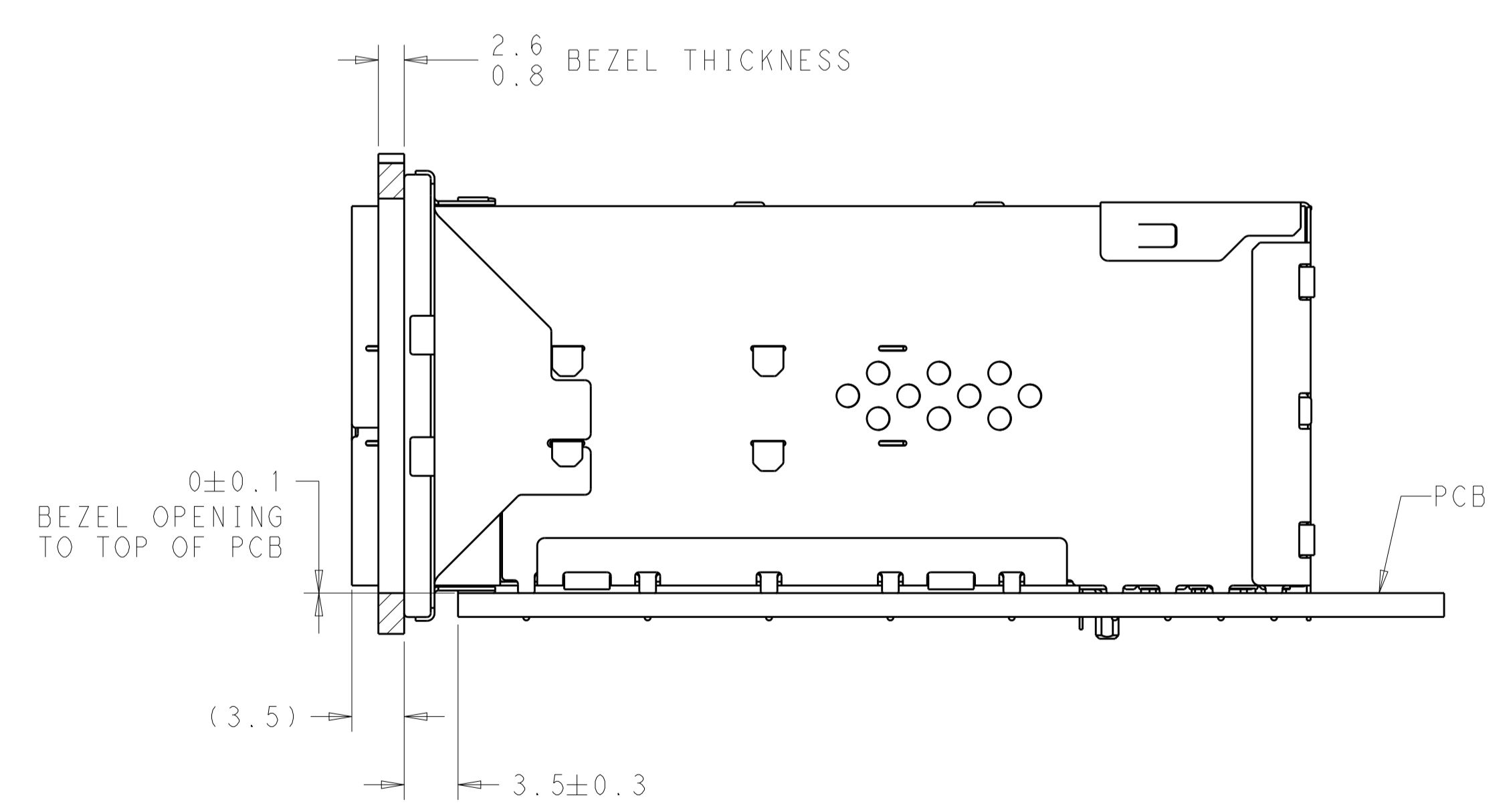
L12 ○ L15 ○ L18 ○  
 L11 ○ L14 ○ L17 ○ L20 ○  
 L13 ○ L16 ○ L19 ○

PIN MAP LEGEND	
PIN NUMBER	FUNCTION
L1/T1	VEET
L2/T2	TX-FAULT
L3/T3	TX-DISABLE
L4/T4	SDA
L5/T5	SCL
L6/T6	MOD_ABS
L7/T7	RS0
L8/T8	RX_LOS
L9/T9	RS1
L10/T10	VEER
L11/T11	VEER
L12/T12	RD-
L13/T13	RD+
L14/T14	VEER
L15/T15	VCCR
L16/T16	VCCT
L17/T17	VEET
L18/T18	TD+
L19/T19	TD-
L20/T20	VEET

DETAIL F  
 PIN MAP  
 4 PLACES  
 SCALE 15:1



RECOMMENDED BEZEL CUT-OUT DETAIL  
 SCALE 3:1



RECOMMENDED BEZEL LOCATION WITH EMI GASKET  
 SCALE 3:1

THIS DRAWING IS A CONTROLLED DOCUMENT.		OWN: M.E. CONNER 14SEP2011	TE Connectivity
DIMENSIONS: mm		CHK: M.D. MORRISON 16SEP2011	
TOLERANCES UNLESS OTHERWISE SPECIFIED:		APVD: M.D. MORRISON 25OCT2011	NAME: RECEPTACLE ASSEMBLY, 2X4, STACKED, zSFP+
0 PLC	±0.13	PRODUCT SPEC	SIZE: CAGE CODE DRAWING NO
2 PLC	±0.13	108-2481	RESTRICTED TO
3 PLC	±0.13	APPLICATION SPEC	A100779C=2180324
4 PLC	±0.13	114-13319	SCALE 2:1 SHEET 7 OF 7 REV C1
ANGLES	±0.13	WEIGHT	
MATERIAL: SEE NOTES	FINISH: SEE NOTES	CUSTOMER DRAWING	

## X-ON Electronics

Largest Supplier of Electrical and Electronic Components

*Click to view similar products for [I/O Connectors](#) category:*

*Click to view products by [TE Connectivity](#) manufacturer:*

Other Similar products are found below :

[571763P](#) [72.250.1628.2](#) [72.250.2428.2](#) [74720-0505](#) [76.350.0729.0](#) [76871-1403](#) [FCN-244F080-G/1](#) [FCN-260A9920](#) [MP-5T180MUNNA-005](#)  
[PCR-E36PM](#) [PCS-XE26MA+](#) [G38A71314B](#) [1571250010](#) [157-22500-3](#) [MS3471L14-19P L/C](#) [91-569786-35H](#) [172501-4002](#) [172501-6002](#)  
[FCN-260C008-A/L0](#) [FCN-260C024-AL0](#) [FCN-261Z008](#) [2000314-1](#) [200331-1](#) [PCR-E36FC+](#) [PCS-E28FS+](#) [PCS-XE26SLFD+](#) [PCS-](#)  
[XE26SLFDT+](#) [G730VID08BDC24](#) [U90B2054081210](#) [UE86K842720321](#) [38113800006](#) [DP3AR020WQ1R200](#) [Z4.102.0680.0](#) [500-1040](#)  
[500-1052](#) [500-1054](#) [ZP-4008-66L](#) [0709821002](#) [10-565995-597N](#) [DX40-20P\(55\)](#) [5554841-1](#) [U90B3054061110](#) [U65-E04-4020](#)  
[ZPF00000000097891](#) [557-262M2-06C](#) [747360449](#) [10099439-003C-TRLF](#) [10137239-0021LF](#) [E9320-001-01](#) [10137239-0011LF](#)