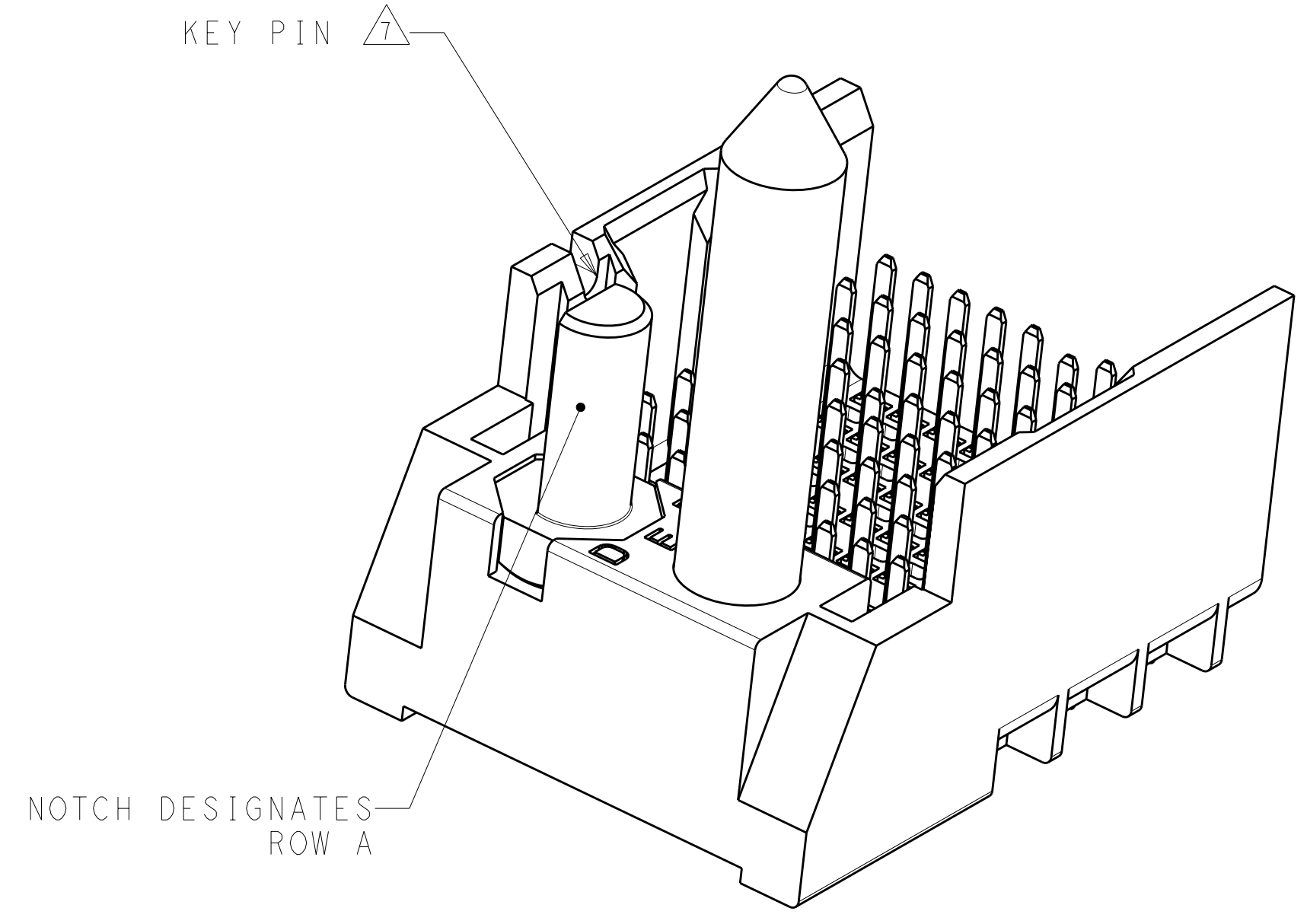
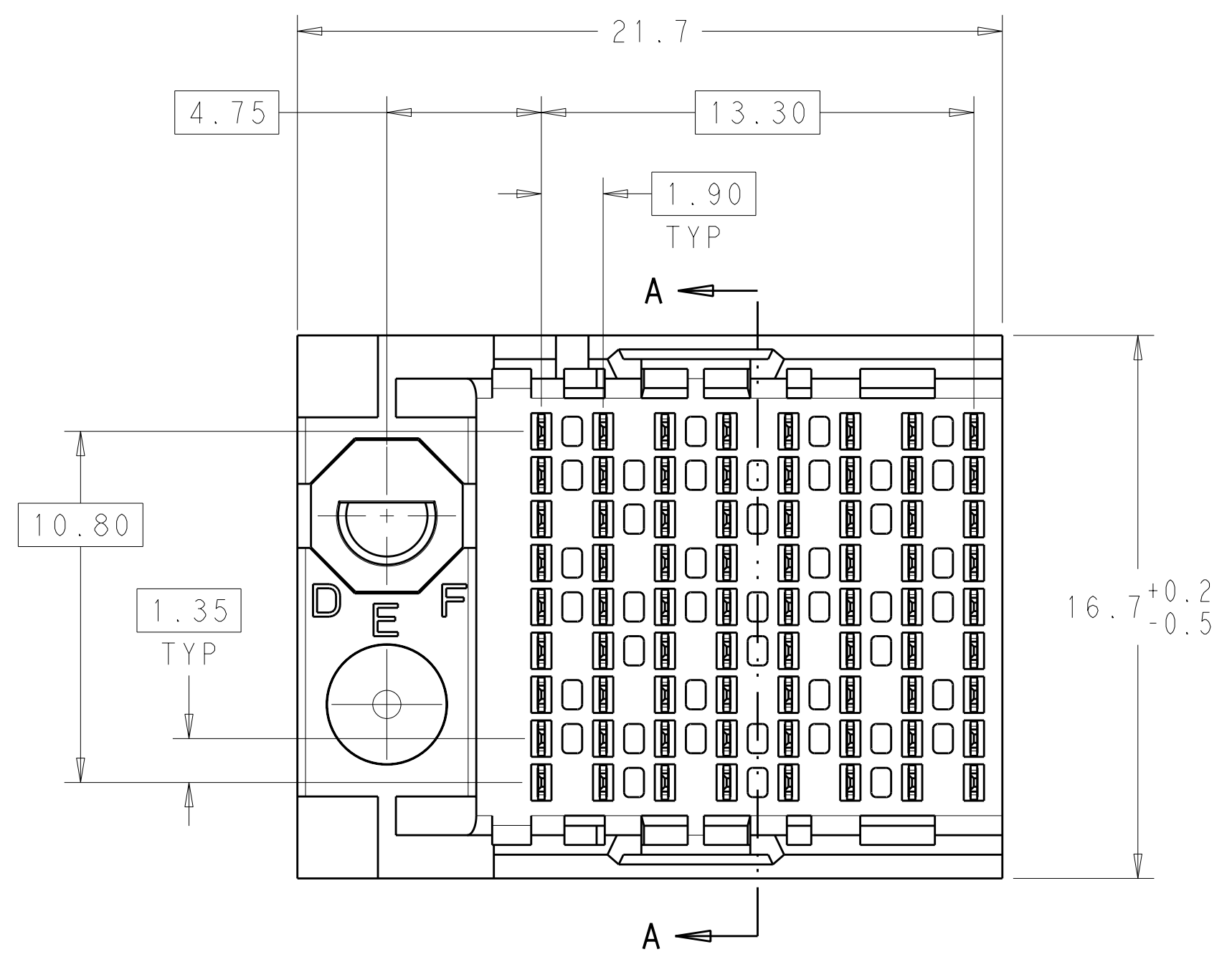
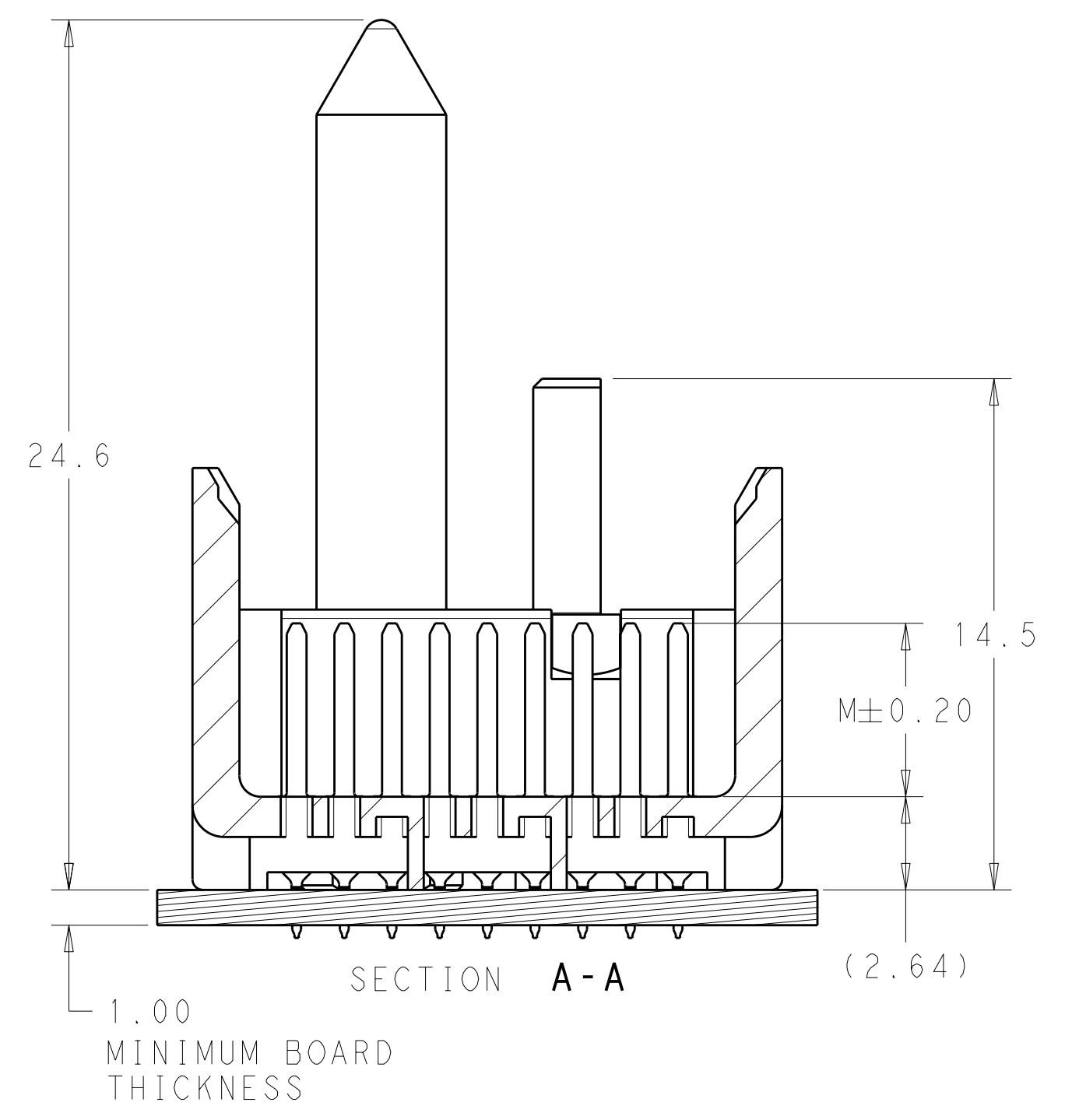
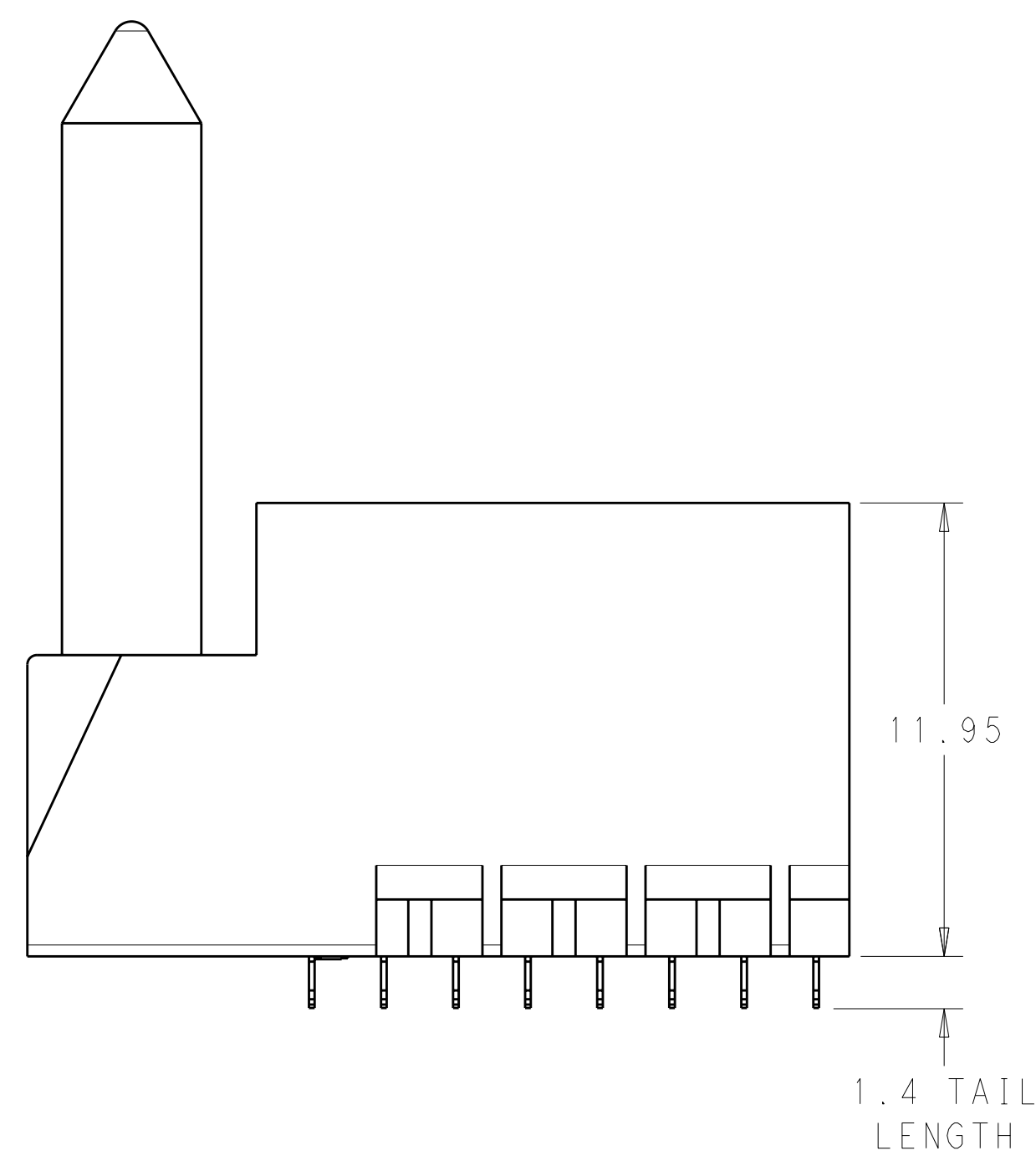
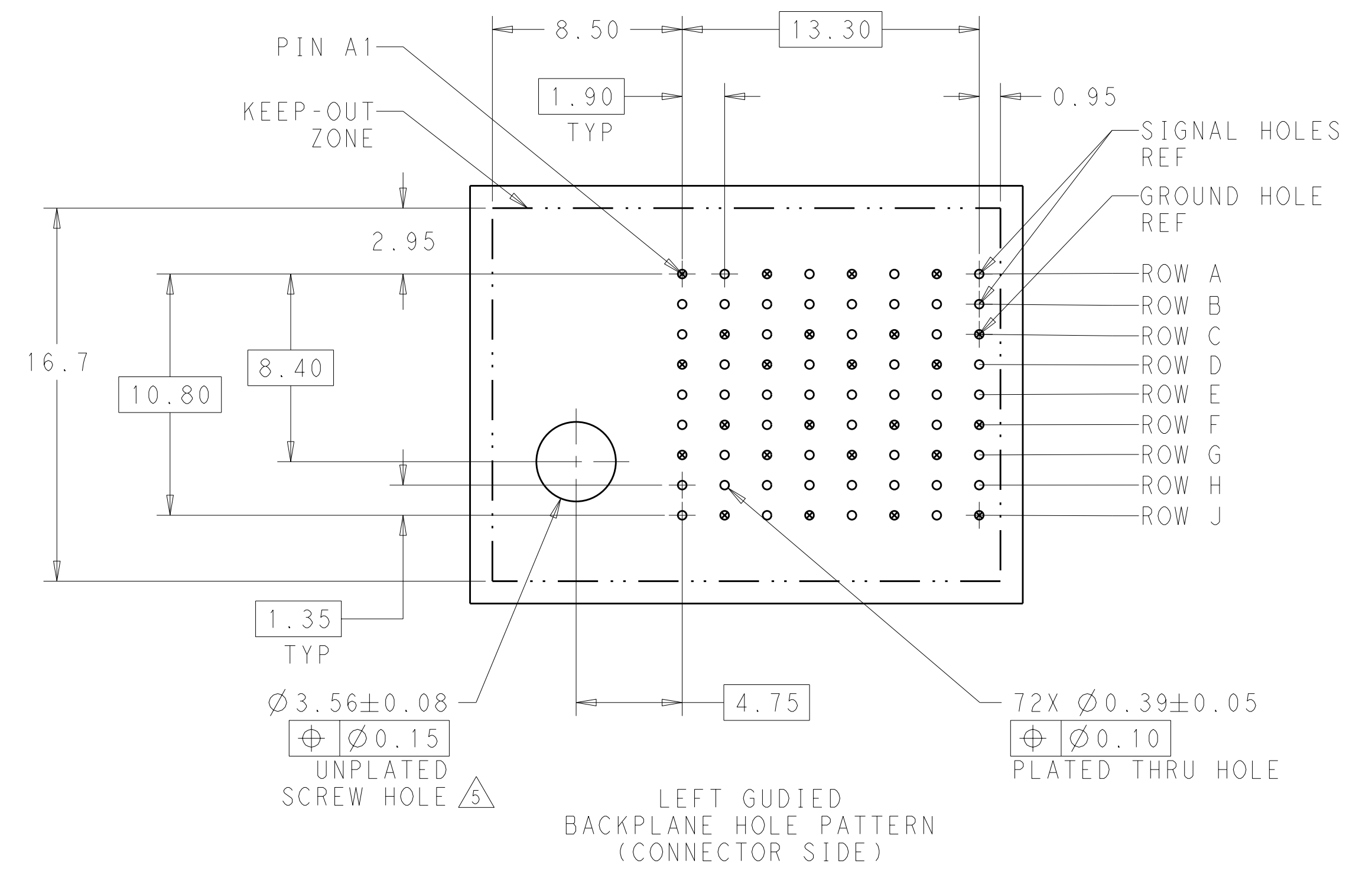


LOC	DIST	REV	DATE	BY	APPD
AD	00	A	21 JUL 2011	RG	JE



- 1 MATERIAL:  
HOUSING: LCP, GLASS FILLED, UL94V-0.  
TERMINALS: HIGH PERFORMANCE COPPER ALLOY.
  - 2 FINISH:  
30µ" MIN GOLD IN CONTACT AREA. SELECTIVE TIN ON PCB TAILS, NICKEL OVERALL.
  - 3 FINISH:  
30µ" MIN GOLD IN CONTACT AREA. SELECTIVE TIN-LEAD ON PCB TAILS, NICKEL OVERALL.
  - 4. SCREWS PACKAGED IN END OF PACKAGING TUBE.
  - 5 FOR GROUNDED GUIDE PIN USE  $\varnothing 3.56 \pm 0.08$  PTH,  $\varnothing 3.66$  DRILL, AND  $\varnothing 6.5$  PAD.
  - 6. KEYING PIN SHOWN IN POSITION A. SEE KEYING CHART ON SHEET 2 FOR OTHER POSITIONS.
- OPTIONAL DEPENDING ON PART NUMBER.



THIS DRAWING IS A CONTROLLED DOCUMENT.		DWN J. K. SHOBER 22MAR2011		TE Connectivity	
DIMENSIONS: mm		CHK J. EARY 22MAR2011			
TOLERANCES UNLESS OTHERWISE SPECIFIED:		APVD J. EARY 22MAR2011		NAME IMPACT, 3 PAIR, 8 COLUMN, HEADER	
9 PLC ±		PRODUCT SPEC		LEFT GUIDED, OPEN END WALL, SELECT LD	
1 PLC ±0.25		APPLICATION SPEC		SIGNAL MODULE, 0.39 PTH	
2 PLC ±0.13		SIZE CAGE CODE DRAWING NO		RESTRICTED TO	
3 PLC ±		WEIGHT		A1100779C=2180383	
4 PLC ±		CUSTOMER DRAWING		SCALE 6:1 SHEET 1 OF 2 REV A	
ANGLES ±					
FINISH SEE TABLE					

LOC	DIST	REV	DATE	BY	APVD
AD	00	-	-	-	-
DESCRIPTION			DATE	DWN	APVD
SEE SHEET 1			-	-	-

2180383-1								
PART NUMBER								
CONTACT LAYOUT								
A = 4.5mm (DIM M)								
B = 4.9mm (DIM M)								
C = 5.5mm (DIM M)								
COLUMNS								
	1	2	3	4	5	6	7	8
A	B	B	B	B	B	B	B	B
B	B	B	B	B	B	B	B	B
C	B	B	B	B	B	B	B	B
D	B	B	B	A	B	B	B	B
E	B	B	B	B	B	B	B	B
F	A	B	B	B	B	B	B	B
G	B	B	B	B	B	B	B	B
H	B	B	B	B	B	B	B	B
J	B	B	B	B	B	B	B	B

### KEY POSITION CHART

NONE

A

E

B

F

C

G

D

H

REFER TO WWW.TE.COM  
FOR PRODUCT AVAILABILITY

THIS DRAWING IS A CONTROLLED DOCUMENT.		DWN: J. K. SHOBER 22MAR2011	TE Connectivity
DIMENSIONS: mm		CHK: J. EARY 22MAR2011	
TOLERANCES UNLESS OTHERWISE SPECIFIED:		APVD: J. EARY 22MAR2011	NAME: IMPACT, 3 PAIR, 8 COLUMN, HEADER LFT GUIDED, OPEN END WALL, SELECT LD SIGNAL MODULE, 0.39 PTH
9 PLC ±	2 PLC ±0.25	PRODUCT SPEC	
5 PLC ±0.13	4 PLC ±	APPLICATION SPEC	SIZE: CAGE CODE DRAWING NO: A100779C-2180383
ANGLES ±	FINISH ±	WEIGHT	
MATERIAL: - SEE TABLE		CUSTOMER DRAWING	
SCALE: 5:1		SHEET: 2 OF 2	REV: A

## X-ON Electronics

Largest Supplier of Electrical and Electronic Components

*Click to view similar products for [High Speed/Modular Connectors](#) category:*

*Click to view products by [TE Connectivity](#) manufacturer:*

Other Similar products are found below :

[650827-1](#) [74040-1346](#) [1410191-1](#) [1410337-1](#) [1410368-3](#) [1410367-3](#) [1410971-4](#) [1467833-1](#) [2000877-1](#) [2000878-1](#) [2041314-1](#) [2065387-1](#)  
[2187307-1](#) [163P](#) [1934290-1](#) [2000875-1](#) [2065799-1](#) [2065917-1](#) [2102736-2](#) [FSR-40](#) [2169868-2](#) [22354-8](#) [437-5040-000](#) [039-0246-000](#)  
[0740618502](#) [0761601016](#) [73774-1000](#) [030-2415-003/100 PK](#) [030-7380-004](#) [030-2494-001](#) [532939-1](#) [5532901-3](#) [3-1469268-7](#) [UMK-SE](#)  
[11,25-1](#) [74748-102LF](#) [10041743-101LF](#) [10066670-100002LF](#) [1-533915-1](#) [249-4515-000](#) [7-1469373-3](#) [DL2-2J/S](#) [2000713-8](#) [2000713-7](#)  
[10124313-101LF](#) [1410189-2](#) [3011-21](#) [EBTF-4-10-2.0-S-RA-1](#) [430305-001](#) [4395800100](#) [8140115](#)