

4

3

2

1

THIS DRAWING IS UNPUBLISHED.

RELEASED FOR PUBLICATION

20

© COPYRIGHT 20

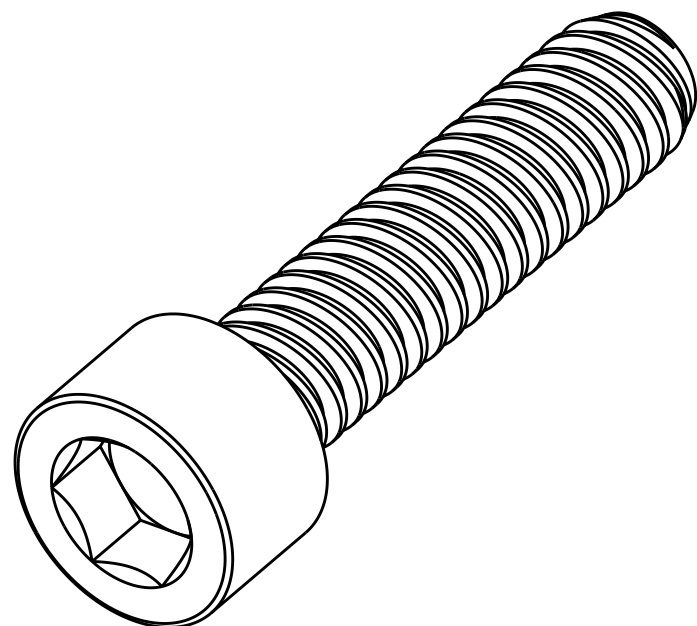
BY -

ALL RIGHTS RESERVED.

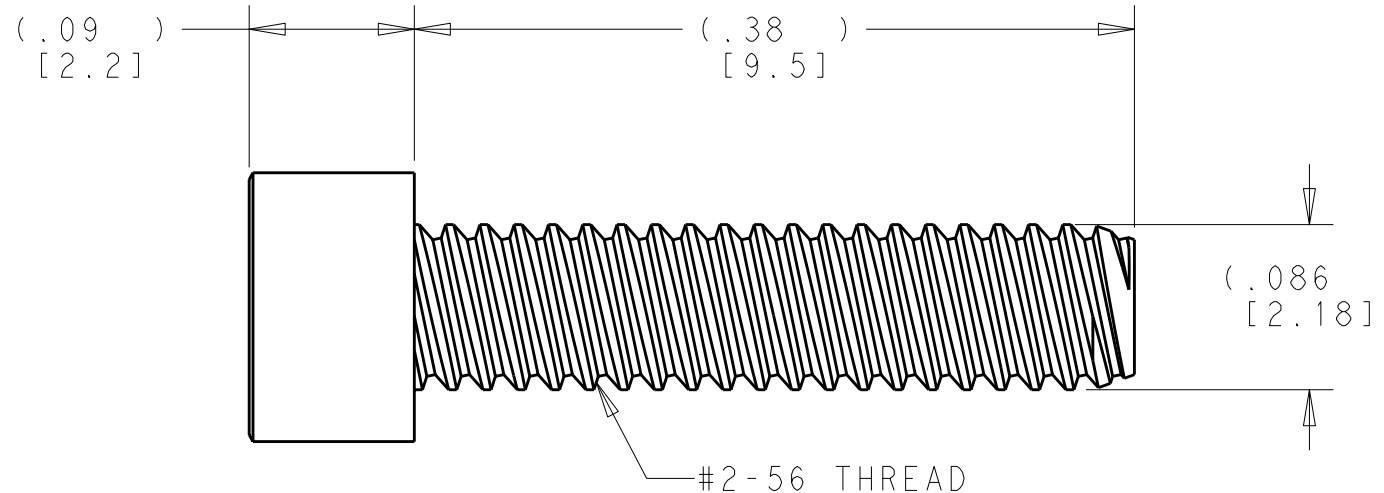
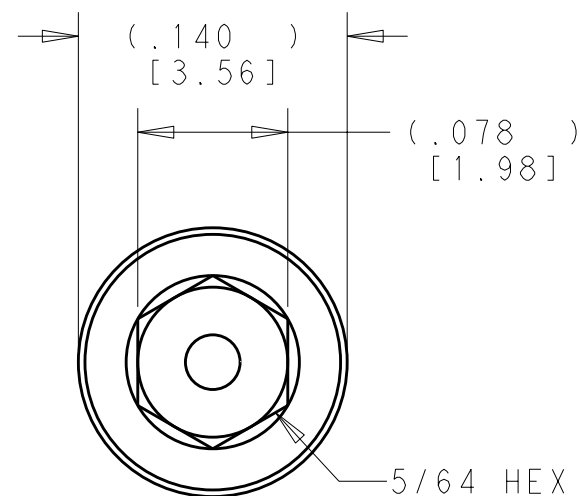
LOC GP DIST 00

REVISIONS

P	LTR	DESCRIPTION	DATE	DWN	APVD
	A	RELEASED PER ECO-12-006362	15MAY2012	CJV	MRS



1 MATERIAL:
 SOCKET HEAD CAP SCREW: 300 SERIES STAINLESS STEEL



2180467-1

PART NUMBER

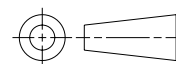
THIS DRAWING IS A CONTROLLED DOCUMENT.

DWN B. MATTHEWS 22MAR2011
 CHK M. SCHMITT 22MAR2011
 APVD M. SCHMITT 22MAR2011

STE TE Connectivity

DIMENSIONS:
INCHES [mm]

TOLERANCES UNLESS OTHERWISE SPECIFIED:



0 PLC ±-
 1 PLC ±.1
 2 PLC ±.01
 3 PLC ±.001
 4 PLC ±.0001
 ANGLES ±-

PRODUCT SPEC 108-2399
 APPLICATION SPEC 114-13263
 WEIGHT -

NAME 2-56 UNC x .375 LONG SOCKET HEAD CAP SCREW, STAINLESS STEEL CFP EXTERNAL BRACKET

SIZE A3 CAGE CODE 00779 DRAWING NO C-2180467 RESTRICTED TO -

MATERIAL

FINISH -



CUSTOMER DRAWING

SCALE 10:1 SHEET 1 OF 1 REV A

X-ON Electronics

Largest Supplier of Electrical and Electronic Components

Click to view similar products for [Screws & Fasteners](#) category:

Click to view products by [TE Connectivity](#) manufacturer:

Other Similar products are found below :

[5721-1440-1/4-SS](#) [593503FX](#) [0098.0094](#) [0098.9206](#) [0098.9219](#) [0098.9262](#) [596-2114-013](#) [59781-6](#) [0098.0026](#) [0098.9210](#) [0098.9212](#) [60227-01](#) [60227-04](#) [60227-08](#) [60687-01](#) [LOCK WASHER Black](#) [618-00001](#) [62153-03](#) [62153-11](#) [M316-KSSTMCZ100](#) [M3440-SS](#) [M3442-SS](#) [M3448-SS](#) [6292-1](#) [6-306105-9](#) [6-306131-4](#) [690432-1](#) [699161-000](#) [7230-3](#) [7244](#) [7248-1](#) [7248-2](#) [73542-02](#) [CAPTIVE SHORT THUMBSCREW](#) [745564-1](#) [F1209](#) [751-00001](#) [7680](#) [809704-1](#) [8700](#) [8860220](#) [9047](#) [9521](#) [992326-6](#) [992763-3](#) [1-18024-0](#) [1-18028-2](#) [A168P1](#) [A495P1](#) [1-24921-1](#) [125416-1](#) [1260](#)