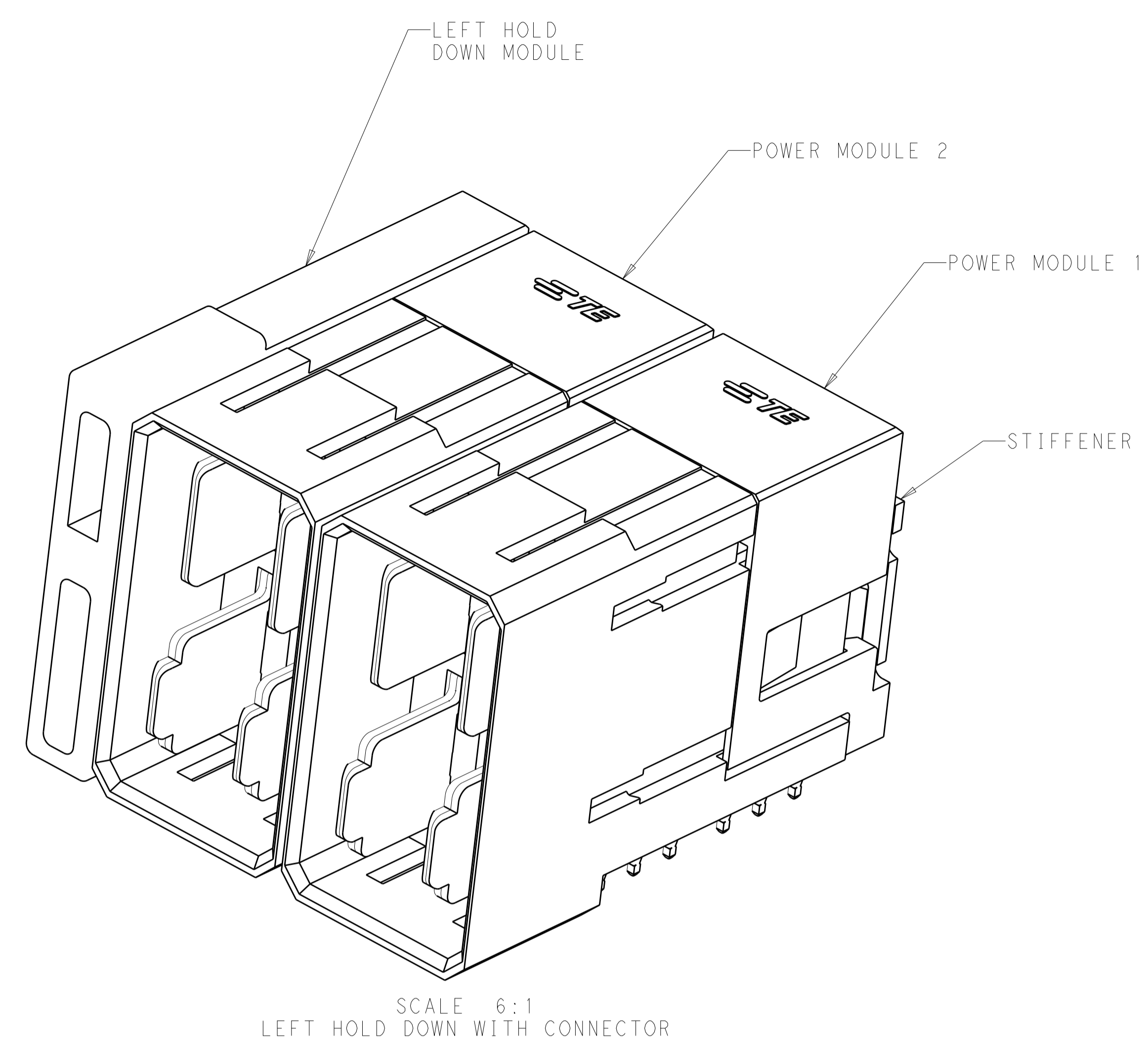


LOC		DIST		REVISIONS			
GP	00	P	LTN	DESCRIPTION	DATE	DWN	APVD
		A		INITIAL RELEASE	24MAY2012	LW	AC
		A1		REV PER ECR-12-010636	19JUN2012	LW	AC



- NOTES:
- 1. MATERIALS:  
 HOUSING: HIGH TEMP. THERMOPLASTIC GLASS/MINERAL FILLED UL94V-0  
 TERMINAL: COPPER ALLOY
  - 2. FINISH:  
 TIN OPTION-0.76um MIN GOLD AT CONTACT AREA AND  
 1.27um MIN NICKEL UNDERPLATED OVER ALL  
 2.54um TIN AT SOLDER TAIL AREA  
 TIN-LEAD OPTION-0.76um MIN GOLD AT CONTACT AREA AND  
 1.27um MIN NICKEL UNDERPLATED OVER ALL  
 2.54um TIN-LEAD AT SOLDER TAIL AREA
  - 3. REFER TO TE'S PRODUCT SPECIFICATION:108-2473 FOR PLATED THROUGH-HOLE SPECIFICATION AND TORQUE FORCE
  - 4. CONNECTOR WERE PACKED BY TRAY  
 REFER TO TE'S PACKAGING SPECIFICATION:107-97874
  - 5. MATED WITH 2169809-\*
  - 6. LASER MARK PART NUMBER AND DATE CODE (YYWWDS) CAN BE AT THE OPPOSITE SIDE
  - 7. ADD 11.40MM FOR EACH ADDITIONAL MODULE
  - 8. REFER TO DOCUMENT NUMBER:2169802 FOR INDIVIDUAL MODULE COMPONENT INFORMATION
  - 9. FIRST POWER MODULE(1#) STARTS FROM THE RIGHT
  - 10. DIMENSION P1&P2 FOR POWER MODULE 1, P3&P4 FOR POWER MODULE 2
  - 11. COMPONENT STAY AWAY ZONE FROM CONNECTOR
  - 12. ALL PARTS ARE SHIPPED WITH A 2-32 AB TYPE SELF-TAPPING SCREW P/N:2057509-2

STATUS	PACKAGING	PLATING TYP	P4	P3	P2	P1	DIM A	NUMBER OF POWER MODULE	PART NUMBER
OBSOLETE			6.90	5.70	6.90	5.70	26.40	2X	7-2180488-0
OBSOLETE			6.90	5.70	5.70	6.90	26.40	2X	6-2180488-9
OBSOLETE			6.90	5.70	5.70	5.70	26.40	2X	6-2180488-8
OBSOLETE			6.90	5.70	6.90	6.90	26.40	2X	6-2180488-7
OBSOLETE			5.70	6.90	6.90	5.70	26.40	2X	6-2180488-6
OBSOLETE			5.70	6.90	5.70	6.90	26.40	2X	6-2180488-5
OBSOLETE			5.70	6.90	5.70	5.70	26.40	2X	6-2180488-4
OBSOLETE			5.70	6.90	6.90	6.90	26.40	2X	6-2180488-3
OBSOLETE			5.70	5.70	6.90	5.70	26.40	2X	6-2180488-2
OBSOLETE			5.70	5.70	5.70	6.90	26.40	2X	6-2180488-1
OBSOLETE			5.70	5.70	5.70	5.70	26.40	2X	6-2180488-0
OBSOLETE			5.70	5.70	6.90	6.90	26.40	2X	5-2180488-9
OBSOLETE			6.90	6.90	6.90	5.70	26.40	2X	5-2180488-8
OBSOLETE			6.90	6.90	5.70	6.90	26.40	2X	5-2180488-7
OBSOLETE			6.90	6.90	6.90	6.90	26.40	2X	5-2180488-6
OBSOLETE			6.90	6.90	6.90	6.90	26.40	2X	5-2180488-5
OBSOLETE			N/A	N/A	6.90	5.70	15.00	1X	5-2180488-4
OBSOLETE			N/A	N/A	5.70	6.90	15.00	1X	5-2180488-3
OBSOLETE			N/A	N/A	5.70	5.70	15.00	1X	5-2180488-2
OBSOLETE			N/A	N/A	6.90	6.90	15.00	1X	5-2180488-1
ACTIVE			6.90	5.70	6.90	5.70	26.40	2X	2-2180488-0
ACTIVE			6.90	5.70	5.70	6.90	26.40	2X	1-2180488-9
ACTIVE			6.90	5.70	5.70	5.70	26.40	2X	1-2180488-8
ACTIVE			6.90	5.70	6.90	6.90	26.40	2X	1-2180488-7
ACTIVE			5.70	6.90	6.90	5.70	26.40	2X	1-2180488-6
ACTIVE			5.70	6.90	5.70	6.90	26.40	2X	1-2180488-5
ACTIVE			5.70	6.90	5.70	5.70	26.40	2X	1-2180488-4
ACTIVE			5.70	6.90	6.90	6.90	26.40	2X	1-2180488-3
ACTIVE			5.70	5.70	6.90	5.70	26.40	2X	1-2180488-2
ACTIVE			5.70	5.70	5.70	6.90	26.40	2X	1-2180488-1
ACTIVE			5.70	5.70	5.70	5.70	26.40	2X	1-2180488-0
ACTIVE			5.70	5.70	6.90	6.90	26.40	2X	2180488-9
ACTIVE			6.90	6.90	6.90	5.70	26.40	2X	2180488-8
ACTIVE			6.90	6.90	5.70	6.90	26.40	2X	2180488-7
ACTIVE			6.90	6.90	5.70	5.70	26.40	2X	2180488-6
ACTIVE			6.90	6.90	6.90	6.90	26.40	2X	2180488-5
ACTIVE			N/A	N/A	6.90	5.70	15.00	1X	2180488-4
ACTIVE			N/A	N/A	5.70	6.90	15.00	1X	2180488-3
ACTIVE			N/A	N/A	5.70	5.70	15.00	1X	2180488-2
ACTIVE			N/A	N/A	6.90	6.90	15.00	1X	2180488-1

THIS DRAWING IS A CONTROLLED DOCUMENT. DWN: LERRY WANG 06MAR2012  
 CHK: SUNY ZHAO 06MAR2012  
 APVD: SUNY ZHAO 06MAR2012

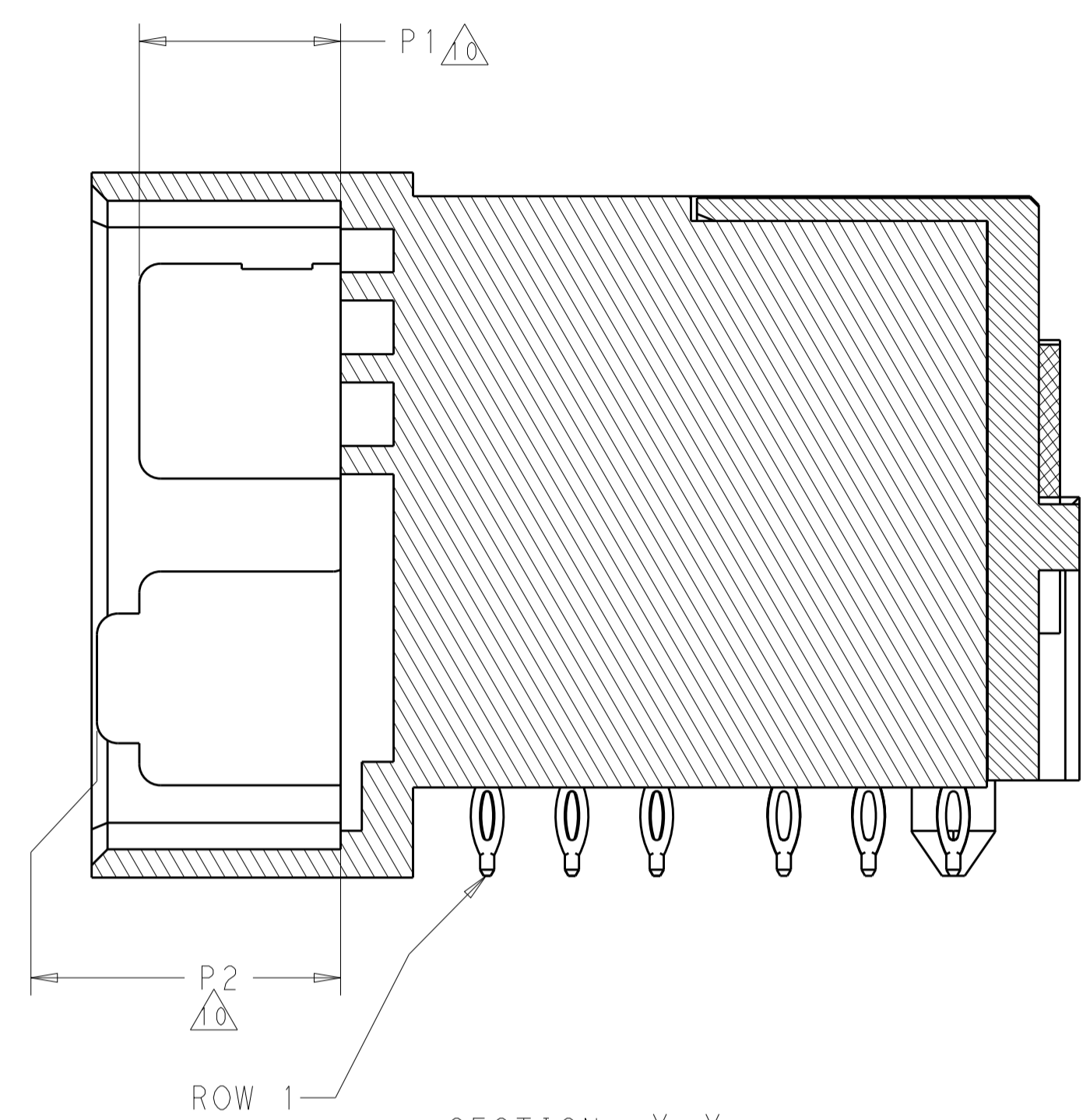
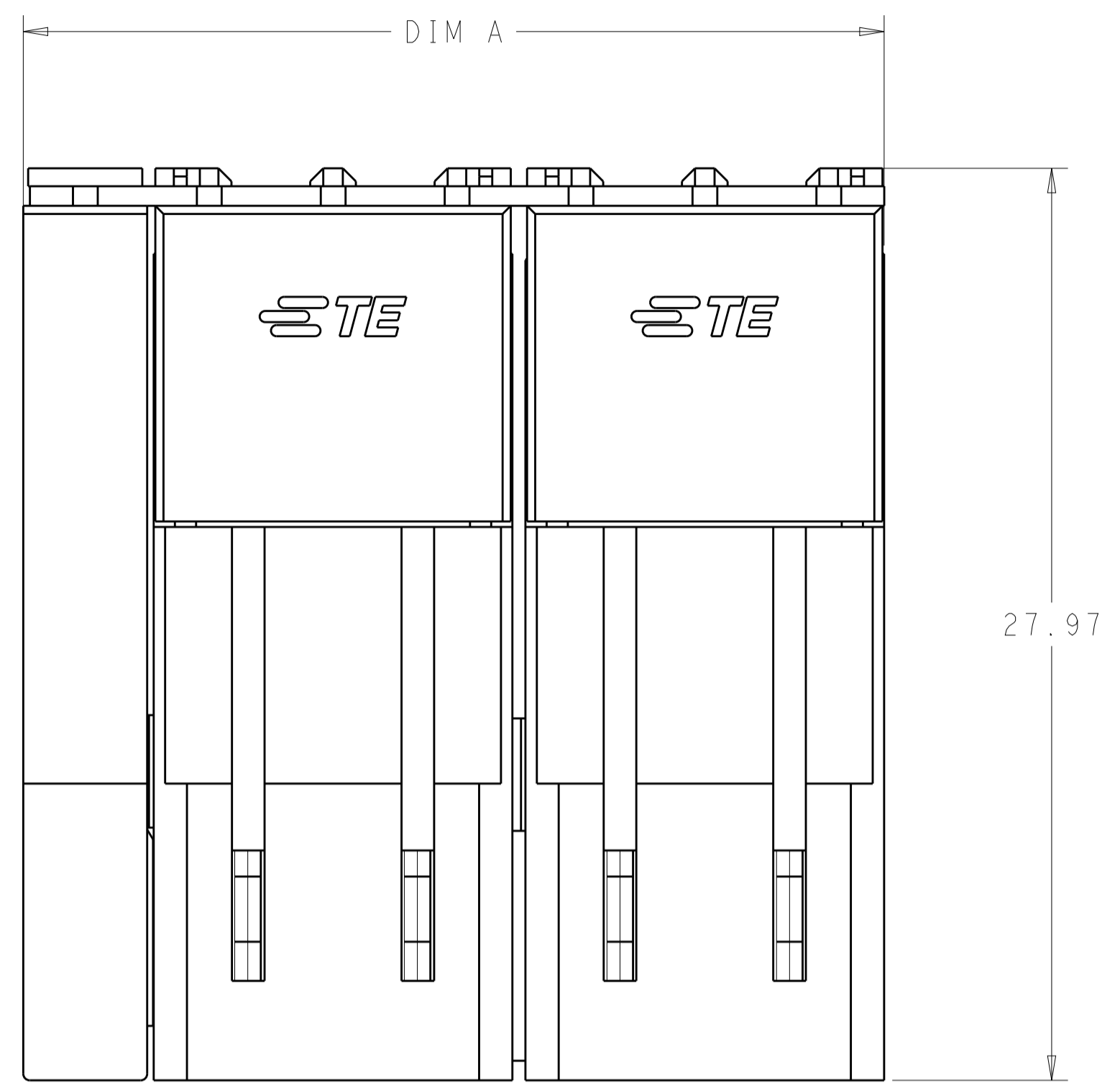
TE Connectivity

IMPACT POWER 4PAIR HEADER WITH LEFT HOLD DOWN PRESS FIT

114-32028 100779 2180488

SCALE 4:1 SHEET 1 OF 3 REV A1

LOC	DIST	REVISIONS			
P	LTN	DESCRIPTION	DATE	DMN	APVD
-	-	SEE SHEET 1	-	-	-



SECTION X-X  
 BLADE LOCATION P1 & P2  
 SCALE 6:1

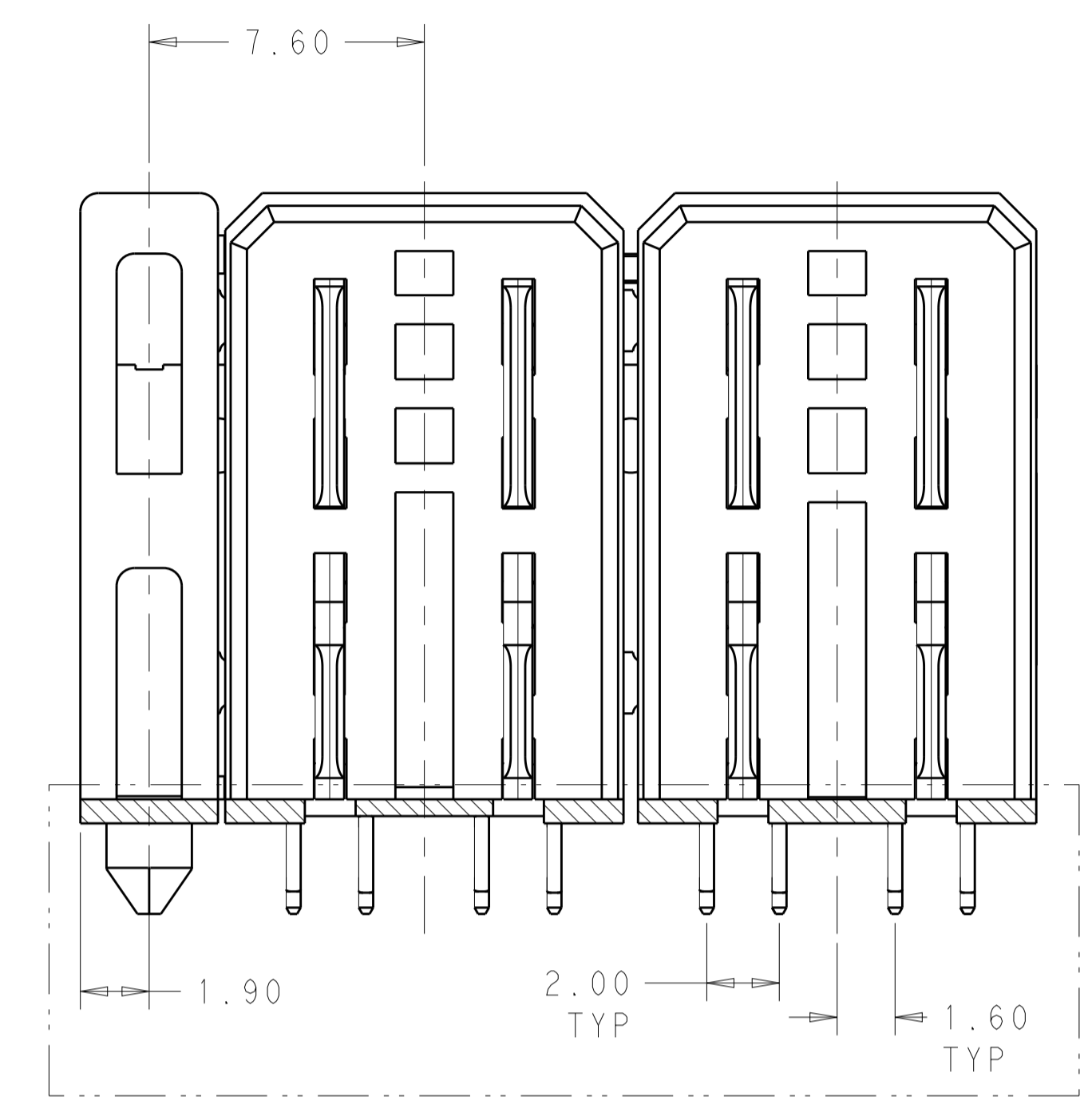
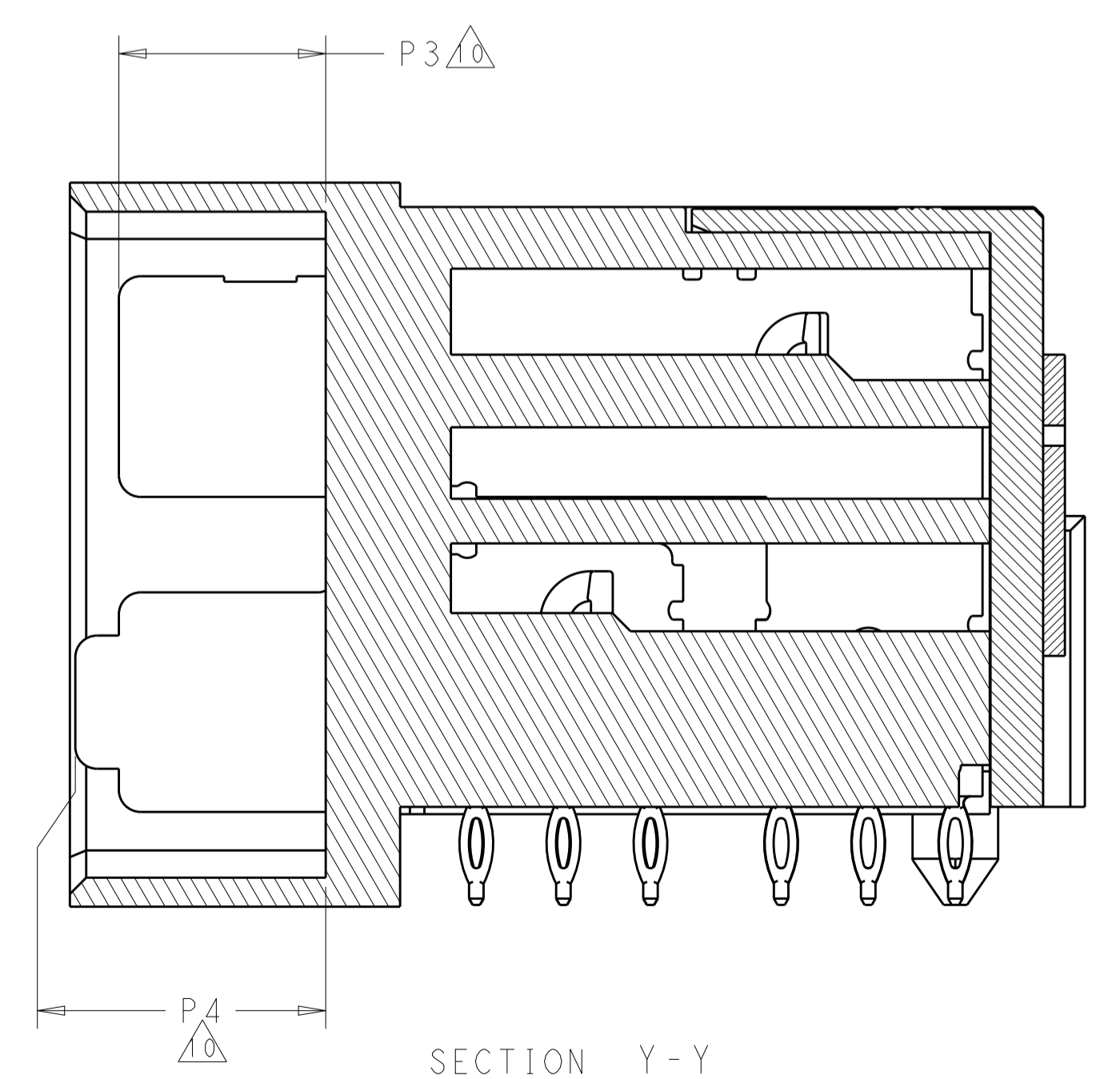
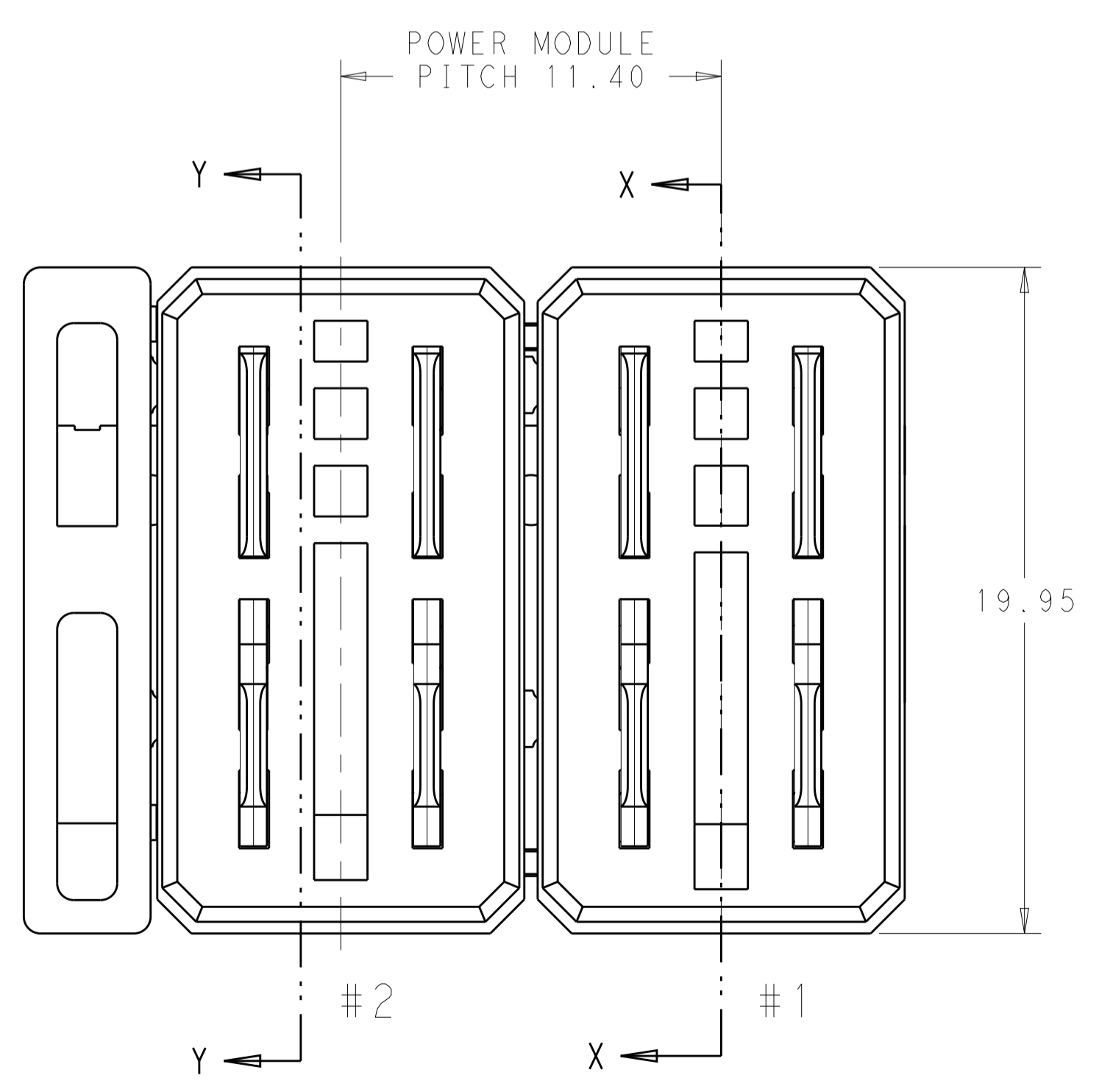
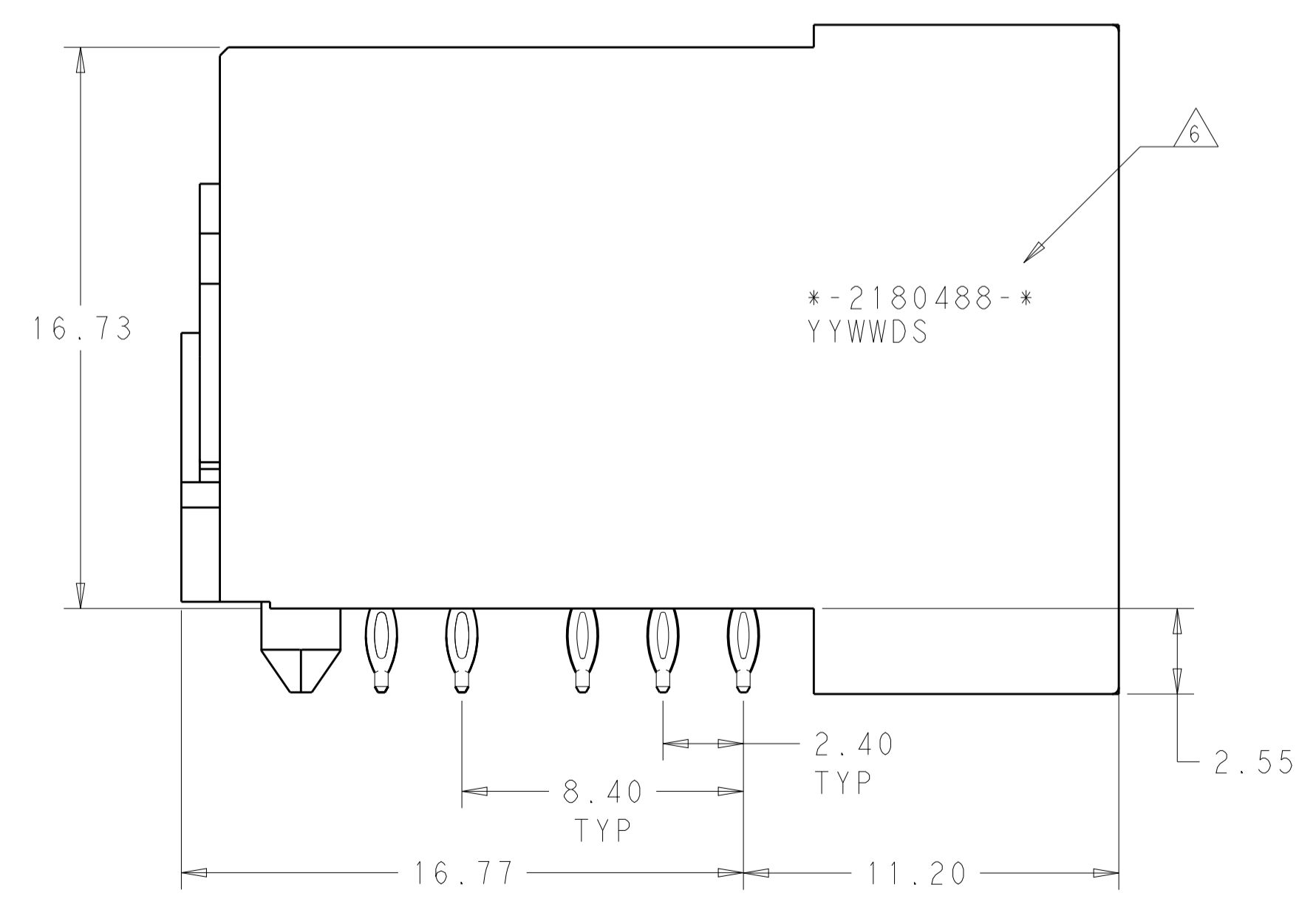


FIGURE: CUTAWAY  
 SHOWN SOLDER TAIL POSITION

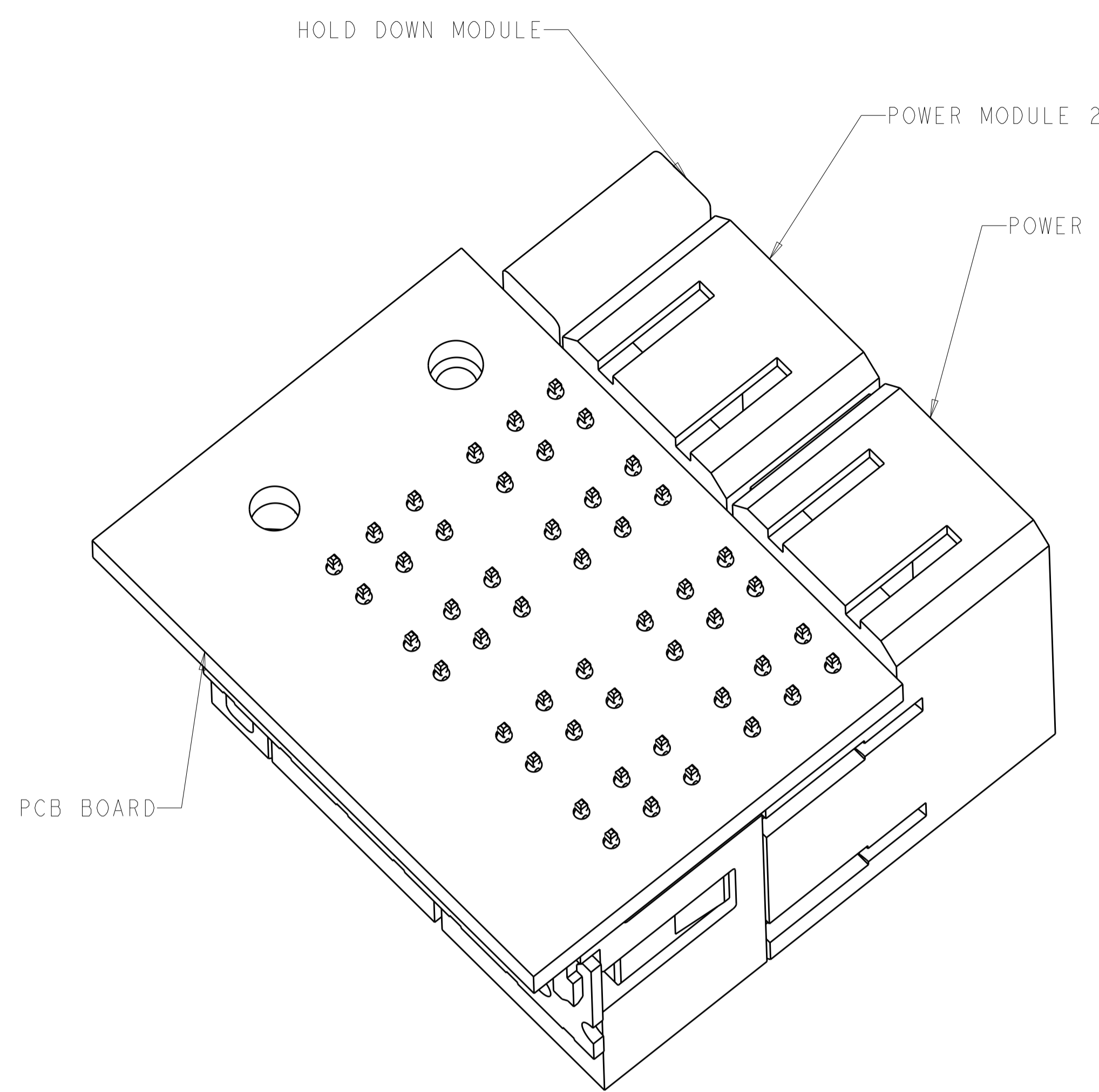


SECTION Y-Y  
 BLADE LOCATION P3 & P4

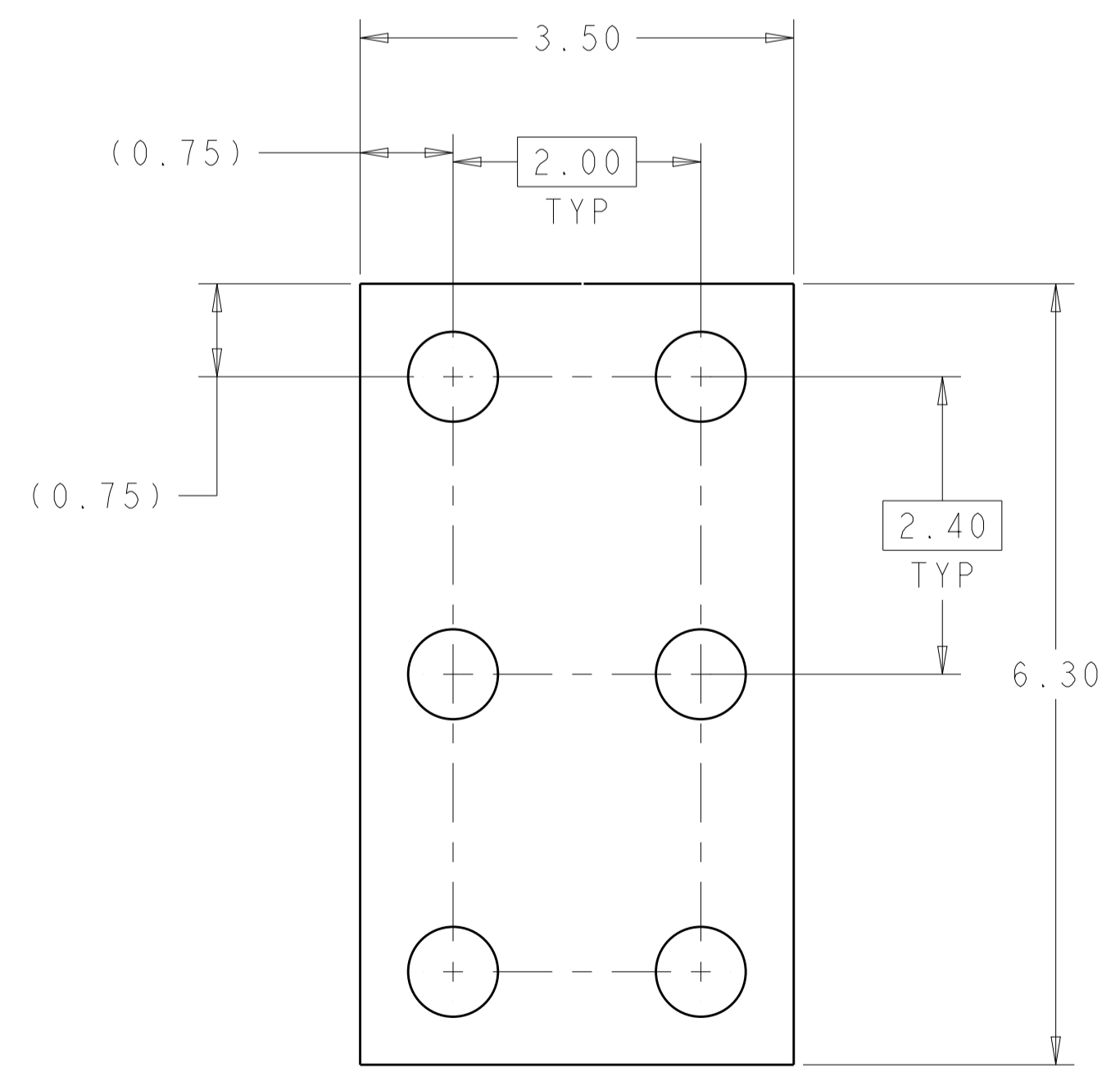


THIS DRAWING IS A CONTROLLED DOCUMENT.		DMN: LERRY WANG 06MAR2012	TE Connectivity
DIMENSIONS:		CHK: SUNY ZHAO 06MAR2012	
mm	TOLERANCES UNLESS OTHERWISE SPECIFIED:	APVD: SUNY ZHAO 06MAR2012	NAME: IMPACT POWER 4PAIR HEADER WITH LEFT HOLD DOWN PRESS FIT
0 PLC ±.1 1 PLC ±.15 2 PLC ±.25 3 PLC ±.3 4 PLC ±.4 ANGLES ±.5°	FINISH:	PRODUCT SPEC: APPLICATION SPEC: 114-32028 WEIGHT:	
MATERIAL:		CUSTOMER DRAWING	SIZE: A1 CAGE CODE: 100779 DRAWING NO: C=2180488 RESTRICTED TO:
		SCALE: 4:1	SHEET 2 OF 3 REV A1

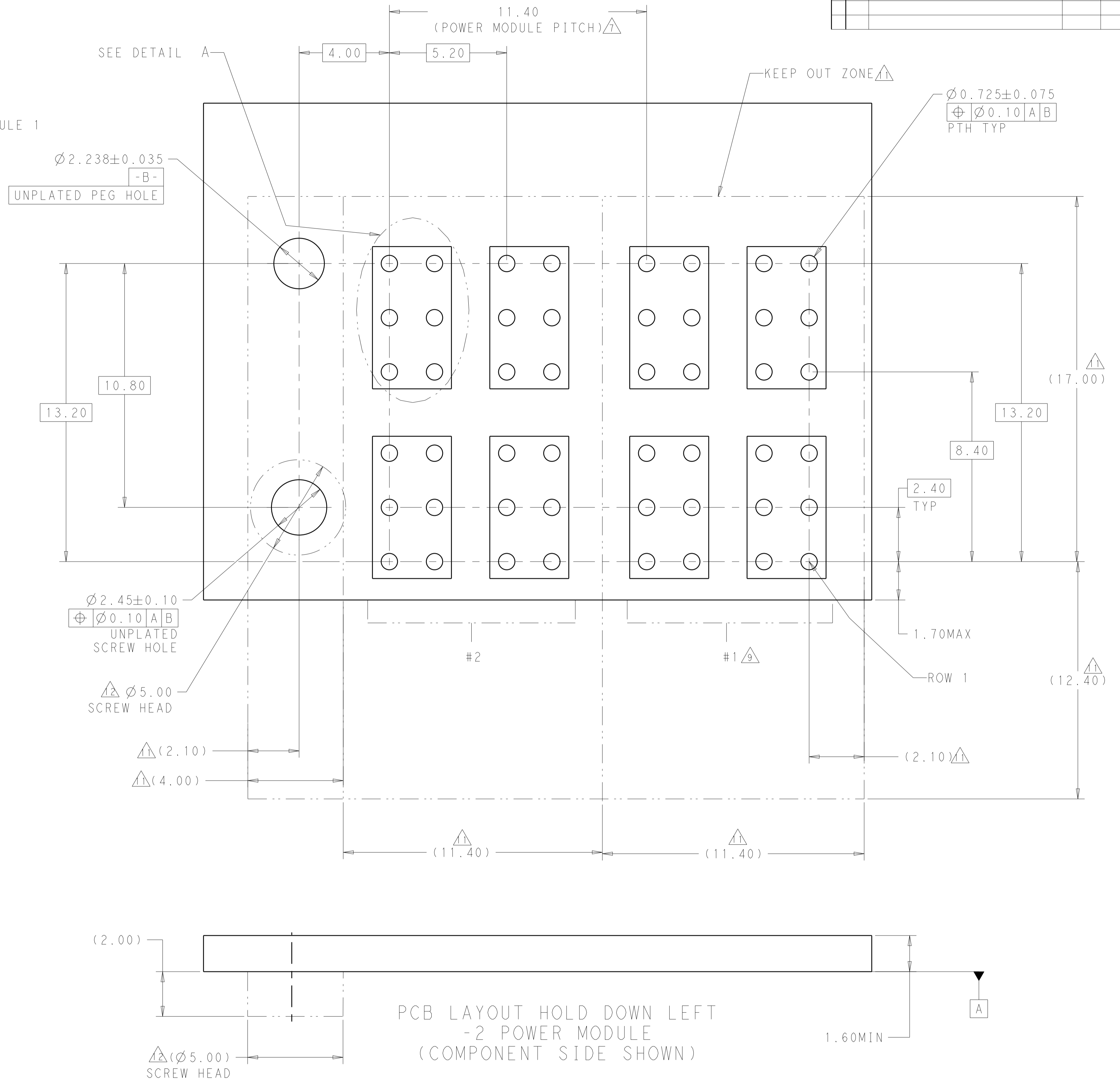
LOC	DIST	REVISIONS			
GP	00	REV	DATE	BY	APPV
-	-	SEE SHEET 1	-	-	-



CONNECTOR WITH PCB BOARD



DETAIL A  
COPPER PAD REFERENCE  
SCALE 20:1



PCB LAYOUT HOLD DOWN LEFT  
- 2 POWER MODULE  
(COMPONENT SIDE SHOWN)

THIS DRAWING IS A CONTROLLED DOCUMENT.		OWN: LERRY WANG 06MAR2012	TE Connectivity
DIMENSIONS: mm		CHK: SUNY ZHAO 06MAR2012	
TOLERANCES UNLESS OTHERWISE SPECIFIED:		APPV: SUNY ZHAO 06MAR2012	NAME: IMPACT POWER 4PAIR HEADER WITH LEFT HOLD DOWN PRESS FIT
0 PLC ±:..	1 PLC ±:..	2 PLC ±:..	3 PLC ±:..
4 PLC ±:..	ANGLES ±:..	FINISH ±:..	SCALE 4:1
MATERIAL: -	FINISH: -	WEIGHT: -	SHEET 3 OF 3
CUSTOMER DRAWING		SIZE: A1	REV: A1

## X-ON Electronics

Largest Supplier of Electrical and Electronic Components

*Click to view similar products for [High Speed/Modular Connectors](#) category:*

*Click to view products by [TE Connectivity](#) manufacturer:*

Other Similar products are found below :

[650827-1](#) [74040-1346](#) [1410191-1](#) [1410337-1](#) [1410368-3](#) [1410367-3](#) [1410971-4](#) [1467833-1](#) [2000877-1](#) [2000878-1](#) [2041314-1](#) [2065387-1](#)  
[2187307-1](#) [163P](#) [1934290-1](#) [2000875-1](#) [2065799-1](#) [2065917-1](#) [2102736-2](#) [FSR-40](#) [2169868-2](#) [22354-8](#) [437-5040-000](#) [039-0246-000](#)  
[0740618502](#) [0761601016](#) [73774-1000](#) [030-2415-003/100 PK](#) [030-7380-004](#) [030-2494-001](#) [532939-1](#) [5532901-3](#) [3-1469268-7](#) [UMK-SE](#)  
[11,25-1](#) [74748-102LF](#) [10041743-101LF](#) [10066670-100002LF](#) [1-533915-1](#) [249-4515-000](#) [7-1469373-3](#) [DL2-2J/S](#) [2000713-8](#) [2000713-7](#)  
[10124313-101LF](#) [1410189-2](#) [3011-21](#) [EBTF-4-10-2.0-S-RA-1](#) [430305-001](#) [4395800100](#) [8140115](#)