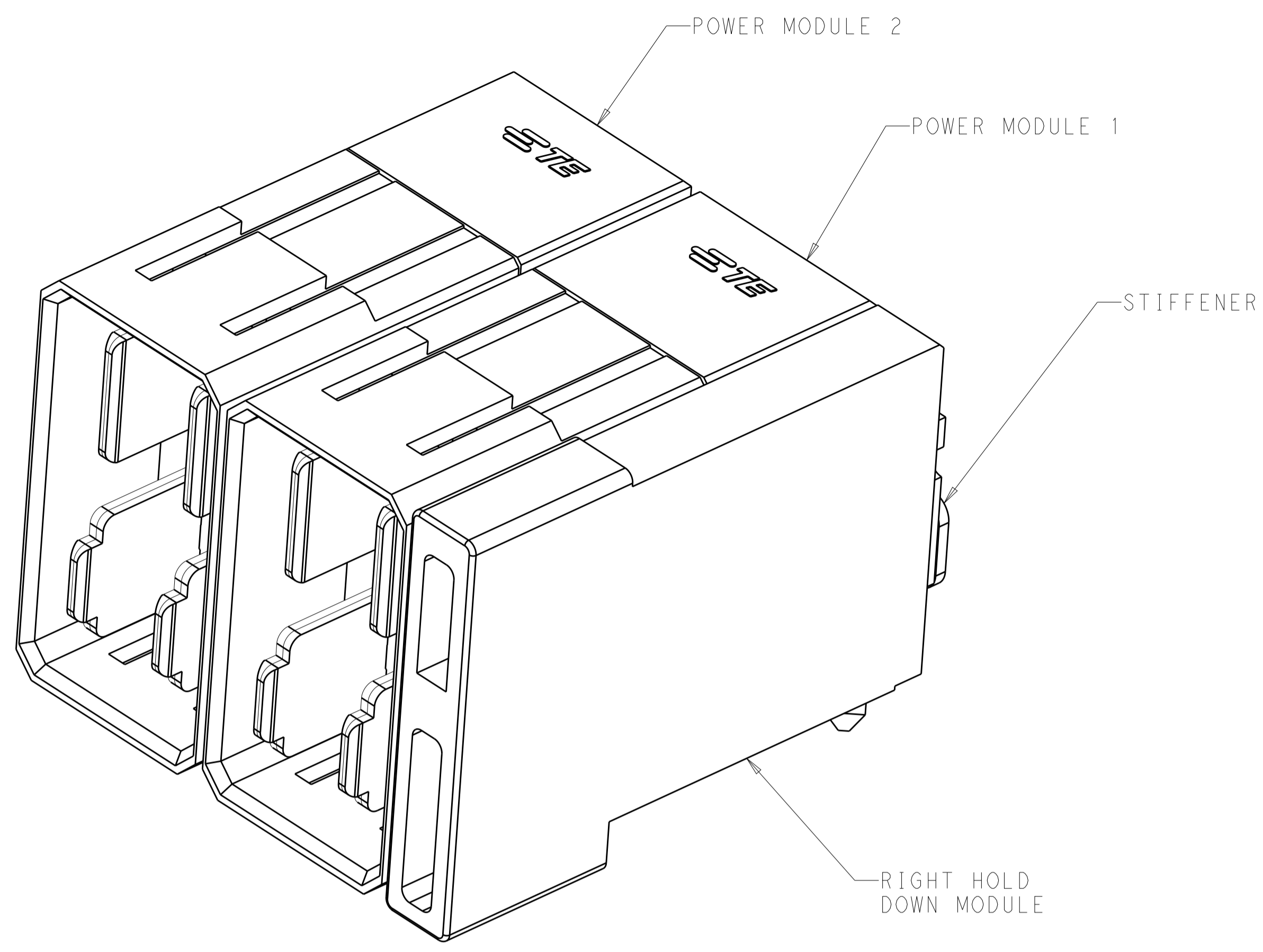


LOC		DIST		REVISIONS			
GP	00	P	LTN	DESCRIPTION	DATE	DWN	APVD
		A		INITIAL RELEASE	25MAY2012	LW	AC
		A1		REV PER ECR-12-010636	19JUN2012	LW	AC



HEADER WITH RIGHT HOLD DOWN MODULE

- NOTES:
- 1 MATERIALS:  
 HOUSING: HIGH TEMP. THERMOPLASTIC GLASS/MINERAL FILLED UL94V-0  
 TERMINAL: COPPER ALLOY
  - 2 FINISH:  
 TIN OPTION-0.76um MIN GOLD AT CONTACT AREA AND  
 1.27um MIN NICKEL UNDERPLATED OVER ALL  
 2.54um TIN AT SOLDER TAIL AREA  
 TIN-LEAD OPTION-0.76um MIN GOLD AT CONTACT AREA AND  
 1.27um MIN NICKEL UNDERPLATED OVER ALL  
 2.54um TIN-LEAD AT SOLDER TAIL AREA
  - 3 REFER TO TE'S PRODUCT SPECIFICATION:108-2473 FOR PLATED THROUGH-HOLE SPECIFICATION AND TORQUE FORCE
  - 4 CONNECTOR WERE PACKED BY TRAY  
 REFER TO TE'S PACKAGING SPECIFICATION:107-97874
  - 5 MATED WITH 2169809-\*
  - 6 LASER MARK PART NUMBER AND DATE CODE (YYWWDS) CAN BE AT THE OPPOSITE SIDE
  - 7 ADD 11.40MM FOR EACH ADDITIONAL MODULE
  - 8 REFER TO DOCUMENT NUMBER:2169802 FOR INDIVIDUAL MODULE COMPONENT INFORMATION
  - 9 FIRST POWER MODULE(1#) STARTS FROM THE RIGHT
  - 10 DIMENSION P1&P2 FOR POWER MODULE 1, P3&P4 FOR POWER MODULE 2
  - 11 COMPONENT STAY AWAY ZONE FROM CONNECTOR
  - 12 ALL PARTS ARE SHIPPED WITH A 2-32 AB TYPE SELF-TAPPING SCREW P/N:2057509-2

OBSOLETE	TIN + LEAD	DIMENSIONS				DIM A	NUMBER OF POWER MODULE	PART NUMBER
		P4	P3	P2	P1			
		6.90	5.70	6.90	5.70	26.40	2X	7-2180490-0
		6.90	5.70	5.70	6.90	26.40	2X	6-2180490-9
		6.90	5.70	5.70	5.70	26.40	2X	6-2180490-8
		6.90	5.70	6.90	6.90	26.40	2X	6-2180490-7
		5.70	6.90	6.90	5.70	26.40	2X	6-2180490-6
		5.70	6.90	5.70	6.90	26.40	2X	6-2180490-5
		5.70	6.90	5.70	5.70	26.40	2X	6-2180490-4
		5.70	6.90	6.90	6.90	26.40	2X	6-2180490-3
		5.70	5.70	6.90	5.70	26.40	2X	6-2180490-2
		5.70	5.70	5.70	6.90	26.40	2X	6-2180490-1
		5.70	5.70	5.70	5.70	26.40	2X	6-2180490-0
		5.70	5.70	6.90	6.90	26.40	2X	5-2180490-9
		6.90	6.90	6.90	5.70	26.40	2X	5-2180490-8
		6.90	6.90	5.70	6.90	26.40	2X	5-2180490-7
		6.90	6.90	5.70	5.70	26.40	2X	5-2180490-6
		6.90	6.90	6.90	6.90	26.40	2X	5-2180490-5
		N/A	N/A	6.90	5.70	15.00	1X	5-2180490-4
		N/A	N/A	5.70	6.90	15.00	1X	5-2180490-3
		N/A	N/A	5.70	5.70	15.00	1X	5-2180490-2
		N/A	N/A	6.90	6.90	15.00	1X	5-2180490-1
	TRAY	6.90	5.70	6.90	5.70	26.40	2X	2-2180490-0
		6.90	5.70	5.70	6.90	26.40	2X	1-2180490-9
		6.90	5.70	5.70	5.70	26.40	2X	1-2180490-8
		6.90	5.70	6.90	6.90	26.40	2X	1-2180490-7
		5.70	6.90	6.90	5.70	26.40	2X	1-2180490-6
		5.70	6.90	5.70	6.90	26.40	2X	1-2180490-5
		5.70	6.90	5.70	5.70	26.40	2X	1-2180490-4
		5.70	6.90	6.90	6.90	26.40	2X	1-2180490-3
		5.70	5.70	6.90	5.70	26.40	2X	1-2180490-2
		5.70	5.70	5.70	6.90	26.40	2X	1-2180490-1
		5.70	5.70	6.90	6.90	26.40	2X	2180490-9
		6.90	6.90	6.90	5.70	26.40	2X	2180490-8
		6.90	6.90	5.70	6.90	26.40	2X	2180490-7
		6.90	6.90	5.70	5.70	26.40	2X	2180490-6
		6.90	6.90	6.90	6.90	26.40	2X	2180490-5
		N/A	N/A	6.90	5.70	15.00	1X	2180490-4
		N/A	N/A	5.70	6.90	15.00	1X	2180490-3
		N/A	N/A	5.70	5.70	15.00	1X	2180490-2
		N/A	N/A	6.90	6.90	15.00	1X	2180490-1
PACKAGING	PLATING TYP	P4	P3	P2	P1	DIM A	NUMBER OF POWER MODULE	PART NUMBER

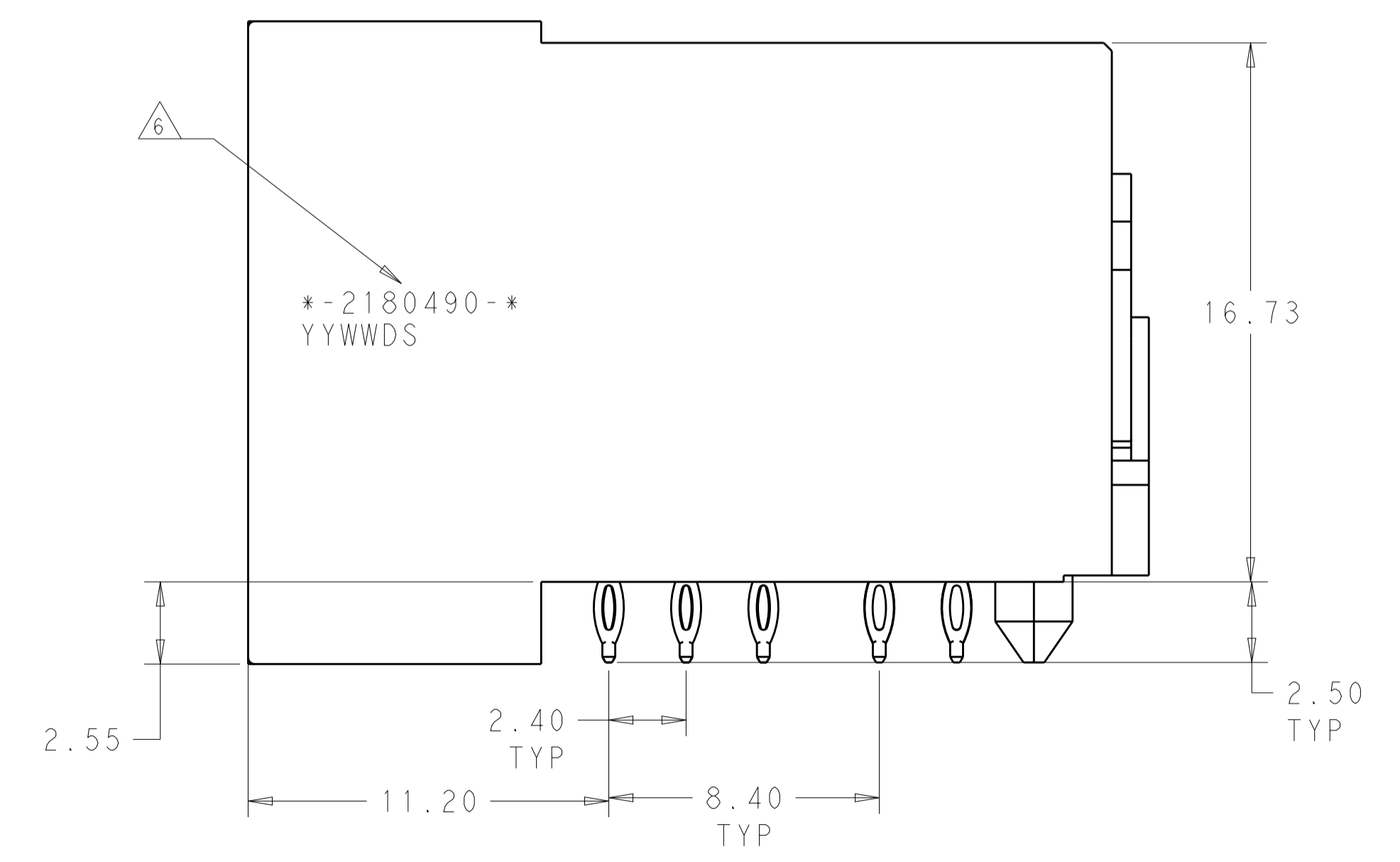
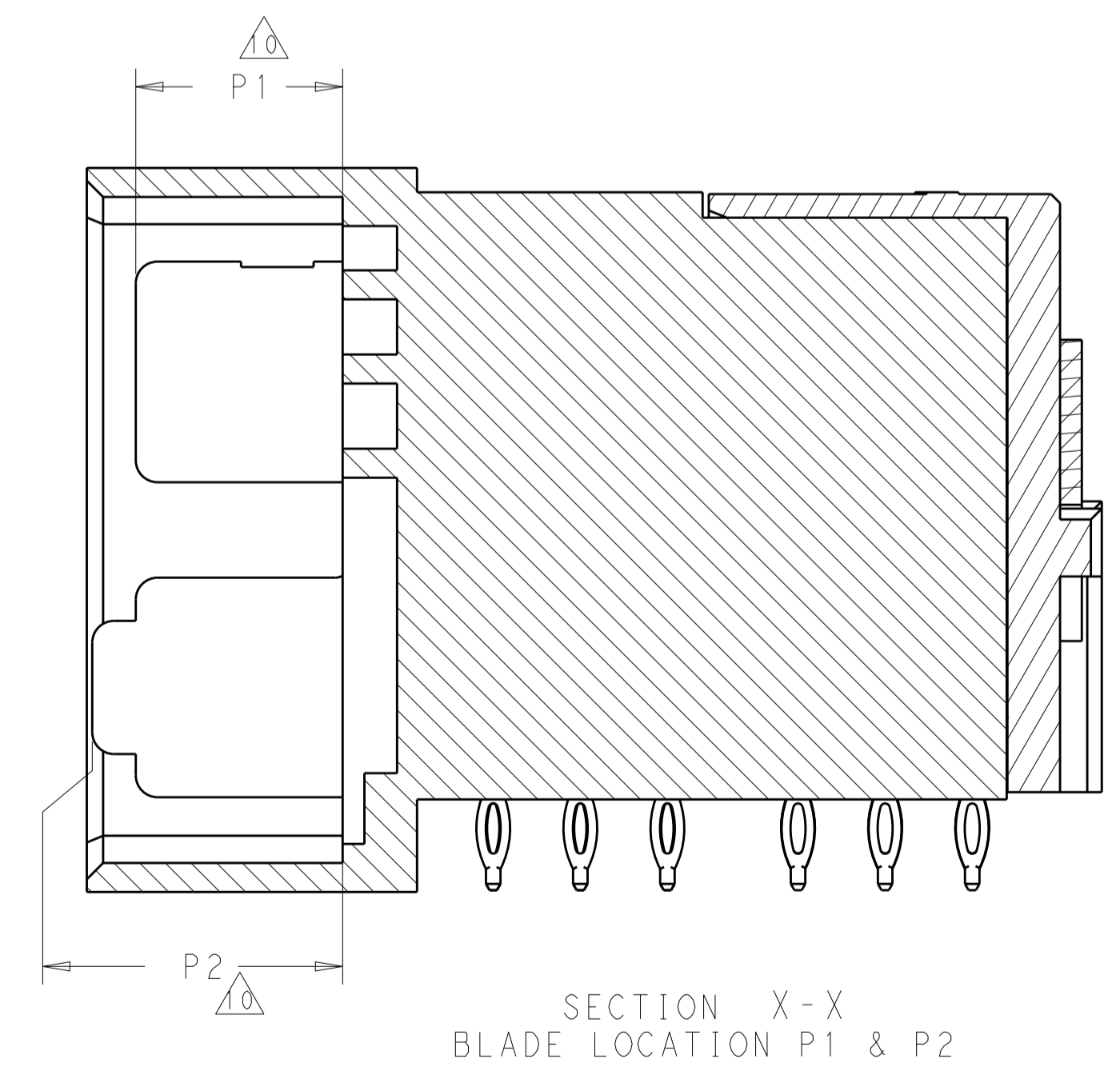
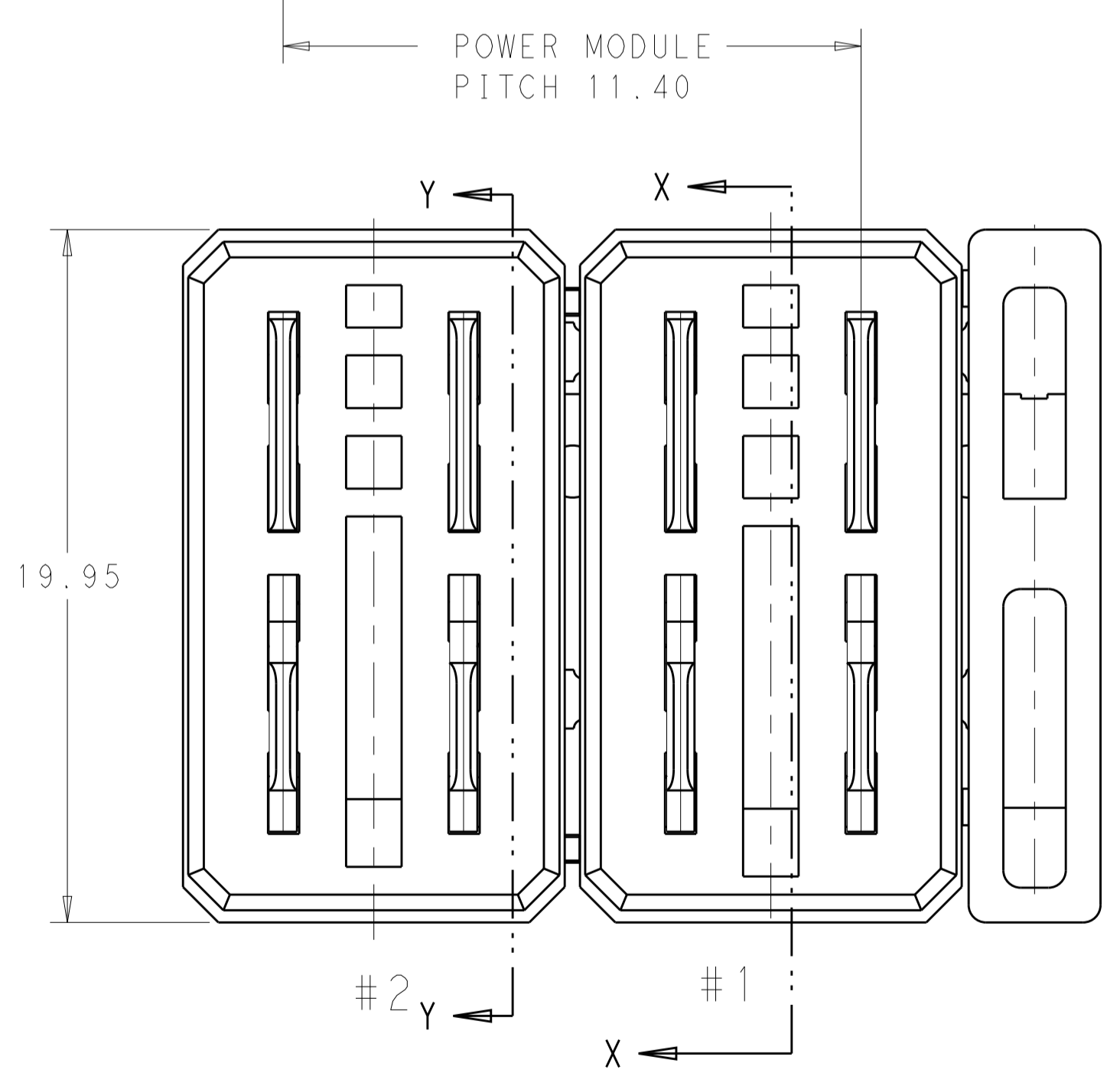
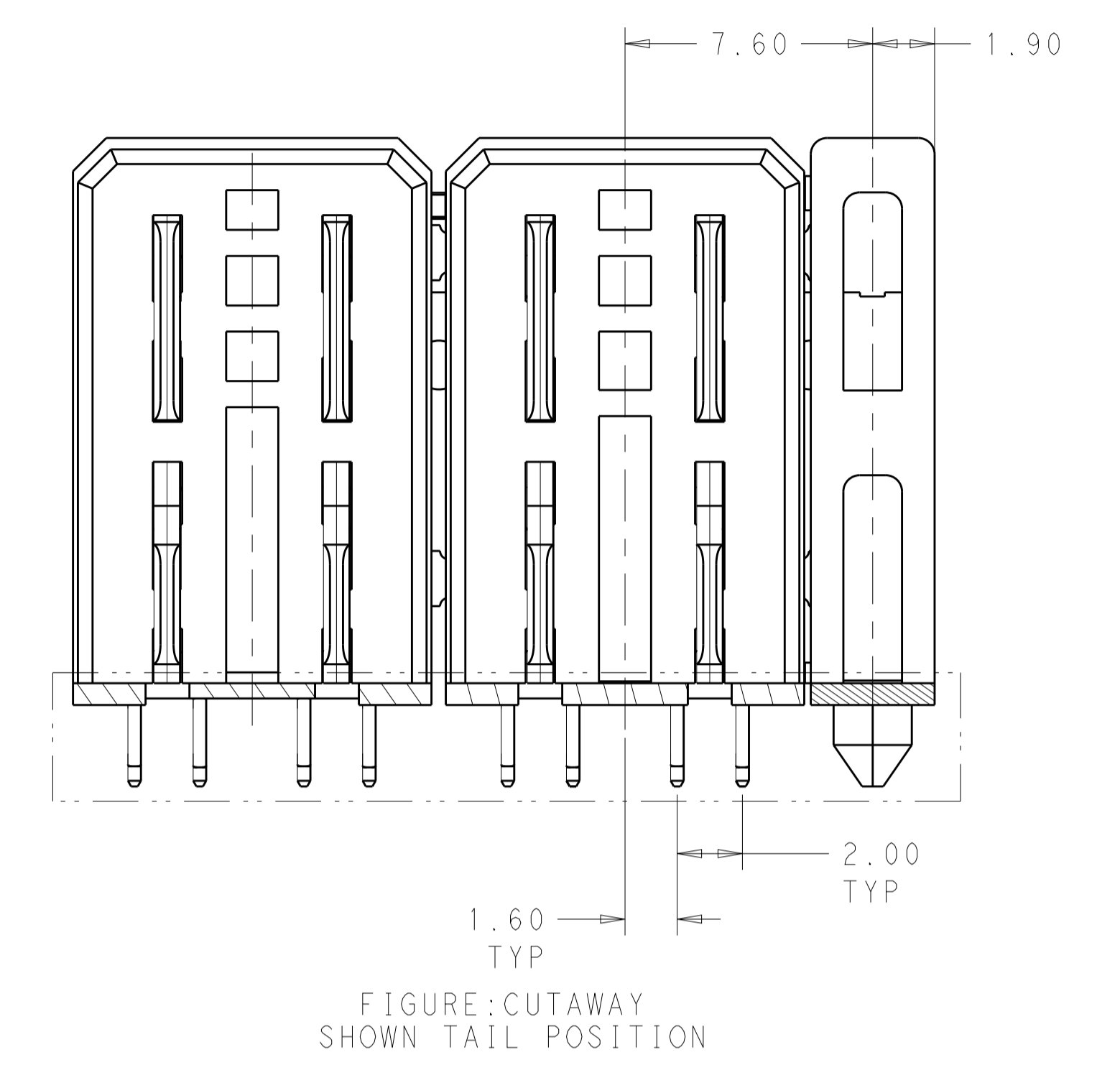
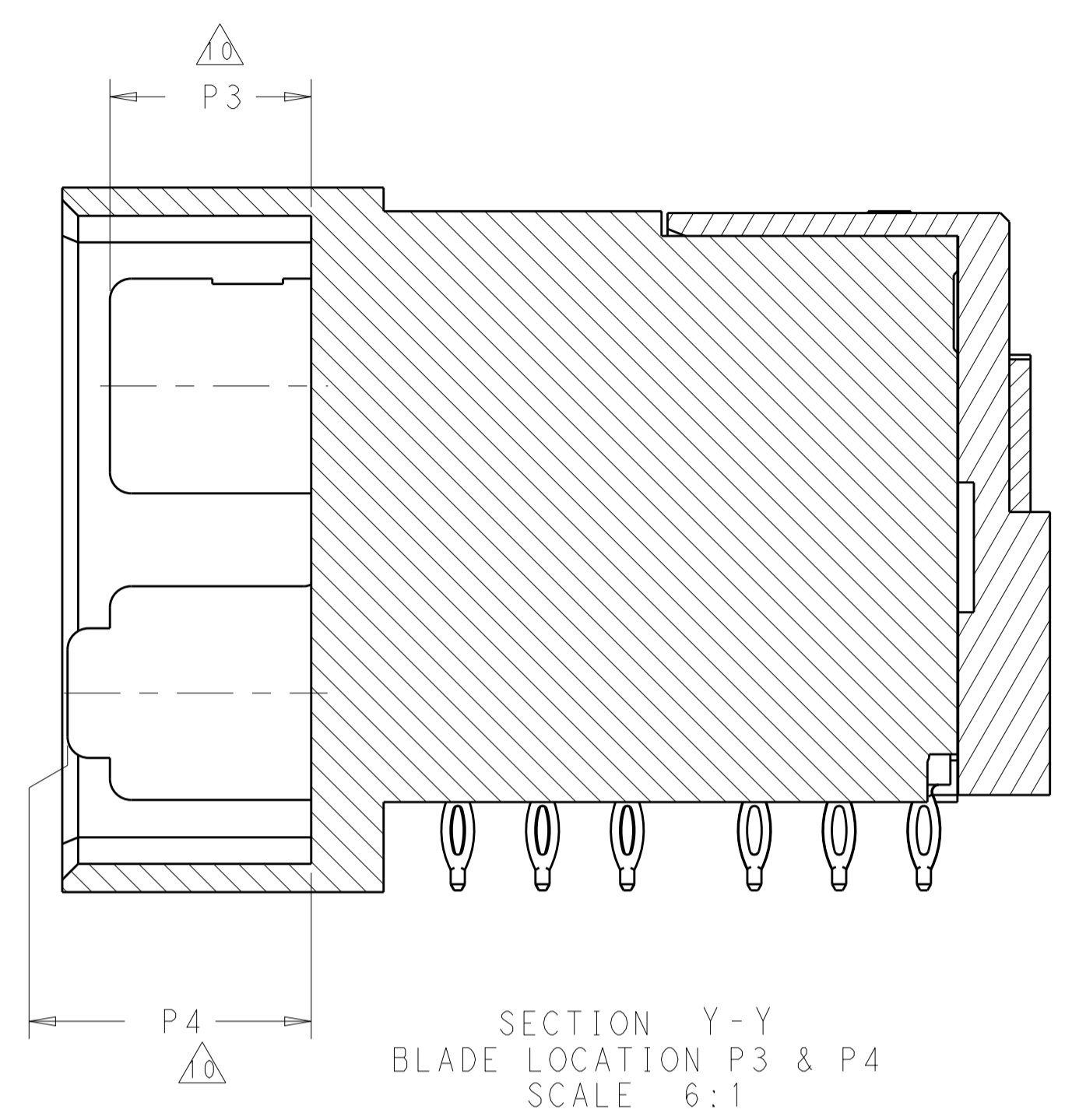
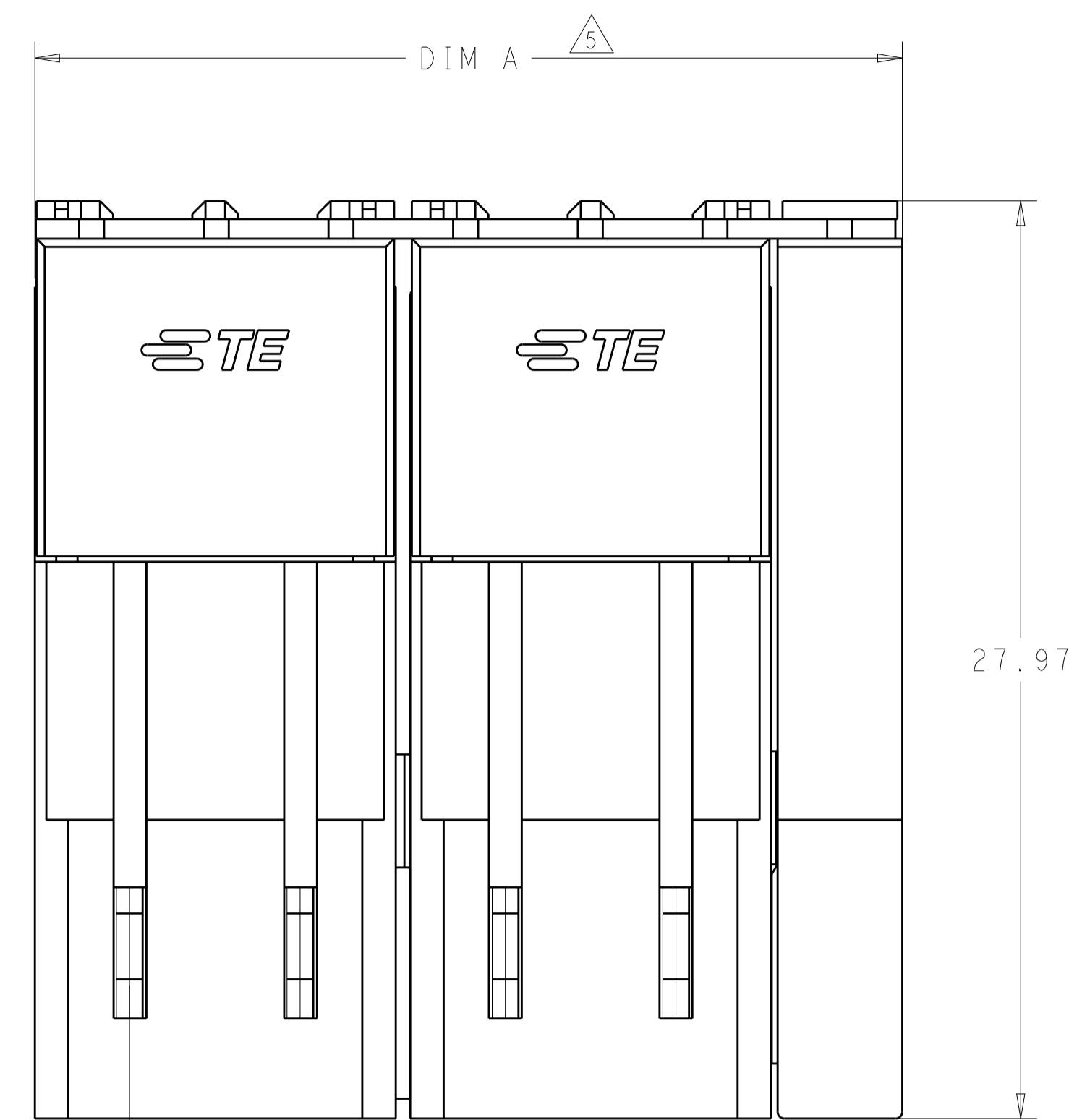
THIS DRAWING IS A CONTROLLED DOCUMENT. DWN: LERRY WANG 08FEB2012  
 CHK: SUNY ZHAO 08FEB2012  
 APVD: SUNY ZHAO 08FEB2012

TE Connectivity

IMPACT POWER 4PAIR HEADER WITH RIGHT HOLD DOWN PRESS FIT

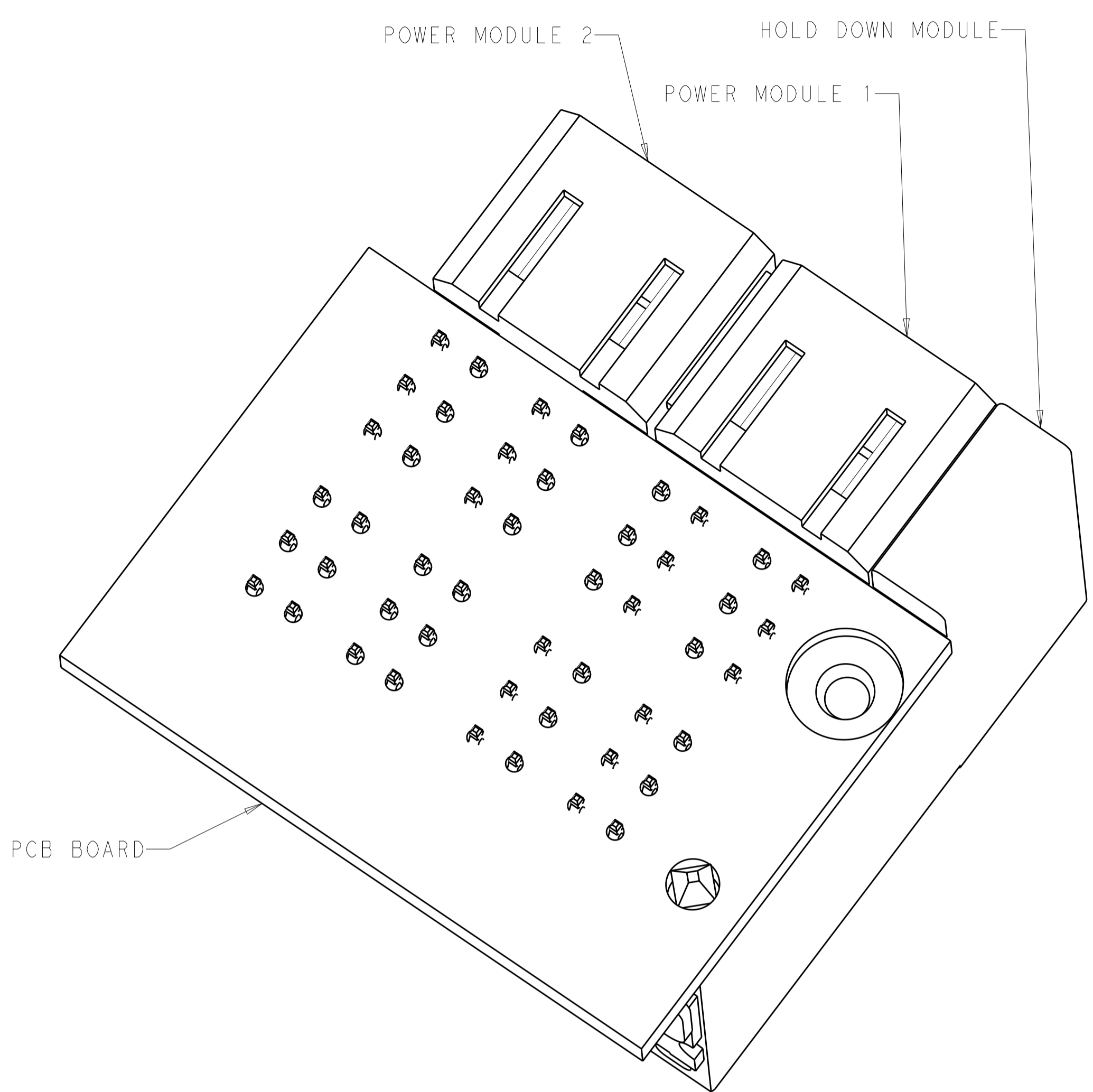
SIZE: 114-32028 CAGE CODE: 100779 DRAWING NO: 2180490  
 WEIGHT: -  
 CUSTOMER DRAWING SCALE: 6:1 SHEET 1 OF 3 REV: A1

LOC	DIST	REVISIONS					
GP	00	P	LTN	DESCRIPTION	DATE	DWN	APVD
-	-	-	-	SEE SHEET 1	-	-	-

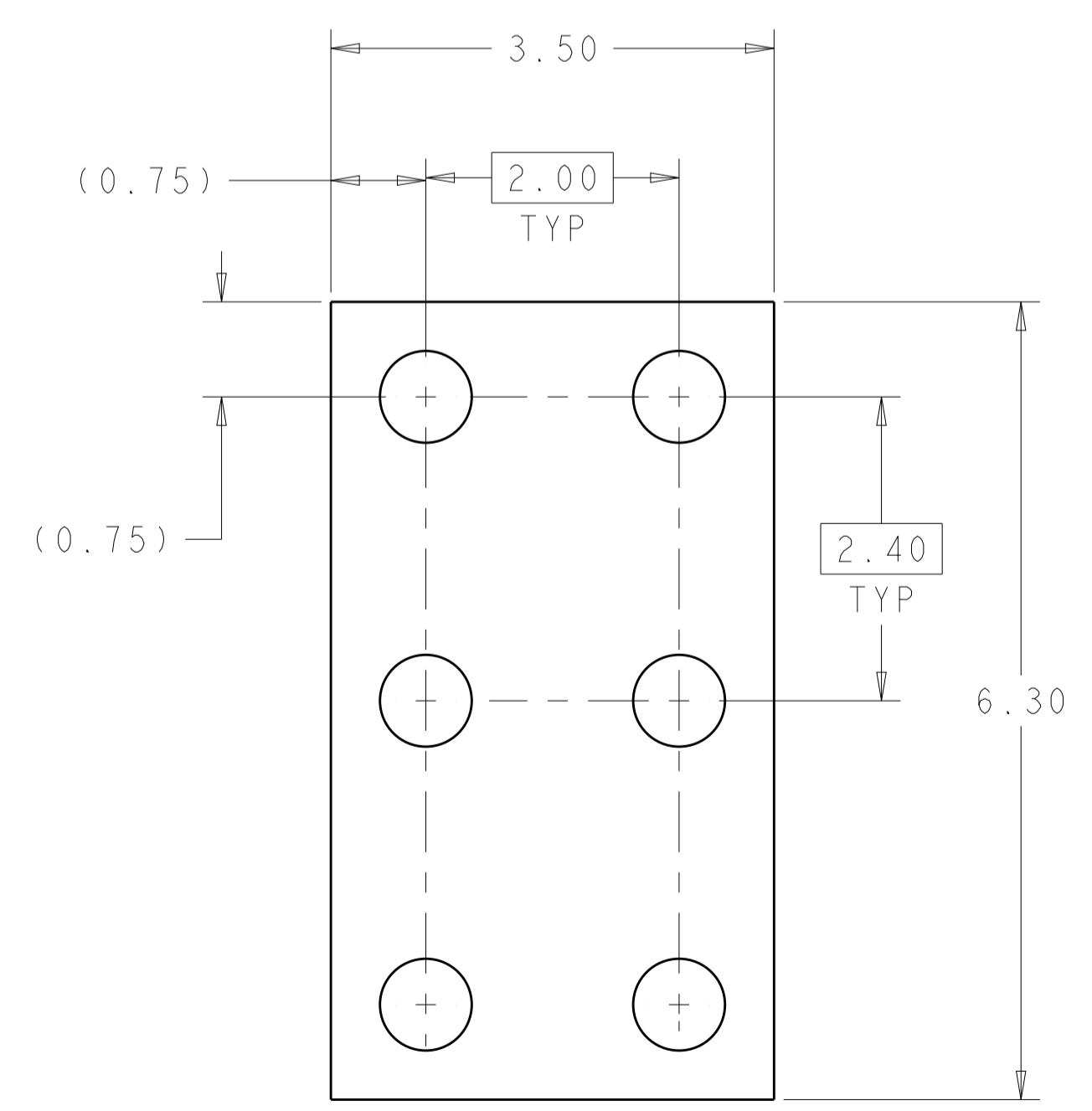


THIS DRAWING IS A CONTROLLED DOCUMENT.		OWN: LERRY WANG 08FEB2012	TE Connectivity
DIMENSIONS: mm		CHK: SUNY ZHAO 08FEB2012	
TOLERANCES UNLESS OTHERWISE SPECIFIED:		APVD: SUNY ZHAO 08FEB2012	NAME: IMPACT POWER 4PAIR HEADER WITH RIGHT HOLD DOWN PRESS FIT
0 PLC ±---	1 PLC ±---	PRODUCT SPEC	SIZE: A1
2 PLC ±0.25	3 PLC ±---	APPLICATION SPEC	CAGE CODE: 114-32028
4 PLC ±---	ANGLES ±---	WEIGHT	REV: A1
MATERIAL: -	FINISH: -	CUSTOMER DRAWING	SCALE: 6:1 SHEET 2 OF 3

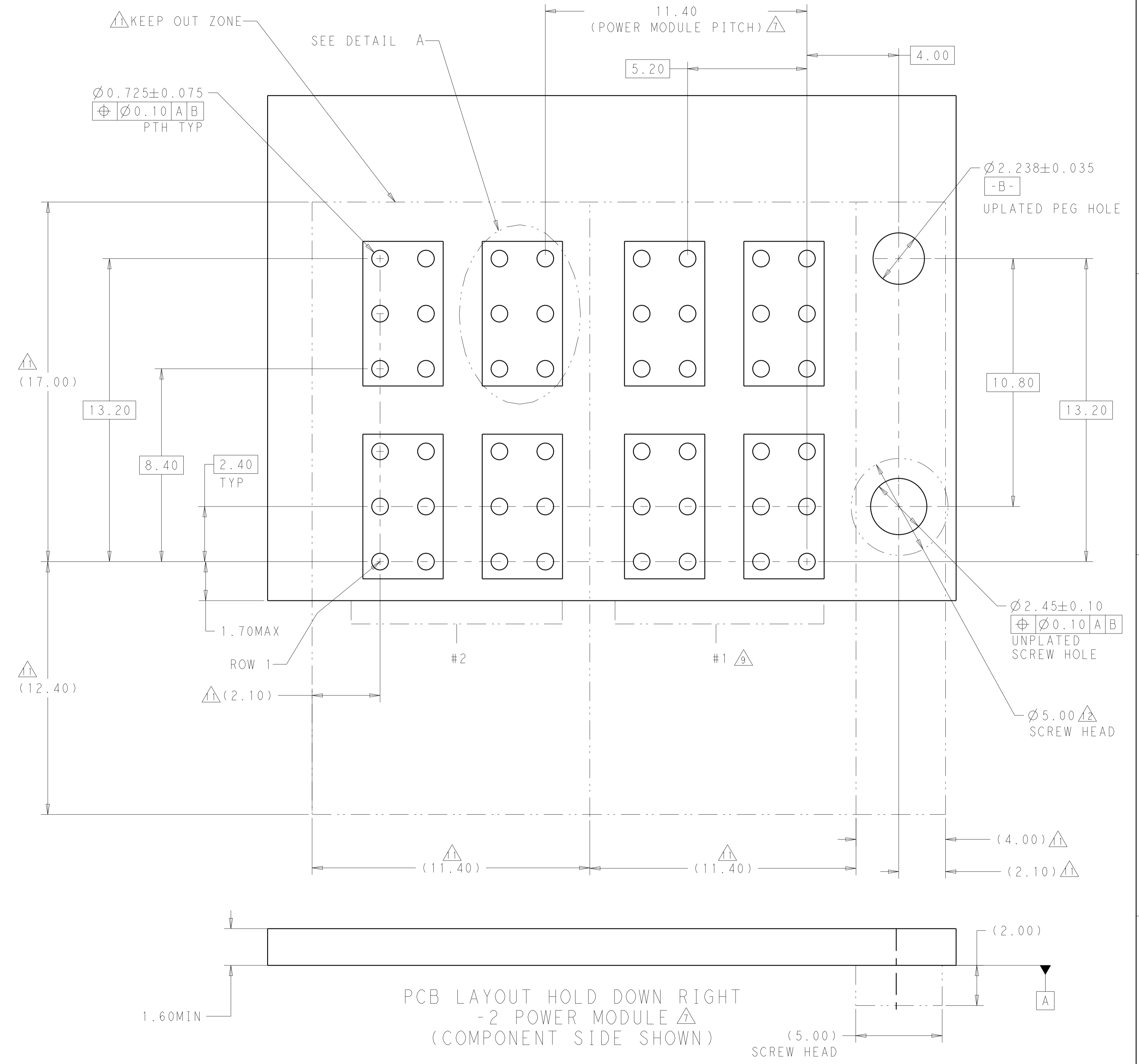
LOC	DIST	REVISIONS			
GP	00	REV	DATE	BY	APPV
		1	SEE SHEET 1		



CONNECTOR WITH PCB BOARD



DETAIL A  
SCALE 20:1  
COPPER PAD REFERENCE



PCB LAYOUT HOLD DOWN RIGHT  
- 2 POWER MODULE  
(COMPONENT SIDE SHOWN)

THIS DRAWING IS A CONTROLLED DOCUMENT.		OWN LERRY WANG 08FEB2012	 TE Connectivity
DIMENSIONS:		CHK SUNY ZHAO 08FEB2012	
TOLERANCES UNLESS OTHERWISE SPECIFIED:		APVD SUNY ZHAO 08FEB2012	
mm		NAME	
0 PLC ±0.10	1 PLC ±0.15	PRODUCT SPEC	IMPACT POWER 4PAIR HEADER WITH RIGHT HOLD DOWN PRESS FIT
2 PLC ±0.25	3 PLC ±0.30	APPLICATION SPEC	SIZE CAGE CODE DRAWING NO RESTRICTED TO
4 PLC ±0.40	ANGLES ±0.5°	114-32028	A1 00779 C=2180490
MATERIAL	FINISH	WEIGHT	CUSTOMER DRAWING SCALE 6:1 SHEET 3 OF 3 REV A1

## X-ON Electronics

Largest Supplier of Electrical and Electronic Components

*Click to view similar products for [High Speed/Modular Connectors](#) category:*

*Click to view products by [TE Connectivity](#) manufacturer:*

Other Similar products are found below :

[650827-1](#) [74040-1346](#) [1410191-1](#) [1410368-3](#) [1410964-2](#) [1410326-3](#) [1410367-3](#) [1410971-4](#) [1467833-1](#) [2000877-1](#) [2000878-1](#) [2041314-1](#)  
[2065387-1](#) [2187307-1](#) [163P](#) [1934290-1](#) [2000875-1](#) [2065917-1](#) [2102736-2](#) [FSR-40](#) [2169868-2](#) [22354-8](#) [437-5040-000](#) [5-1393565-0](#) [039-](#)  
[0246-000](#) [0740618502](#) [0761601016](#) [0784461022](#) [10123159-12ELF](#) [030-2415-003/100 PK](#) [030-7380-004](#) [030-2494-001](#) [532939-1](#) [5532901-](#)  
[3](#) [3-1469268-7](#) [74748-102LF](#) [10041743-101LF](#) [10066670-100002LF](#) [1-533915-1](#) [249-4515-000](#) [7-1469373-3](#) [DL2-2J/S](#) [2000713-8](#)  
[2000713-7](#) [10124313-101LF](#) [3011-21](#) [757105208](#) [430305-001](#) [4395800100](#) [8140115](#)