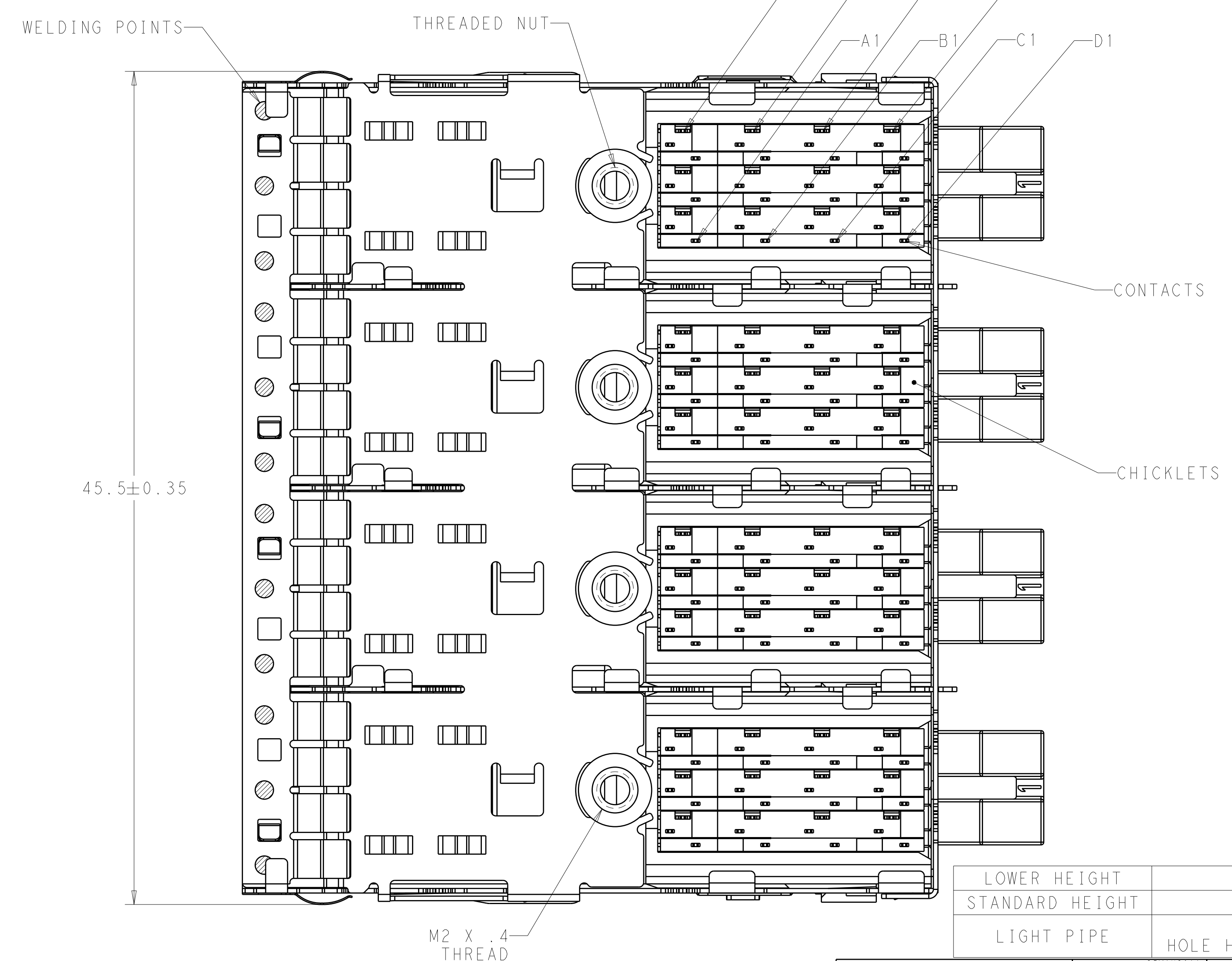
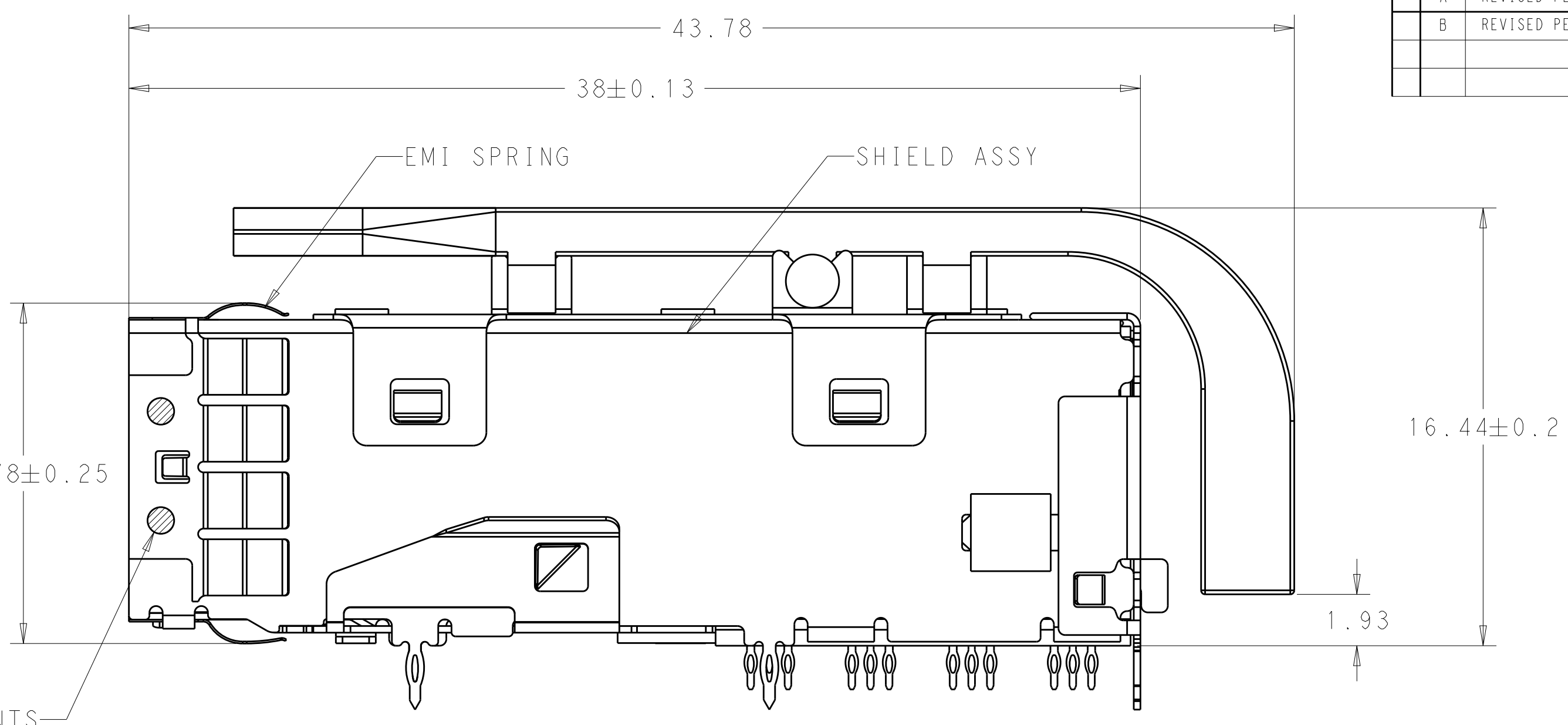
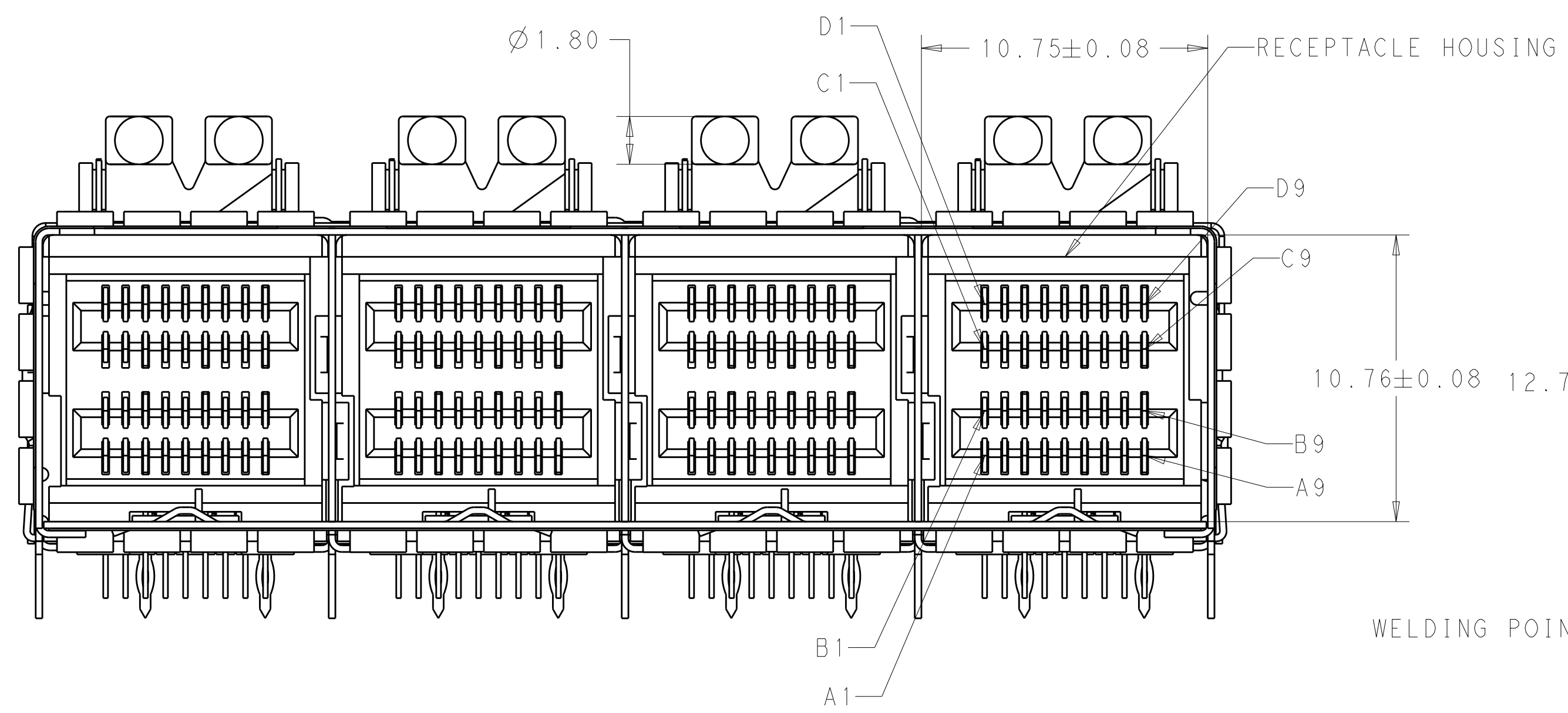


LOC		DIST		REVISIONS			
P	LTN	DESCRIPTION	DATE	DWN	APVD		
A		REVISED PER ECO-14-018497	17DEC2014	AP	DG		
B		REVISED PER ECO-15-013876	19JUN2016	JY	SH		



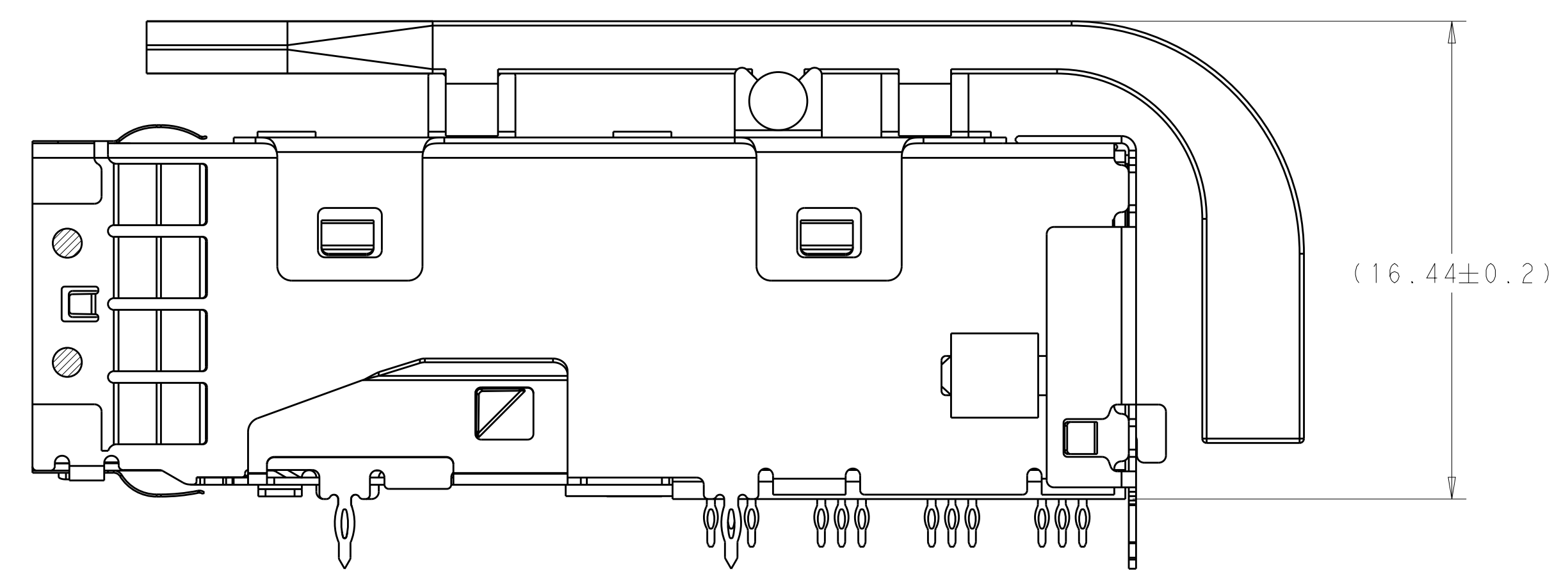
- MATERIALS**
 RECEPTACLE HOUSING: LCP, BLACK, UL94V-0 RATED
 SHIELD ASSY: NICKEL-SILVER COPPER ALLOY
 CONTACTS: COPPER ALLOY
 EMI SPRING: COPPER ALLOY
 THREADED NUT: BRASS
 CHICKLETS: LCP, BLACK, UL 94V-0 RATED
 LIGHTPIPE CLIP: STAINLESS STEEL
 LIGHTPIPE: POLYCARBONATE
 - FINISH**
 EMI SPRING: TIN PLATE OVER NICKEL PLATE
 NON-PLATED EDGES PERMISSABLE
 THREADED NUT: NICKEL PLATE
- △ CONTACT FINISH: CONFORMS TO THE REQUIREMENTS OF TE PRODUCT SPECIFICATION, 108-2462. BASED ON EIA/ECA-364-1000.01A. (CONTROLLED ENVIRONMENT APPLICATIONS) ON MATING END. TIN PLATED ON PCB TAIL
4. THREAD LENGTH OF FASTENER = PCB THICKNESS+1.45 MAX
- △ RECOMMENDED TRACE KEEP OUT ZONE

LOWER HEIGHT	14.53	2180736-2
STANDARD HEIGHT	15.54	2180736-1
LIGHT PIPE	H HOLE HIGHT OF LP	PART NUMBER

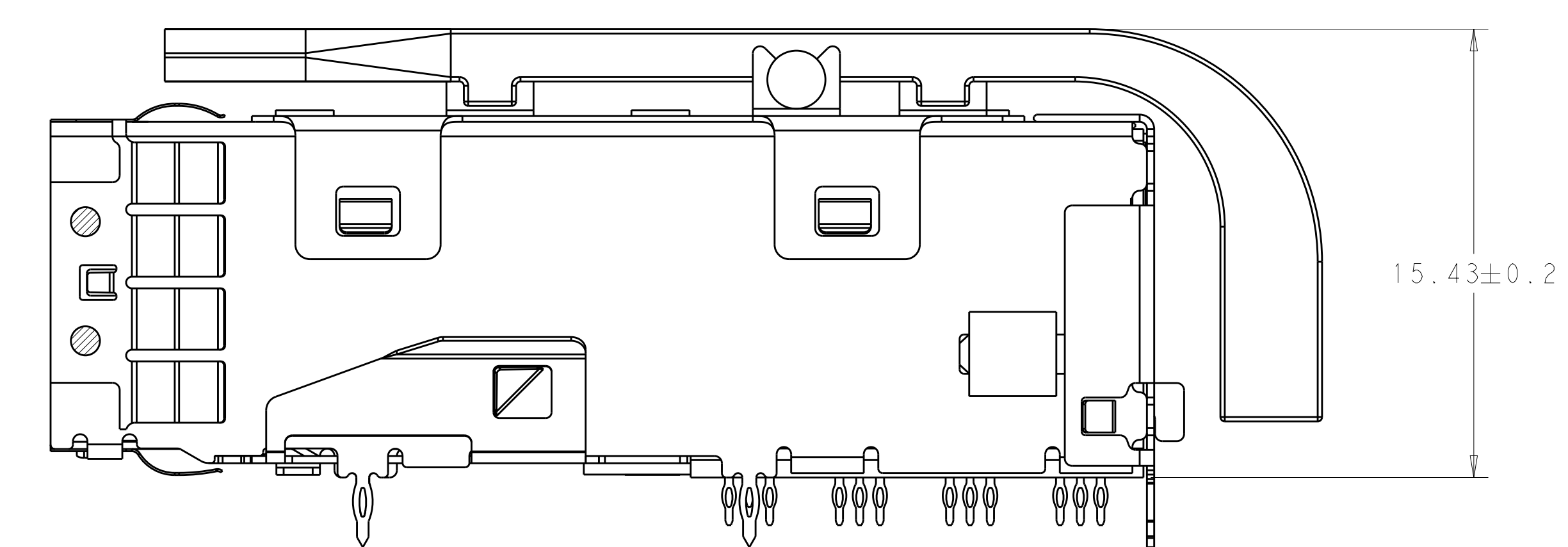
THIS DRAWING IS A CONTROLLED DOCUMENT.		DWN P. KERLIN CHK J. SECHRIST	25MAY2011 25MAY2011
DIMENSIONS:	TOLERANCES UNLESS OTHERWISE SPECIFIED:	NAME	
mm	0 PLC ± 1 PLC ±0.25 2 PLC ±0.13 3 PLC ± 4 PLC ± ANGLES ±	PRODUCT SPEC	
MATERIAL	FINISH	APPLICATION SPEC	
		114-13316	
		WEIGHT	
		A100779C=2180736	
CUSTOMER DRAWING		SCALE 6:1	SHEET 1 OF 4 REV B

2180736-1 AS SHOWN

LOC	DIST	REVISIONS			
P.	LTH	DESCRIPTION	DATE	DWN	APVD
-	-	SEE SHEET 1	-	-	-



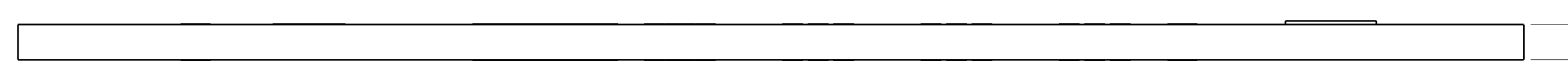
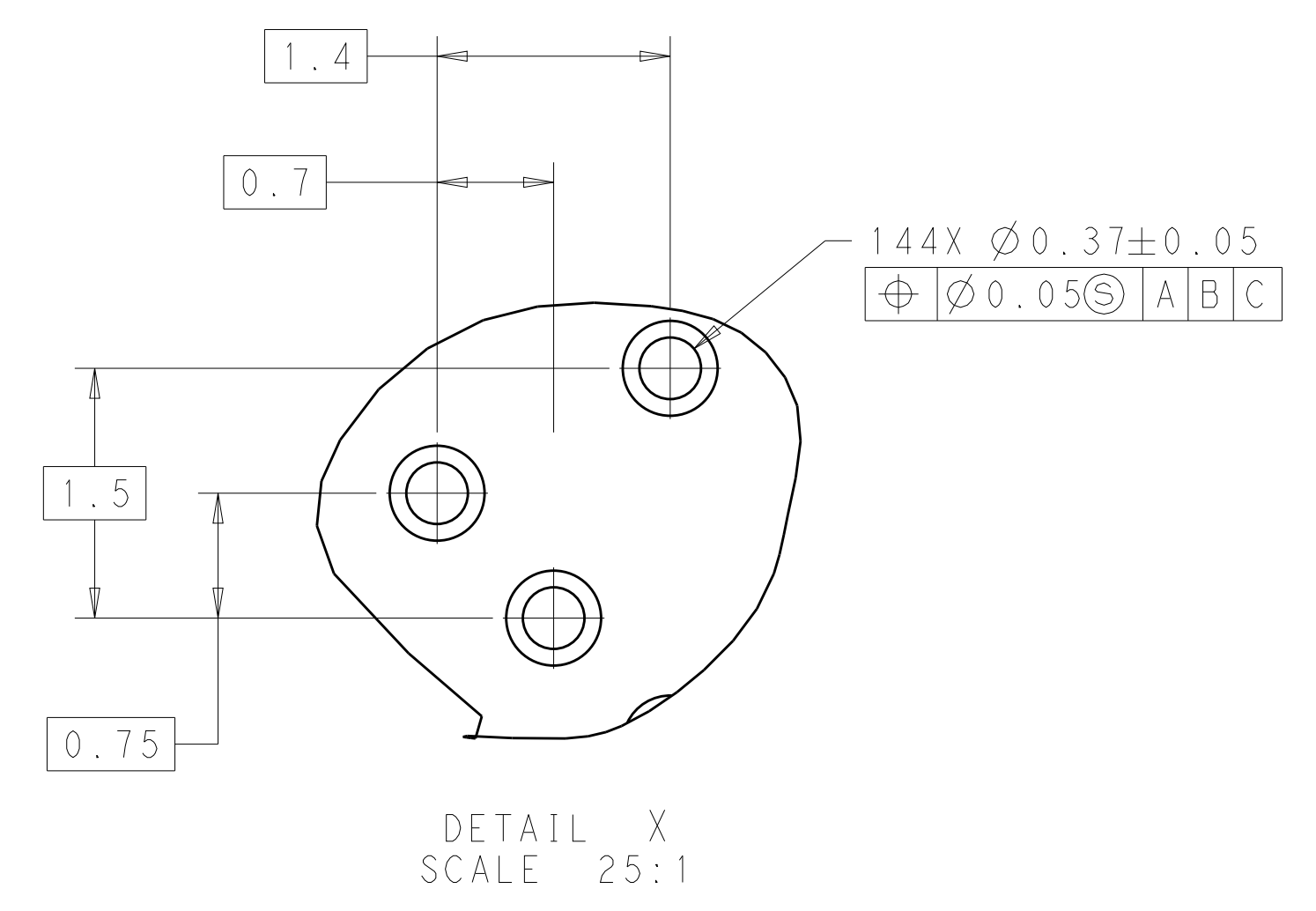
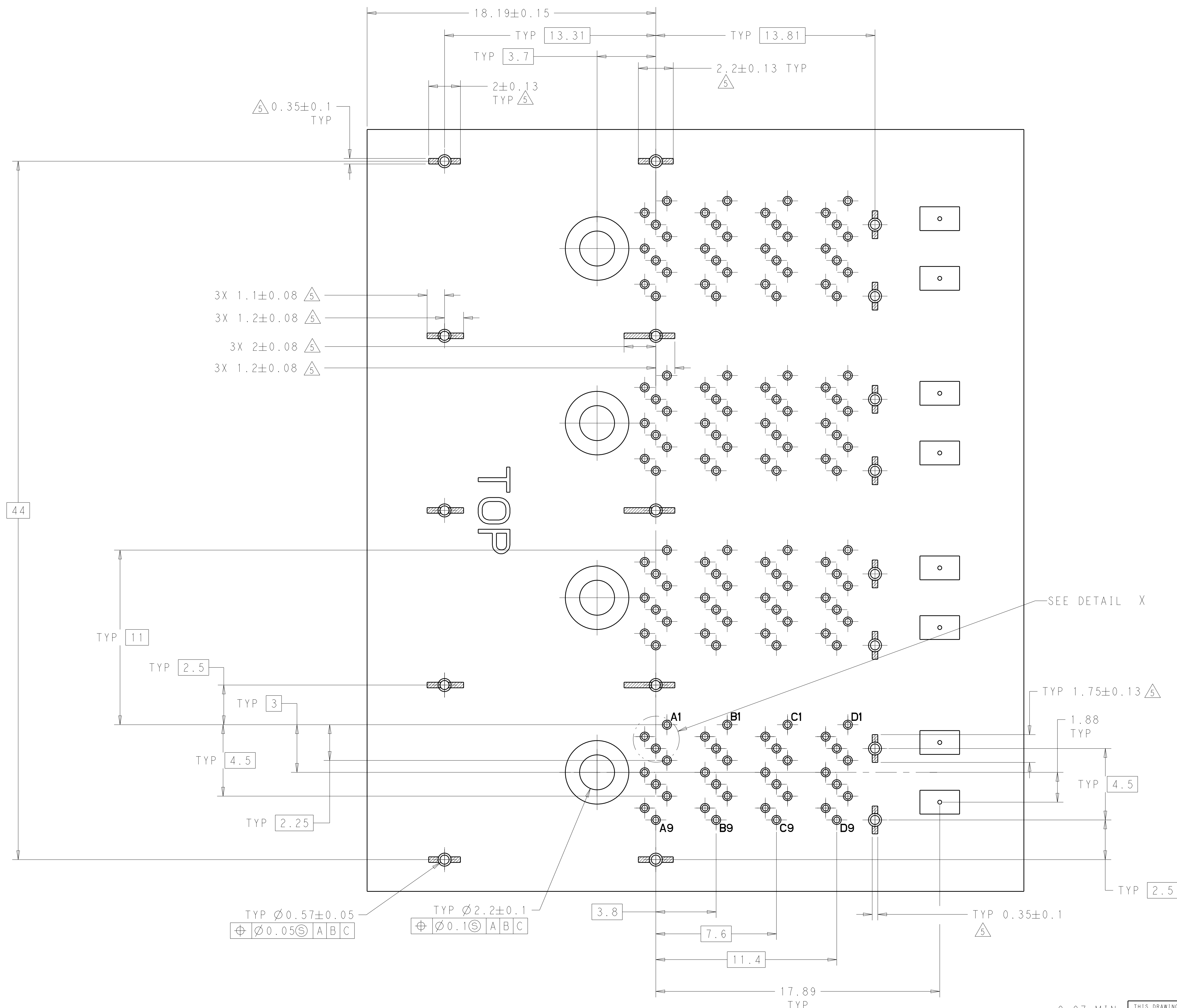
2180736-1 AS SHOWN
 SCALE 6:1



2180736-2 AS SHOWN
 UNSPECIFIED DIMENSOSNS ARE ASME AS 2180736-1
 SCALE 6:1

THIS DRAWING IS A CONTROLLED DOCUMENT.		DWN P. KERLIN 25MAY2011	
		CHK J. SECHRIST 25MAY2011	
DIMENSIONS:		NAME RECEPTACLE ASSEMBLY, MINI-SAS HD, 4X W/ LIGHT PIPES	
mm	TOLERANCES UNLESS OTHERWISE SPECIFIED:	PRODUCT SPEC 108-2462	RESTRICTED TO
	0 PLC ±	APPLICATION SPEC 114-13316	SIZE CAGE CODE DRAWING NO
	1 PLC ±0.25	WEIGHT	A100779C=2180736
	2 PLC ±0.13	Customer Drawing	SCALE 6:1 SHEET 2 OF 4 REV B
	3 PLC ±		
	4 PLC ±		
	ANGLES ±		
MATERIAL	FINISH		

LOC		DIST		REVISIONS			
P.	LTN	DESCRIPTION	DATE	DMN	APVD		
-	-	SEE SHEET 1	-	-	-	-	-

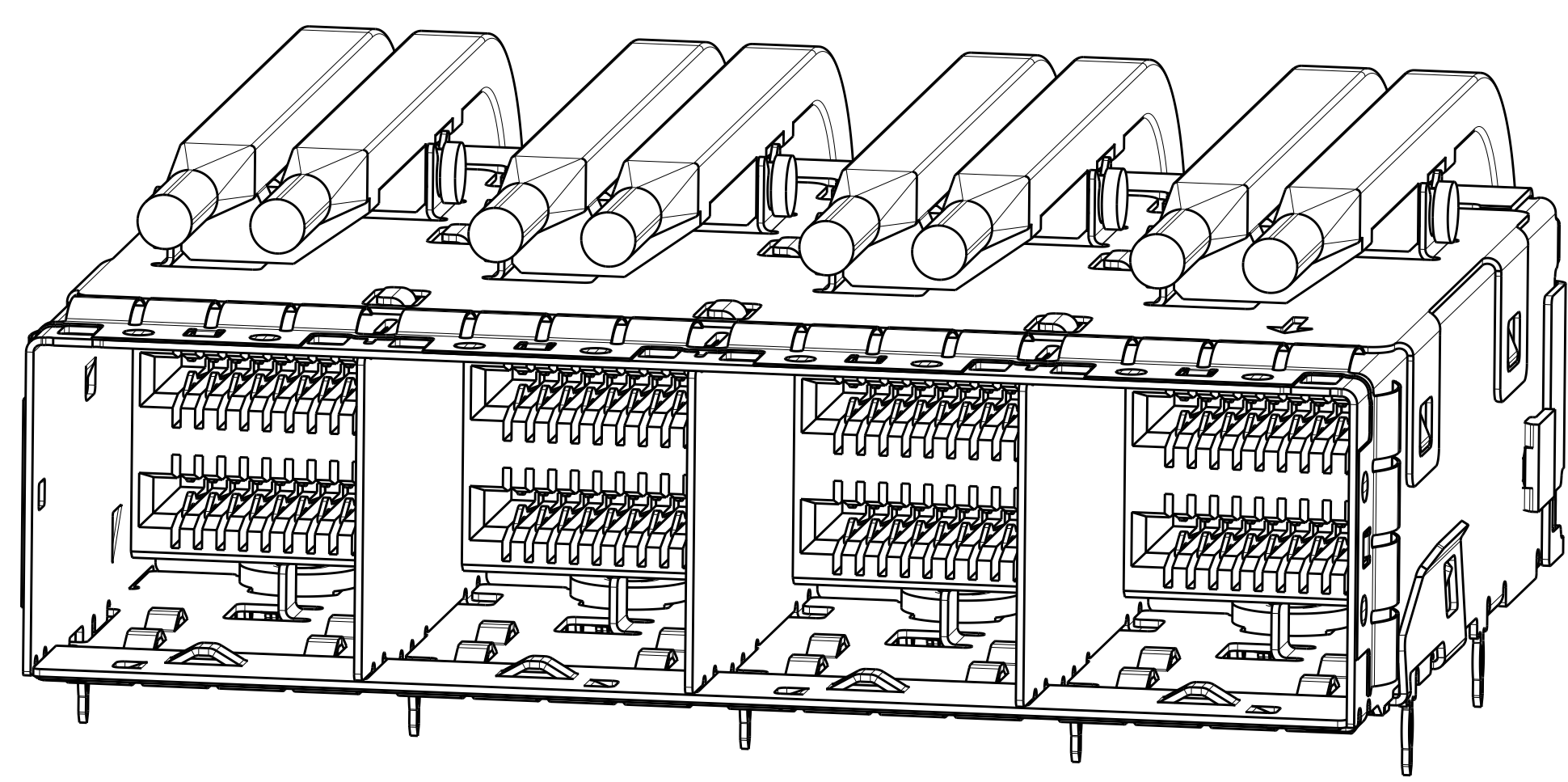
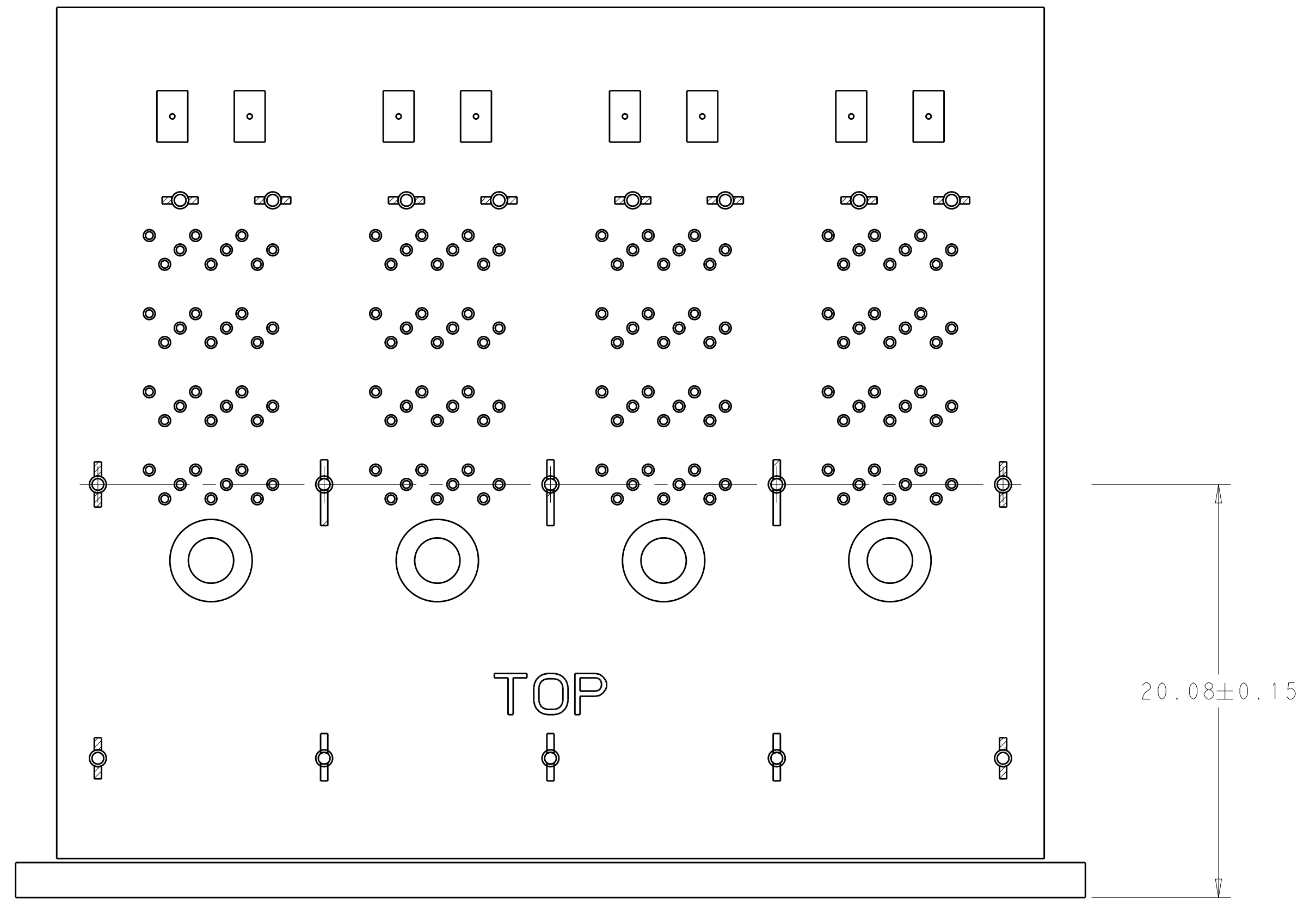
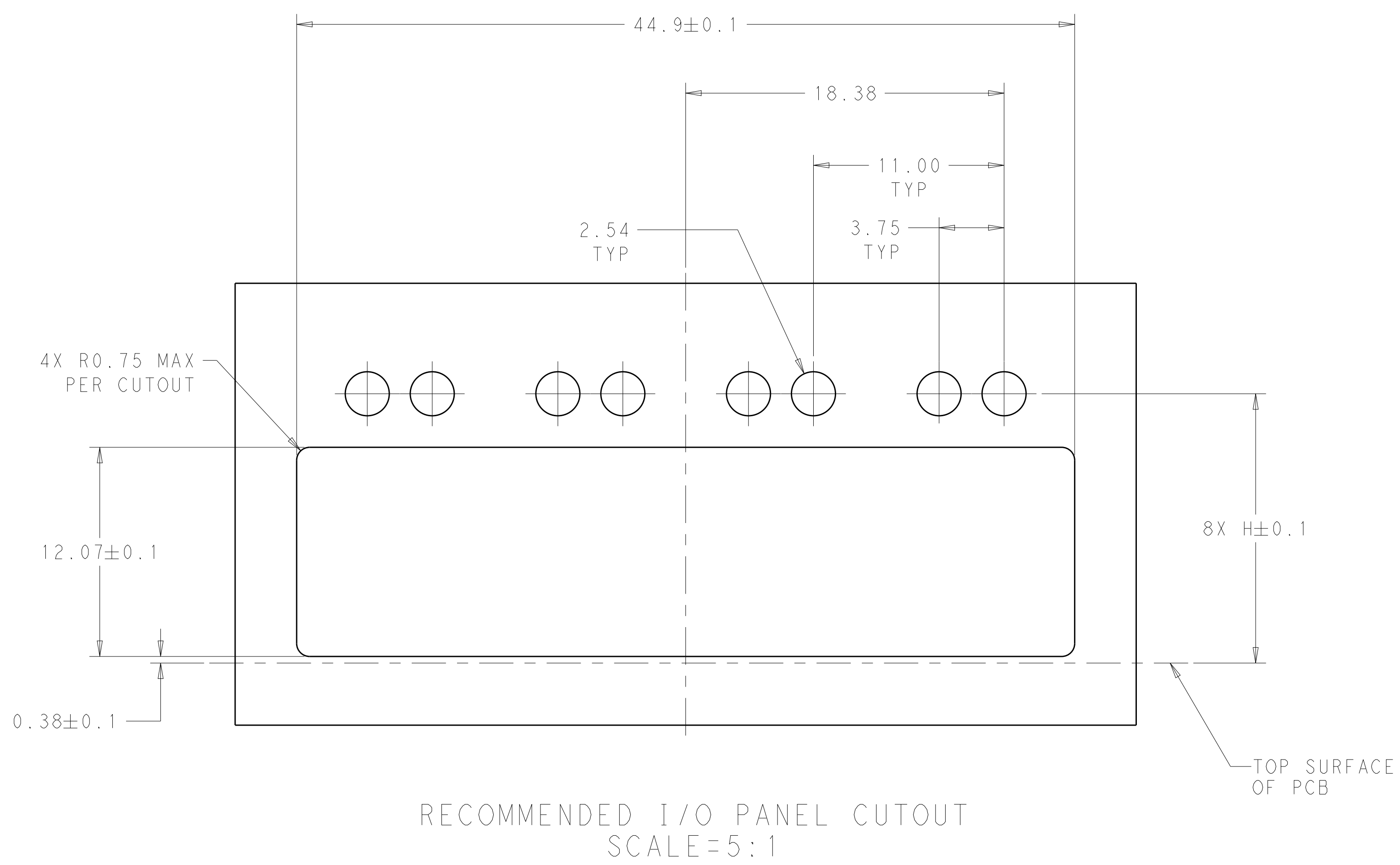


RECOMMENDED PCB LAYOUT

THIS DRAWING IS A CONTROLLED DOCUMENT.		DMN P. KERLIN 25MAY2011	TE Connectivity
DIMENSIONS: mm		CHK J. SECHRIST 25MAY2011	
TOLERANCES UNLESS OTHERWISE SPECIFIED:		APVD	NAME
0 PLC ±0.25	1 PLC ±0.13	PRODUCT SPEC	RECEPTACLE ASSEMBLY, MINI-SAS HD, 4X
2 PLC ±0.13	3 PLC ±0.13	APPLICATION SPEC	W/ LIGHT PIPES
4 PLC ±0.13	ANGLES ±0.1	SIZE	114-13316
MATERIAL	FINISH	WEIGHT	RESTRICTED TO
-	-	Customer Drawing	A100779C=2180736
SCALE 5:1		SHEET 3 OF 4	REV B

LOC	DIST	REV	DATE	BY	CHK	APPV
		1				

REVISIONS		DATE	BY	CHK	APPV
1	SEE SHEET 1				



THIS DRAWING IS A CONTROLLED DOCUMENT.		OWN P. KERLIN 25MAY2011	NAME
DIMENSIONS:		CHK J. SECHRIST 25MAY2011	RECEPTACLE ASSEMBLY, MINI-SAS HD, 4X W/ LIGHT PIPES
mm	0 PLC ± 1 PLC ±0.25 2 PLC ±0.13 3 PLC ± 4 PLC ±	APVD	RESTRICTED TO
TOLERANCES UNLESS OTHERWISE SPECIFIED:		PRODUCT SPEC	
MATERIAL		108-2462	SIZE
FINISH		APPLICATION SPEC	CAGE CODE
		114-13316	DRAWING NO
		WEIGHT	A100779C=2180736
		Customer Drawing	SCALE 5:1 SHEET 4 OF 4 REV B

X-ON Electronics

Largest Supplier of Electrical and Electronic Components

Click to view similar products for [I/O Connectors](#) category:

Click to view products by [TE Connectivity](#) manufacturer:

Other Similar products are found below :

[571763P](#) [58098-0628](#) [72.250.1628.2](#) [72.250.2428.2](#) [74720-0505](#) [76.350.0729.0](#) [76871-1403](#) [FCN-244F080-G/1](#) [FCN-260A9920](#) [PCR-E36PM](#) [PCS-XE26MA+](#) [G38A71314B](#) [DX40-50P\(55\)](#) [1571250010](#) [157-22500-3](#) [MS3471L14-19P L/C](#) [91-569786-35H](#) [172501-4002](#) [172501-6002](#) [FCN-260C008-A/L0](#) [FCN-260C024-AL0](#) [FCN-261Z008](#) [2000314-1](#) [200331-1](#) [PCR-E36FC+](#) [PCS-E28FS+](#) [PCS-XE26SLFD+](#) [PCS-XE26SLFDT+](#) [G730VID08BDC24](#) [U90B2054081210](#) [UE86K842720321](#) [38113800006](#) [DP3AR020WQ1R200](#) [Z4.102.0680.0](#) [500-1040](#) [500-1052](#) [500-1054](#) [ZP-4008-66L](#) [0709821002](#) [10-565995-597N](#) [DX40-20P\(55\)](#) [5554841-1](#) [MS3474W18-8P-LC*](#) [U90B3054061110](#) [U65-E04-4020](#) [ZPF000000000097891](#) [557-262M2-06C](#) [747360449](#) [10099439-003C-TRLF](#) [10137239-0021LF](#)