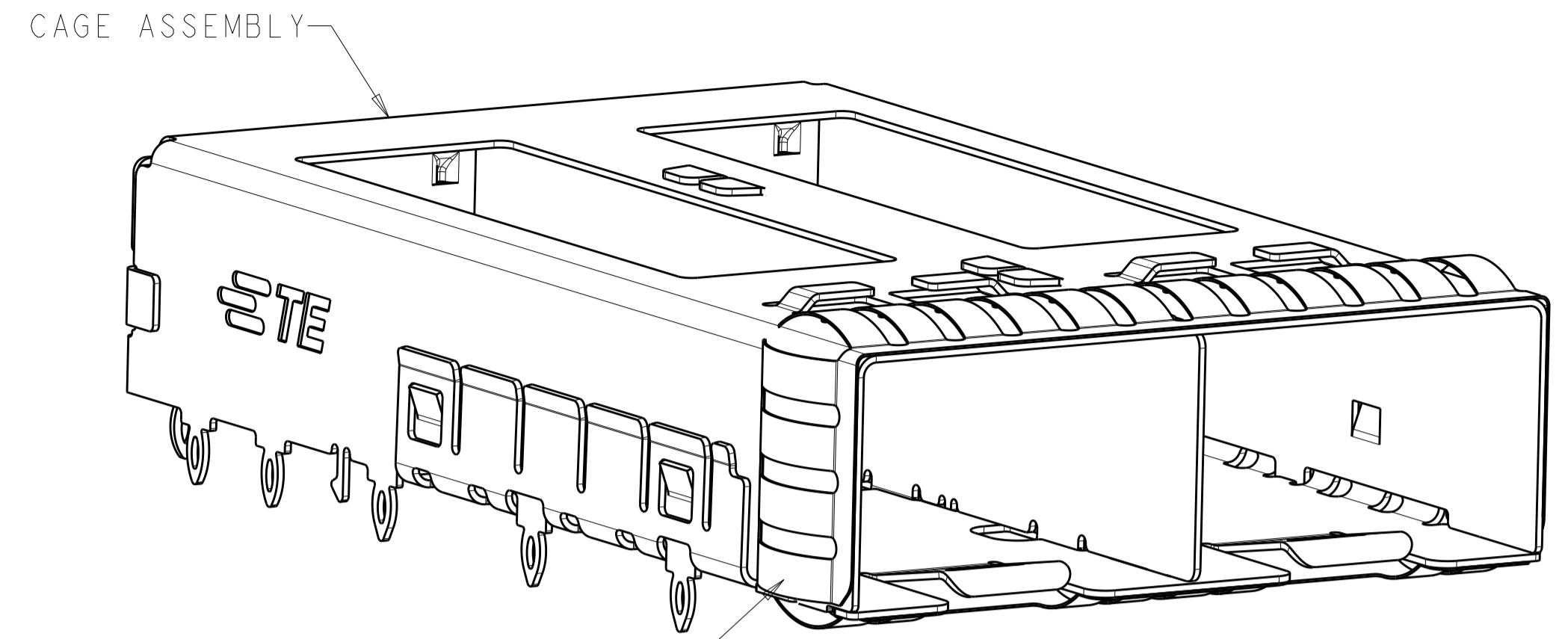
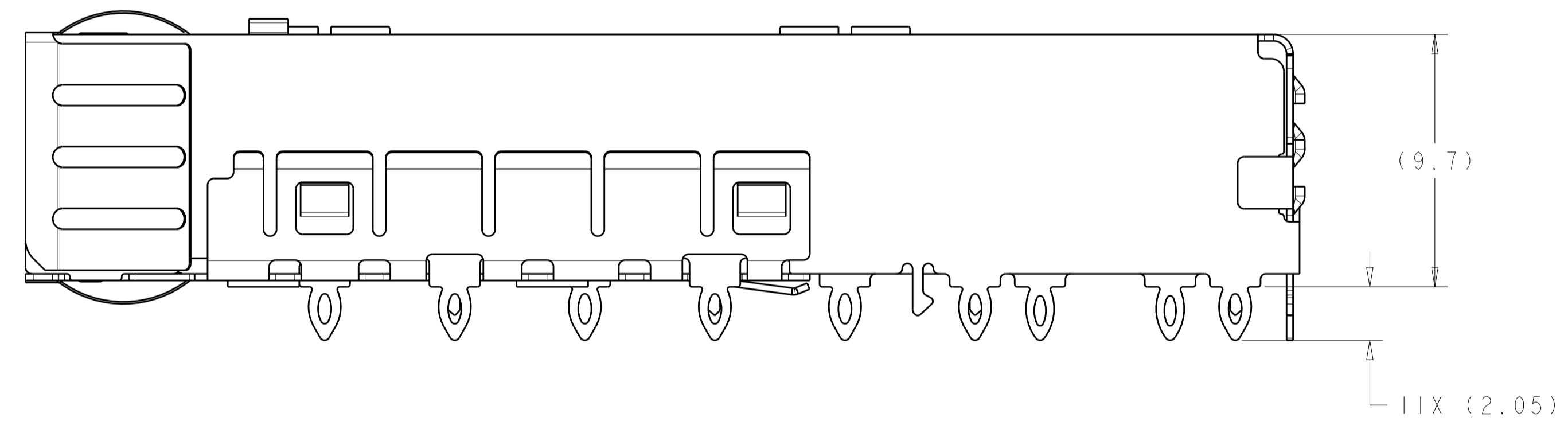
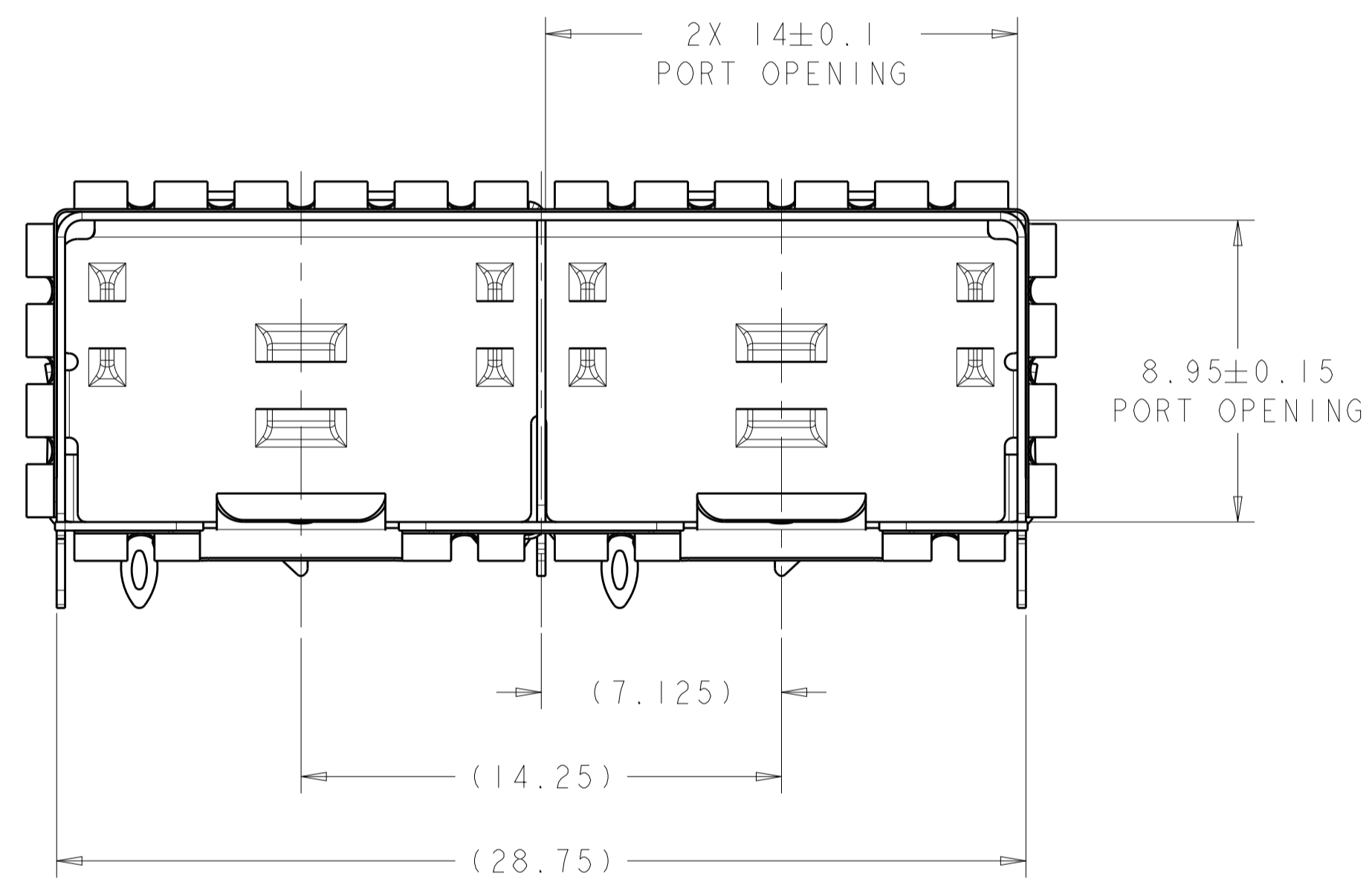


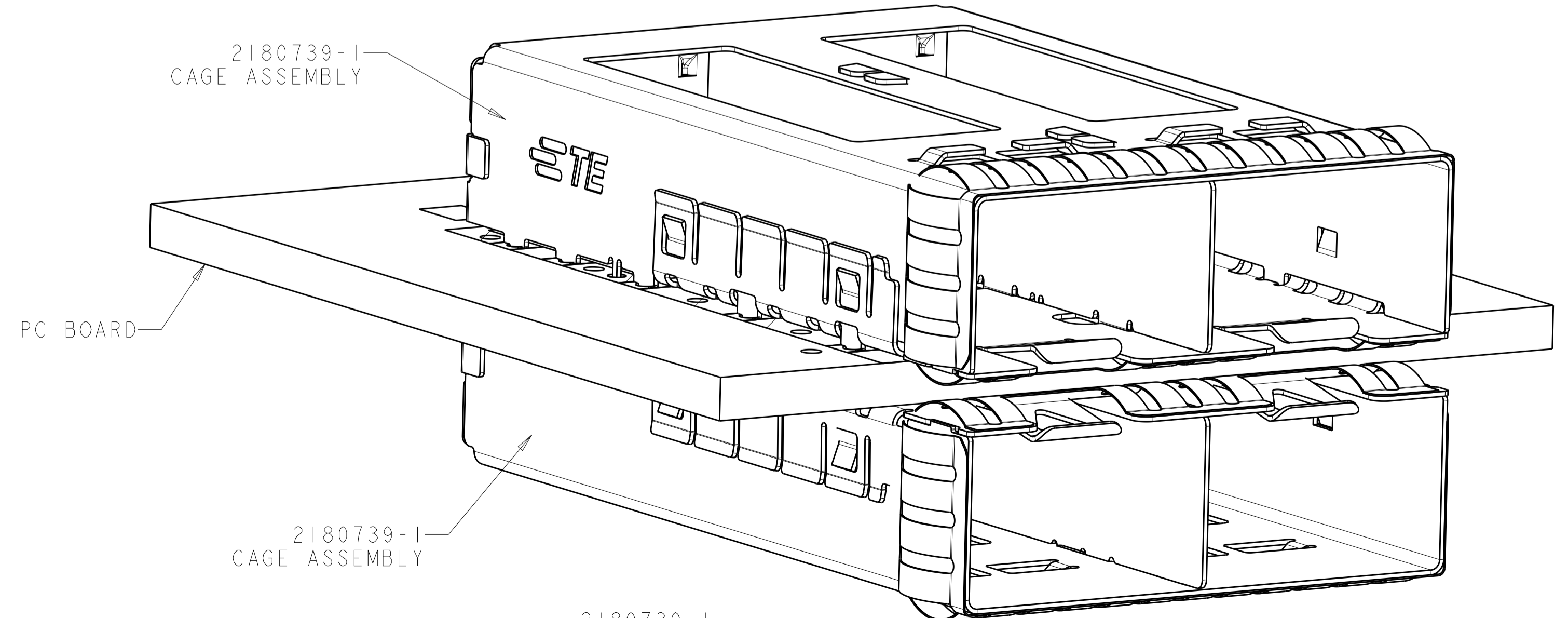
LOC	DIST	REVISIONS					
GP	00	P	LTN	DESCRIPTION	DATE	DMN	APVD
		A		RELEASED PER ECO-12-013192	09OCT2012	BMM	MRS
		A1		RELEASED PER ECO-14-005063	16DEC2013	JZ	SH
		A2		REVISED PER ECR-18-016039	19OCT2018	IT	SH



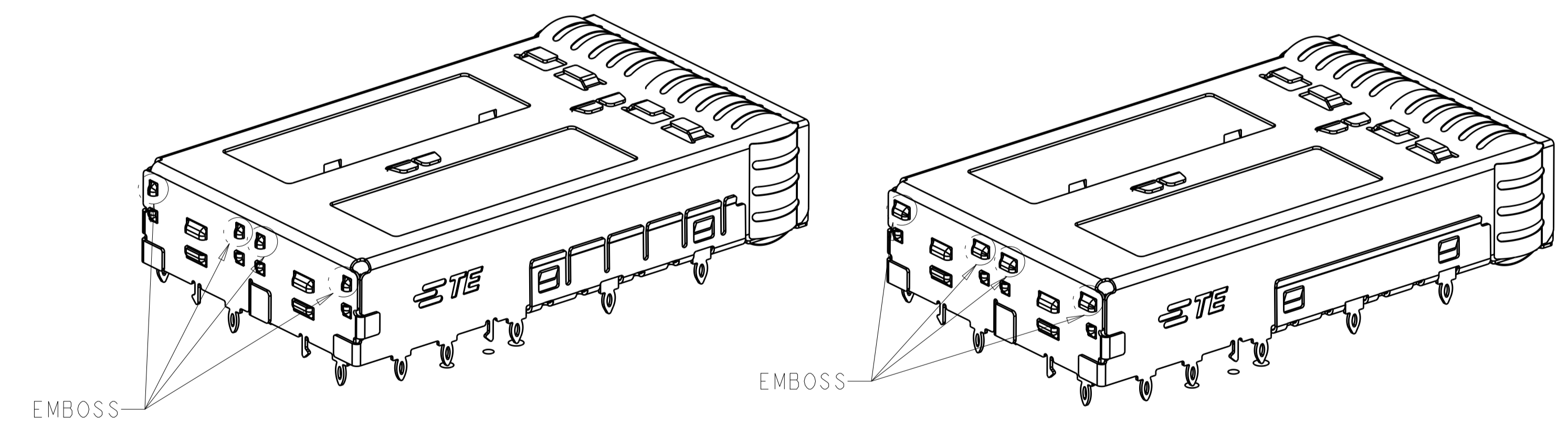
2180739-1  
SCALE 5:1



- △ MATERIAL:  
CAGE ASSEMBLY: 0.25mm THICK NICKEL SILVER ALLOY  
EMI SPRINGS: COPPER ALLOY
- △ FINISH:  
SPRINGS: MINIMUM OF 0.8mm MATTE TIN PLATED OVER MINIMUM OF 0.8um NICKEL UNDERPLATE.  
NON-PLATED EDGES PERMISSIBLE.
- △ DATUM AND BASIC DIMENSIONS ESTABLISHED BY CUSTOMER.
- 4. MATES WITH SFP MSA COMPLIANT RECEIVERS.
- △ PADS AND VIAS CHASSIS GROUND.
- 6. INTERPRETATION OF DATUM REFERENCE FRAME IN ACCORDANCE WITH SECT 4.4.1.1 OR ASME Y14.5M-1994.
- △ MINIMUM PC BOARD THICKNESS:  
SINGLE SIDED: 1.5mm  
DOUBLE SIDED: 2.25mm
- △ HOLE PATTERN REPEATS FOR EACH PORT, SPACING BETWEEN PORTS IS 14.25mm.
- △ REFERENCE APPLICATION SPEC. 114-13120, HOLE A, FOR RECOMMENDED DRILL HOLE DIAMETER AND PLATING THICKNESS.
- △ REFERENCE APPLICATION SPEC. 114-13120, HOLE B, FOR RECOMMENDED DRILL HOLE DIAMETER AND PLATING THICKNESS.
- 11. CERTAIN MATING TRANCEIVERS MAY REQUIRE ADDITIONAL PCB THICKNESS THAT WOULD NEED TO BE DETERMINED BY THE CUSTOMER.
- △ PRODUCT COMPLIES WITH SPECIFICATION SFF-8433, IMPROVED PLUGGABLE FORM FACTOR FOR SFP+ GANGED CAGES.



2180739-1  
MOUNTED BELLY TO BELLY  
SCALE 5:1



2180739-1

2180739-3  
SAME AS 2180739-1,  
EXCEPT FOUR EMBOSS AND SIDE TABS

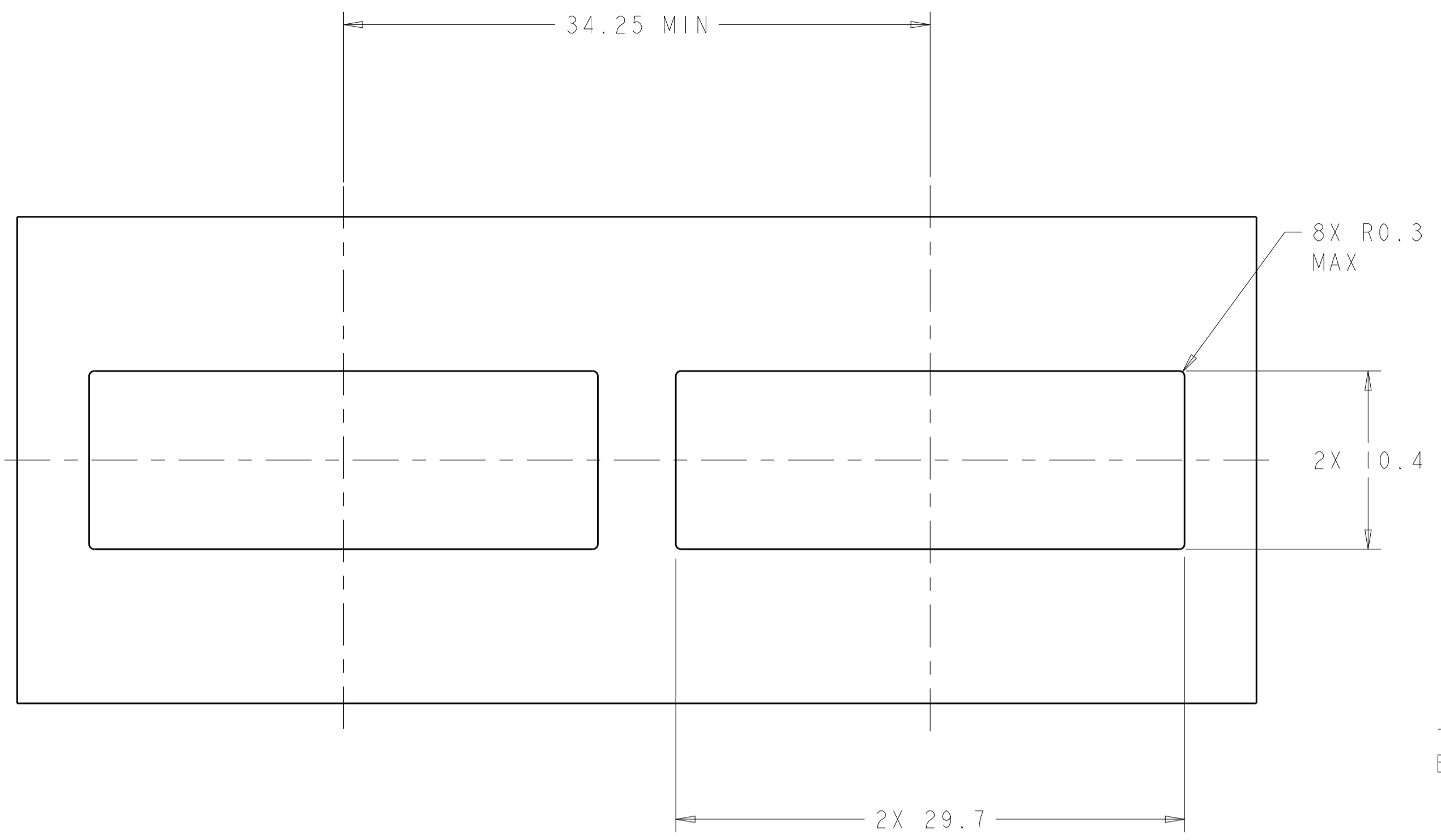
2180739-3
2180739-1
PART NUMBER

THIS DRAWING IS A CONTROLLED DOCUMENT.		DMN: B. MATTHEWS, 24MAY2011	TE Connectivity
DIMENSIONS: mm		CHK: M. SCHMITT, 24MAY2011	
TOLERANCES UNLESS OTHERWISE SPECIFIED:		APVD: M. SCHMITT, 24MAY2011	NAME: SFP+ ENHANCED 1X2 CAGE ASSEMBLY, PRESS-FIT, EMI SPRINGS
0 PLC	±0.13	PRODUCT SPEC	
1 PLC	±0.1	108-2364	SIZE: CAGE CODE DRAWING NO. RESTRICTED TO A1 00779 C=2180739
2 PLC	±0.08	APPLICATION SPEC	
3 PLC	±0.05	114-13120	Customer Drawing SCALE 6:1 SHEET 1 OF 4 REV A2
4 PLC	±0.05	WEIGHT	
ANGLES	±0.1		
MATERIAL			
FINISH			

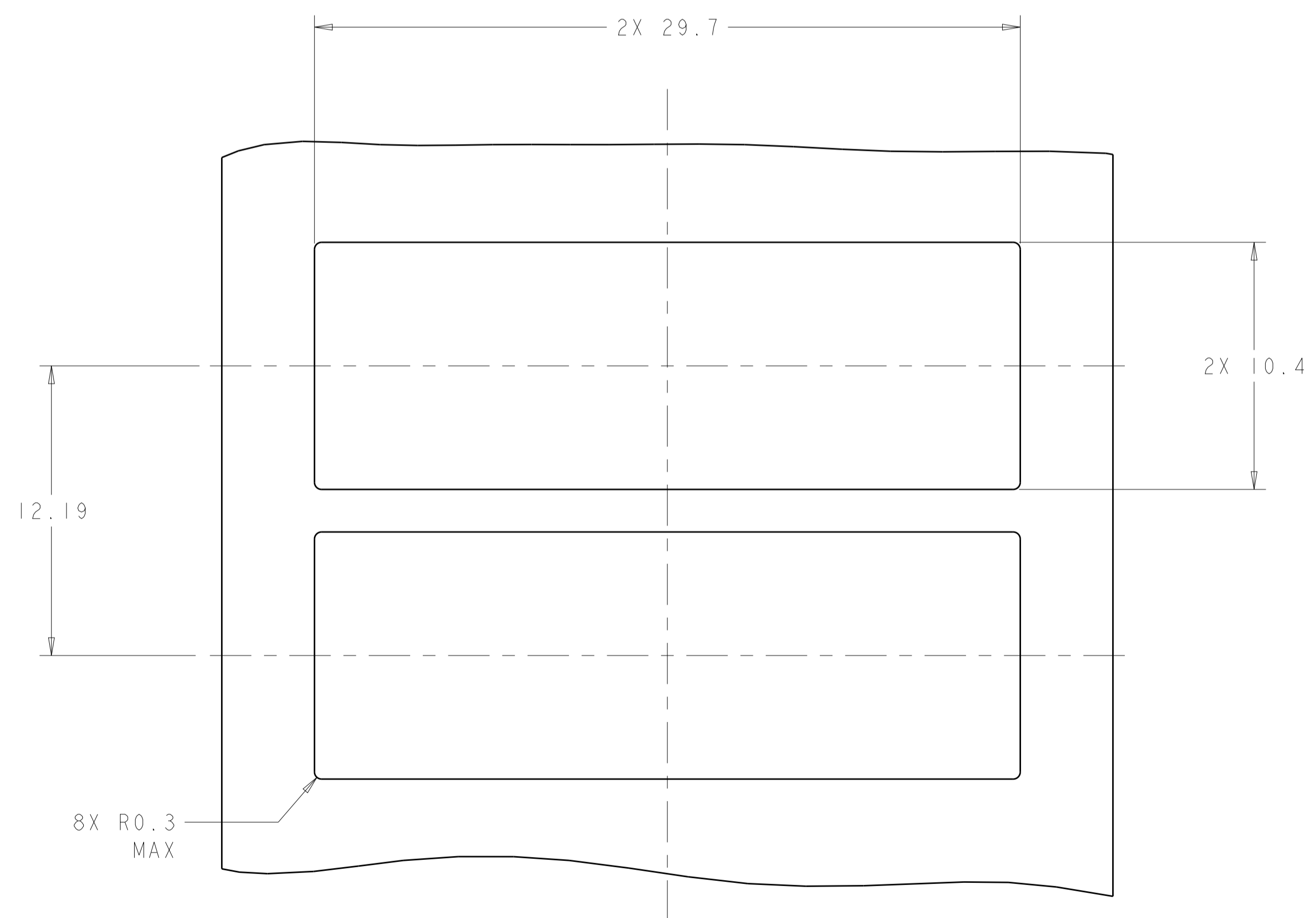
LOC	DIST	REV	DATE	BY	APPV
GP	00				

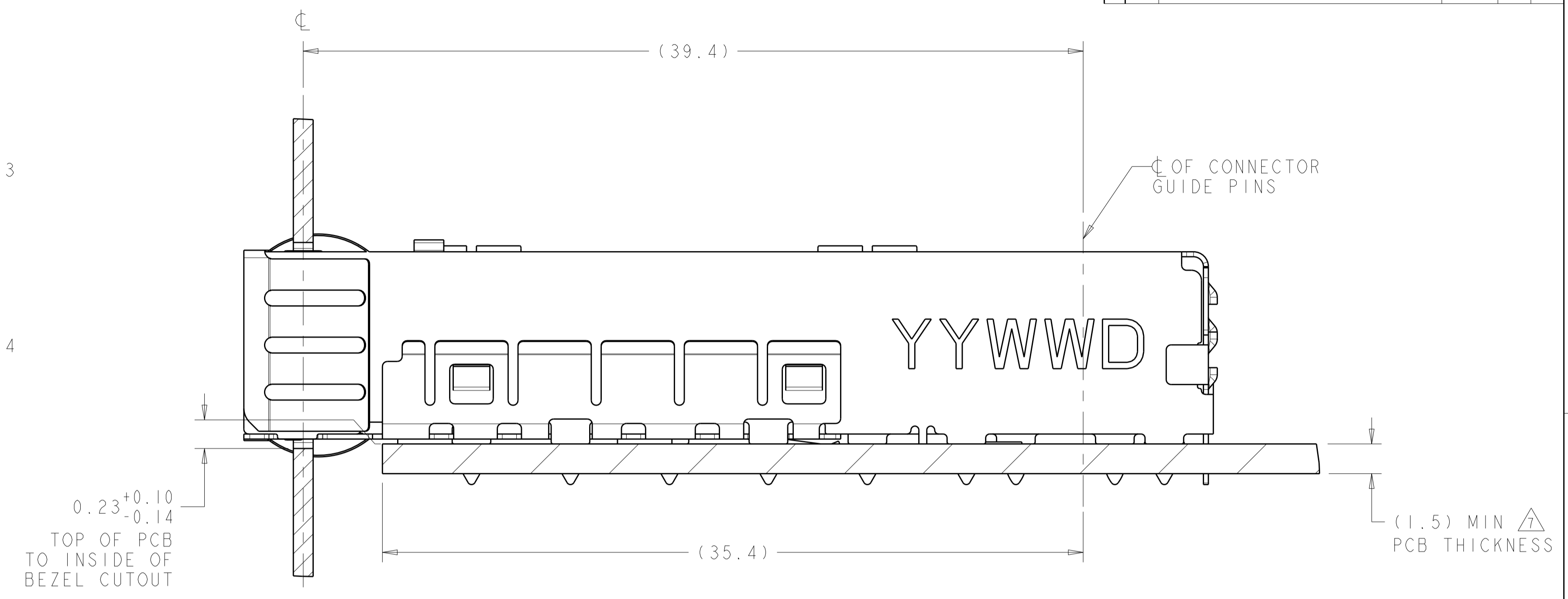
REVISIONS					
REV	DATE	BY	APPV	DESCRIPTION	DATE
-	-	-	-	SEE SHEET 1	-



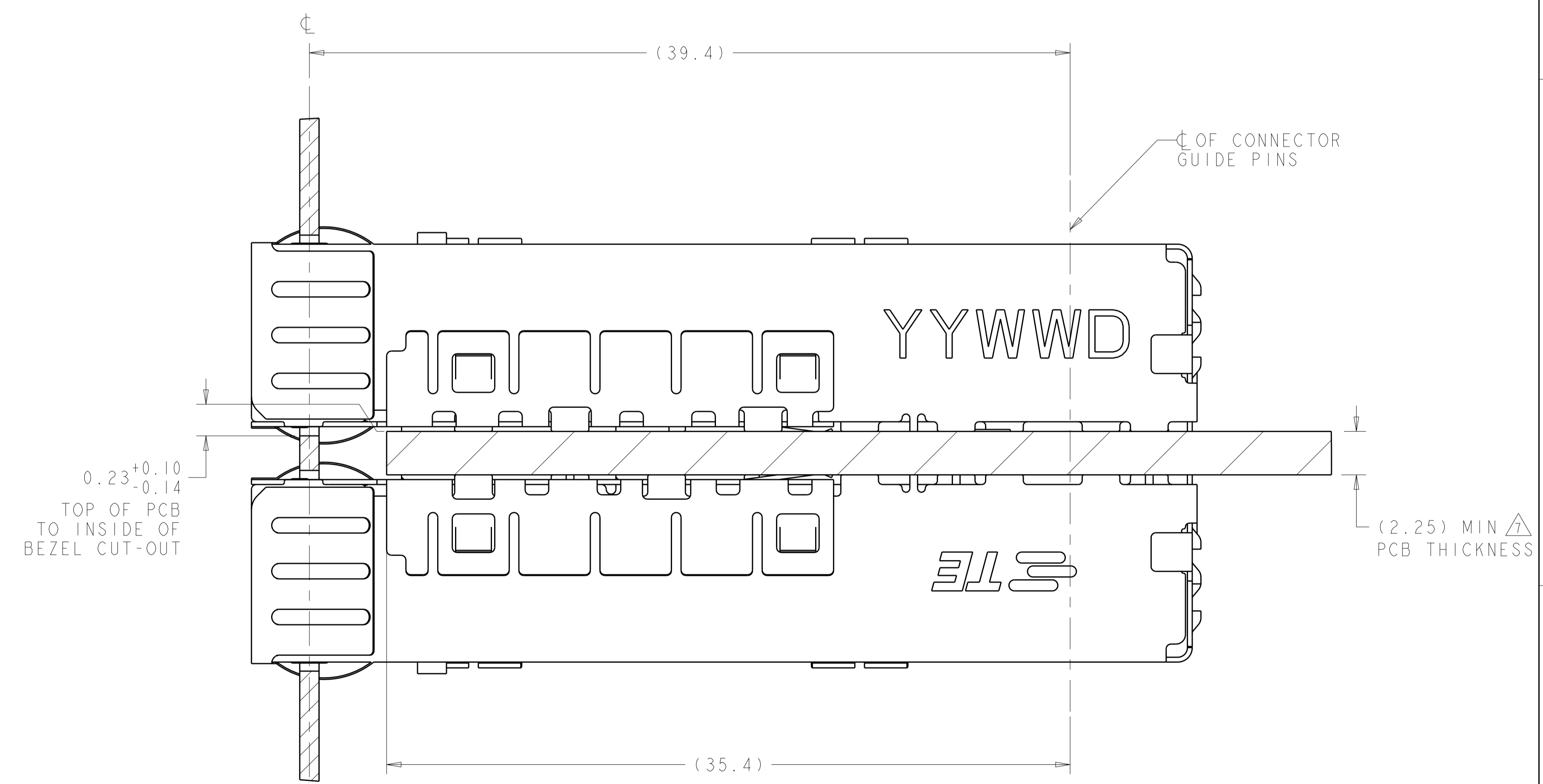
RECOMMENDED BEZEL CUT-OUT  
 SINGLE SIDED APPLICATIONS  
 SCALE 4:1



RECOMMENDED BEZEL CUT-OUT  
 BELLY TO BELLY APPLICATIONS



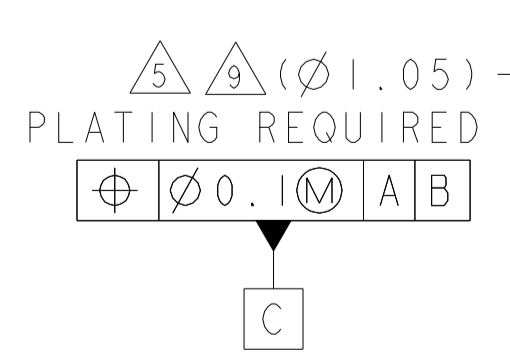
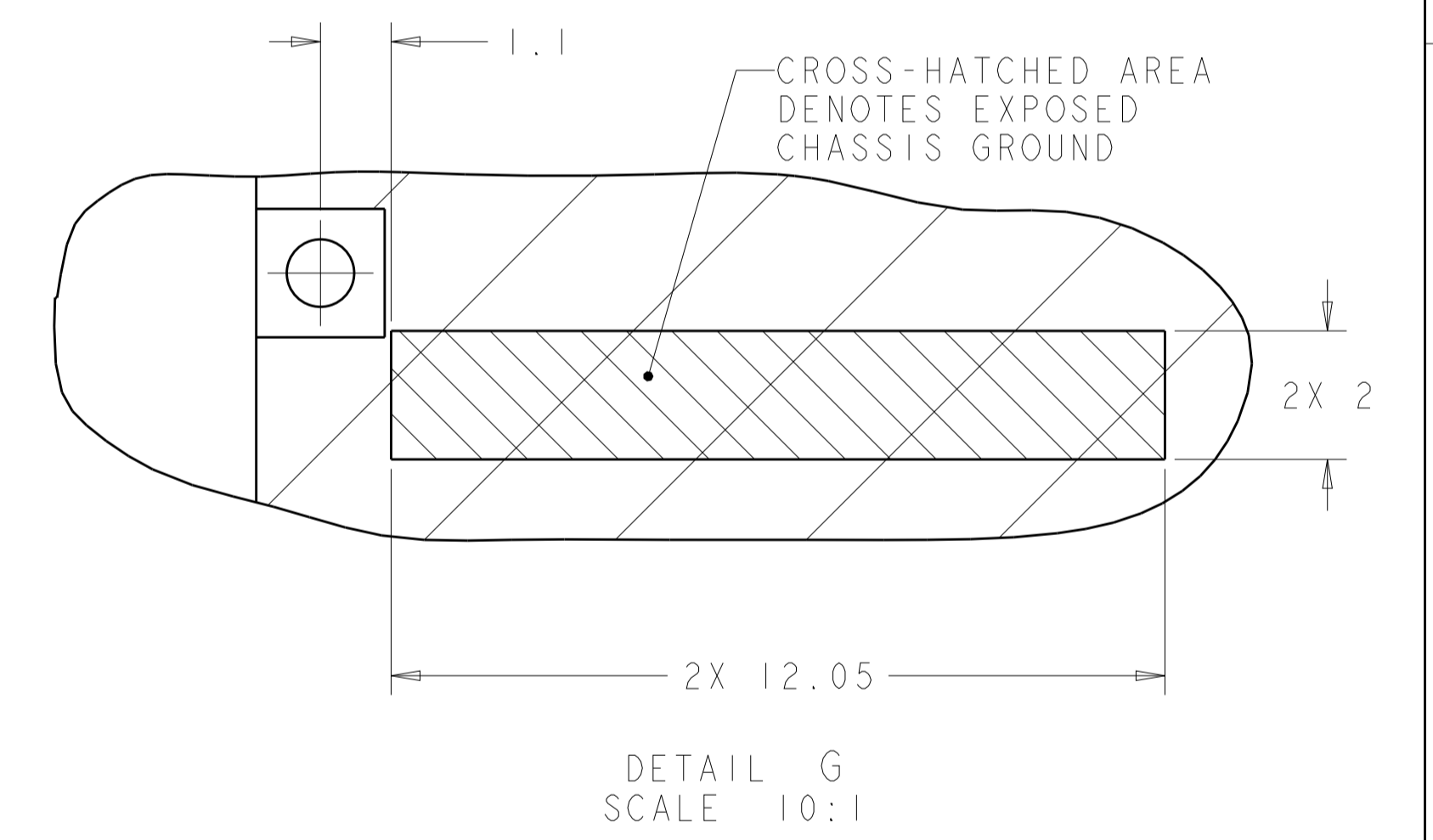
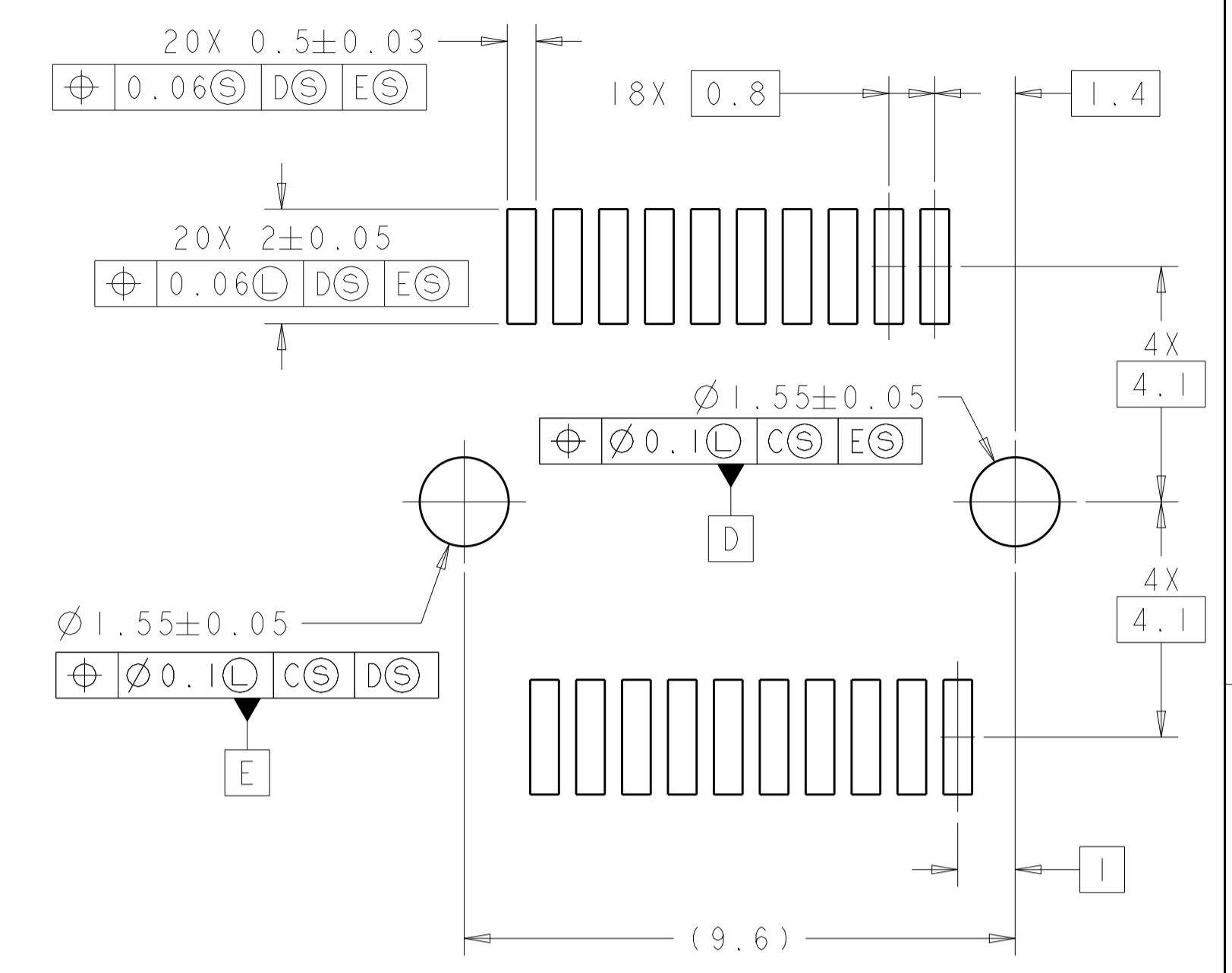
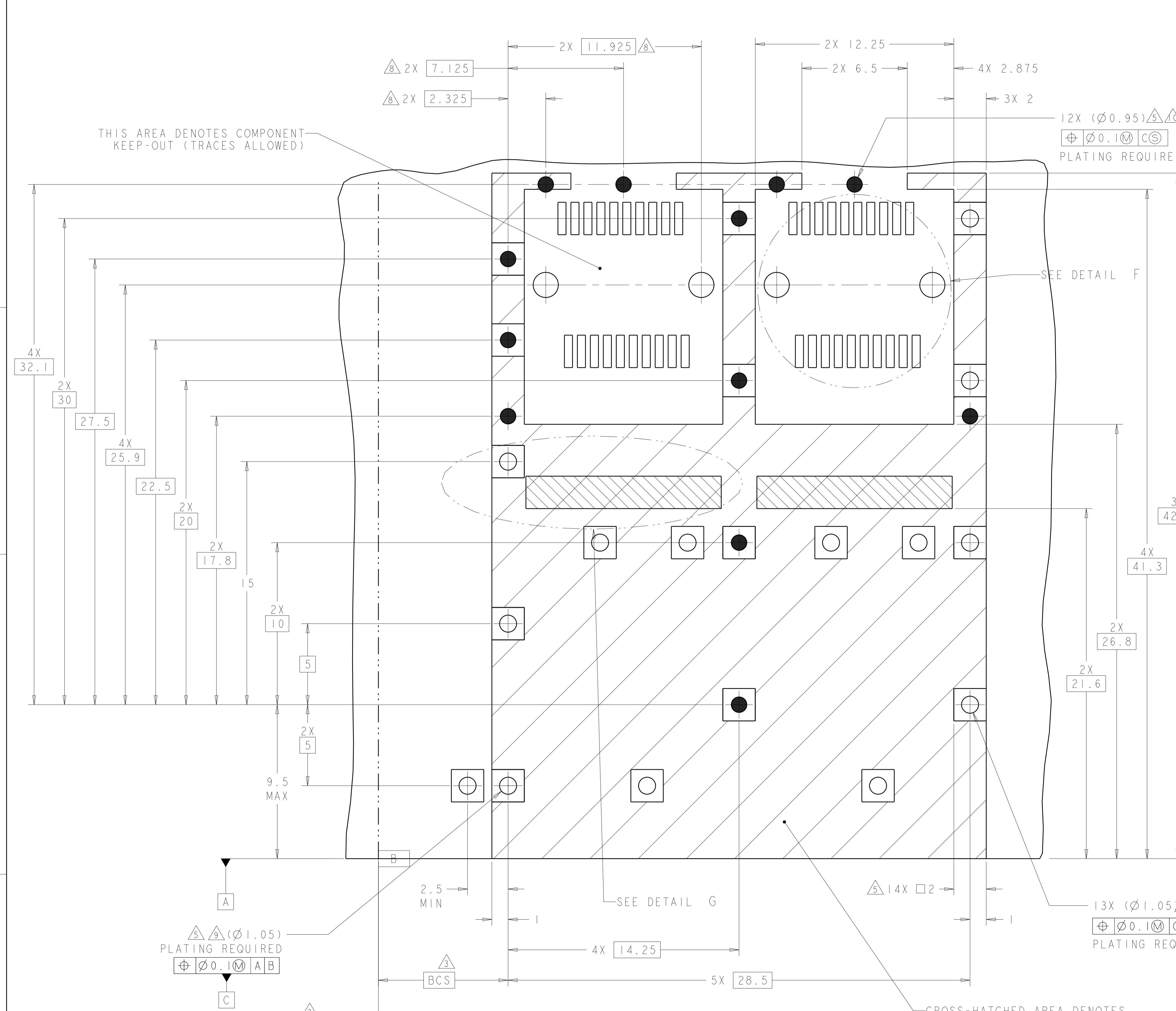
2180739-1  
 MOUNTED ON PC BOARD  
 SHOWN THRU RECOMMENDED BEZEL



2180739-1  
 MOUNTED BELLY TO BELLY ON PC BOARD  
 SHOWN THRU RECOMMENDED BEZEL

THIS DRAWING IS A CONTROLLED DOCUMENT.		OWN: B. MATTHEWS 24MAY2011	TE Connectivity
DIMENSIONS: mm		CHK: M. SCHMITT 24MAY2011	
TOLERANCES UNLESS OTHERWISE SPECIFIED:		APVD: M. SCHMITT 24MAY2011	NAME: SFP+ ENHANCED 1X2 CAGE ASSEMBLY, PRESS-FIT, EMI SPRINGS
0 PLC ±0.13	1 PLC ±0.1	PRODUCT SPEC 108-2364	SIZE: CAGE CODE DRAWING NO. RESTRICTED TO
2 PLC ±0.08	3 PLC ±0.05	APPLICATION SPEC 114-13120	A100779C=2180739
4 PLC ±0.05	ANGLES ±0.1	WEIGHT	SCALE 6:1 SHEET 2 OF 4 REV A2
MATERIAL	FINISH	Customer Drawing	

LOC	DIST	REV	DATE	BY	APPV
GP	00				



RECOMMENDED PCB CONFIGURATION WITH KEEP-OUT AREAS SINGLE SIDED APPLICATIONS SCALE 8:1

CROSS-HATCHED AREA DENOTES COMPONENT AND TRACE KEEP-OUT (EXCEPT CHASSIS GROUND)

THIS DRAWING IS A CONTROLLED DOCUMENT.		OWN: B. MATTHEWS, 24MAY2011	TE Connectivity
DIMENSIONS: mm		CHK: M. SCHMITT, 24MAY2011	
TOLERANCES UNLESS OTHERWISE SPECIFIED:		APV: M. SCHMITT, 24MAY2011	NAME: SFP+ ENHANCED 1X2 CAGE ASSEMBLY, PRESS-FIT, EMI SPRINGS
0 PLC ±0.13	1 PLC ±0.1	PRODUCT SPEC 108-2364	SIZE: CAGE CODE DRAWING NO. RESTRICTED TO
2 PLC ±0.08	3 PLC ±0.05	APPLICATION SPEC 114-13120	A100779C=2180739
4 PLC ±0.05	ANGLES ±0.1	WEIGHT	SCALE 6:1 SHEET 3 OF 4 REV A2
MATERIAL	FINISH	Customer Drawing	



## X-ON Electronics

Largest Supplier of Electrical and Electronic Components

*Click to view similar products for [I/O Connectors](#) category:*

*Click to view products by [TE Connectivity](#) manufacturer:*

Other Similar products are found below :

[571763P](#) [58098-0628](#) [72.250.1628.2](#) [72.250.2428.2](#) [74720-0505](#) [76.350.0729.0](#) [76871-1403](#) [FCN-244F080-G/1](#) [FCN-260A9920](#) [PCR-E36PM](#) [PCS-XE26MA+](#) [G38A71314B](#) [1571250010](#) [157-22500-3](#) [MS3471L14-19P L/C](#) [172501-4002](#) [172501-6002](#) [FCN-260C008-A/L0](#) [FCN-260C024-AL0](#) [FCN-261Z008](#) [2000314-1](#) [200331-1](#) [PCR-E36FC+](#) [PCS-E28FS+](#) [PCS-XE26SLFD+](#) [PCS-XE26SLFDT+](#) [G730VID08BDC24](#) [U90B2054081210](#) [38113800006](#) [DP3AR020WQ1R200](#) [Z4.102.0680.0](#) [500-1040](#) [500-1052](#) [500-1054](#) [ZP-4008-66L](#) [0709821002](#) [DX40-20P\(55\)](#) [5554841-1](#) [MS3474W18-8P-LC\\*](#) [U90B3054061110](#) [U65-E04-4020](#) [ZPF000000000097891](#) [747360449](#) [10099439-003C-TRLF](#) [10137239-0021LF](#) [E9320-001-01](#) [10137239-0011LF](#) [70289-001LF](#) [70.060.1028.0](#) [109029-ZZ](#)