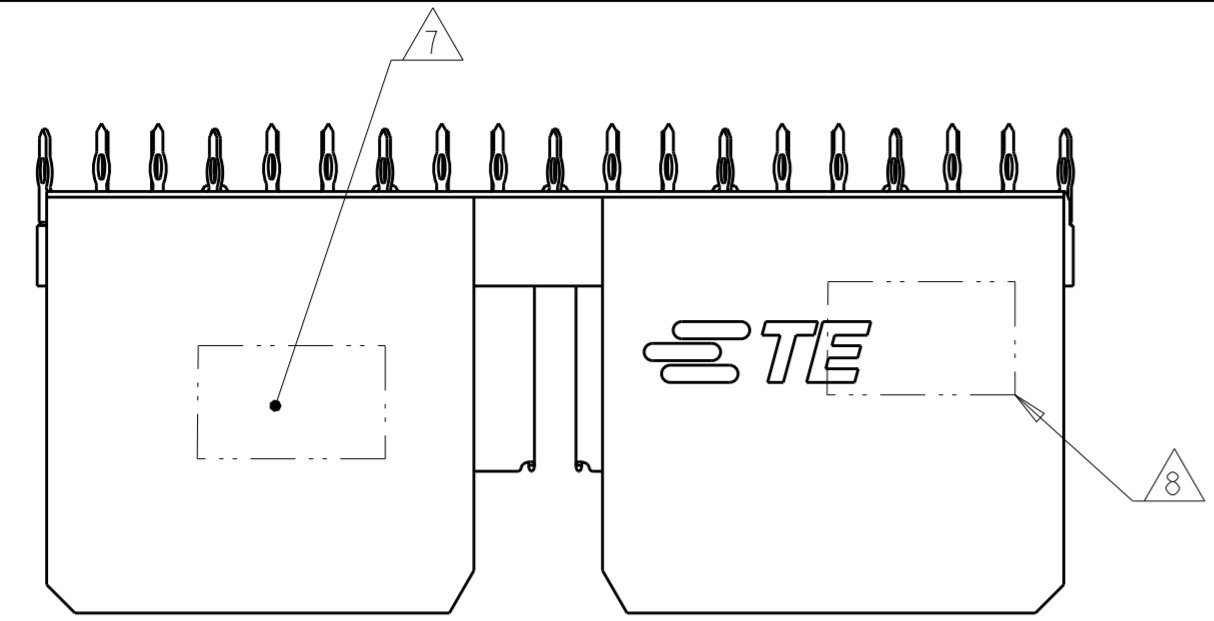
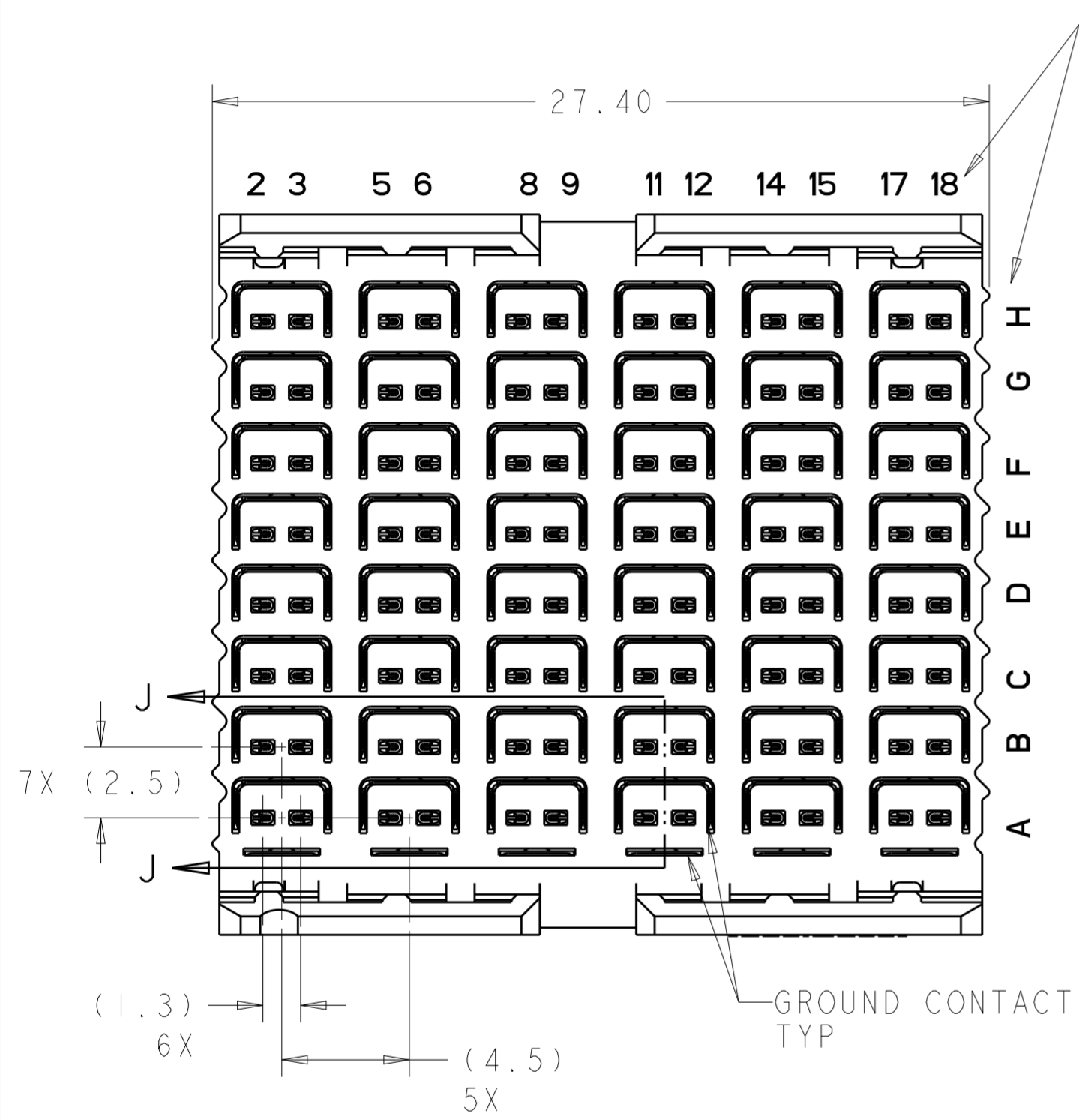


THIS DRAWING IS UNPUBLISHED. RELEASED FOR PUBLICATION 20  
 © COPYRIGHT 20 TE CONNECTIVITY ALL RIGHTS RESERVED.

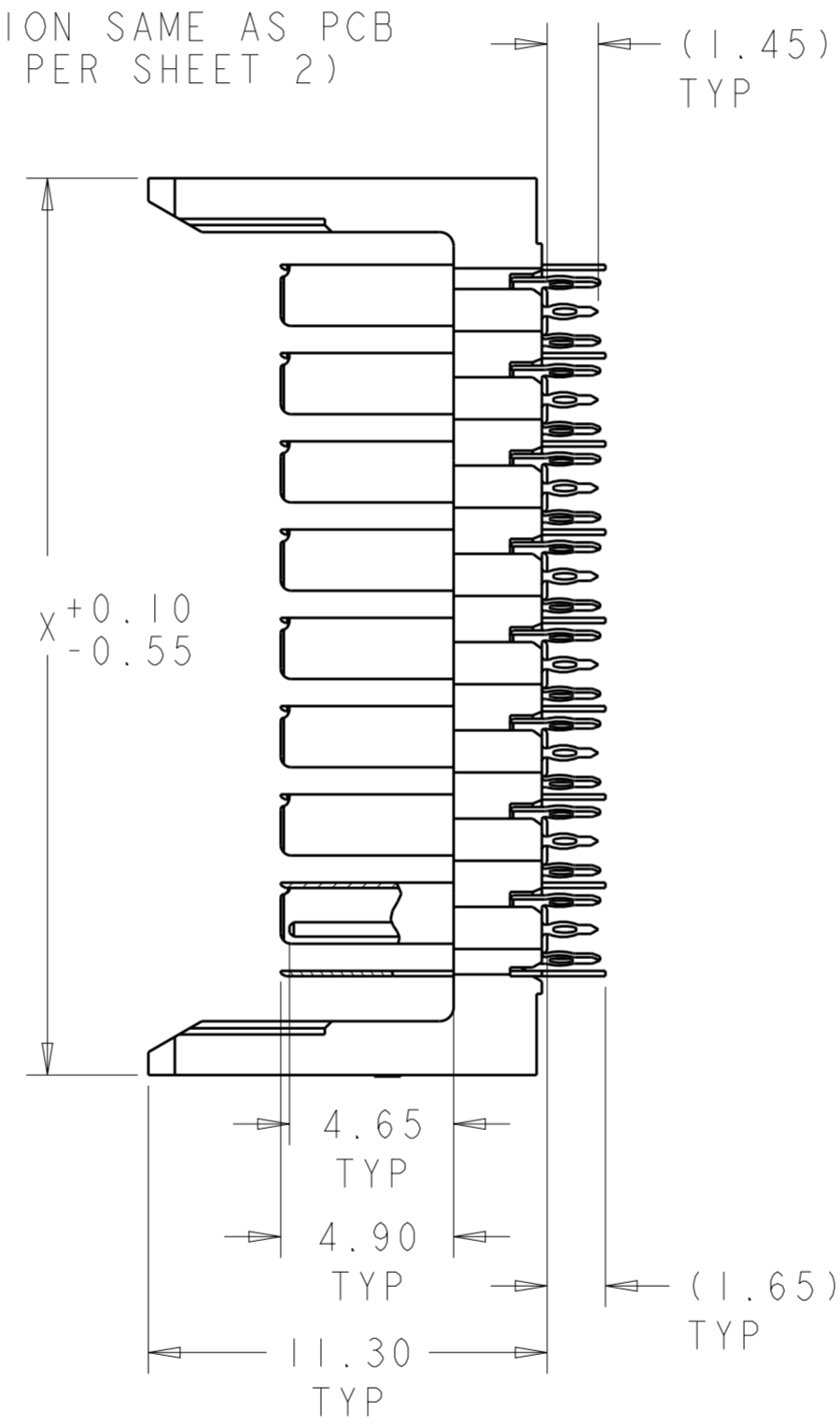
LOC	DIST	REVISIONS					
GP	00	P	LTR	DESCRIPTION	DATE	DWN	APVD
		B		UPDATED FHS ON NOTE 4	14NOV2013	J.G	C.Z
		C		UPDATE P/N	03JUL2014	J.G	C.Z
		D		REVISED PER ECO-17-006848	10MAY2017	JM	SS
		E		REVISED PER ECO-19-001409	01FEB2019	AP	RP



- ① HOUSING: THERMOPLASTIC, UL 94V-0, BLACK. CONTACT: COPPER ALLOY.
- ② CONFORMS TO REQUIREMENTS OF TE PRODUCT SPEC 108-2413, BASED ON TELECORDIA GR-1217-CORE FOR SYSTEM QUALITY LEVEL III APPLICATIONS IN CONTROLLED ENVIRONMENTS (CENTRAL OFFICE).
- ③ CONSULT APPLICATION SPECIFICATION 114-13301.
- ④ PLATED THRU HOLE REQUIREMENTS:  
 FINISHED HOLE =  $\varnothing 0.344 \pm 0.046$ mm  
 DRILLED HOLE BEFORE PLATING =  $\varnothing 0.420 \sim 0.435$ mm  
 COPPER THICKNESS = 0.042mm REF
- ⑤ PLATED THRU HOLE DIMENSIONS APPLY TO 1.00mm DEPTH FROM MOUNT SIDE OF BOARD.
- ⑥ HOLE POSITION TOLERANCE APPLIES WITHIN PATTERN FOR CONNECTOR PATTERN TO CONNECTOR PATTERN, A 0.12(M) POSITION TOLERANCE APPLIES.
- ⑦ CONNECTOR MARKED WITH PART NUMBER, DATE CODE, AND OPTIONAL MANUFACTURING LOCATION IDENTIFICATION CODE IN APPROXIMATE AREA SHOWN.
- ⑧ CONNECTOR MARKED WITH 2D BARCODE IN APPROXIMATE AREA SHOWN.

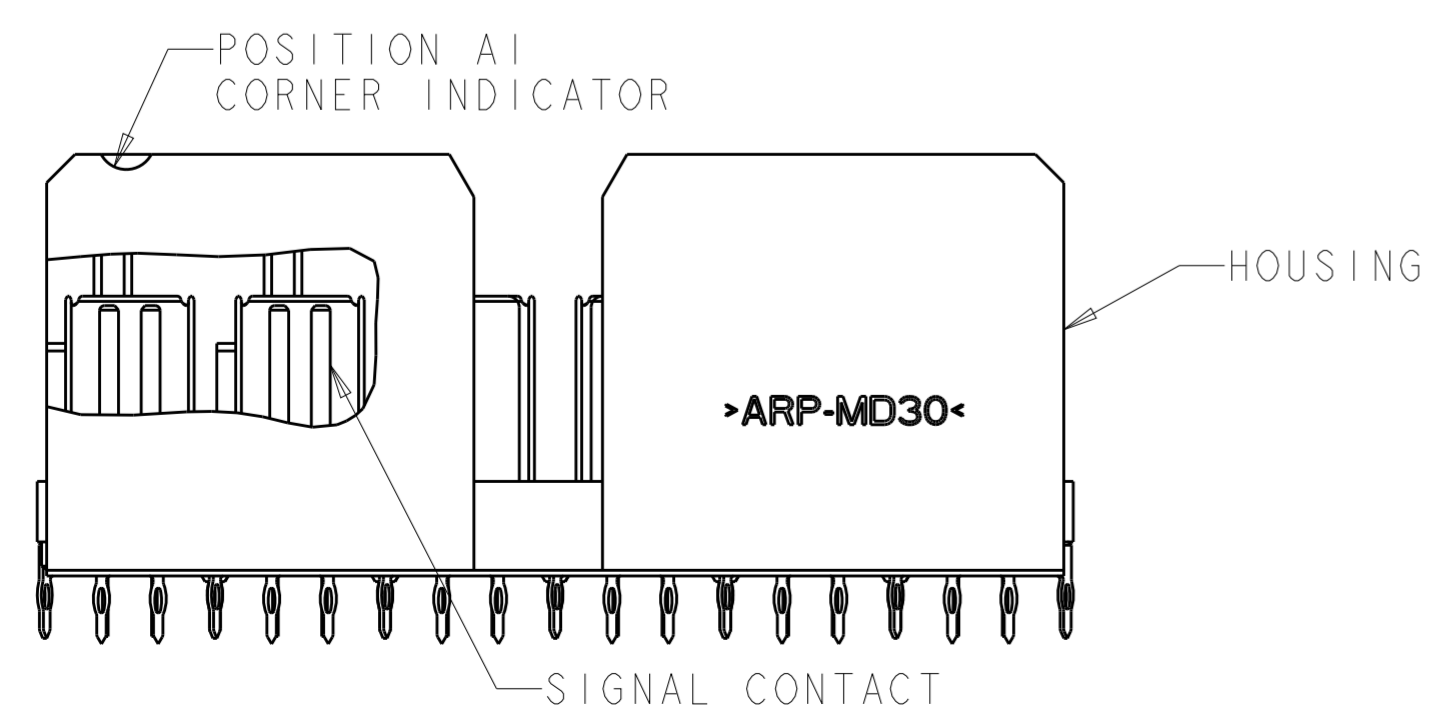


COLUMN NUMBER AND ROW LETTER (LOCATION SAME AS PCB LAYOUT PER SHEET 2)



SECTION J-J

ACTIVE	96	4.125	25.4	TIN	2180822-5
ACTIVE	96	3.625	24.4	TIN	2180822-4
ACTIVE	96	3.625	24.4	TIN-LEAD	2180822-2
ACTIVE	96	4.125	25.4	TIN-LEAD	2180822-1
PART STATUS	SIGNAL CONTACT QTY REF	Y	X	PRESS FIT TAIL PLATING	PART NO



THIS DRAWING IS A CONTROLLED DOCUMENT.

DWN	M. SHIRK	15JUN2011
CHK	N. SWANGER	15JUN2011
APVD	N. SWANGER	15JUN2011

**STE** TE Connectivity

NAME: HEADER ASSEMBLY, 8 PAIR 6 COLUMN, 4.5mm, STRADA WHISPER

SIZE	CAGE CODE	DRAWING NO	RESTRICTED TO
A2	00779	C-2180822	

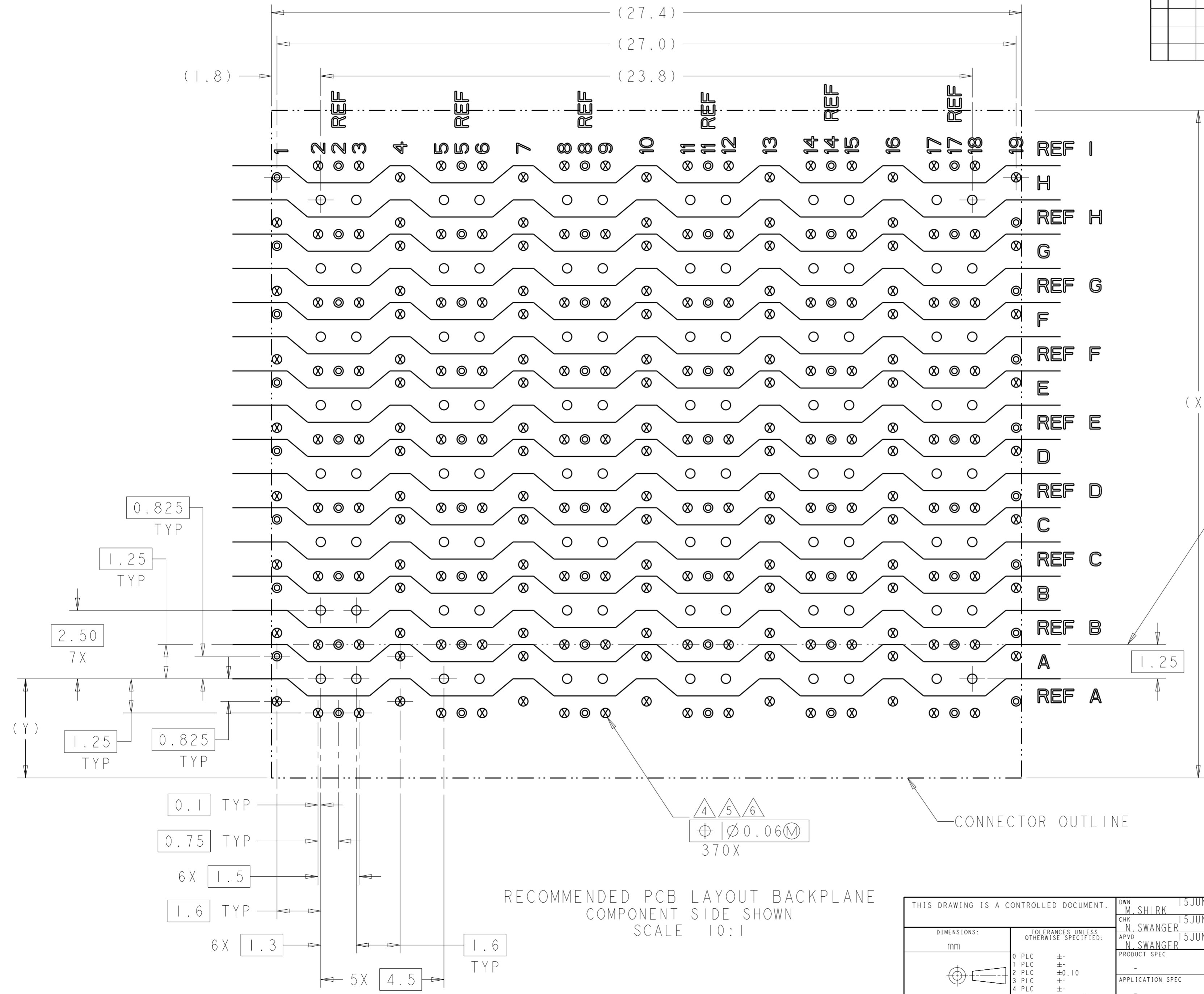
MATERIAL: SEE TABLE

CUSTOMER DRAWING

SCALE: 5:1 SHEET 1 OF 2 REV E

THIS DRAWING IS UNPUBLISHED. RELEASED FOR PUBLICATION 20  
 © COPYRIGHT 20 TE CONNECTIVITY ALL RIGHTS RESERVED.

LOC	DIST	REVISIONS					
GP	00	P	LTR	DESCRIPTION	DATE	DWN	APVD
		-		SEE SHEET 1			



TOP SURFACE OF DAUGHTERCARD

- = SIGNAL
- ⊗ = GROUND
- ⊙ = SI VIA

CONNECTOR OUTLINE

RECOMMENDED PCB LAYOUT BACKPLANE  
 COMPONENT SIDE SHOWN  
 SCALE 10:1

THIS DRAWING IS A CONTROLLED DOCUMENT.		DWN M. SHIRK 15JUN2011	TE Connectivity
DIMENSIONS: mm		CHK N. SWANGER 15JUN2011	
TOLERANCES UNLESS OTHERWISE SPECIFIED:		APVD N. SWANGER 15JUN2011	
0 PLC ± 1 PLC ± 2 PLC ±0.10 3 PLC ± 4 PLC ± ANGLES ± FINISH ±		NAME HEADER ASSEMBLY, 8 PAIR 6 COLUMN, 4.5mm, STRADA WHISPER SIZE A200779 CAGE CODE C-2180822 DRAWING NO. RESTRICTED TO	
MATERIAL		PRODUCT SPEC	SCALE 5:1 SHEET 2 OF 2 REV E
		APPLICATION SPEC	
		WEIGHT	
		CUSTOMER DRAWING	

## X-ON Electronics

Largest Supplier of Electrical and Electronic Components

*Click to view similar products for [Barrier Terminal Blocks](#) category:*

*Click to view products by [TE Connectivity](#) manufacturer:*

Other Similar products are found below :

[CR151D20104](#) [670A-RZ-15-KT20](#) [6C1N03](#) [6PCR-02](#) [6PCR-02-008](#) [6PCR-05-008](#) [6PCR-08-008](#) [6PCR-09-008](#) [6PCR-13-006](#) [6PCR-15-006](#) [6PCR-21-006](#) [6PCV-06-008](#) [6PCV-06-716](#) [6PCV-09-001](#) [6PCV-10-009](#) [6PCV-15-008](#) [6PCV-17-1206](#) [6PCV-20-323](#) [6PCV-30-006](#) [6STR-06-006](#) [6STR-08-006](#) [6STR-12-008](#) [6STR-13-006](#) [6STR-14-008](#) [6STR-16-008](#) [6STR-17-008](#) [6STR-21-008](#) [6STR-25-008](#) [6STR-27-008](#) [6STV-03-006](#) [6STV-03-008](#) [6STV-04-006](#) [6STV-09-006](#) [6STV-10-006](#) [6WWR-03-693](#) [6WWV-12-008](#) [6WWV-16-008](#) [72212603](#) [72504-C-50](#) [72506-C](#) [72507-C-50](#) [73203](#) [75505-C](#) [75505-C-50](#) [75510-C](#) [77010-50](#) [7C1N08](#) [812-GP-3/4ST-09](#) [8-1437402-5](#) [8-1437402-7](#)