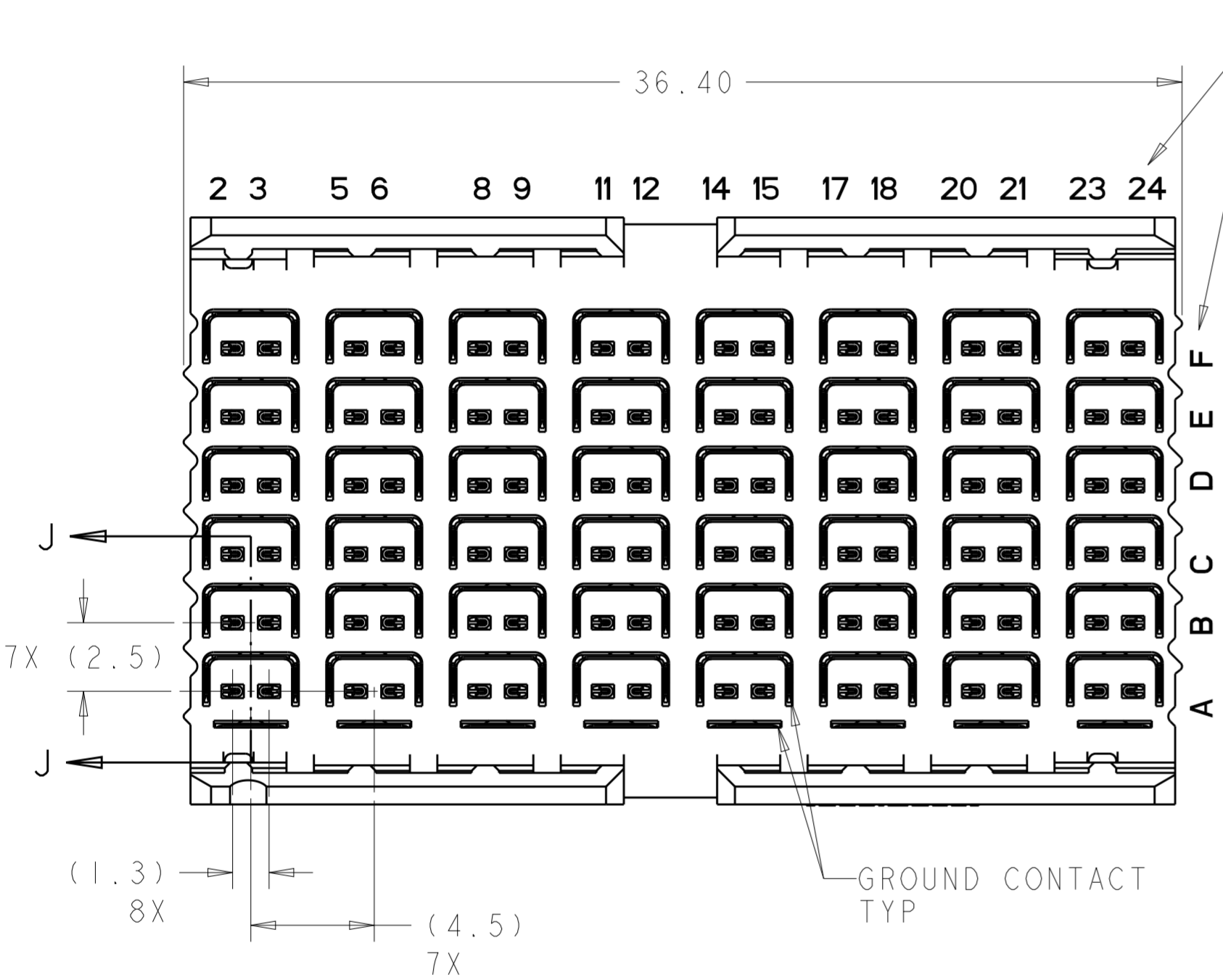
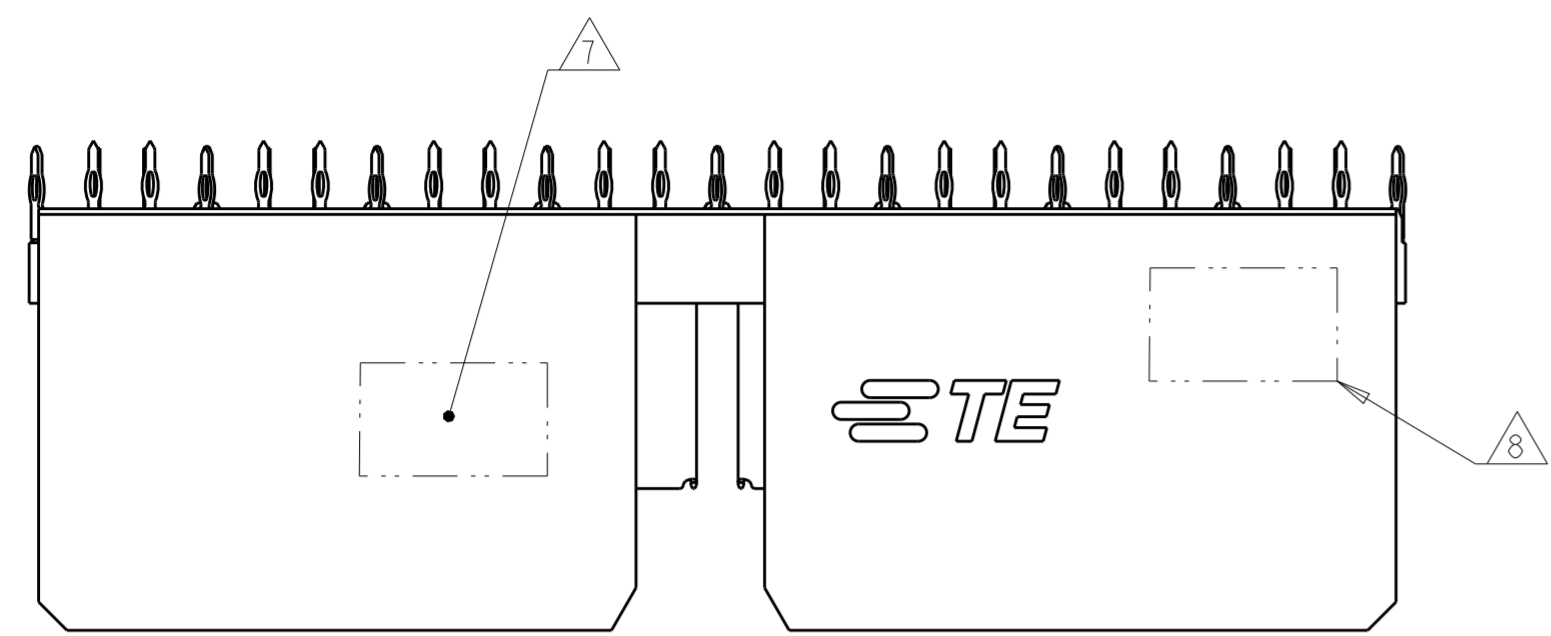
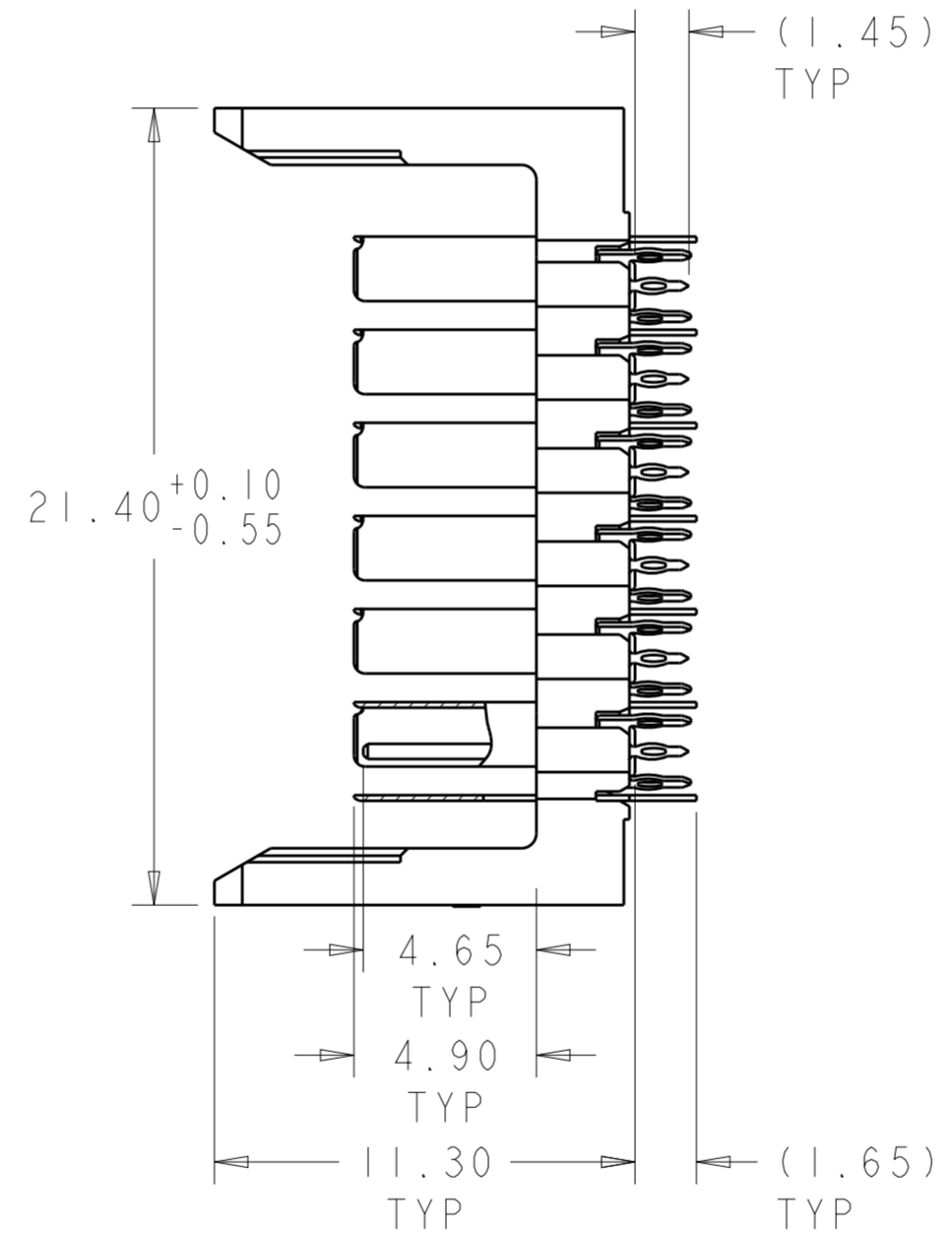


THIS DRAWING IS UNPUBLISHED. RELEASED FOR PUBLICATION 20
 © COPYRIGHT 20 TE CONNECTIVITY ALL RIGHTS RESERVED.

LOC	DIST	REVISIONS					
GP	00	P	LTR	DESCRIPTION	DATE	DWN	APVD
		A		INITIAL RELEASE	28OCT2013	J.G	C.Z
		B		UPDATED FHS ON NOTE 4	14NOV2013	J.G	C.Z
		C		REVISED PER ECO-17-006848	10MAY2017	JM	SS
		D		REVISED PER ECO-19-001409	01FEB2019	AP	RP

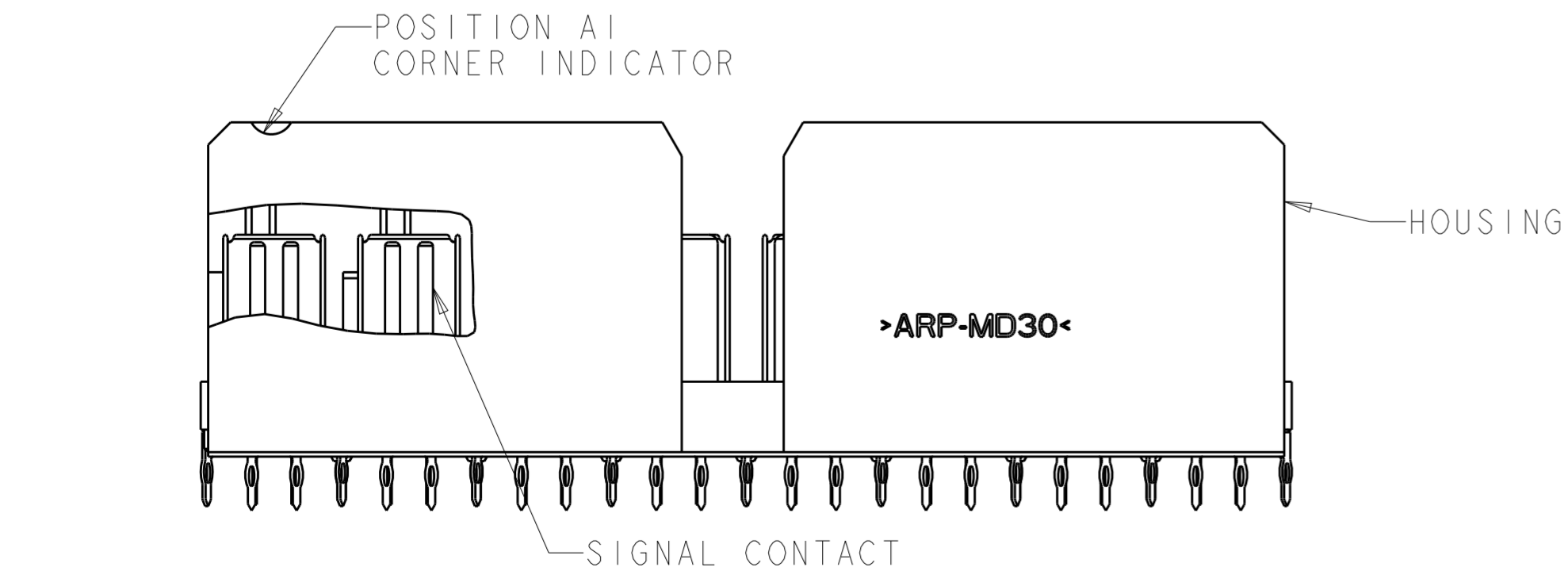


COLUMN NUMBER AND ROW LETTER (LOCATION SAME AS PCB LAYOUT PER SHEET 2)



SECTION J-J

- ① HOUSING: THERMOPLASTIC, UL 94V-0, BLACK. CONTACT: COPPER ALLOY.
- ② CONFORMS TO REQUIREMENTS OF TE PRODUCT SPEC 108-2413, BASED ON TELECORDIA GR-1217-CORE FOR SYSTEM QUALITY LEVEL III APPLICATIONS IN CONTROLLED ENVIRONMENTS (CENTRAL OFFICE).
- ③ CONSULT APPLICATION SPECIFICATION 114-13301.
- ④ PLATED THRU HOLE REQUIREMENTS:
 FINISHED HOLE = $\varnothing 0.344 \pm 0.046$ mm
 DRILLED HOLE BEFORE PLATING = $\varnothing 0.420 \sim 0.435$ mm
 COPPER THICKNESS = 0.042mm REF
- ⑤ PLATED THRU HOLE DIMENSIONS APPLY TO 1.00mm DEPTH FROM MOUNT SIDE OF BOARD.
- ⑥ HOLE POSITION TOLERANCE APPLIES WITHIN PATTERN FOR CONNECTOR PATTERN TO CONNECTOR PATTERN, A 0.12 $\text{\textcircled{M}}$ POSITION TOLERANCE APPLIES.
- ⑦ CONNECTOR MARKED WITH PART NUMBER, DATE CODE, AND OPTIONAL MANUFACTURING LOCATION IDENTIFICATION CODE IN APPROXIMATE AREA SHOWN.
- ⑧ CONNECTOR MARKED WITH 2D BARCODE IN APPROXIMATE AREA SHOWN.



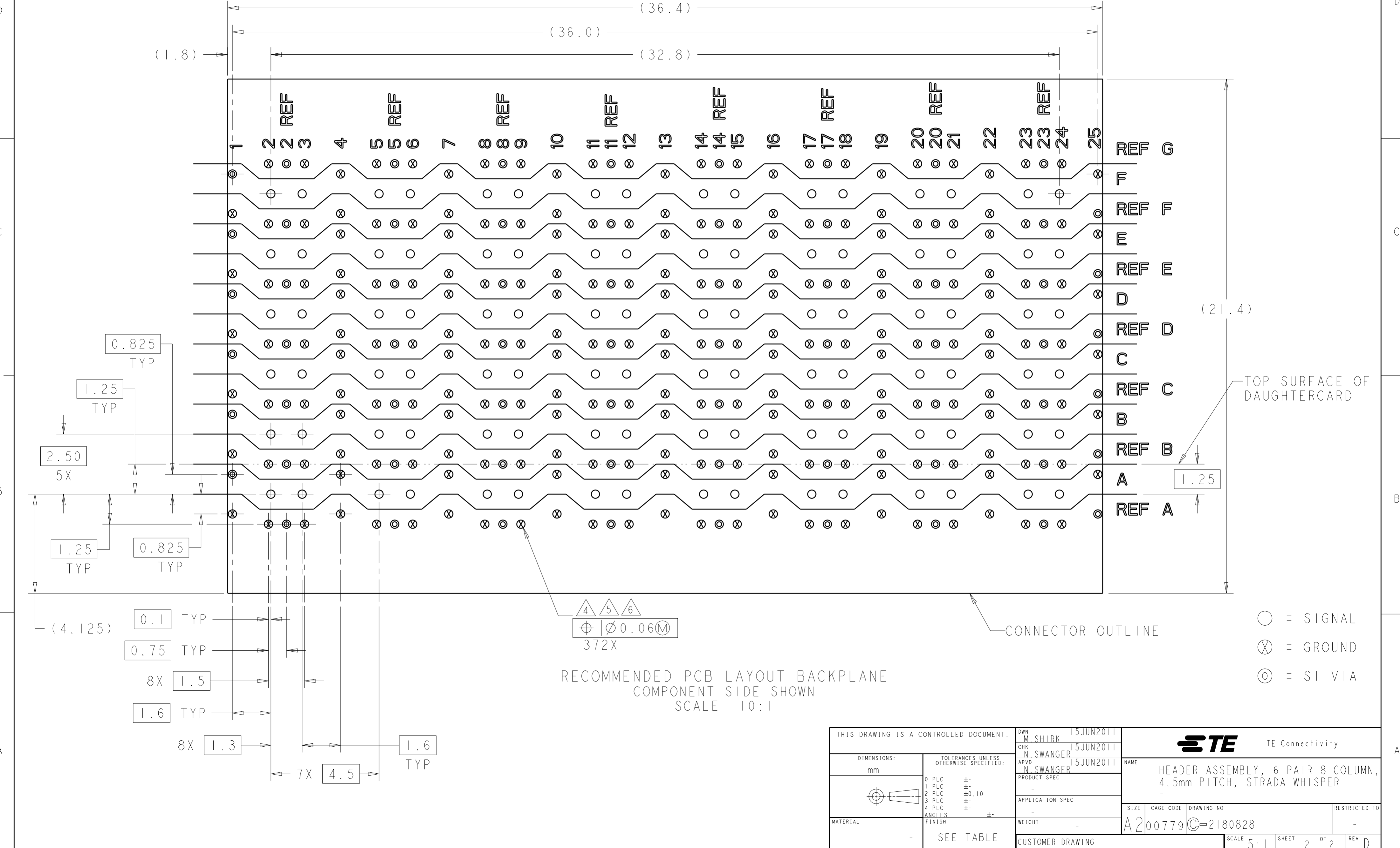
96	TIN	2180828-2
96	TIN-LEAD	2180828-1
SIGNAL CONTACT QTY REF	PRESS FIT TAIL PLATING	PART NO

THIS DRAWING IS A CONTROLLED DOCUMENT.

DIMENSIONS: mm	TOLERANCES UNLESS OTHERWISE SPECIFIED:	DWN M. SHIRK 15JUN2011	TE Connectivity NAME: HEADER ASSEMBLY, 6 PAIR 8 COLUMN, 4.5mm PITCH, STRADA WHISPER SIZE: A2 CAGE CODE: 00779 DRAWING NO: C-2180828 RESTRICTED TO: -
	0 PLC ±	CHK N. SWANGER 15JUN2011	
	1 PLC ±	APVD N. SWANGER 15JUN2011	
	2 PLC ±0.10	PRODUCT SPEC ②	
	3 PLC ±	APPLICATION SPEC ③	SCALE: 5:1 SHEET 1 OF 2 REV D
	4 PLC ±	WEIGHT: -	
MATERIAL	① - SEE TABLE	CUSTOMER DRAWING	

THIS DRAWING IS UNPUBLISHED. RELEASED FOR PUBLICATION 20
 © COPYRIGHT 20 TE CONNECTIVITY ALL RIGHTS RESERVED.

LOC	DIST	REVISIONS					
GP	00	P	LTR	DESCRIPTION	DATE	DWN	APVD
		-		SEE SHEET 1			



THIS DRAWING IS A CONTROLLED DOCUMENT.		DWN M. SHIRK 15 JUN 2011	TE Connectivity
DIMENSIONS: mm		CHK N. SWANGER 15 JUN 2011	
TOLERANCES UNLESS OTHERWISE SPECIFIED:		APVD N. SWANGER 15 JUN 2011	
0 PLC ± 1 PLC ± 2 PLC ±0.10 3 PLC ± 4 PLC ± ANGLES ± FINISH ±		NAME	
MATERIAL - SEE TABLE		PRODUCT SPEC	HEADER ASSEMBLY, 6 PAIR 8 COLUMN, 4.5mm PITCH, STRADA WHISPER
		APPLICATION SPEC	SIZE CAGE CODE DRAWING NO RESTRICTED TO
		WEIGHT	A200779 C-2180828
		CUSTOMER DRAWING	SCALE 5:1 SHEET 2 OF 2 REV D

X-ON Electronics

Largest Supplier of Electrical and Electronic Components

Click to view similar products for [High Speed/Modular Connectors](#) category:

Click to view products by [TE Connectivity](#) manufacturer:

Other Similar products are found below :

[650827-1](#) [74040-1346](#) [1410191-1](#) [1410368-3](#) [1410964-2](#) [1410326-3](#) [1410367-3](#) [1410971-4](#) [1467833-1](#) [2000877-1](#) [2000878-1](#) [2041314-1](#)
[2065387-1](#) [2187307-1](#) [163P](#) [1934290-1](#) [2000875-1](#) [2065917-1](#) [2102736-2](#) [FSR-40](#) [2169868-2](#) [22354-8](#) [437-5040-000](#) [5-1393565-0](#) [039-](#)
[0246-000](#) [0761601016](#) [0784461022](#) [10123159-12ELF](#) [030-2415-003/100 PK](#) [030-7380-004](#) [030-2494-001](#) [532939-1](#) [5532901-3](#) [3-1469268-](#)
[7](#) [74748-102LF](#) [10041743-101LF](#) [10066670-100002LF](#) [1-533915-1](#) [249-4515-000](#) [7-1469373-3](#) [DL2-2J/S](#) [2000713-8](#) [2000713-7](#)
[10124313-101LF](#) [3011-21](#) [757105208](#) [EBTF-4-10-2.0-S-RA-1](#) [430305-001](#) [4395800100](#) [8140115](#)