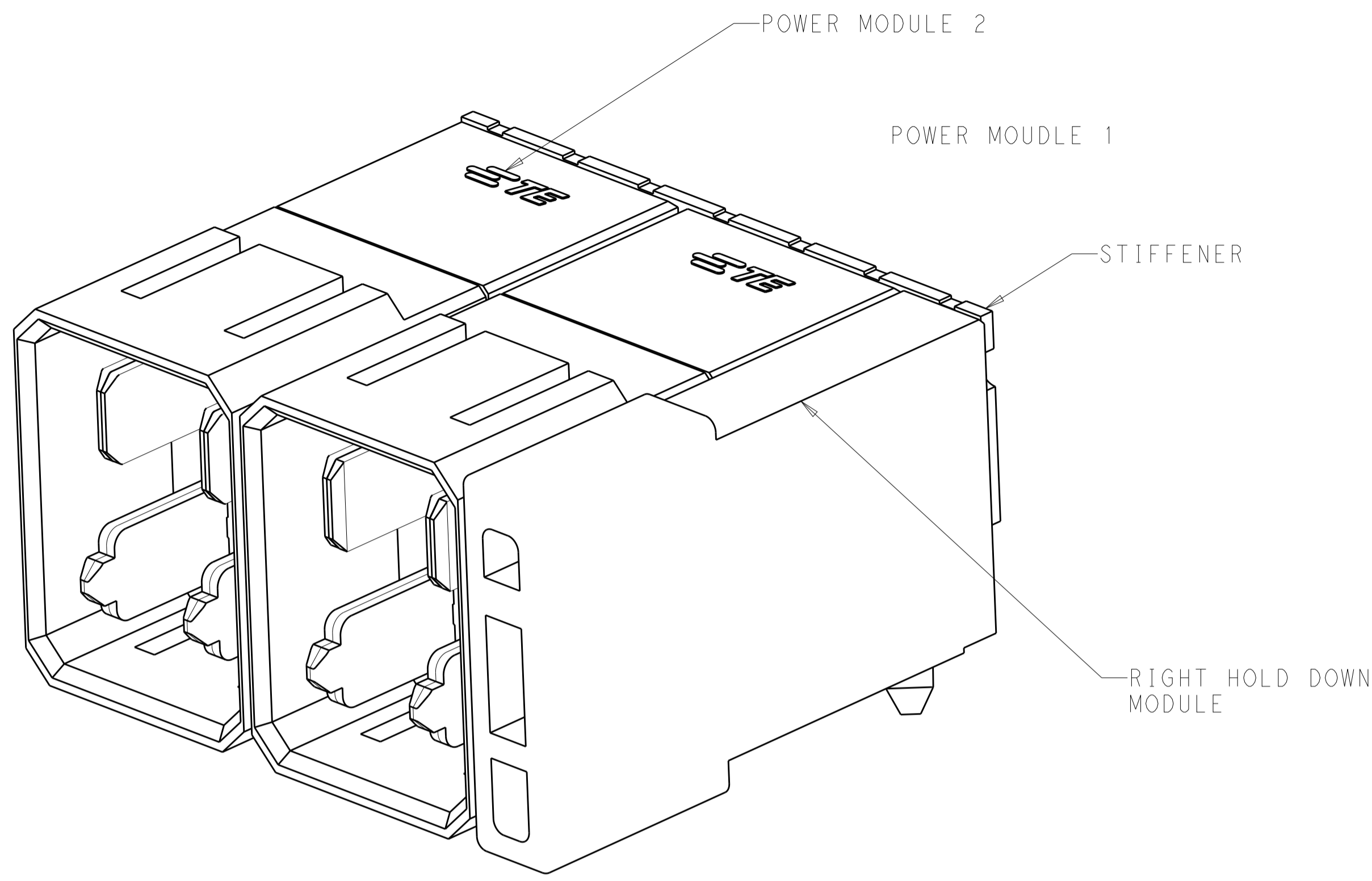


LOC		DIST		REVISIONS			
GP	00	P	LTN	DESCRIPTION	DATE	DWN	APVD
		A		INITIAL RELEASE	25MAY2012	LW	AC
		A1		REV PER ECR-12-010636	19JUN2012	LW	AC



HEADER WITH RIGHT HOLD DOWN MODULE

- NOTES:
- 1 MATERIALS:  
 HOUSING:HIGH TEMP. THERMOPLASTIC GLASS/MINERAL FILLED UL94V-0  
 TERMINAL:COPPER ALLOY
  - 2 FINISH:  
 TIN OPTION-0.76um MIN GOLD AT CONTACT AREA AND  
 1.27um MIN NICKEL UNDERPLATED OVER ALL  
 2.54um TIN AT SOLDER TAIL AREA  
 TIN-LEAD OPTION-0.76um MIN GOLD AT CONTACT AREA AND  
 1.27um MIN NICKEL UNDERPLATED OVER ALL  
 2.54um TIN-LEAD AT SOLDER TAIL AREA
  - 3 REFER TO TE'S PRODUCT SPECIFICATION:108-2473  
 FOR PLATED THROUGH-HOLE SPECIFICATION AND TORQUE FORCE
  - 4 CONNECTOR WERE PACKED BY TRAY  
 REFER TO TE'S PACKAGING SPECIFICATION:107-97873
  - 5 MATED WITH \*-2169806-\* OR \*-2169853-\*
  - 6 LASER MARK PART NUMBER AND DATE CODE (YYWWDS)  
 CAN BE AT THE OPPOSITE SIDE
  - 7 ADD 11.40MM FOR EACH ADDITIONAL MODULE
  - 8 REFER TO DOCUMENT NUMBER:2169802 FOR INDIVIDUAL  
 MODULE COMPONENT INFORMATION
  - 9 FIRST POWER MODULE(1#) STARTS FROM THE RIGHT
  - 10 DIMENSION P1&P2 FOR POWER MODULE 1, P3&P4 FOR POWER MODULE 2
  - 11 COMPONENT STAY AWAY ZONE FROM CONNECTOR
  - 12 ALL PARTS ARE SHIPPED WITH A 2-32 AB TYPE SELF-TAPPING  
 SCREW P/N:2057509-2

STATUS	PACKAGING	PLATING TYP	P4	P3	P2	P1	DIM A	NUMBER OF POWER MODULE	PART NUMBER
OBSOLETE			6.90	5.70	6.90	5.70	26.40	2X	7-2180851-0
OBSOLETE			6.90	5.70	5.70	6.90	26.40	2X	6-2180851-9
OBSOLETE			6.90	5.70	5.70	5.70	26.40	2X	6-2180851-8
OBSOLETE			6.90	5.70	6.90	6.90	26.40	2X	6-2180851-7
OBSOLETE			5.70	6.90	6.90	5.70	26.40	2X	6-2180851-6
OBSOLETE			5.70	6.90	5.70	6.90	26.40	2X	6-2180851-5
OBSOLETE			5.70	6.90	5.70	5.70	26.40	2X	6-2180851-4
OBSOLETE			5.70	6.90	6.90	6.90	26.40	2X	6-2180851-3
OBSOLETE			5.70	5.70	6.90	5.70	26.40	2X	6-2180851-2
OBSOLETE	TRAY	TIN-LEAD	5.70	5.70	5.70	6.90	26.40	2X	6-2180851-1
OBSOLETE			5.70	5.70	5.70	5.70	26.40	2X	6-2180851-0
OBSOLETE			5.70	5.70	6.90	6.90	26.40	2X	5-2180851-9
OBSOLETE			6.90	6.90	6.90	5.70	26.40	2X	5-2180851-8
OBSOLETE			6.90	6.90	5.70	6.90	26.40	2X	5-2180851-7
OBSOLETE			6.90	6.90	5.70	5.70	26.40	2X	5-2180851-6
OBSOLETE			6.90	6.90	6.90	6.90	26.40	2X	5-2180851-5
OBSOLETE			N/A	N/A	6.90	5.70	15.00	1X	5-2180851-4
OBSOLETE			N/A	N/A	5.70	6.90	15.00	1X	5-2180851-3
OBSOLETE			N/A	N/A	5.70	5.70	15.00	1X	5-2180851-2
OBSOLETE			N/A	N/A	6.90	6.90	15.00	1X	5-2180851-1
ACTIVE			6.90	5.70	6.90	5.70	26.40	2X	2-2180851-0
ACTIVE			6.90	5.70	5.70	6.90	26.40	2X	1-2180851-9
ACTIVE			6.90	5.70	5.70	5.70	26.40	2X	1-2180851-8
ACTIVE			6.90	5.70	6.90	6.90	26.40	2X	1-2180851-7
ACTIVE			5.70	6.90	6.90	5.70	26.40	2X	1-2180851-6
ACTIVE			5.70	6.90	5.70	6.90	26.40	2X	1-2180851-5
ACTIVE			5.70	6.90	5.70	5.70	26.40	2X	1-2180851-4
ACTIVE			5.70	6.90	6.90	6.90	26.40	2X	1-2180851-3
ACTIVE			5.70	5.70	6.90	5.70	26.40	2X	1-2180851-2
ACTIVE	TRAY	TIN	5.70	5.70	5.70	6.90	26.40	2X	1-2180851-1
ACTIVE			5.70	5.70	5.70	5.70	26.40	2X	1-2180851-0
ACTIVE			5.70	5.70	6.90	6.90	26.40	2X	2180851-9
ACTIVE			6.90	6.90	6.90	5.70	26.40	2X	2180851-8
ACTIVE			6.90	6.90	5.70	6.90	26.40	2X	2180851-7
ACTIVE			6.90	6.90	5.70	5.70	26.40	2X	2180851-6
ACTIVE			6.90	6.90	6.90	6.90	26.40	2X	2180851-5
ACTIVE			N/A	N/A	6.90	5.70	15.00	1X	2180851-4
ACTIVE			N/A	N/A	5.70	6.90	15.00	1X	2180851-3
ACTIVE			N/A	N/A	5.70	5.70	15.00	1X	2180851-2
ACTIVE			N/A	N/A	6.90	6.90	15.00	1X	2180851-1

THIS DRAWING IS A CONTROLLED DOCUMENT. DWN LERRY WANG 14MAR2012  
 CHK SUNY ZHAO 14MAR2012  
 APVD SUNY ZHAO 14MAR2012

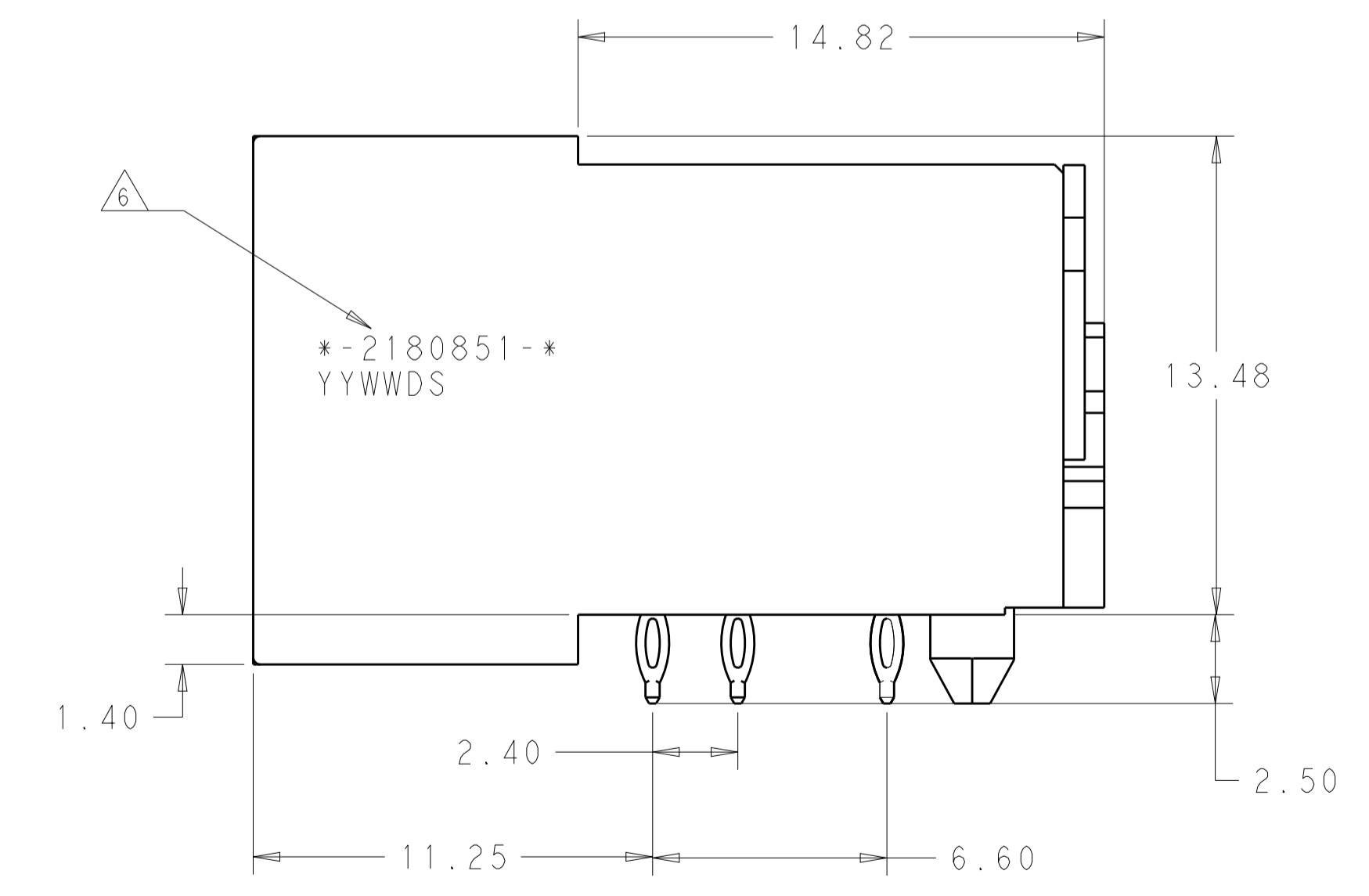
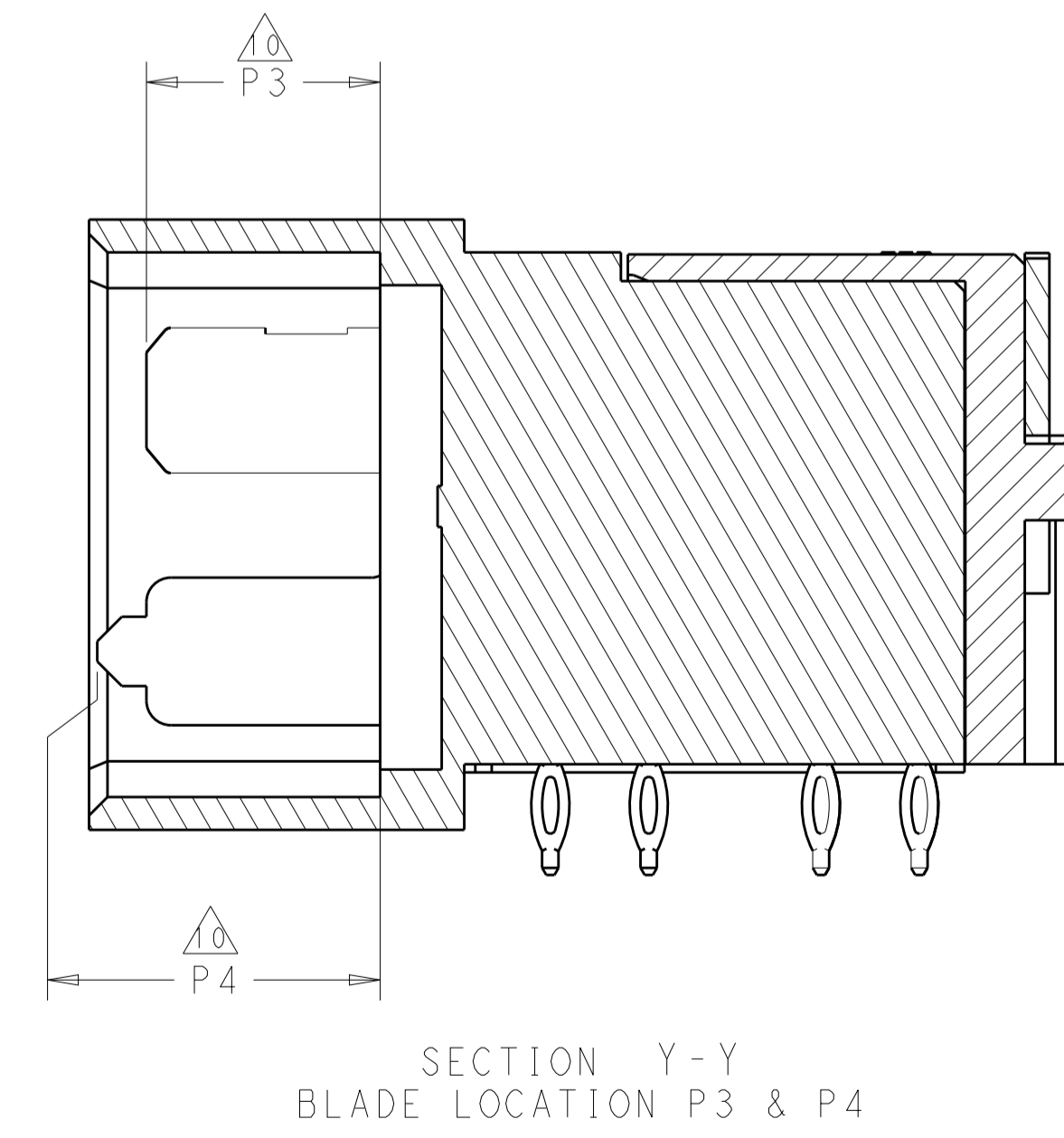
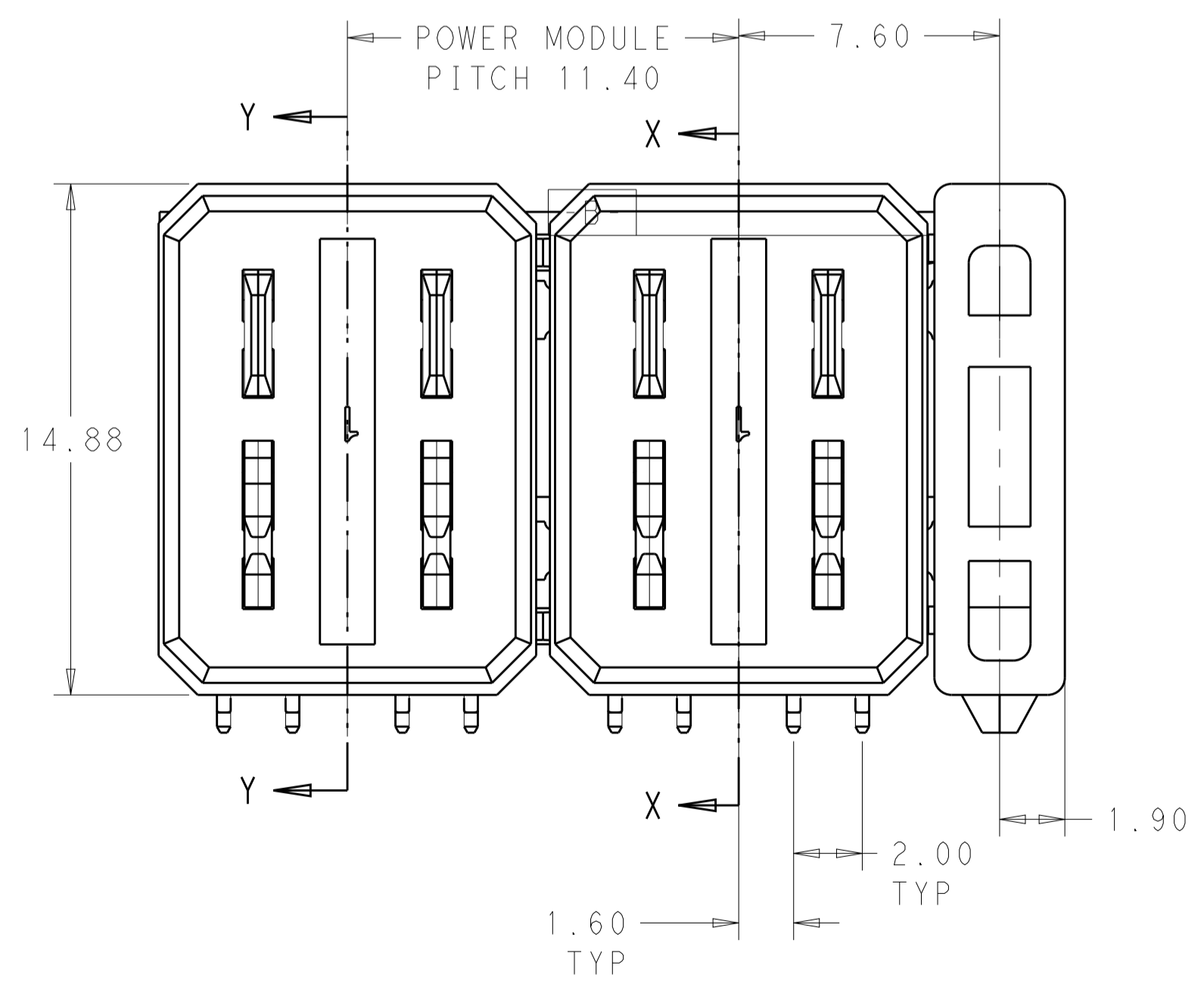
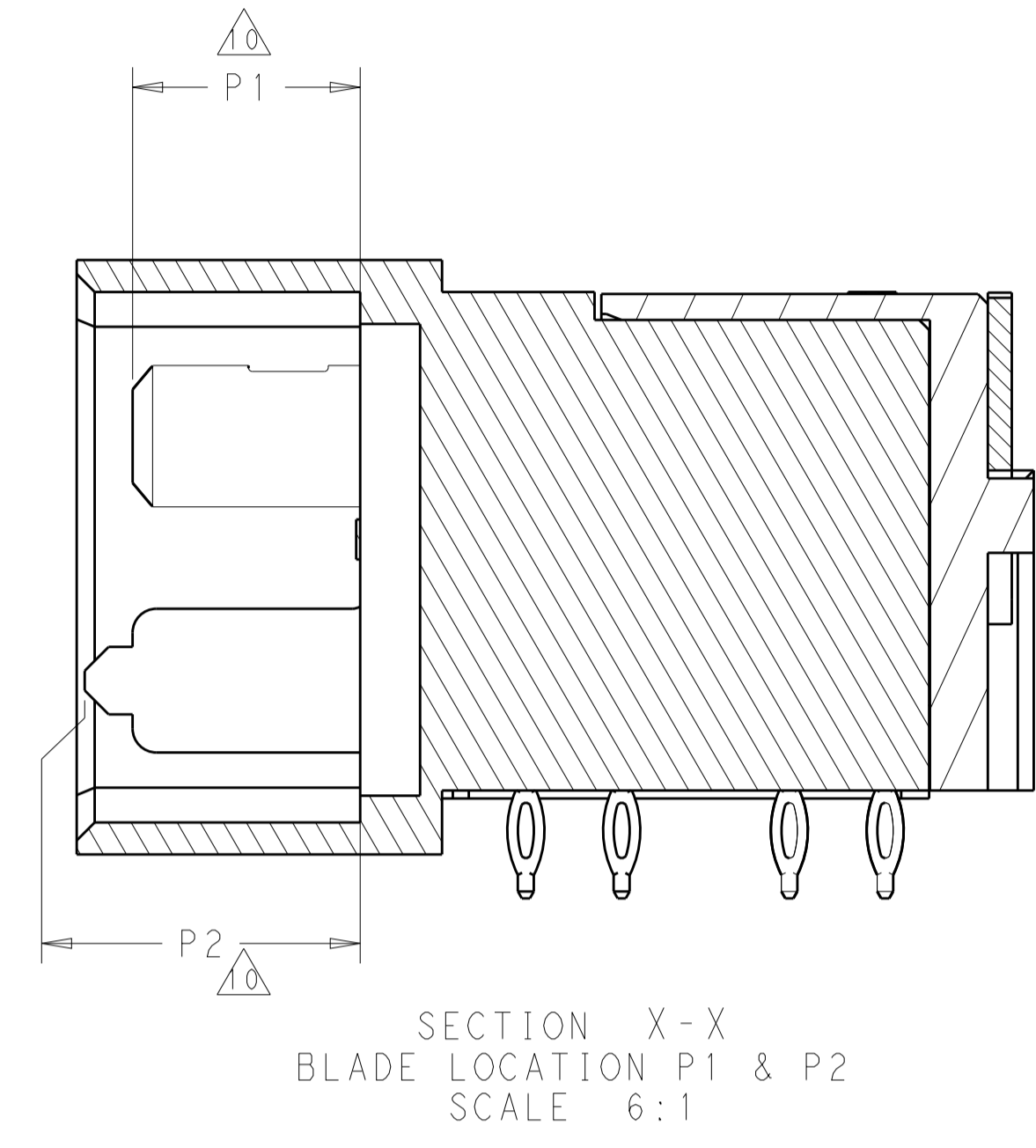
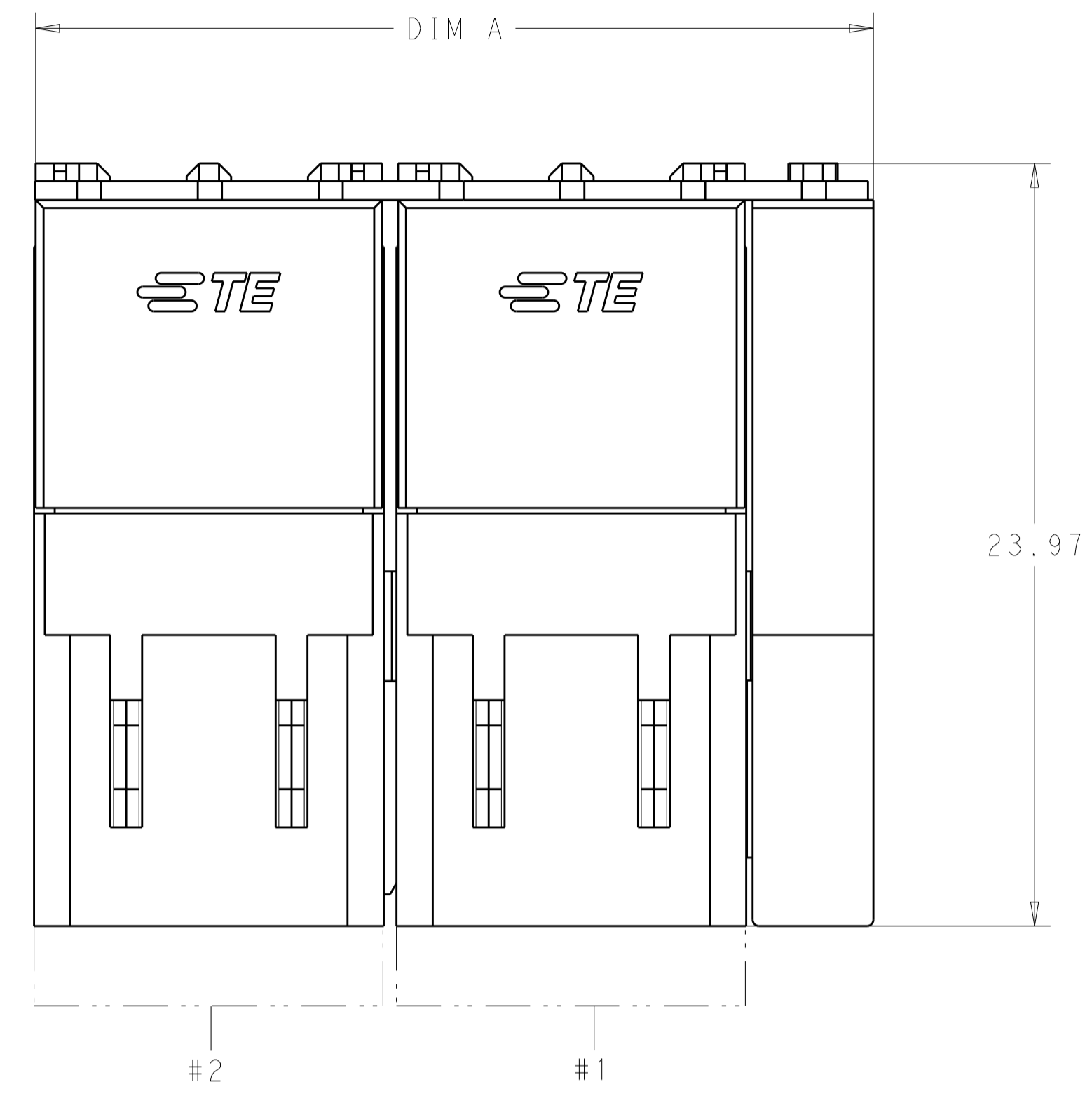
TE Connectivity

IMPACT POWER 3 PAIR  
 R/A HEADER W/HOLD DOWN RIGHT  
 PRESS FIT

SIZE CAGE CODE DRAWING NO RESTRICTED TO  
 A1 00779 2180851

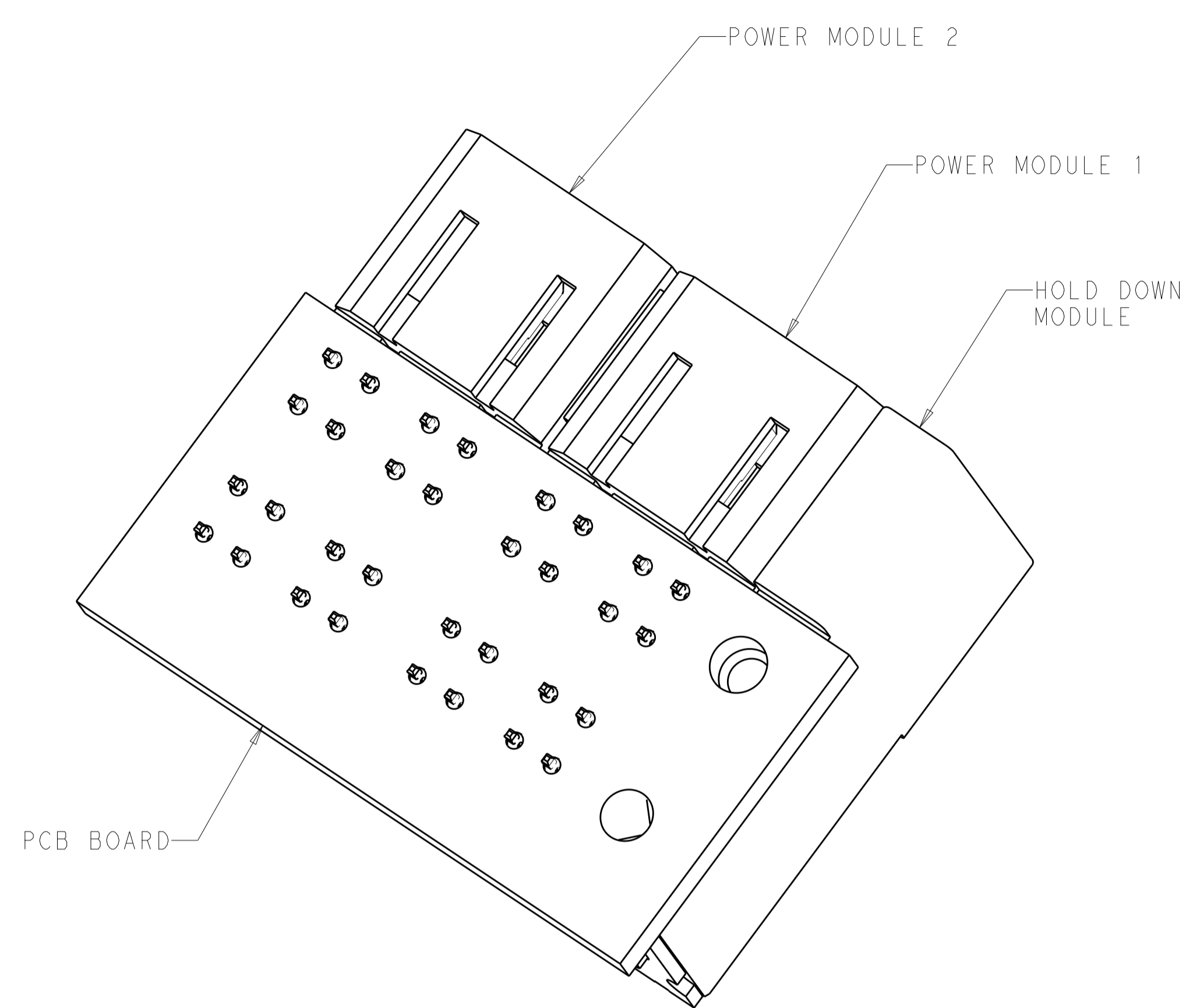
CUSTOMER DRAWING SCALE 4:1 SHEET 1 OF 3 REV A1

LOC		DIST		REVISIONS			
GP	00	P	LTN	DESCRIPTION	DATE	DMN	APVD
-	-	-	-	SEE SHEET 1	-	-	-

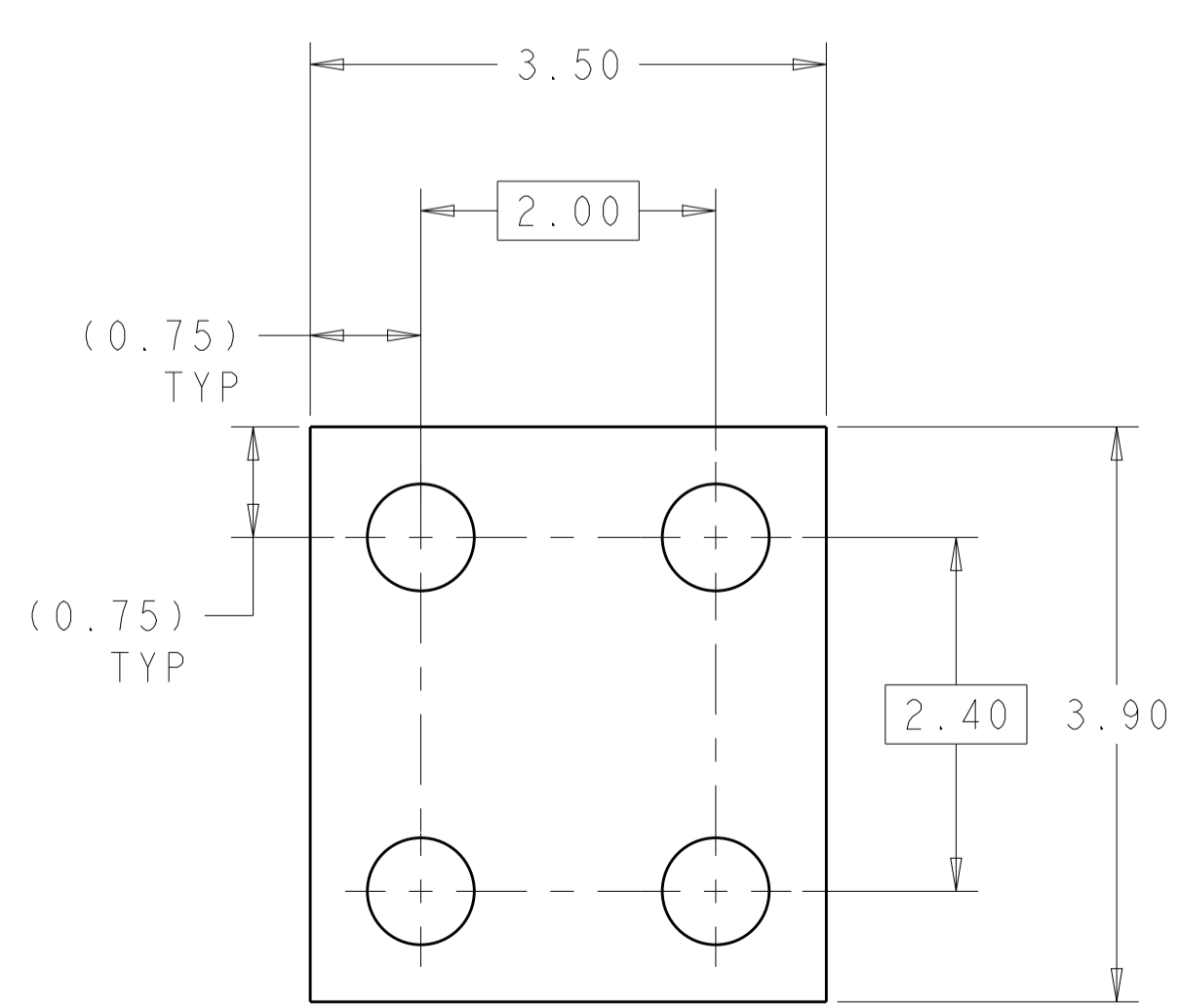
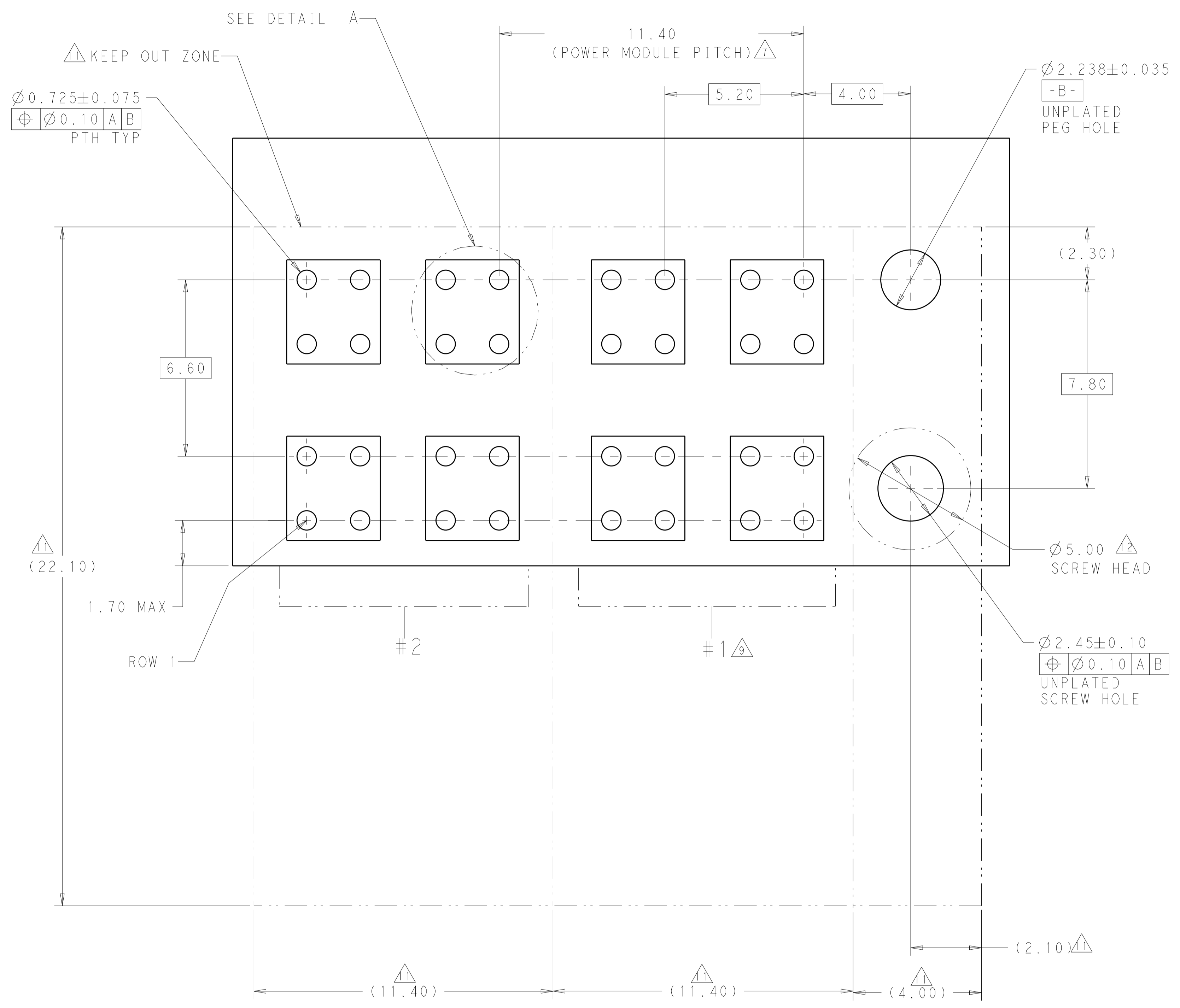


THIS DRAWING IS A CONTROLLED DOCUMENT.		OWN LERRY WANG 14MAR2012	TE Connectivity
DIMENSIONS: mm		CHK SUNY ZHAO 14MAR2012	
TOLERANCES UNLESS OTHERWISE SPECIFIED:		APVD SUNY ZHAO 14MAR2012	NAME
0 PLC ±.2	1 PLC ±.25	PRODUCT SPEC	IMPACT POWER 3 PAIR
2 PLC ±.25	3 PLC ±.25	APPLICATION SPEC	R/A HEADER W/HOLD DOWN RIGHT
4 PLC ±.25	ANGLES ±.5°	114-32028	PRESS FIT
MATERIAL	FINISH	WEIGHT	SIZE CAGE CODE DRAWING NO
			A100779C=2180851
CUSTOMER DRAWING		SCALE 4:1	SHEET 2 OF 3
		REV A	

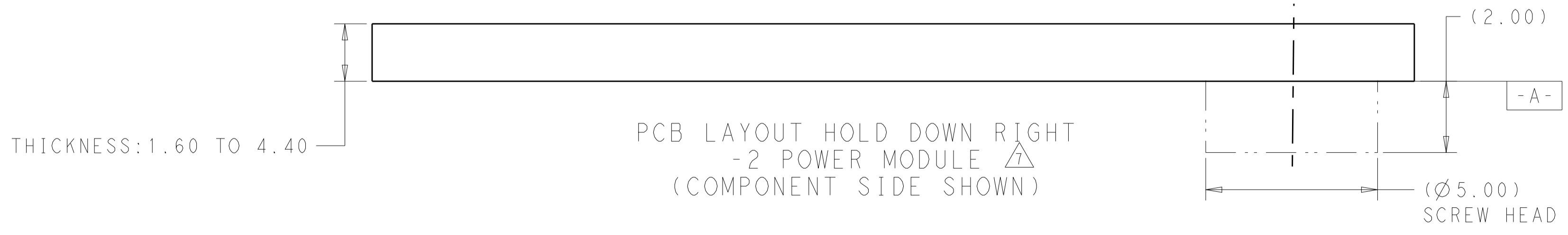
LOC	DIST	REVISIONS			
P	LTN	DESCRIPTION	DATE	OWN	APVD
-	-	SEE SHEET 1	-	-	-



CONNECTOR WITH PCB BOARD



DETAIL A  
 COPPER PAD REFERENCE  
 SCALE 20:1



PCB LAYOUT HOLD DOWN RIGHT  
 -2 POWER MODULE  
 (COMPONENT SIDE SHOWN)

THIS DRAWING IS A CONTROLLED DOCUMENT.		OWN: LERRY WANG 14MAR2012	TE Connectivity
DIMENSIONS: mm		CHK: SUNY ZHAO 14MAR2012	
TOLERANCES UNLESS OTHERWISE SPECIFIED:		APVD: SUNY ZHAO 14MAR2012	NAME: IMPACT POWER 3 PAIR R/A HEADER W/HOLD DOWN RIGHT PRESS FIT
0 PLC ±.1 1 PLC ±.15 2 PLC ±.25 3 PLC ±.3 4 PLC ±.4 ANGLES ±.5°		PRODUCT SPEC	SIZE: CAGE CODE DRAWING NO
MATERIAL: FINISH:		APPLICATION SPEC	RESTRICTED TO
		114-32028	A100779C=2180851
		WEIGHT:	SCALE 4:1 SHEET 3 OF 3 REV A
		CUSTOMER DRAWING	

## X-ON Electronics

Largest Supplier of Electrical and Electronic Components

*Click to view similar products for [High Speed/Modular Connectors](#) category:*

*Click to view products by [TE Connectivity](#) manufacturer:*

Other Similar products are found below :

[650827-1](#) [74040-1346](#) [1410191-1](#) [1410368-3](#) [1410964-2](#) [1410326-3](#) [1410367-3](#) [1410971-4](#) [1467833-1](#) [2000877-1](#) [2000878-1](#) [2041314-1](#)  
[2065387-1](#) [2187307-1](#) [163P](#) [1934290-1](#) [2000875-1](#) [2065917-1](#) [2102736-2](#) [FSR-40](#) [2169868-2](#) [22354-8](#) [437-5040-000](#) [5-1393565-0](#) [039-](#)  
[0246-000](#) [0761601016](#) [0784461022](#) [10123159-12ELF](#) [030-2415-003/100 PK](#) [030-7380-004](#) [030-2494-001](#) [532939-1](#) [5532901-3](#) [3-1469268-](#)  
[7](#) [74748-102LF](#) [73670-0247](#) [10041743-101LF](#) [10066670-100002LF](#) [1-533915-1](#) [249-4515-000](#) [7-1469373-3](#) [DL2-2J/S](#) [2000713-8](#)  
[2000713-7](#) [10124313-101LF](#) [3011-21](#) [757105208](#) [EBTF-4-10-2.0-S-RA-1](#) [430305-001](#) [4395800100](#)