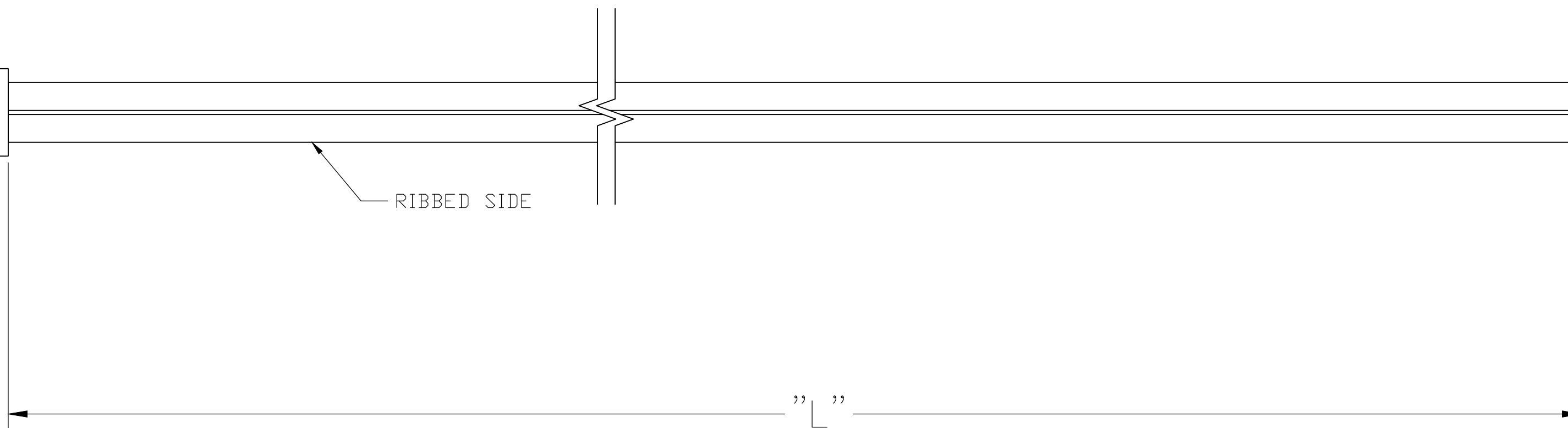
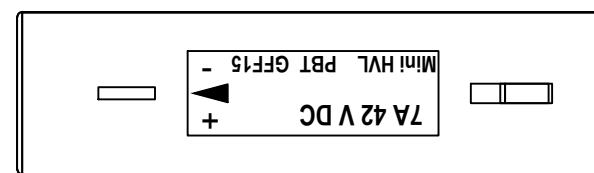
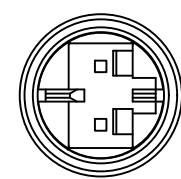


| REVISIONS | | | | | |
|-----------|-----|---------------|-----------|-----|------|
| P | LTR | DESCRIPTION | DATE | DWN | APVD |
| | A1 | ECR-20-004655 | 29SEP2020 | RK | SBH |

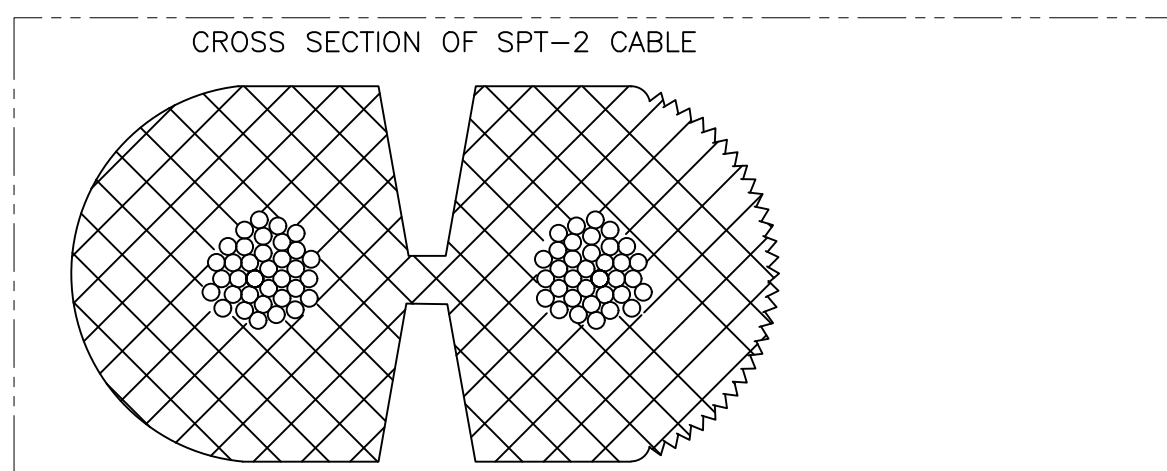
LV-2



1. PACKAGING ACC. TO TE SPEC.107-18032
BUNDLE EVERY 25 ASSEMBLIES WITH A RUBBER BAND
2. ELECTRICAL TEST CONTAINING "SHORT CIRCUIT TEST, CONTINUITY AND ACCURATE CAVITY ASSIGNMENT TEST" ACC. TO TE-SPEC.108-18857, SUBSECTION 3.1.1

3 WIRING SCHEDULE AS SHOWN

| WIRING SCHEDULE | | |
|-----------------|---|--------|
| OUTLET | | SIDE |
| 1 | + | RIBBED |
| 2 | - | SMOOTH |



| | | | |
|----------|---------|---------------------|-----------|
| OBSOLETE | 16.0 FT | ±3.84 | 2181198-8 |
| | 14.0 FT | ±3.36 | 2181198-7 |
| | 12.0 FT | ±2.88 | 2181198-6 |
| | 10.0 FT | ±2.4 | 2181198-5 |
| OBSOLETE | 8.0 FT | ±1.92 | 2181198-4 |
| | 6.0 FT | ±1.44 | 2181198-3 |
| | 4.0 FT | ±.96 | 2181198-2 |
| | 2.0 FT | ±.48 | 2181198-1 |
| | "L" | TOLERANCES [INCHES] | TE P/N |

| | | | | |
|--|--|------------------------------------|--|--|
| THIS DRAWING IS A CONTROLLED DOCUMENT. | | DWN E.C. CLAYBAUGH 16/JUN/11 | | |
| DIMENSIONS: INCHES | | CHK P. BECKER 13/JUL/11 | | |
| TOLERANCES UNLESS OTHERWISE SPECIFIED: | | APVD P. BECKER 01/AUG/11 | NAME CABLE ASSY, NECTOR, LV-2, OUTLET - PIGTAIL | |
| 0 PLC ± - | | PRODUCT SPEC | SIZE | |
| 1 PLC ± - | | APPLICATION SPEC | CAGE CODE | |
| 2 PLC ± - | | | DRAWING NO | |
| 3 PLC ± - | | | RESTRICTED TO | |
| 4 PLC ± - | | | A2 00779 C-2181198 | |
| ANGLES ± - | | | SCALE N.T.S. | |
| MATERIAL | | WEIGHT | SHEET 1 of 1 | |
| FINISH | | CUSTOMER DRAWING | REV A1 | |

X-ON Electronics

Largest Supplier of Electrical and Electronic Components

Click to view similar products for [Lighting Cables](#) category:

Click to view products by [TE Connectivity](#) manufacturer:

Other Similar products are found below :

[CL2-EXTEND](#) [96CB-E0605HAA1](#) [ZWF-915-J](#) [68801-4899](#) [68801-2112](#) [68801-2123](#) [68801-4124](#) [68801-4752](#) [68801-4850](#) [ZFS-CH144-12I](#) [96CB-E0405PCA3](#) [96CB-E0405PIC3](#) [96CB-E0605HAB1](#) [SSL11-J2LJ0-022A04](#) [CNXBE4218](#) [1-2058943-7](#) [1-2058943-8](#) [1-2083075-2](#) [1-2083080-1](#) [CNX310-120-X4124](#) [CNX_C_E_4_2_08](#) [CNXBE4118](#) [CNX_310_012_E_4_1_12](#) [2702306](#) [2702307](#) [SSL12-J4FJ0-000001](#) [180888-0405](#) [SSL12-J2LJ0-020F01](#) [180887-0430](#) [1705131](#) [180887-0410](#) [180778-0405](#) [1-2083029-8](#) [SSL12-J4LJ0-020H01](#) [180778-0430](#) [SSL12-P4LP0-M20H01](#) [SSL12-P4LP0-M20F01](#) [SSL12-P2LP0-M20F01](#) [SSL12-J4LJ0-020F01](#) [SSL11-J2LJ0-B22A04](#) [68801-4037](#) [68801-4039](#) [68801-4053](#) [68801-4055](#) [68801-4057](#) [68801-4059](#) [68801-4061](#) [960026](#) [2-2083030-2](#) [4767](#)