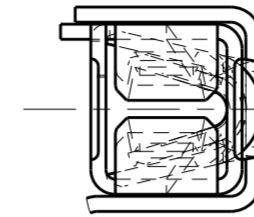
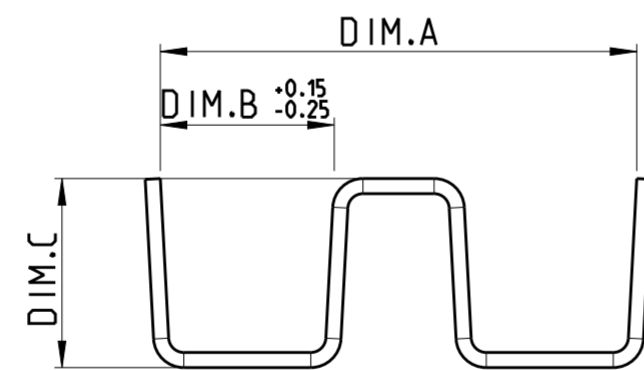
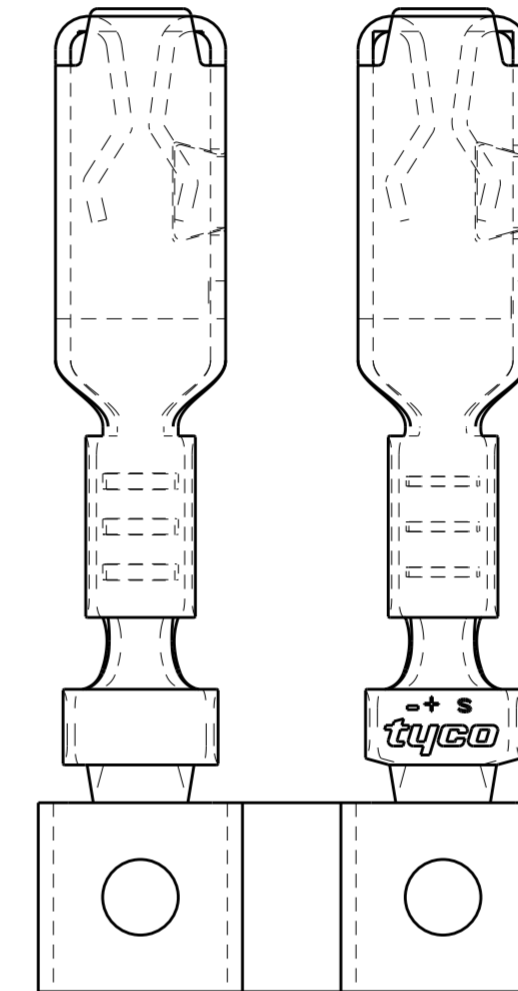
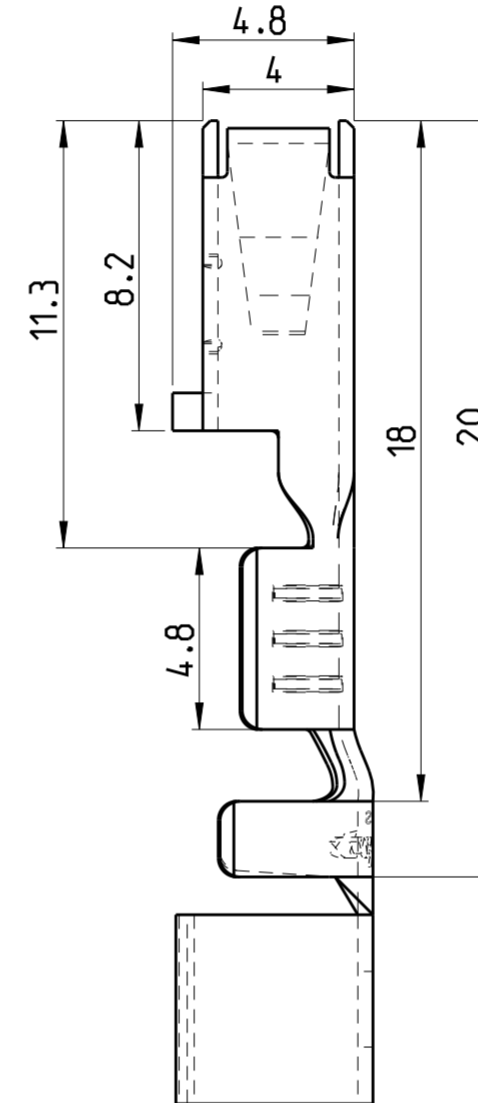
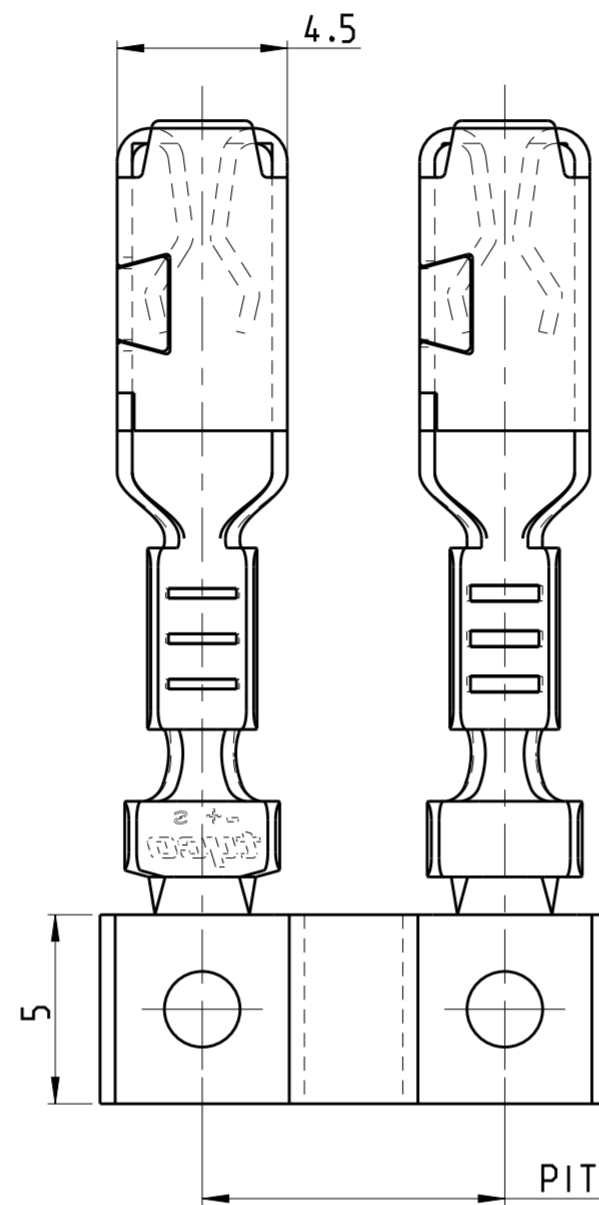
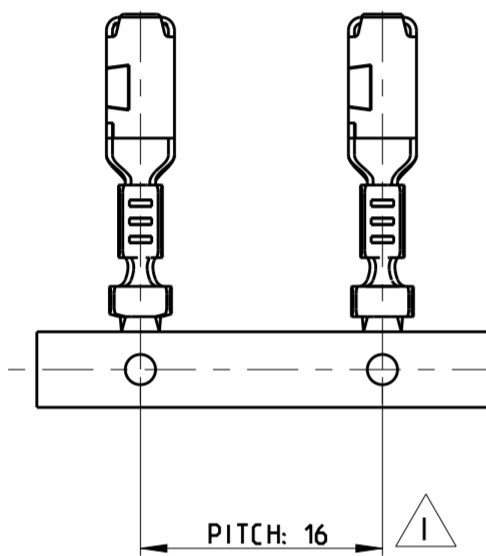


THIS DRAWING IS UNPUBLISHED. RELEASED FOR PUBLICATION 2005  
 © COPYRIGHT 2005 BY -TE CONNECTIVITY ALL RIGHTS RESERVED.

REVISIONS				
P	LTR	DESCRIPTION	DATE	APVD
0		RELEASED	05APR2005	X.H K.O
A		REVISED	10DEC2007	D.P K.O
B		ECR-16-017995	11JAN2017	O.Z I.Y



VIEW DRAWING



- NOTES:  
 1. FINISH: PRE-TIN PLATED 0.8um MIN. 112-16-4(REFLOWED)  
 2. NO CRACK WITH THE EYE  
 3. SUITABLE WIRE SIZE IS SHOWN AS TABEL I  
 4. 2-1813018-\* APPLICATION SPEC REFER TO 1813018-\*.  
 5. GENERAL TOLERANCE:

0<X<10	±0.20
10<=X<30	±0.25

TABLE I

INSUL RANGE	WIRE RANGE	DIM.A	DIM.B	DIM.C	PITCH	P/N
2.9~3.8DIA	2~3.0SQ	N/A	16.00			1813018-6
2.2~2.7DIA	0.85~1.25SQ					1813018-5
1.5~2.2DIA	0.3~0.5SQ					1813018-4
2.9~3.8DIA	2~3.5SQ	12.6 REF	4.6	5REF	8.00	1813018-3
2.2~2.7DIA	0.85~1.25SQ					1813018-2
1.5~2.2DIA	0.3~0.5SQ					1813018-1
2.9~3.8DIA	2~3.0SQ	11.2REF	4.24	5.7REF	7.00	2-1813018-3
2.2~2.7DIA	0.85~1.25SQ					2-1813018-2
1.5~2.2DIA	0.3~0.5SQ					2-1813018-1

-1 AS SHOWN

THIS DRAWING IS A CONTROLLED DOCUMENT.

DIMENSIONS: mm	TOLERANCES UNLESS OTHERWISE SPECIFIED: 0-PLC ± 1-PLC ±0.3 2-PLC ±0.2 3-PLC ±0.001 4-PLC ±0.0001 ANGLES ±3° FINISH	DWN X.HE 05APR2005 CHK R.ZHOU 05APR2005 APVD K.O DA 05APR2005	TE Connectivity	
MATERIAL COPPER ALLOY	PRE-TIN	PRODUCT SPEC 108-101000 APPLICATION SPEC 114-101000 WEIGHT 0.93g	NAME MINI FUSE RECEPTACLE JUNCTION BOX SIZE A2 CAGE CODE 00779 DRAWING NO C-1813018 RESTRICTED TO - SCALE 7:1 SHEET 1 OF 1 REV B	

CUSTOMER DRAWING

## X-ON Electronics

Largest Supplier of Electrical and Electronic Components

*Click to view similar products for [Headers & Wire Housings](#) category:*

*Click to view products by [TE Connectivity](#) manufacturer:*

Other Similar products are found below :

[0015917161](#) [0022155065](#) [57102-F02-18ULF](#) [58102-G61-06LF](#) [582553-1](#) [01.001.5753.1](#) [0050291907](#) [02.125.8002.8](#) [609-3404](#) [61062-3](#)  
[CSU011177004](#) [622-0430](#) [622-3653LF](#) [63453-116](#) [636-1030](#) [636-1427](#) [636-3427](#) [636-4007](#) [641938-9](#) [65495-038](#) [65692-001LF](#) [65781-018](#)  
[65781-047](#) [65817-010LF](#) [65817-015LF](#) [67095-007LF](#) [67601157](#) [68631-112](#) [68645-018](#) [699319-000](#) [70.362.1628.0](#) [70-4210](#) [70-4226B](#) [70-](#)  
[4853B](#) [71.350.2428.0](#) [733-134](#) [733-162](#) [760-3052](#) [MHR-64-VUAL](#) [80.063.4001.1](#) [800-90-001-10-001000](#) [801-43-002-10-013000](#)  
[801-43-006-10-002000](#) [803-43-024-10-001000](#) [803-93-012-10-001000](#) [8-1437020-4](#) [819-22-004-30-001101](#) [820-22-006-30-001101](#)  
[820-22-008-30-001101](#) [821-22-002-10-001101](#)