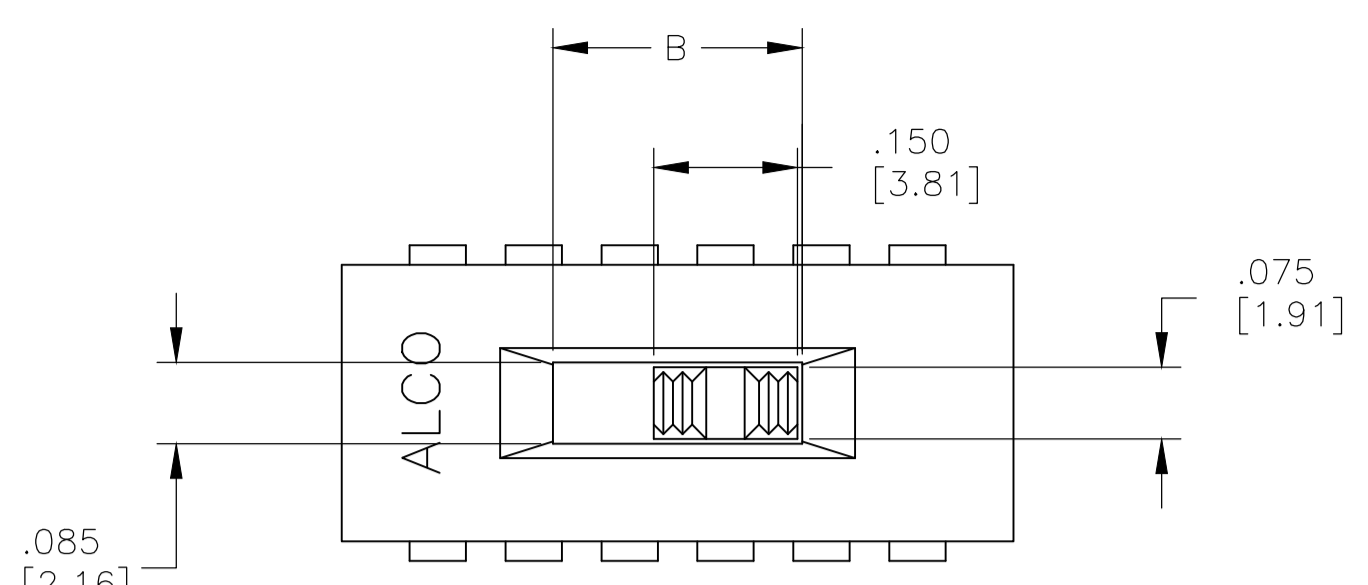
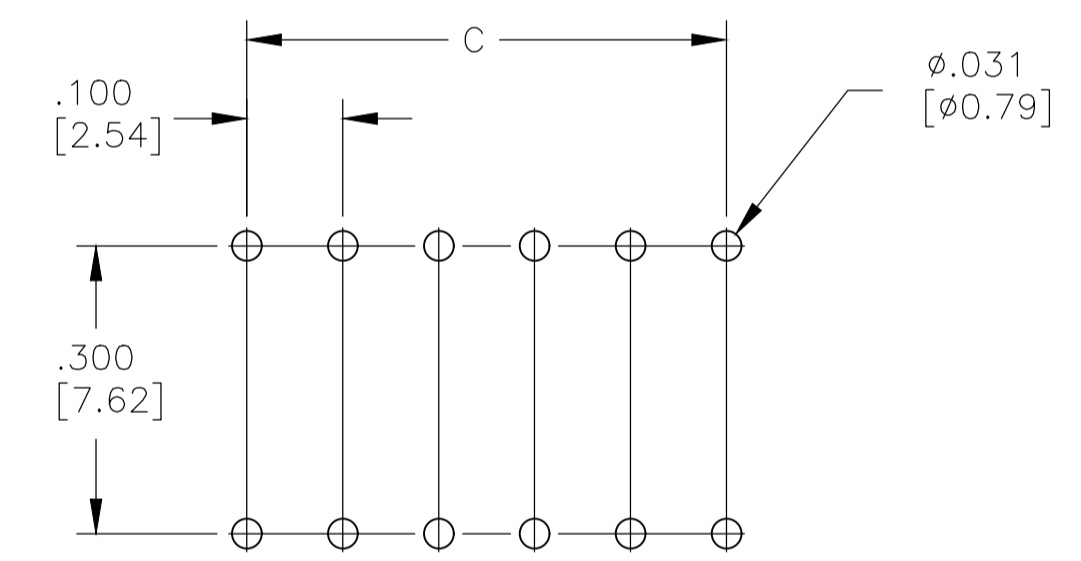
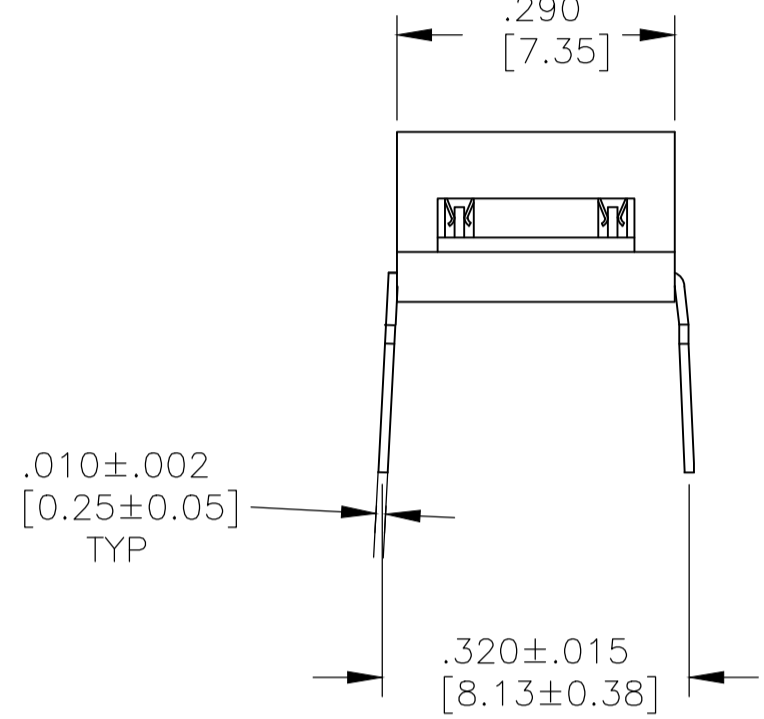
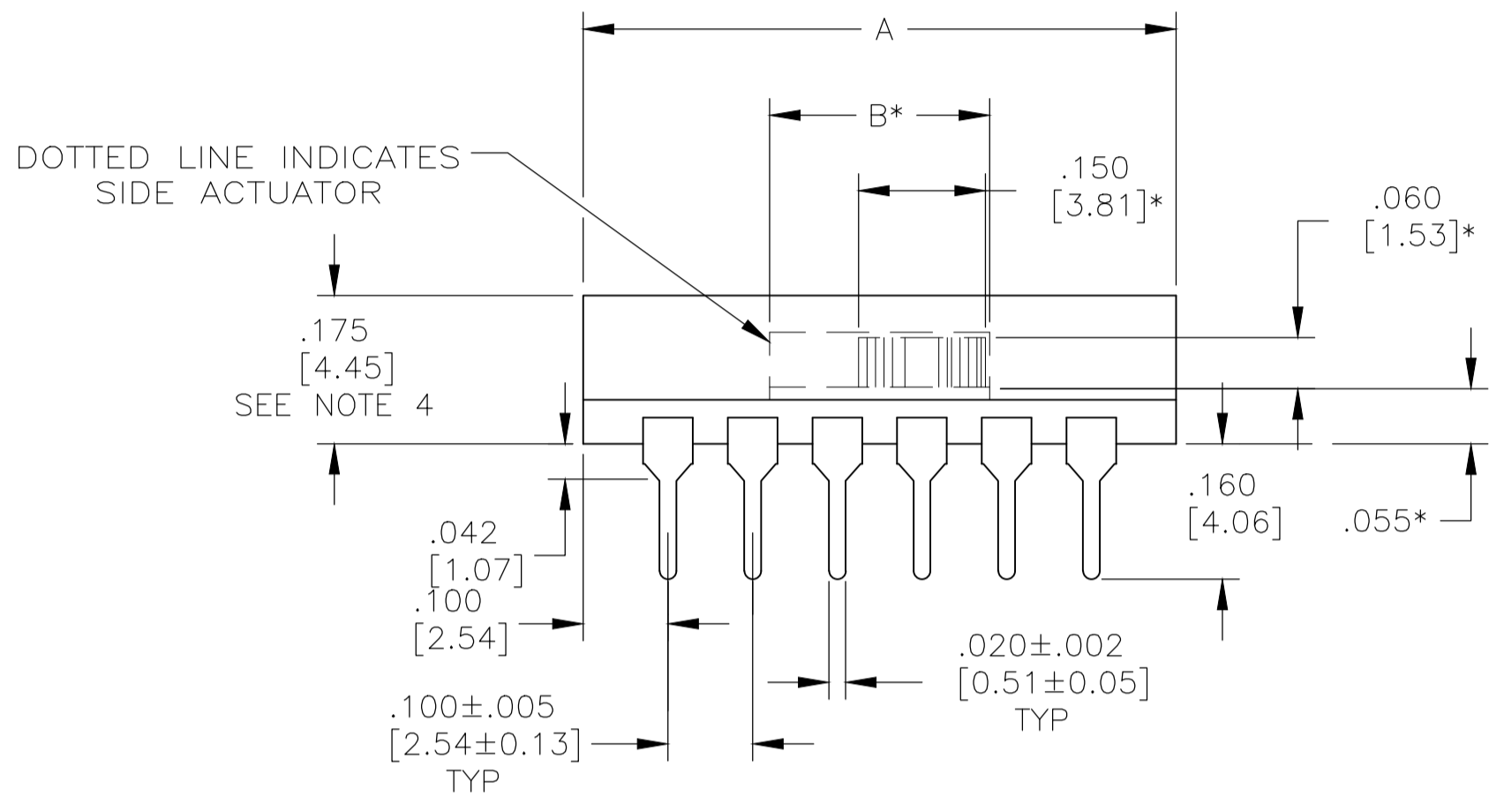


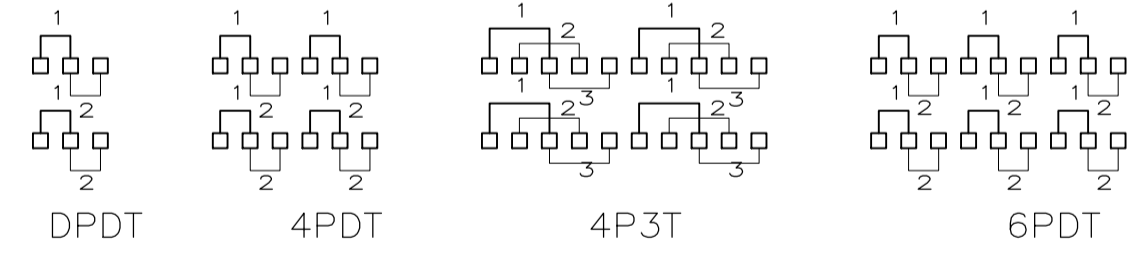
| REVISIONS | | | | |
|-----------|-----------|----|-----|-------|
| REV | DATE | BY | CHK | APP'D |
| B1 | 11MAR11 | RK | HMR | |
| B2 | 25MAY2017 | RK | PO | |



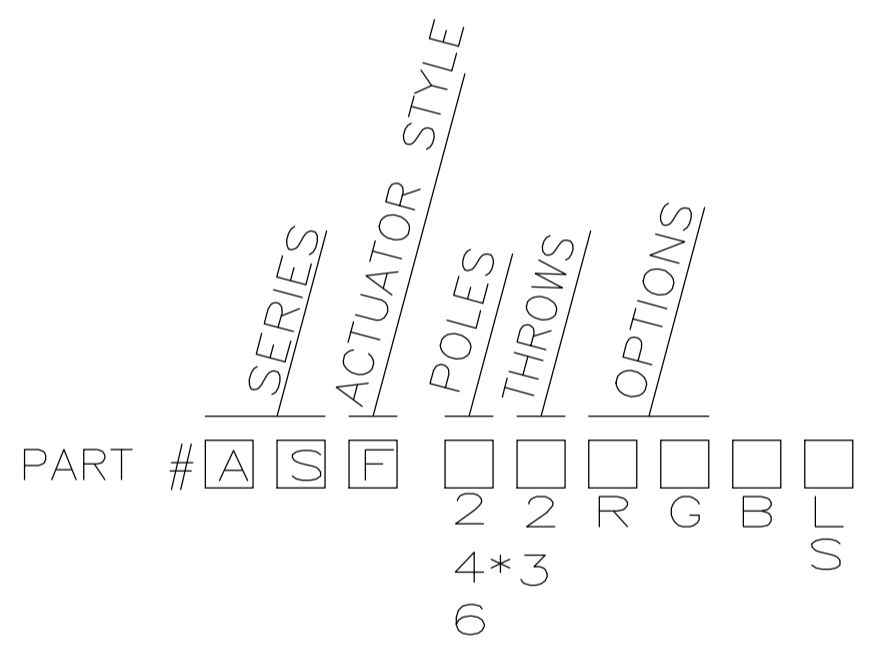
* SIDE ACTUATOR ONLY.



PRINTED CIRCUIT BOARD HOLE PATTERN



CIRCUIT DIAGRAMS



- E = EXTENDED ACTUATOR
- F = FLUSH ACTUATOR
- *3 = THROW AVAILABLE
- R = SIDE ACTUATOR
- G = GOLD CONTACTS (BLANK SILVER)
- B = BLACK ACTUATOR
- L = GULL WING STYLE SURFACE MOUNT
- S = J-LEAD STYLE SURFACE MOUNT
- TR = TAPE AND REEL PACKAGING

SPECIFICATIONS:

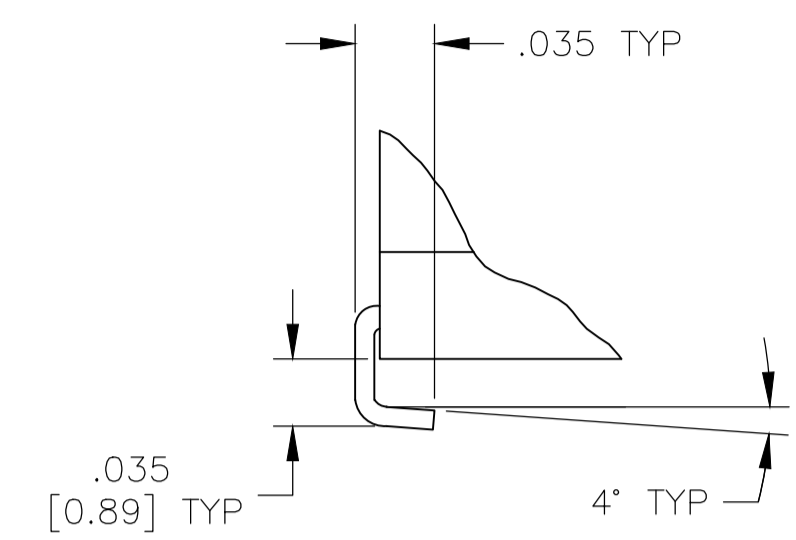
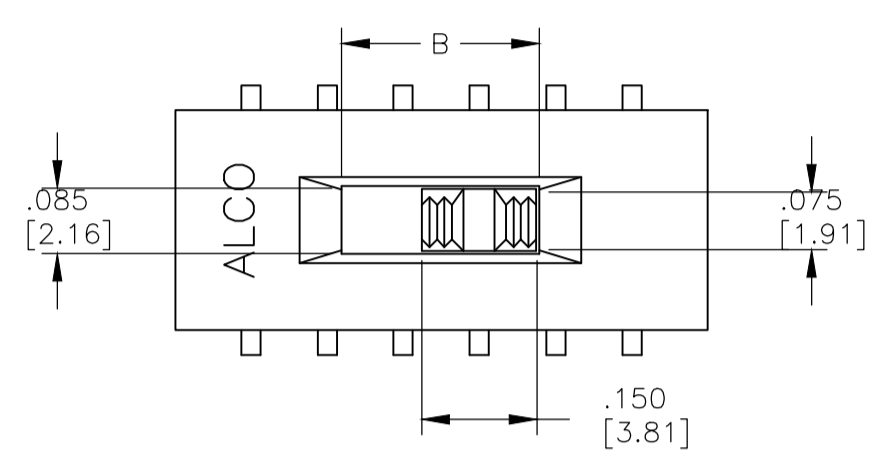
MATERIAL:
 BASE & COVER— PCT UL94V-0, BLACK.
 ACTUATOR— NYLON PA46 UL94V-0, NATURAL
 MOVING CONTACT— COPPER ALLOY,
 SILVER OR GOLD OVER NICKEL
 FIXED CONTACT— COPPER ALLOY
 SILVER OR GOLD OVER NICKEL
 TERMINAL— COPPER ALLOY TIN OVER NICKEL

ELECTRICAL:
 CONTACT RATING: SILVER: 300 MILLIAMPS @ 115 VAC.
 GOLD: 0.4 VA 20 VDC.
 CONTACT RESISTANCE: INITIAL 40 MILLIOHMS MAX.
 INSULATION RESISTANCE: 1000 MEGOHMS MAX.
 DIELECTRIC STRENGTH: 600 VOLTS RMS AT SEA LEVEL.
 LIFE EXPECTANCY: 15,000 CYCLES MIN.

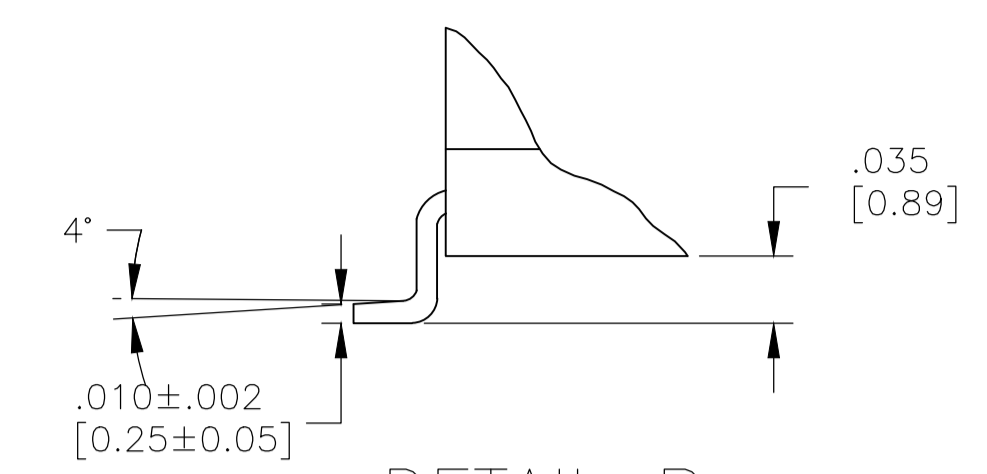
ENVIRONMENTAL:
 OPERATING TEMPERATURE: -40°F TO +176°F (-40° TO 80°)
 SOLDER HEAT RESISTANCE PER 109-202, COND B (THRU-HOLE)
 & 109-201, COND B (SMT)
 PROCESS CLEANING: WILL WITHSTAND AQUEOUS OR SOLVENT
 CLEANING PROCESSES.
 SOLDERABILITY PER EIA 364-52 CLASS 2 CATEGORY 1

| REV | DESCRIPTION | DATE | BY | CHK | APP'D | MTG STYLE | ACTUA TION | FUNCTION | ALCO P/N | P/N | |
|-----|-------------|--------------|---------------|--------------|---------------|-----------|------------|----------|----------|--------------|-------------|
| 5 | T & R | 0.105 [2.67] | 0.200 [5.08] | 0.260 [6.60] | 0.400 [10.16] | SILVER | SMT | TOP | DPDT | ASF7126004 | 8-1825011-1 |
| △ | T & R | 0.230 [5.82] | 0.800 [20.32] | 0.260 [6.60] | 1.000 [25.40] | SILVER | SMT | SIDE | 6PDT | ASF62RSTR04 | 8-1825011-0 |
| △ | TUBE | 0.230 [5.82] | 0.800 [20.32] | 0.260 [6.60] | 1.000 [25.40] | SILVER | SMT | SIDE | 6PDT | ASF62RS04 | 7-1825011-9 |
| △ | T & R | 0.230 [5.82] | 0.800 [20.32] | 0.260 [6.60] | 1.000 [25.40] | GOLD | SMT | SIDE | 6PDT | ASF62RGS04 | 7-1825011-8 |
| △ | TUBE | 0.230 [5.82] | 0.800 [20.32] | 0.260 [6.60] | 1.000 [25.40] | GOLD | SMT | SIDE | 6PDT | ASF62RGS04 | 7-1825011-7 |
| △ | T & R | 0.230 [5.82] | 0.800 [20.32] | 0.260 [6.60] | 1.000 [25.40] | SILVER | SMT | SIDE | 6PDT | ASF62RLTR04 | 7-1825011-6 |
| △ | TUBE | 0.230 [5.82] | 0.800 [20.32] | 0.260 [6.60] | 1.000 [25.40] | SILVER | SMT | SIDE | 6PDT | ASF62RL04 | 7-1825011-5 |
| △ | T & R | 0.230 [5.82] | 0.800 [20.32] | 0.260 [6.60] | 1.000 [25.40] | GOLD | SMT | SIDE | 6PDT | ASF62RGLTR04 | 7-1825011-4 |
| △ | TUBE | 0.230 [5.82] | 0.800 [20.32] | 0.260 [6.60] | 1.000 [25.40] | GOLD | SMT | SIDE | 6PDT | ASF62RGL04 | 7-1825011-3 |
| △ | T & R | 0.230 [5.82] | 0.800 [20.32] | 0.260 [6.60] | 1.000 [25.40] | SILVER | SMT | TOP | 6PDT | ASF62STR04 | 7-1825011-2 |
| △ | TUBE | 0.230 [5.82] | 0.800 [20.32] | 0.260 [6.60] | 1.000 [25.40] | SILVER | SMT | TOP | 6PDT | ASF62S04 | 7-1825011-1 |
| △ | T & R | 0.230 [5.82] | 0.800 [20.32] | 0.260 [6.60] | 1.000 [25.40] | GOLD | SMT | TOP | 6PDT | ASF62GSTR04 | 7-1825011-0 |
| △ | TUBE | 0.230 [5.82] | 0.800 [20.32] | 0.260 [6.60] | 1.000 [25.40] | GOLD | SMT | TOP | 6PDT | ASF62GS04 | 6-1825011-9 |
| △ | T & R | 0.230 [5.82] | 0.800 [20.32] | 0.260 [6.60] | 1.000 [25.40] | SILVER | SMT | TOP | 6PDT | ASF62RLTR04 | 6-1825011-8 |
| △ | TUBE | 0.230 [5.82] | 0.800 [20.32] | 0.260 [6.60] | 1.000 [25.40] | SILVER | SMT | TOP | 6PDT | ASF62RL04 | 6-1825011-7 |
| △ | T & R | 0.230 [5.82] | 0.800 [20.32] | 0.260 [6.60] | 1.000 [25.40] | GOLD | SMT | TOP | 6PDT | ASF62RGLTR04 | 6-1825011-6 |
| △ | TUBE | 0.230 [5.82] | 0.800 [20.32] | 0.260 [6.60] | 1.000 [25.40] | GOLD | SMT | TOP | 6PDT | ASF62RGL04 | 6-1825011-5 |
| △ | T & R | 0.230 [5.82] | 0.800 [20.32] | 0.260 [6.60] | 1.000 [25.40] | SILVER | THRU-HOLE | SIDE | 6PDT | ASF62RG04 | 6-1825011-4 |
| △ | TUBE | 0.230 [5.82] | 0.800 [20.32] | 0.260 [6.60] | 1.000 [25.40] | SILVER | THRU-HOLE | SIDE | 6PDT | ASF62R04 | 6-1825011-3 |
| △ | T & R | 0.230 [5.82] | 0.800 [20.32] | 0.260 [6.60] | 1.000 [25.40] | GOLD | THRU-HOLE | TOP | 6PDT | ASF62G04 | 6-1825011-2 |
| △ | TUBE | 0.230 [5.82] | 0.800 [20.32] | 0.260 [6.60] | 1.000 [25.40] | SILVER | THRU-HOLE | TOP | 6PDT | ASF6204 | 6-1825011-1 |
| △ | T & R | 0.230 [5.82] | 0.900 [22.86] | 0.360 [9.14] | 1.100 [27.94] | SILVER | SMT | SIDE | 4P3T | ASF43RSTR04 | 6-1825011-0 |
| △ | TUBE | 0.230 [5.82] | 0.900 [22.86] | 0.360 [9.14] | 1.100 [27.94] | SILVER | SMT | SIDE | 4P3T | ASF43RS04 | 5-1825011-9 |
| △ | T & R | 0.230 [5.82] | 0.900 [22.86] | 0.360 [9.14] | 1.100 [27.94] | GOLD | SMT | SIDE | 4P3T | ASF43RGS04 | 5-1825011-8 |
| △ | TUBE | 0.230 [5.82] | 0.900 [22.86] | 0.360 [9.14] | 1.100 [27.94] | GOLD | SMT | SIDE | 4P3T | ASF43RGS04 | 5-1825011-7 |
| △ | T & R | 0.230 [5.82] | 0.900 [22.86] | 0.360 [9.14] | 1.100 [27.94] | SILVER | SMT | SIDE | 4P3T | ASF43RLTR04 | 5-1825011-6 |
| △ | TUBE | 0.230 [5.82] | 0.900 [22.86] | 0.360 [9.14] | 1.100 [27.94] | SILVER | SMT | SIDE | 4P3T | ASF43RL04 | 5-1825011-5 |
| △ | T & R | 0.230 [5.82] | 0.900 [22.86] | 0.360 [9.14] | 1.100 [27.94] | GOLD | SMT | SIDE | 4P3T | ASF43RGLTR04 | 5-1825011-4 |
| △ | TUBE | 0.230 [5.82] | 0.900 [22.86] | 0.360 [9.14] | 1.100 [27.94] | GOLD | SMT | SIDE | 4P3T | ASF43RGL04 | 5-1825011-3 |
| △ | T & R | 0.230 [5.82] | 0.900 [22.86] | 0.360 [9.14] | 1.100 [27.94] | SILVER | SMT | TOP | 4P3T | ASF43STR04 | 5-1825011-2 |
| △ | TUBE | 0.230 [5.82] | 0.900 [22.86] | 0.360 [9.14] | 1.100 [27.94] | SILVER | SMT | TOP | 4P3T | ASF43S04 | 5-1825011-1 |
| △ | T & R | 0.230 [5.82] | 0.900 [22.86] | 0.360 [9.14] | 1.100 [27.94] | GOLD | SMT | TOP | 4P3T | ASF43GSTR04 | 5-1825011-0 |
| △ | TUBE | 0.230 [5.82] | 0.900 [22.86] | 0.360 [9.14] | 1.100 [27.94] | GOLD | SMT | TOP | 4P3T | ASF43GS04 | 4-1825011-9 |
| △ | T & R | 0.230 [5.82] | 0.900 [22.86] | 0.360 [9.14] | 1.100 [27.94] | SILVER | SMT | TOP | 4P3T | ASF43LTR04 | 4-1825011-8 |
| △ | TUBE | 0.230 [5.82] | 0.900 [22.86] | 0.360 [9.14] | 1.100 [27.94] | SILVER | SMT | TOP | 4P3T | ASF43L04 | 4-1825011-7 |
| △ | T & R | 0.230 [5.82] | 0.900 [22.86] | 0.360 [9.14] | 1.100 [27.94] | GOLD | SMT | TOP | 4P3T | ASF43GL04 | 4-1825011-6 |
| △ | TUBE | 0.230 [5.82] | 0.900 [22.86] | 0.360 [9.14] | 1.100 [27.94] | GOLD | SMT | TOP | 4P3T | ASF43GL04 | 4-1825011-5 |
| △ | T & R | 0.230 [5.82] | 0.900 [22.86] | 0.360 [9.14] | 1.100 [27.94] | SILVER | THRU-HOLE | SIDE | 4P3T | ASF43RG04 | 4-1825011-4 |
| △ | TUBE | 0.230 [5.82] | 0.900 [22.86] | 0.360 [9.14] | 1.100 [27.94] | SILVER | THRU-HOLE | SIDE | 4P3T | ASF43R04 | 4-1825011-3 |
| △ | T & R | 0.230 [5.82] | 0.900 [22.86] | 0.360 [9.14] | 1.100 [27.94] | GOLD | THRU-HOLE | TOP | 4P3T | ASF43G04 | 4-1825011-2 |
| △ | TUBE | 0.230 [5.82] | 0.900 [22.86] | 0.360 [9.14] | 1.100 [27.94] | SILVER | THRU-HOLE | TOP | 4P3T | ASF4304 | 4-1825011-1 |
| △ | T & R | 0.230 [5.82] | 0.500 [12.70] | 0.260 [6.60] | 0.700 [17.78] | SILVER | SMT | SIDE | 4PDT | ASF42RSTR04 | 4-1825011-0 |
| △ | TUBE | 0.230 [5.82] | 0.500 [12.70] | 0.260 [6.60] | 0.700 [17.78] | SILVER | SMT | SIDE | 4PDT | ASF42RS04 | 3-1825011-9 |
| △ | T & R | 0.230 [5.82] | 0.500 [12.70] | 0.260 [6.60] | 0.700 [17.78] | GOLD | SMT | SIDE | 4PDT | ASF42RGS04 | 3-1825011-8 |
| △ | TUBE | 0.230 [5.82] | 0.500 [12.70] | 0.260 [6.60] | 0.700 [17.78] | GOLD | SMT | SIDE | 4PDT | ASF42RGS04 | 3-1825011-7 |
| △ | T & R | 0.230 [5.82] | 0.500 [12.70] | 0.260 [6.60] | 0.700 [17.78] | SILVER | SMT | SIDE | 4PDT | ASF42RLTR04 | 3-1825011-6 |
| △ | TUBE | 0.230 [5.82] | 0.500 [12.70] | 0.260 [6.60] | 0.700 [17.78] | SILVER | SMT | SIDE | 4PDT | ASF42RL04 | 3-1825011-5 |
| △ | T & R | 0.230 [5.82] | 0.500 [12.70] | 0.260 [6.60] | 0.700 [17.78] | GOLD | SMT | SIDE | 4PDT | ASF42RGLTR04 | 3-1825011-4 |
| △ | TUBE | 0.230 [5.82] | 0.500 [12.70] | 0.260 [6.60] | 0.700 [17.78] | GOLD | SMT | SIDE | 4PDT | ASF42RGL04 | 3-1825011-3 |
| △ | T & R | 0.230 [5.82] | 0.500 [12.70] | 0.260 [6.60] | 0.700 [17.78] | SILVER | SMT | TOP | 4PDT | ASF42STR04 | 3-1825011-2 |
| △ | TUBE | 0.230 [5.82] | 0.500 [12.70] | 0.260 [6.60] | 0.700 [17.78] | SILVER | SMT | TOP | 4PDT | ASF42S04 | 3-1825011-1 |
| △ | T & R | 0.230 [5.82] | 0.500 [12.70] | 0.260 [6.60] | 0.700 [17.78] | GOLD | SMT | TOP | 4PDT | ASF42GSTR04 | 3-1825011-0 |
| △ | TUBE | 0.230 [5.82] | 0.500 [12.70] | 0.260 [6.60] | 0.700 [17.78] | GOLD | SMT | TOP | 4PDT | ASF42GS04 | 2-1825011-9 |
| △ | T & R | 0.230 [5.82] | 0.500 [12.70] | 0.260 [6.60] | 0.700 [17.78] | SILVER | SMT | TOP | 4PDT | ASF42LTR04 | 2-1825011-8 |
| △ | TUBE | 0.230 [5.82] | 0.500 [12.70] | 0.260 [6.60] | 0.700 [17.78] | SILVER | SMT | TOP | 4PDT | ASF42L04 | 2-1825011-7 |
| △ | T & R | 0.230 [5.82] | 0.500 [12.70] | 0.260 [6.60] | 0.700 [17.78] | GOLD | SMT | TOP | 4PDT | ASF42GLTR04 | 2-1825011-6 |
| △ | TUBE | 0.230 [5.82] | 0.500 [12.70] | 0.260 [6.60] | 0.700 [17.78] | GOLD | SMT | TOP | 4PDT | ASF42GL04 | 2-1825011-5 |
| △ | T & R | 0.230 [5.82] | 0.500 [12.70] | 0.260 [6.60] | 0.700 [17.78] | SILVER | THRU-HOLE | SIDE | 4PDT | ASF42RG04 | 2-1825011-4 |
| △ | TUBE | 0.230 [5.82] | 0.500 [12.70] | 0.260 [6.60] | 0.700 [17.78] | SILVER | THRU-HOLE | SIDE | 4PDT | ASF42R04 | 2-1825011-3 |
| △ | T & R | 0.230 [5.82] | 0.500 [12.70] | 0.260 [6.60] | 0.700 [17.78] | GOLD | THRU-HOLE | TOP | 4PDT | ASF42G04 | 2-1825011-2 |
| △ | TUBE | 0.230 [5.82] | 0.500 [12.70] | 0.260 [6.60] | 0.700 [17.78] | SILVER | THRU-HOLE | TOP | 4PDT | ASF4204 | 2-1825011-1 |
| △ | T & R | 0.105 [2.67] | 0.200 [5.08] | 0.260 [6.60] | 0.400 [10.16] | SILVER | SMT | SIDE | DPDT | ASF22RSTR04 | 2-1825011-0 |
| △ | TUBE | 0.105 [2.67] | 0.200 [5.08] | 0.260 [6.60] | 0.400 [10.16] | SILVER | SMT | SIDE | DPDT | ASF22RS04 | 1-1825011-9 |
| △ | T & R | 0.105 [2.67] | 0.200 [5.08] | 0.260 [6.60] | 0.400 [10.16] | GOLD | SMT | SIDE | DPDT | ASF22RGS04 | 1-1825011-8 |
| △ | TUBE | 0.105 [2.67] | 0.200 [5.08] | 0.260 [6.60] | 0.400 [10.16] | GOLD | SMT | SIDE | DPDT | ASF22RGS04 | 1-1825011-7 |
| △ | T & R | 0.105 [2.67] | 0.200 [5.08] | 0.260 [6.60] | 0.400 [10.16] | SILVER | SMT | SIDE | DPDT | ASF22RLTR04 | 1-1825011-6 |
| △ | TUBE | 0.105 [2.67] | 0.200 [5.08] | 0.260 [6.60] | 0.400 [10.16] | SILVER | SMT | SIDE | DPDT | ASF22RL04 | 1-1825011-5 |
| △ | T & R | 0.105 [2.67] | 0.200 [5.08] | 0.260 [6.60] | 0.400 [10.16] | GOLD | SMT | SIDE | DPDT | ASF22RGLTR04 | 1-1825011-4 |
| △ | TUBE | 0.105 [2.67] | 0.200 [5.08] | 0.260 [6.60] | 0.400 [10.16] | GOLD | SMT | SIDE | DPDT | ASF22RGL04 | 1-1825011-3 |
| △ | T & R | 0.105 [2.67] | 0.200 [5.08] | 0.260 [6.60] | 0.400 [10.16] | SILVER | SMT | TOP | DPDT | ASF22STR04 | 1-1825011-2 |
| △ | TUBE | 0.105 [2.67] | 0.200 [5.08] | 0.260 [6.60] | 0.400 [10.16] | SILVER | SMT | TOP | DPDT | ASF22S04 | 1-1825011-1 |
| △ | T & R | 0.105 [2.67] | 0.200 [5.08] | 0.260 [6.60] | 0.400 [10.16] | GOLD | SMT | TOP | DPDT | ASF22GSTR04 | 1-1825011-0 |
| △ | TUBE | 0.105 [2.67] | 0.200 [5.08] | 0.260 [6.60] | 0.400 [10.16] | GOLD | SMT | TOP | DPDT | ASF22GS04 | 1825011-9 |
| △ | T & R | 0.105 [2.67] | 0.200 [5.08] | 0.260 [6.60] | 0.400 [10.16] | SILVER | SMT | TOP | DPDT | ASF22LTR04 | 1825011-8 |
| △ | TUBE | 0.105 [2.67] | 0.200 [5.08] | 0.260 [6.60] | 0.400 [10.16] | SILVER | SMT | TOP | DPDT | ASF22L04 | 1825011-7 |
| △ | T & R | 0.105 [2.67] | 0.200 [5.08] | 0.260 [6.60] | 0.400 [10.16] | GOLD | SMT | TOP | DPDT | ASF22GLTR04 | 1825011-6 |
| △ | TUBE | 0.105 [2.67] | 0.200 [5.08] | 0.260 [6.60] | 0.400 [10.16] | GOLD | SMT | TOP | DPDT | ASF22GL04 | 1825011-5 |
| △ | T & R | 0.105 [2.67] | 0.200 [5.08] | 0.260 [6.60] | 0.400 [10.16] | SILVER | THRU-HOLE | SIDE | DPDT | ASF22RG04 | 1825011-4 |
| △ | TUBE | 0.105 [2.67] | 0.200 [5.08] | 0.260 [6.60] | 0.400 [10.16] | SILVER | THRU-HOLE | SIDE | DPDT | ASF22R04 | 1825011-3 |
| △ | T & | | | | | | | | | | |

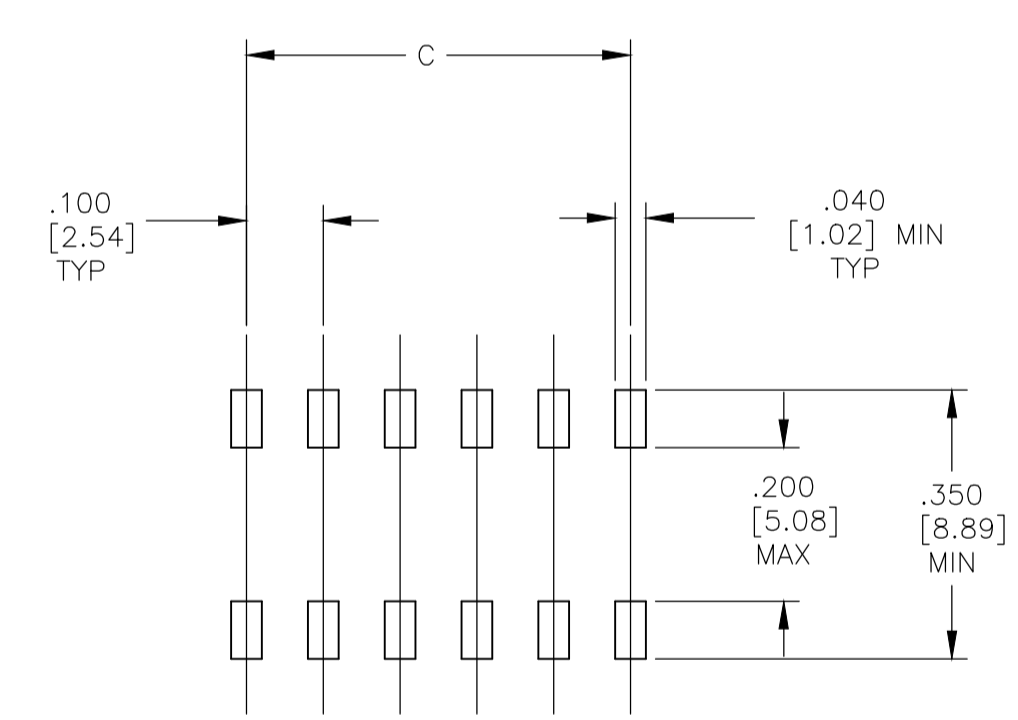
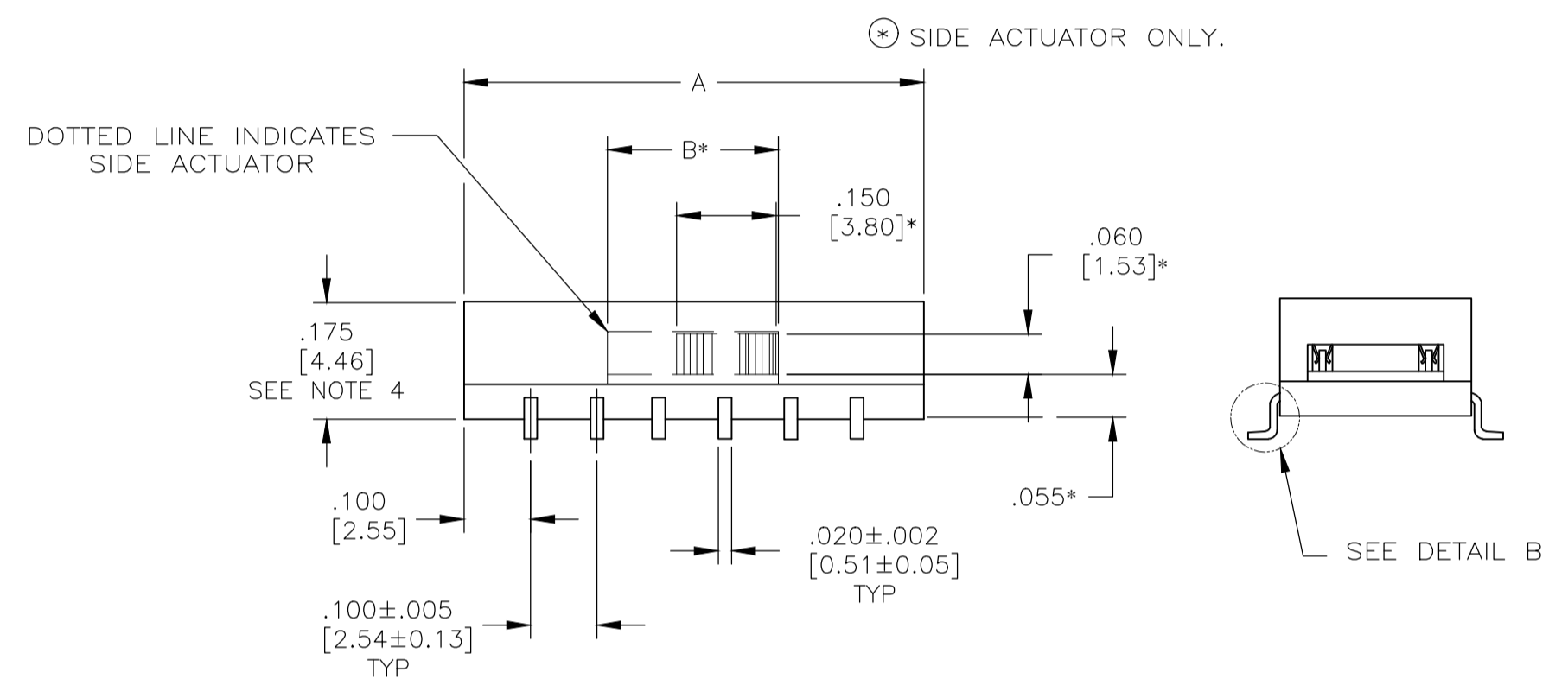
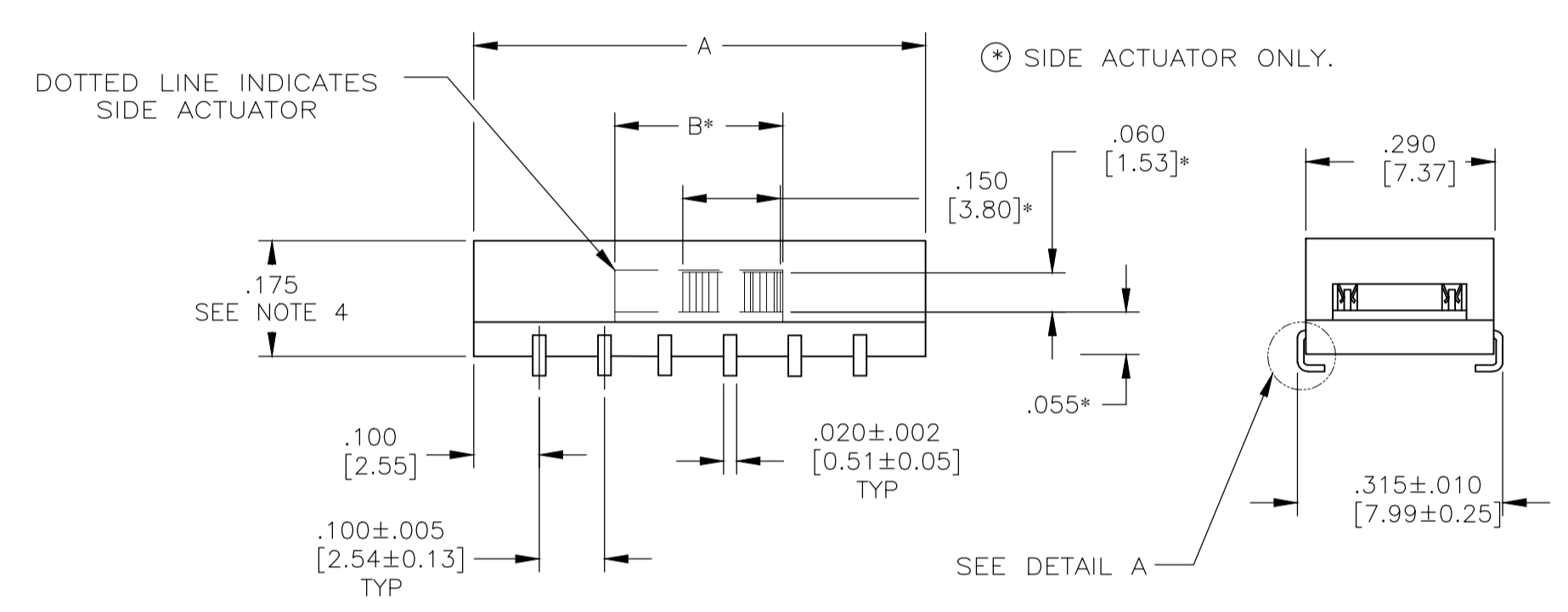
| REVISIONS | | | | |
|-----------|------|----|-------|-------------|
| REV | DATE | BY | APP'D | DESCRIPTION |
| - | - | - | - | SEE SHEET 1 |



DETAIL A
SCALE 10:1

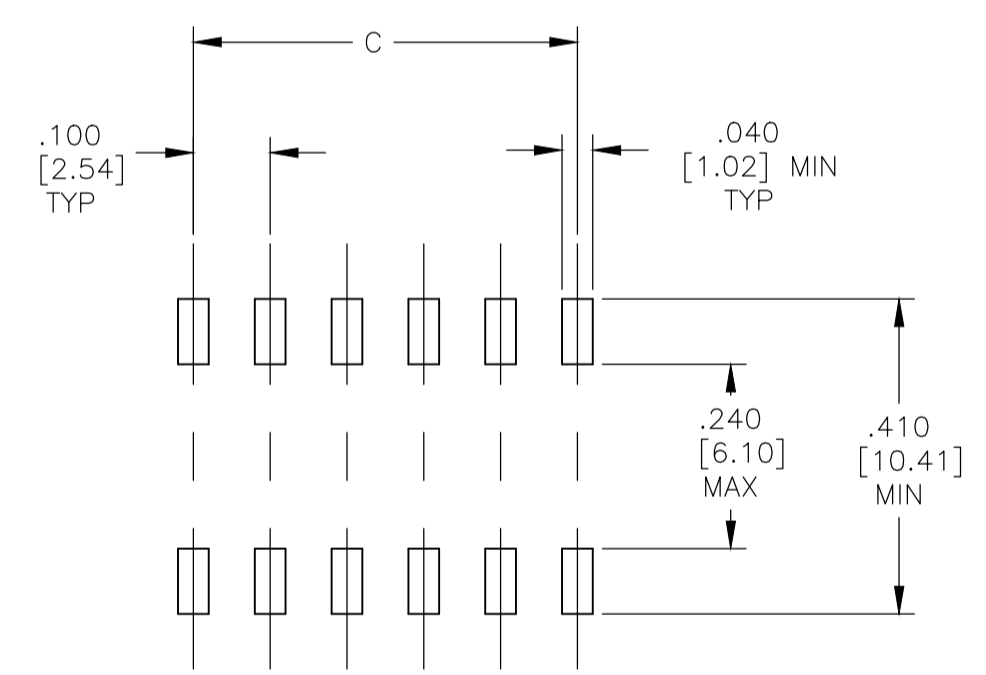


DETAIL B
SCALE 10:1



PRINTED CIRCUIT BOARD
PAD LAYOUT

"S" J-LEAD TYPE SURFACE MOUNT



PRINTED CIRCUIT BOARD
PAD LAYOUT

"L" GULL WING TYPE SURFACE MOUNT

| | | | | | |
|--|--|---------------------|------------------|--|------------------|
| THIS DRAWING IS A CONTROLLED DOCUMENT. | | DWG: B.S.VISWESWARA | 20FEB05 | TE Connectivity | |
| DIMENSIONS: INCHES [mm] | | CHK: M.S.SARVER | 20FEB05 | | |
| TOLERANCES UNLESS OTHERWISE SPECIFIED: | | APVD: M.S.SARVER | 20FEB05 | NAME: SLIDE SWITCH ASF, AUTO-INSERTABLE, THRU-HOLE AND SURFACE MOUNT | |
| 0 PLC ± - | | PRODUCT SPEC | | | |
| 1 PLC ± - | | APPLICATION SPEC | | | |
| 2 PLC ± - | | SIZE: A1 | CAGE CODE: 00779 | DRAWING NO: 1825011 | RESTRICTED TO: - |
| 3 PLC ± .01(0.25) | | WEIGHT: - | SCALE: 5:1 | SHEET: 2 OF 2 | REV: B2 |
| 4 PLC ± - | | FINISH: SEE SHEET 1 | | | |
| ANGLES ± 1° | | | | | |
| MATERIAL: SEE SHEET 1 | | | | CUSTOMER DRAWING | |

X-ON Electronics

Largest Supplier of Electrical and Electronic Components

Click to view similar products for [Slide Switches](#) category:

Click to view products by [TE Connectivity](#) manufacturer:

Other Similar products are found below :

[6-1437581-1](#) [M43R](#) [MHS123K15D](#) [MHS133K](#) [MHSS1104A](#) [MMD](#) [GH49S010001](#) [MSS12A](#) [EPS1PC1](#) [1825074-1](#) [1825160-3](#) [1825167-2](#)
[1825289-7](#) [25139NLDB](#) [25449NAH](#) [SLB1240R45](#) [1825078-1](#) [1825080-4](#) [1825269-1](#) [1825270-2](#) [STS141RA04](#) [T2215BEN506](#)
[GH46P000001](#) [GH46W000001](#) [GH49P010001](#) [25339NA](#) [M42A](#) [TG36P000000](#) [TG36P000050](#) [AYZ0202AG](#) [47227LFE](#) [49331L](#) [50208L](#)
[L203091MS02Q](#) [4-1437581-7](#) [X2225CR-437W](#) [49329L](#) [1101M1S3ZB8E2](#) [1-1437581-1](#) [MSS2225G04](#) [TG39W000000](#) [1825075-1](#)
[MSS42G](#) [TG36WS80065](#) [T105S1CWZBE](#) [SLB124145](#) [SLB1280R5](#) [SLB1340R45](#) [25136NLDB](#) [TG39W000050](#)