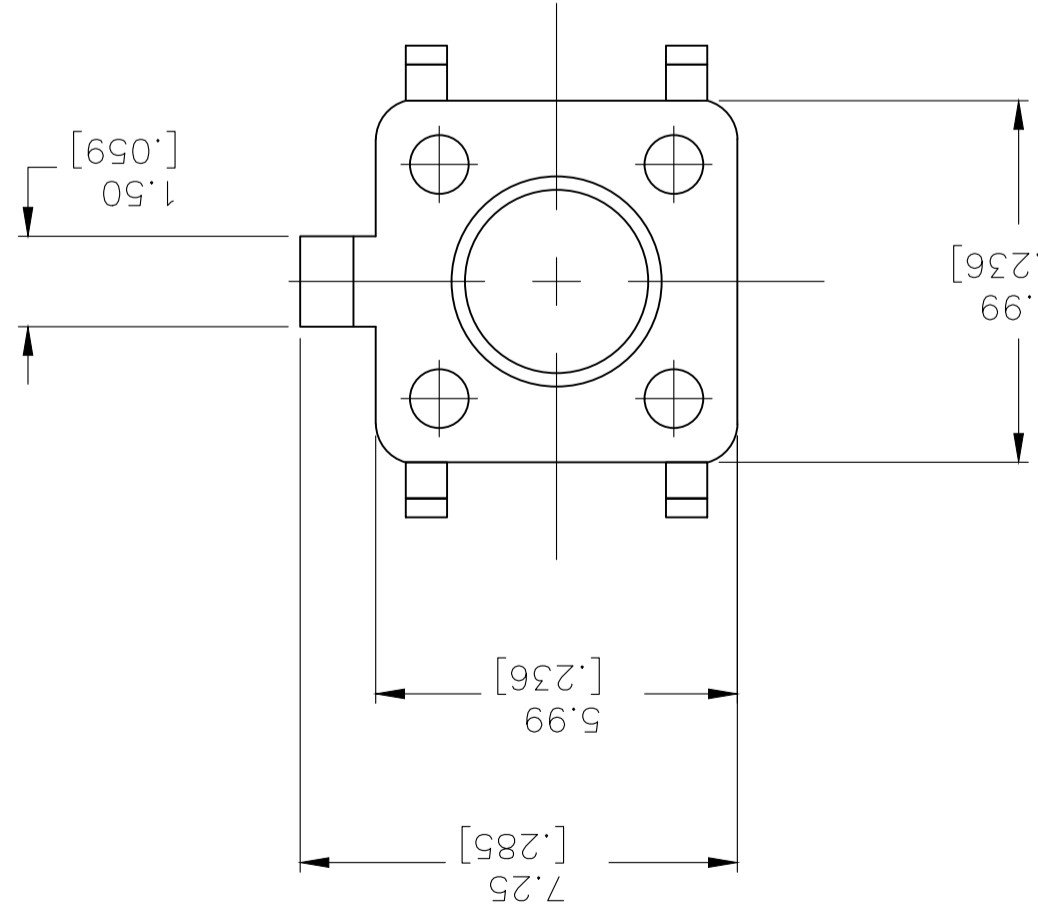
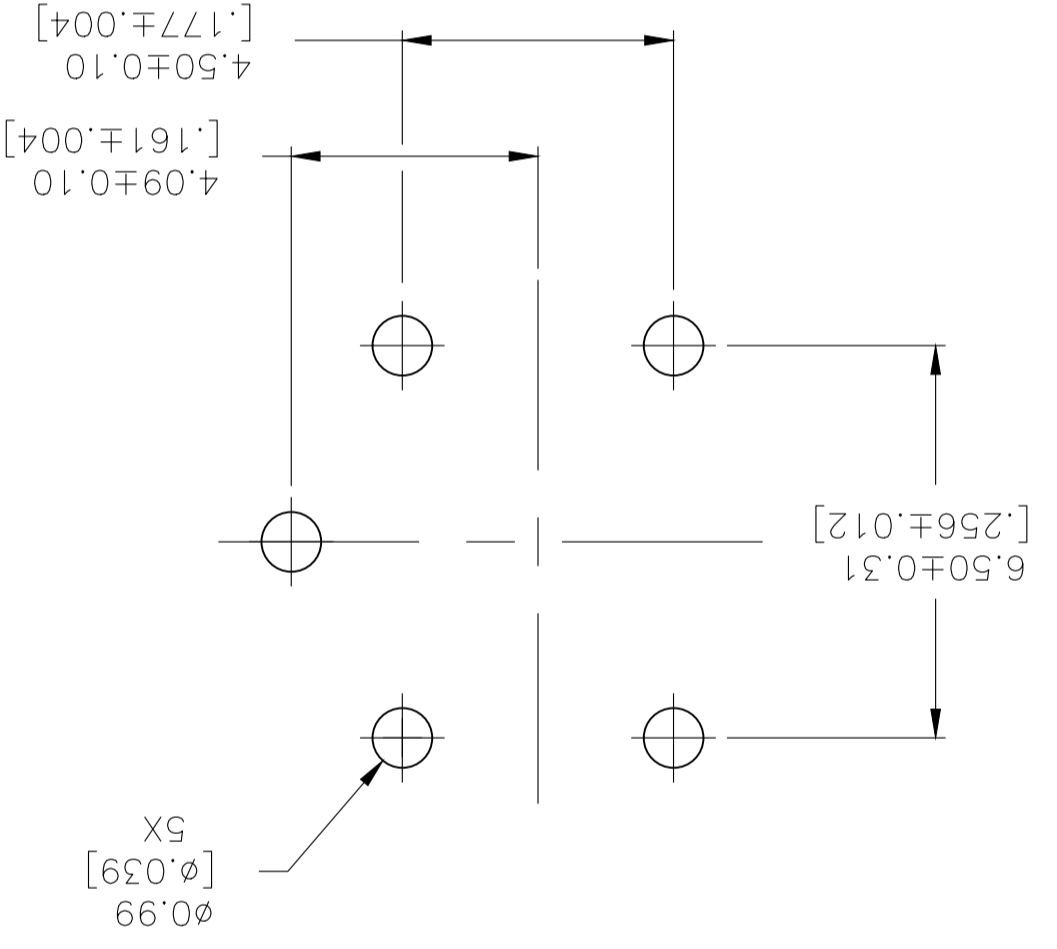
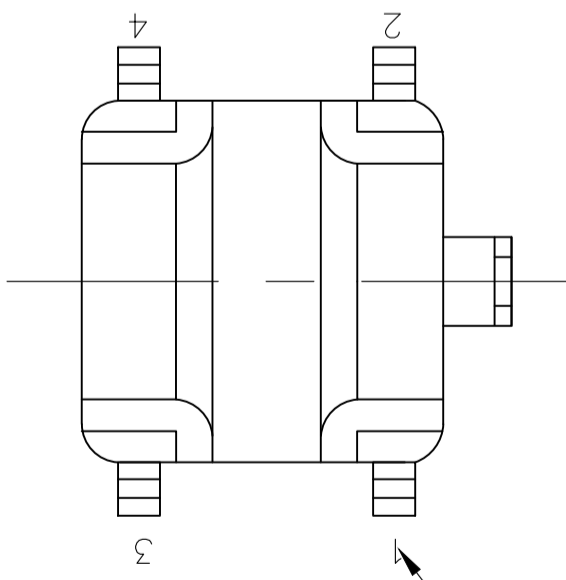
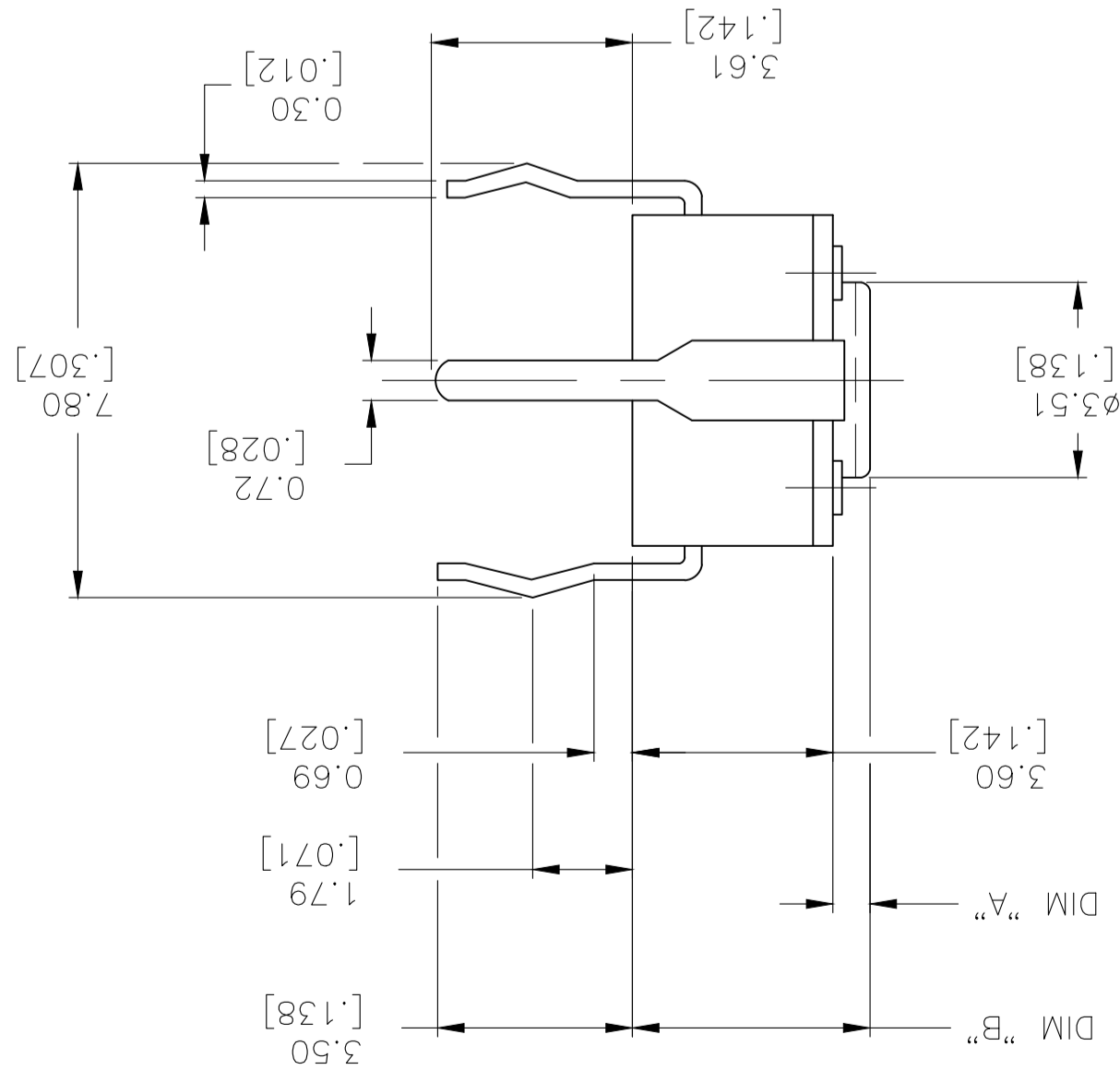
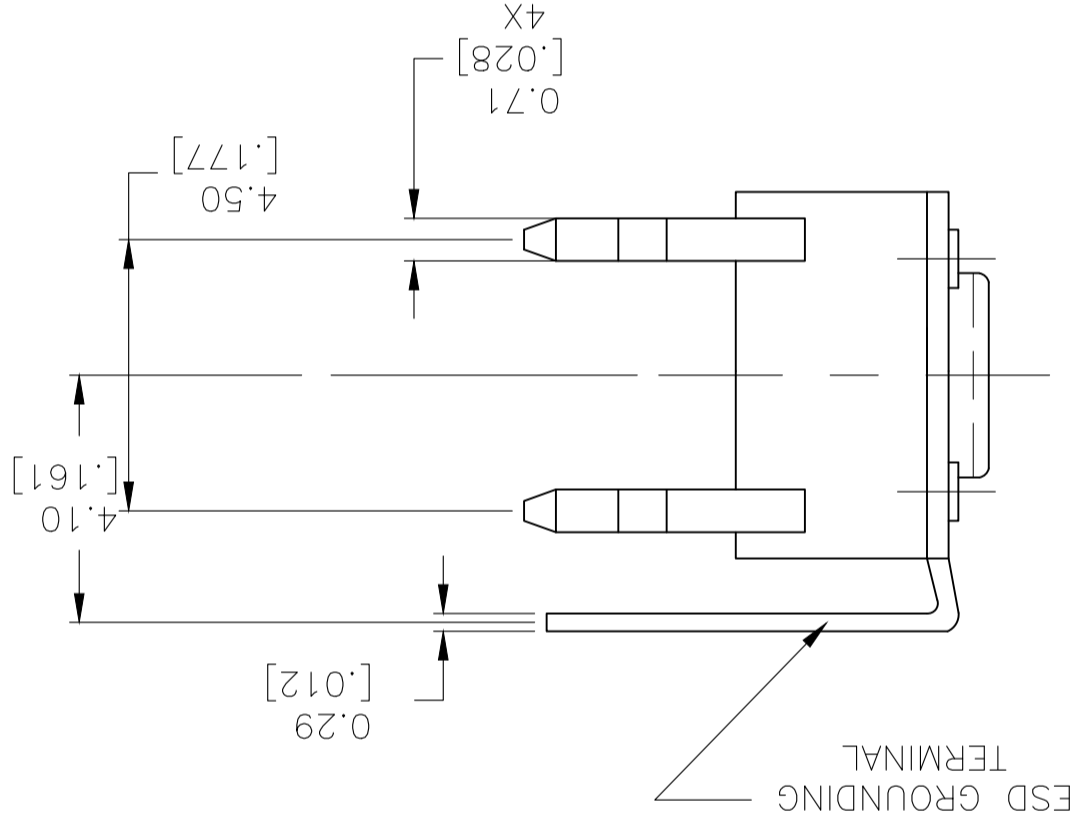
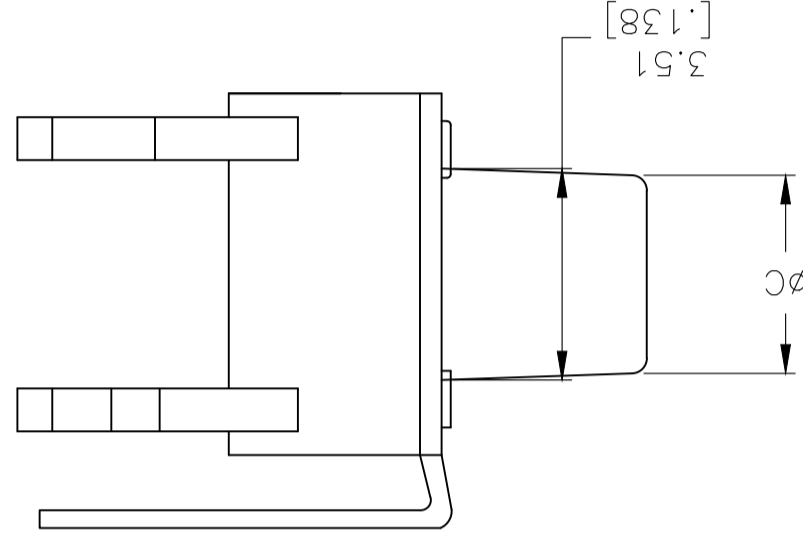


RECOMMENDED HOLE LAYOUT

TOLERANCE ±.002 UNLESS OTHERWISE NOTED



FMS5J THRU FMS17J



ACTUATOR MAT'L	ACTUATOR COLOR	ACTUATION FORCE	DIM C	DIM B	DIM A	MALCO P/N	P/N
PBT <td>BROWN <td>100 +/-50 GF <td>N/A <td>4.30 (.169) <td>0.70 (.028) <td>FSM1JLH <td>1825955-1</td> </td></td></td></td></td></td>	BROWN <td>100 +/-50 GF <td>N/A <td>4.30 (.169) <td>0.70 (.028) <td>FSM1JLH <td>1825955-1</td> </td></td></td></td></td>	100 +/-50 GF <td>N/A <td>4.30 (.169) <td>0.70 (.028) <td>FSM1JLH <td>1825955-1</td> </td></td></td></td>	N/A <td>4.30 (.169) <td>0.70 (.028) <td>FSM1JLH <td>1825955-1</td> </td></td></td>	4.30 (.169) <td>0.70 (.028) <td>FSM1JLH <td>1825955-1</td> </td></td>	0.70 (.028) <td>FSM1JLH <td>1825955-1</td> </td>	FSM1JLH <td>1825955-1</td>	1825955-1
PBT <td>BLACK <td>160 +/-50 GF <td>N/A <td>4.30 (.169) <td>0.70 (.028) <td>FSM1JH <td>1825955-2</td> </td></td></td></td></td></td>	BLACK <td>160 +/-50 GF <td>N/A <td>4.30 (.169) <td>0.70 (.028) <td>FSM1JH <td>1825955-2</td> </td></td></td></td></td>	160 +/-50 GF <td>N/A <td>4.30 (.169) <td>0.70 (.028) <td>FSM1JH <td>1825955-2</td> </td></td></td></td>	N/A <td>4.30 (.169) <td>0.70 (.028) <td>FSM1JH <td>1825955-2</td> </td></td></td>	4.30 (.169) <td>0.70 (.028) <td>FSM1JH <td>1825955-2</td> </td></td>	0.70 (.028) <td>FSM1JH <td>1825955-2</td> </td>	FSM1JH <td>1825955-2</td>	1825955-2
PBT <td>WHITE <td>260 +/-50 GF <td>N/A <td>4.30 (.169) <td>0.70 (.028) <td>FSM1JAH <td>1825955-3</td> </td></td></td></td></td></td>	WHITE <td>260 +/-50 GF <td>N/A <td>4.30 (.169) <td>0.70 (.028) <td>FSM1JAH <td>1825955-3</td> </td></td></td></td></td>	260 +/-50 GF <td>N/A <td>4.30 (.169) <td>0.70 (.028) <td>FSM1JAH <td>1825955-3</td> </td></td></td></td>	N/A <td>4.30 (.169) <td>0.70 (.028) <td>FSM1JAH <td>1825955-3</td> </td></td></td>	4.30 (.169) <td>0.70 (.028) <td>FSM1JAH <td>1825955-3</td> </td></td>	0.70 (.028) <td>FSM1JAH <td>1825955-3</td> </td>	FSM1JAH <td>1825955-3</td>	1825955-3
PBT <td>YELLOW <td>520 +/-100 GF <td>N/A <td>4.30 (.169) <td>0.70 (.028) <td>FSM1JAAH <td>1825955-4</td> </td></td></td></td></td></td>	YELLOW <td>520 +/-100 GF <td>N/A <td>4.30 (.169) <td>0.70 (.028) <td>FSM1JAAH <td>1825955-4</td> </td></td></td></td></td>	520 +/-100 GF <td>N/A <td>4.30 (.169) <td>0.70 (.028) <td>FSM1JAAH <td>1825955-4</td> </td></td></td></td>	N/A <td>4.30 (.169) <td>0.70 (.028) <td>FSM1JAAH <td>1825955-4</td> </td></td></td>	4.30 (.169) <td>0.70 (.028) <td>FSM1JAAH <td>1825955-4</td> </td></td>	0.70 (.028) <td>FSM1JAAH <td>1825955-4</td> </td>	FSM1JAAH <td>1825955-4</td>	1825955-4
PBT <td>BROWN <td>100 +/-50 GF <td>N/A <td>5.00 (.196) <td>1.40 (.055) <td>FSM3JLH <td>1825955-5</td> </td></td></td></td></td></td>	BROWN <td>100 +/-50 GF <td>N/A <td>5.00 (.196) <td>1.40 (.055) <td>FSM3JLH <td>1825955-5</td> </td></td></td></td></td>	100 +/-50 GF <td>N/A <td>5.00 (.196) <td>1.40 (.055) <td>FSM3JLH <td>1825955-5</td> </td></td></td></td>	N/A <td>5.00 (.196) <td>1.40 (.055) <td>FSM3JLH <td>1825955-5</td> </td></td></td>	5.00 (.196) <td>1.40 (.055) <td>FSM3JLH <td>1825955-5</td> </td></td>	1.40 (.055) <td>FSM3JLH <td>1825955-5</td> </td>	FSM3JLH <td>1825955-5</td>	1825955-5
PBT <td>BLACK <td>160 +/-50 GF <td>N/A <td>5.00 (.196) <td>1.40 (.055) <td>FSM3JH <td>1825955-6</td> </td></td></td></td></td></td>	BLACK <td>160 +/-50 GF <td>N/A <td>5.00 (.196) <td>1.40 (.055) <td>FSM3JH <td>1825955-6</td> </td></td></td></td></td>	160 +/-50 GF <td>N/A <td>5.00 (.196) <td>1.40 (.055) <td>FSM3JH <td>1825955-6</td> </td></td></td></td>	N/A <td>5.00 (.196) <td>1.40 (.055) <td>FSM3JH <td>1825955-6</td> </td></td></td>	5.00 (.196) <td>1.40 (.055) <td>FSM3JH <td>1825955-6</td> </td></td>	1.40 (.055) <td>FSM3JH <td>1825955-6</td> </td>	FSM3JH <td>1825955-6</td>	1825955-6
PBT <td>WHITE <td>260 +/-50 GF <td>N/A <td>5.00 (.196) <td>1.40 (.055) <td>FSM3JAH <td>1825955-7</td> </td></td></td></td></td></td>	WHITE <td>260 +/-50 GF <td>N/A <td>5.00 (.196) <td>1.40 (.055) <td>FSM3JAH <td>1825955-7</td> </td></td></td></td></td>	260 +/-50 GF <td>N/A <td>5.00 (.196) <td>1.40 (.055) <td>FSM3JAH <td>1825955-7</td> </td></td></td></td>	N/A <td>5.00 (.196) <td>1.40 (.055) <td>FSM3JAH <td>1825955-7</td> </td></td></td>	5.00 (.196) <td>1.40 (.055) <td>FSM3JAH <td>1825955-7</td> </td></td>	1.40 (.055) <td>FSM3JAH <td>1825955-7</td> </td>	FSM3JAH <td>1825955-7</td>	1825955-7
PBT <td>YELLOW <td>520 +/-100 GF <td>N/A <td>5.00 (.196) <td>1.40 (.055) <td>FSM3JAAH <td>1825955-8</td> </td></td></td></td></td></td>	YELLOW <td>520 +/-100 GF <td>N/A <td>5.00 (.196) <td>1.40 (.055) <td>FSM3JAAH <td>1825955-8</td> </td></td></td></td></td>	520 +/-100 GF <td>N/A <td>5.00 (.196) <td>1.40 (.055) <td>FSM3JAAH <td>1825955-8</td> </td></td></td></td>	N/A <td>5.00 (.196) <td>1.40 (.055) <td>FSM3JAAH <td>1825955-8</td> </td></td></td>	5.00 (.196) <td>1.40 (.055) <td>FSM3JAAH <td>1825955-8</td> </td></td>	1.40 (.055) <td>FSM3JAAH <td>1825955-8</td> </td>	FSM3JAAH <td>1825955-8</td>	1825955-8
NYLON 6/6 <td>BROWN <td>100 +/-50 GF <td>3.30(.130) <td>7.00 (.276) <td>3.40 (.134) <td>FSM5JLH <td>1825955-9</td> </td></td></td></td></td></td>	BROWN <td>100 +/-50 GF <td>3.30(.130) <td>7.00 (.276) <td>3.40 (.134) <td>FSM5JLH <td>1825955-9</td> </td></td></td></td></td>	100 +/-50 GF <td>3.30(.130) <td>7.00 (.276) <td>3.40 (.134) <td>FSM5JLH <td>1825955-9</td> </td></td></td></td>	3.30(.130) <td>7.00 (.276) <td>3.40 (.134) <td>FSM5JLH <td>1825955-9</td> </td></td></td>	7.00 (.276) <td>3.40 (.134) <td>FSM5JLH <td>1825955-9</td> </td></td>	3.40 (.134) <td>FSM5JLH <td>1825955-9</td> </td>	FSM5JLH <td>1825955-9</td>	1825955-9
NYLON 6/6 <td>BLUE <td>160 +/-50 GF <td>3.30(.130) <td>7.00 (.276) <td>3.40 (.134) <td>FSM5JH <td>1825955-10</td> </td></td></td></td></td></td>	BLUE <td>160 +/-50 GF <td>3.30(.130) <td>7.00 (.276) <td>3.40 (.134) <td>FSM5JH <td>1825955-10</td> </td></td></td></td></td>	160 +/-50 GF <td>3.30(.130) <td>7.00 (.276) <td>3.40 (.134) <td>FSM5JH <td>1825955-10</td> </td></td></td></td>	3.30(.130) <td>7.00 (.276) <td>3.40 (.134) <td>FSM5JH <td>1825955-10</td> </td></td></td>	7.00 (.276) <td>3.40 (.134) <td>FSM5JH <td>1825955-10</td> </td></td>	3.40 (.134) <td>FSM5JH <td>1825955-10</td> </td>	FSM5JH <td>1825955-10</td>	1825955-10
NYLON 6/6 <td>WHITE <td>260 +/-50 GF <td>3.30(.130) <td>7.00 (.276) <td>3.40 (.134) <td>FSM5JAH <td>1825955-11</td> </td></td></td></td></td></td>	WHITE <td>260 +/-50 GF <td>3.30(.130) <td>7.00 (.276) <td>3.40 (.134) <td>FSM5JAH <td>1825955-11</td> </td></td></td></td></td>	260 +/-50 GF <td>3.30(.130) <td>7.00 (.276) <td>3.40 (.134) <td>FSM5JAH <td>1825955-11</td> </td></td></td></td>	3.30(.130) <td>7.00 (.276) <td>3.40 (.134) <td>FSM5JAH <td>1825955-11</td> </td></td></td>	7.00 (.276) <td>3.40 (.134) <td>FSM5JAH <td>1825955-11</td> </td></td>	3.40 (.134) <td>FSM5JAH <td>1825955-11</td> </td>	FSM5JAH <td>1825955-11</td>	1825955-11
NYLON 6/6 <td>YELLOW <td>520 +/-100 GF <td>3.30(.130) <td>7.00 (.276) <td>3.40 (.134) <td>FSM5JAAH <td>1825955-12</td> </td></td></td></td></td></td>	YELLOW <td>520 +/-100 GF <td>3.30(.130) <td>7.00 (.276) <td>3.40 (.134) <td>FSM5JAAH <td>1825955-12</td> </td></td></td></td></td>	520 +/-100 GF <td>3.30(.130) <td>7.00 (.276) <td>3.40 (.134) <td>FSM5JAAH <td>1825955-12</td> </td></td></td></td>	3.30(.130) <td>7.00 (.276) <td>3.40 (.134) <td>FSM5JAAH <td>1825955-12</td> </td></td></td>	7.00 (.276) <td>3.40 (.134) <td>FSM5JAAH <td>1825955-12</td> </td></td>	3.40 (.134) <td>FSM5JAAH <td>1825955-12</td> </td>	FSM5JAAH <td>1825955-12</td>	1825955-12
PBT <td>BROWN <td>100 +/-50 GF <td>3.10 (.122) <td>9.50 (.374) <td>5.90 (.232) <td>FSM7JLH <td>1825955-13</td> </td></td></td></td></td></td>	BROWN <td>100 +/-50 GF <td>3.10 (.122) <td>9.50 (.374) <td>5.90 (.232) <td>FSM7JLH <td>1825955-13</td> </td></td></td></td></td>	100 +/-50 GF <td>3.10 (.122) <td>9.50 (.374) <td>5.90 (.232) <td>FSM7JLH <td>1825955-13</td> </td></td></td></td>	3.10 (.122) <td>9.50 (.374) <td>5.90 (.232) <td>FSM7JLH <td>1825955-13</td> </td></td></td>	9.50 (.374) <td>5.90 (.232) <td>FSM7JLH <td>1825955-13</td> </td></td>	5.90 (.232) <td>FSM7JLH <td>1825955-13</td> </td>	FSM7JLH <td>1825955-13</td>	1825955-13
PBT <td>BLACK <td>160 +/-50 GF <td>3.10 (.122) <td>9.50 (.374) <td>5.90 (.232) <td>FSM7JH <td>1825955-14</td> </td></td></td></td></td></td>	BLACK <td>160 +/-50 GF <td>3.10 (.122) <td>9.50 (.374) <td>5.90 (.232) <td>FSM7JH <td>1825955-14</td> </td></td></td></td></td>	160 +/-50 GF <td>3.10 (.122) <td>9.50 (.374) <td>5.90 (.232) <td>FSM7JH <td>1825955-14</td> </td></td></td></td>	3.10 (.122) <td>9.50 (.374) <td>5.90 (.232) <td>FSM7JH <td>1825955-14</td> </td></td></td>	9.50 (.374) <td>5.90 (.232) <td>FSM7JH <td>1825955-14</td> </td></td>	5.90 (.232) <td>FSM7JH <td>1825955-14</td> </td>	FSM7JH <td>1825955-14</td>	1825955-14
PBT <td>WHITE <td>260 +/-50 GF <td>3.10 (.122) <td>9.50 (.374) <td>5.90 (.232) <td>FSM7JAH <td>1825955-15</td> </td></td></td></td></td></td>	WHITE <td>260 +/-50 GF <td>3.10 (.122) <td>9.50 (.374) <td>5.90 (.232) <td>FSM7JAH <td>1825955-15</td> </td></td></td></td></td>	260 +/-50 GF <td>3.10 (.122) <td>9.50 (.374) <td>5.90 (.232) <td>FSM7JAH <td>1825955-15</td> </td></td></td></td>	3.10 (.122) <td>9.50 (.374) <td>5.90 (.232) <td>FSM7JAH <td>1825955-15</td> </td></td></td>	9.50 (.374) <td>5.90 (.232) <td>FSM7JAH <td>1825955-15</td> </td></td>	5.90 (.232) <td>FSM7JAH <td>1825955-15</td> </td>	FSM7JAH <td>1825955-15</td>	1825955-15
PBT <td>YELLOW <td>520 +/-100 GF <td>3.10 (.122) <td>9.50 (.374) <td>5.90 (.232) <td>FSM7JAAH <td>1825955-16</td> </td></td></td></td></td></td>	YELLOW <td>520 +/-100 GF <td>3.10 (.122) <td>9.50 (.374) <td>5.90 (.232) <td>FSM7JAAH <td>1825955-16</td> </td></td></td></td></td>	520 +/-100 GF <td>3.10 (.122) <td>9.50 (.374) <td>5.90 (.232) <td>FSM7JAAH <td>1825955-16</td> </td></td></td></td>	3.10 (.122) <td>9.50 (.374) <td>5.90 (.232) <td>FSM7JAAH <td>1825955-16</td> </td></td></td>	9.50 (.374) <td>5.90 (.232) <td>FSM7JAAH <td>1825955-16</td> </td></td>	5.90 (.232) <td>FSM7JAAH <td>1825955-16</td> </td>	FSM7JAAH <td>1825955-16</td>	1825955-16
NYLON 6/6 <td>BROWN <td>100 +/-50 GF <td>3.25 (.128) <td>7.30 (.287) <td>3.70 (.146) <td>FSM9JLH <td>1825955-17</td> </td></td></td></td></td></td>	BROWN <td>100 +/-50 GF <td>3.25 (.128) <td>7.30 (.287) <td>3.70 (.146) <td>FSM9JLH <td>1825955-17</td> </td></td></td></td></td>	100 +/-50 GF <td>3.25 (.128) <td>7.30 (.287) <td>3.70 (.146) <td>FSM9JLH <td>1825955-17</td> </td></td></td></td>	3.25 (.128) <td>7.30 (.287) <td>3.70 (.146) <td>FSM9JLH <td>1825955-17</td> </td></td></td>	7.30 (.287) <td>3.70 (.146) <td>FSM9JLH <td>1825955-17</td> </td></td>	3.70 (.146) <td>FSM9JLH <td>1825955-17</td> </td>	FSM9JLH <td>1825955-17</td>	1825955-17
NYLON 6/6 <td>BLACK <td>160 +/-50 GF <td>3.25 (.128) <td>7.30 (.287) <td>3.70 (.146) <td>FSM9JH <td>1825955-18</td> </td></td></td></td></td></td>	BLACK <td>160 +/-50 GF <td>3.25 (.128) <td>7.30 (.287) <td>3.70 (.146) <td>FSM9JH <td>1825955-18</td> </td></td></td></td></td>	160 +/-50 GF <td>3.25 (.128) <td>7.30 (.287) <td>3.70 (.146) <td>FSM9JH <td>1825955-18</td> </td></td></td></td>	3.25 (.128) <td>7.30 (.287) <td>3.70 (.146) <td>FSM9JH <td>1825955-18</td> </td></td></td>	7.30 (.287) <td>3.70 (.146) <td>FSM9JH <td>1825955-18</td> </td></td>	3.70 (.146) <td>FSM9JH <td>1825955-18</td> </td>	FSM9JH <td>1825955-18</td>	1825955-18
NYLON 6/6 <td>WHITE <td>260 +/-50 GF <td>3.25 (.128) <td>7.30 (.287) <td>3.70 (.146) <td>FSM9JAH <td>1825955-19</td> </td></td></td></td></td></td>	WHITE <td>260 +/-50 GF <td>3.25 (.128) <td>7.30 (.287) <td>3.70 (.146) <td>FSM9JAH <td>1825955-19</td> </td></td></td></td></td>	260 +/-50 GF <td>3.25 (.128) <td>7.30 (.287) <td>3.70 (.146) <td>FSM9JAH <td>1825955-19</td> </td></td></td></td>	3.25 (.128) <td>7.30 (.287) <td>3.70 (.146) <td>FSM9JAH <td>1825955-19</td> </td></td></td>	7.30 (.287) <td>3.70 (.146) <td>FSM9JAH <td>1825955-19</td> </td></td>	3.70 (.146) <td>FSM9JAH <td>1825955-19</td> </td>	FSM9JAH <td>1825955-19</td>	1825955-19
NYLON 6/6 <td>YELLOW <td>520 +/-100 GF <td>3.25 (.128) <td>7.30 (.287) <td>3.70 (.146) <td>FSM9JAAH <td>1825955-20</td> </td></td></td></td></td></td>	YELLOW <td>520 +/-100 GF <td>3.25 (.128) <td>7.30 (.287) <td>3.70 (.146) <td>FSM9JAAH <td>1825955-20</td> </td></td></td></td></td>	520 +/-100 GF <td>3.25 (.128) <td>7.30 (.287) <td>3.70 (.146) <td>FSM9JAAH <td>1825955-20</td> </td></td></td></td>	3.25 (.128) <td>7.30 (.287) <td>3.70 (.146) <td>FSM9JAAH <td>1825955-20</td> </td></td></td>	7.30 (.287) <td>3.70 (.146) <td>FSM9JAAH <td>1825955-20</td> </td></td>	3.70 (.146) <td>FSM9JAAH <td>1825955-20</td> </td>	FSM9JAAH <td>1825955-20</td>	1825955-20
NYLON 6/6 <td>BROWN <td>100 +/-50 GF <td>3.20 (.126) <td>8.00 (.315) <td>4.40 (.173) <td>FSM11JLH <td>1825955-21</td> </td></td></td></td></td></td>	BROWN <td>100 +/-50 GF <td>3.20 (.126) <td>8.00 (.315) <td>4.40 (.173) <td>FSM11JLH <td>1825955-21</td> </td></td></td></td></td>	100 +/-50 GF <td>3.20 (.126) <td>8.00 (.315) <td>4.40 (.173) <td>FSM11JLH <td>1825955-21</td> </td></td></td></td>	3.20 (.126) <td>8.00 (.315) <td>4.40 (.173) <td>FSM11JLH <td>1825955-21</td> </td></td></td>	8.00 (.315) <td>4.40 (.173) <td>FSM11JLH <td>1825955-21</td> </td></td>	4.40 (.173) <td>FSM11JLH <td>1825955-21</td> </td>	FSM11JLH <td>1825955-21</td>	1825955-21
NYLON 6/6 <td>WHITE <td>160 +/-50 GF <td>3.20 (.126) <td>8.00 (.315) <td>4.40 (.173) <td>FSM11JH <td>1825955-22</td> </td></td></td></td></td></td>	WHITE <td>160 +/-50 GF <td>3.20 (.126) <td>8.00 (.315) <td>4.40 (.173) <td>FSM11JH <td>1825955-22</td> </td></td></td></td></td>	160 +/-50 GF <td>3.20 (.126) <td>8.00 (.315) <td>4.40 (.173) <td>FSM11JH <td>1825955-22</td> </td></td></td></td>	3.20 (.126) <td>8.00 (.315) <td>4.40 (.173) <td>FSM11JH <td>1825955-22</td> </td></td></td>	8.00 (.315) <td>4.40 (.173) <td>FSM11JH <td>1825955-22</td> </td></td>	4.40 (.173) <td>FSM11JH <td>1825955-22</td> </td>	FSM11JH <td>1825955-22</td>	1825955-22
NYLON 6/6 <td>YELLOW <td>260 +/-50 GF <td>3.20 (.126) <td>8.00 (.315) <td>4.40 (.173) <td>FSM11JAH <td>1825955-23</td> </td></td></td></td></td></td>	YELLOW <td>260 +/-50 GF <td>3.20 (.126) <td>8.00 (.315) <td>4.40 (.173) <td>FSM11JAH <td>1825955-23</td> </td></td></td></td></td>	260 +/-50 GF <td>3.20 (.126) <td>8.00 (.315) <td>4.40 (.173) <td>FSM11JAH <td>1825955-23</td> </td></td></td></td>	3.20 (.126) <td>8.00 (.315) <td>4.40 (.173) <td>FSM11JAH <td>1825955-23</td> </td></td></td>	8.00 (.315) <td>4.40 (.173) <td>FSM11JAH <td>1825955-23</td> </td></td>	4.40 (.173) <td>FSM11JAH <td>1825955-23</td> </td>	FSM11JAH <td>1825955-23</td>	1825955-23
NYLON 6/6 <td>YELLOW <td>520 +/-100 GF <td>3.20 (.126) <td>8.00 (.315) <td>4.40 (.173) <td>FSM11JAAH <td>1825955-24</td> </td></td></td></td></td></td>	YELLOW <td>520 +/-100 GF <td>3.20 (.126) <td>8.00 (.315) <td>4.40 (.173) <td>FSM11JAAH <td>1825955-24</td> </td></td></td></td></td>	520 +/-100 GF <td>3.20 (.126) <td>8.00 (.315) <td>4.40 (.173) <td>FSM11JAAH <td>1825955-24</td> </td></td></td></td>	3.20 (.126) <td>8.00 (.315) <td>4.40 (.173) <td>FSM11JAAH <td>1825955-24</td> </td></td></td>	8.00 (.315) <td>4.40 (.173) <td>FSM11JAAH <td>1825955-24</td> </td></td>	4.40 (.173) <td>FSM11JAAH <td>1825955-24</td> </td>	FSM11JAAH <td>1825955-24</td>	1825955-24
NYLON 6/6 <td>BROWN <td>100 +/-50 GF <td>2.87 (.118) <td>13.00 (.512) <td>9.40 (.370) <td>FSM13JLH <td>1825955-25</td> </td></td></td></td></td></td>	BROWN <td>100 +/-50 GF <td>2.87 (.118) <td>13.00 (.512) <td>9.40 (.370) <td>FSM13JLH <td>1825955-25</td> </td></td></td></td></td>	100 +/-50 GF <td>2.87 (.118) <td>13.00 (.512) <td>9.40 (.370) <td>FSM13JLH <td>1825955-25</td> </td></td></td></td>	2.87 (.118) <td>13.00 (.512) <td>9.40 (.370) <td>FSM13JLH <td>1825955-25</td> </td></td></td>	13.00 (.512) <td>9.40 (.370) <td>FSM13JLH <td>1825955-25</td> </td></td>	9.40 (.370) <td>FSM13JLH <td>1825955-25</td> </td>	FSM13JLH <td>1825955-25</td>	1825955-25
NYLON 6/6 <td>BLACK <td>160 +/-50 GF <td>2.87 (.118) <td>13.00 (.512) <td>9.40 (.370) <td>FSM13JH <td>1825955-26</td> </td></td></td></td></td></td>	BLACK <td>160 +/-50 GF <td>2.87 (.118) <td>13.00 (.512) <td>9.40 (.370) <td>FSM13JH <td>1825955-26</td> </td></td></td></td></td>	160 +/-50 GF <td>2.87 (.118) <td>13.00 (.512) <td>9.40 (.370) <td>FSM13JH <td>1825955-26</td> </td></td></td></td>	2.87 (.118) <td>13.00 (.512) <td>9.40 (.370) <td>FSM13JH <td>1825955-26</td> </td></td></td>	13.00 (.512) <td>9.40 (.370) <td>FSM13JH <td>1825955-26</td> </td></td>	9.40 (.370) <td>FSM13JH <td>1825955-26</td> </td>	FSM13JH <td>1825955-26</td>	1825955-26
NYLON 6/6 <td>WHITE <td>260 +/-50 GF <td>2.87 (.118) <td>13.00 (.512) <td>9.40 (.370) <td>FSM13JAH <td>1825955-27</td> </td></td></td></td></td></td>	WHITE <td>260 +/-50 GF <td>2.87 (.118) <td>13.00 (.512) <td>9.40 (.370) <td>FSM13JAH <td>1825955-27</td> </td></td></td></td></td>	260 +/-50 GF <td>2.87 (.118) <td>13.00 (.512) <td>9.40 (.370) <td>FSM13JAH <td>1825955-27</td> </td></td></td></td>	2.87 (.118) <td>13.00 (.512) <td>9.40 (.370) <td>FSM13JAH <td>1825955-27</td> </td></td></td>	13.00 (.512) <td>9.40 (.370) <td>FSM13JAH <td>1825955-27</td> </td></td>	9.40 (.370) <td>FSM13JAH <td>1825955-27</td> </td>	FSM13JAH <td>1825955-27</td>	1825955-27
NYLON 6/6 <td>YELLOW <td>520 +/-100 GF <td>2.87 (.118) <td>13.00 (.512) <td>9.40 (.370) <td>FSM13JAAH <td>1825955-28</td> </td></td></td></td></td></td>	YELLOW <td>520 +/-100 GF <td>2.87 (.118) <td>13.00 (.512) <td>9.40 (.370) <td>FSM13JAAH <td>1825955-28</td> </td></td></td></td></td>	520 +/-100 GF <td>2.87 (.118) <td>13.00 (.512) <td>9.40 (.370) <td>FSM13JAAH <td>1825955-28</td> </td></td></td></td>	2.87 (.118) <td>13.00 (.512) <td>9.40 (.370) <td>FSM13JAAH <td>1825955-28</td> </td></td></td>	13.00 (.512) <td>9.40 (.370) <td>FSM13JAAH <td>1825955-28</td> </td></td>	9.40 (.370) <td>FSM13JAAH <td>1825955-28</td> </td>	FSM13JAAH <td>1825955-28</td>	1825955-28
NYLON 6/6 <td>BROWN <td>100 +/-50 GF <td>2.80 (.110) <td>17.00 (.669) <td>13.40 (.527) <td>FSM15JLH <td>1825955-29</td> </td></td></td></td></td></td>	BROWN <td>100 +/-50 GF <td>2.80 (.110) <td>17.00 (.669) <td>13.40 (.527) <td>FSM15JLH <td>1825955-29</td> </td></td></td></td></td>	100 +/-50 GF <td>2.80 (.110) <td>17.00 (.669) <td>13.40 (.527) <td>FSM15JLH <td>1825955-29</td> </td></td></td></td>	2.80 (.110) <td>17.00 (.669) <td>13.40 (.527) <td>FSM15JLH <td>1825955-29</td> </td></td></td>	17.00 (.669) <td>13.40 (.527) <td>FSM15JLH <td>1825955-29</td> </td></td>	13.40 (.527) <td>FSM15JLH <td>1825955-29</td> </td>	FSM15JLH <td>1825955-29</td>	1825955-29
NYLON 6/6 <td>BLACK <td>160 +/-50 GF <td>2.80 (.110) <td>17.00 (.669) <td>13.40 (.527) <td>FSM15JH <td>1825955-30</td> </td></td></td></td></td></td>	BLACK <td>160 +/-50 GF <td>2.80 (.110) <td>17.00 (.669) <td>13.40 (.527) <td>FSM15JH <td>1825955-30</td> </td></td></td></td></td>	160 +/-50 GF <td>2.80 (.110) <td>17.00 (.669) <td>13.40 (.527) <td>FSM15JH <td>1825955-30</td> </td></td></td></td>	2.80 (.110) <td>17.00 (.669) <td>13.40 (.527) <td>FSM15JH <td>1825955-30</td> </td></td></td>	17.00 (.669) <td>13.40 (.527) <td>FSM15JH <td>1825955-30</td> </td></td>	13.40 (.527) <td>FSM15JH <td>1825955-30</td> </td>	FSM15JH <td>1825955-30</td>	1825955-30
NYLON 6/6 <td>WHITE <td>260 +/-50 GF <td>2.80 (.110) <td>17.00 (.669) <td>13.40 (.527) <td>FSM15JAH <td>1825955-31</td> </td></td></td></td></td></td>	WHITE <td>260 +/-50 GF <td>2.80 (.110) <td>17.00 (.669) <td>13.40 (.527) <td>FSM15JAH <td>1825955-31</td> </td></td></td></td></td>	260 +/-50 GF <td>2.80 (.110) <td>17.00 (.669) <td>13.40 (.527) <td>FSM15JAH <td>1825955-31</td> </td></td></td></td>	2.80 (.110) <td>17.00 (.669) <td>13.40 (.527) <td>FSM15JAH <td>1825955-31</td> </td></td></td>	17.00 (.669) <td>13.40 (.527) <td>FSM15JAH <td>1825955-31</td> </td></td>	13.40 (.527) <td>FSM15JAH <td>1825955-31</td> </td>	FSM15JAH <td>1825955-31</td>	1825955-31
NYLON 6/6 <td>YELLOW <td>520 +/-100 GF <td>2.80 (.110) <td>17.00 (.669) <td>13.40 (.527) <td>FSM15JAAH <td>1825955-32</td> </td></td></td></td></td></td>	YELLOW <td>520 +/-100 GF <td>2.80 (.110) <td>17.00 (.669) <td>13.40 (.527) <td>FSM15JAAH <td>1825955-32</td> </td></td></td></td></td>	520 +/-100 GF <td>2.80 (.110) <td>17.00 (.669) <td>13.40 (.527) <td>FSM15JAAH <td>1825955-32</td> </td></td></td></td>	2.80 (.110) <td>17.00 (.669) <td>13.40 (.527) <td>FSM15JAAH <td>1825955-32</td> </td></td></td>	17.00 (.669) <td>13.40 (.527) <td>FSM15JAAH <td>1825955-32</td> </td></td>	13.40 (.527) <td>FSM15JAAH <td>1825955-32</td> </td>	FSM15JAAH <td>1825955-32</td>	1825955-32
NYLON 6/6 <td>BROWN <td>100 +/-50 GF <td>3.09 (.122) <td>8.50 (.335) <td>4.90 (.193) <td>FSM17JLH <td>1825955-33</td> </td></td></td></td></td></td>	BROWN <td>100 +/-50 GF <td>3.09 (.122) <td>8.50 (.335) <td>4.90 (.193) <td>FSM17JLH <td>1825955-33</td> </td></td></td></td></td>	100 +/-50 GF <td>3.09 (.122) <td>8.50 (.335) <td>4.90 (.193) <td>FSM17JLH <td>1825955-33</td> </td></td></td></td>	3.09 (.122) <td>8.50 (.335) <td>4.90 (.193) <td>FSM17JLH <td>1825955-33</td> </td></td></td>	8.50 (.335) <td>4.90 (.193) <td>FSM17JLH <td>1825955-33</td> </td></td>	4.90 (.193) <td>FSM17JLH <td>1825955-33</td> </td>	FSM17JLH <td>1825955-33</td>	1825955-33
NYLON 6/6 <td>BLACK <td>160 +/-50 GF <td>3.09 (.122) <td>8.50 (.335) <td>4.90 (.193) <td>FSM17JH <td>1825955-34</td> </td></td></td></td></td></td>	BLACK <td>160 +/-50 GF <td>3.09 (.122) <td>8.50 (.335) <td>4.90 (.193) <td>FSM17JH <td>1825955-34</td> </td></td></td></td></td>	160 +/-50 GF <td>3.09 (.122) <td>8.50 (.335) <td>4.90 (.193) <td>FSM17JH <td>1825955-34</td> </td></td></td></td>	3.09 (.122) <td>8.50 (.335) <td>4.90 (.193) <td>FSM17JH <td>1825955-34</td> </td></td></td>	8.50 (.335) <td>4.90 (.193) <td>FSM17JH <td>1825955-34</td> </td></td>	4.90 (.193) <td>FSM17JH <td>1825955-34</td> </td>	FSM17JH <td>1825955-34</td>	1825955-34
NYLON 6/6 <td>WHITE <td>260 +/-50 GF <td>3.09 (.122) <td>8.50 (.335) <td>4.90 (.193) <td>FSM17JAH <td>1825955-35</td> </td></td></td></td></td></td>	WHITE <td>260 +/-50 GF <td>3.09 (.122) <td>8.50 (.335) <td>4.90 (.193) <td>FSM17JAH <td>1825955-35</td> </td></td></td></td></td>	260 +/-50 GF <td>3.09 (.122) <td>8.50 (.335) <td>4.90 (.193) <td>FSM17JAH <td>1825955-35</td> </td></td></td></td>	3.09 (.122) <td>8.50 (.335) <td>4.90 (.193) <td>FSM17JAH <td>1825955-35</td> </td></td></td>	8.50 (.335) <td>4.90 (.193) <td>FSM17JAH <td>1825955-35</td> </td></td>	4.90 (.193) <td>FSM17JAH <td>1825955-35</td> </td>	FSM17JAH <td>1825955-35</td>	1825955-35
NYLON 6/6 <td>YELLOW <td>520 +/-100 GF <td>3.09 (.122) <td>8.50 (.335) <td>4.90 (.193) <td>FSM17JAAH <td>1825955-36</td> </td></td></td></td></td></td>	YELLOW <td>520 +/-100 GF <td>3.09 (.122) <td>8.50 (.335) <td>4.90 (.193) <td>FSM17JAAH <td>1825955-36</td> </td></td></td></td></td>	520 +/-100 GF <td>3.09 (.122) <td>8.50 (.335) <td>4.90 (.193) <td>FSM17JAAH <td>1825955-36</td> </td></td></td></td>	3.09 (.122) <td>8.50 (.335) <td>4.90 (.193) <td>FSM17JAAH <td>1825955-36</td> </td></td></td>	8.50 (.335) <td>4.90 (.193) <td>FSM17JAAH <td>1825955-36</td> </td></td>	4.90 (.193) <td>FSM17JAAH <td>1825955-36</td> </td>	FSM17JAAH <td>1825955-36</td>	1825955-36
PBT <td>BLACK <td>160 +/-50 GF <td>N/A <td>5.00 (.196) <td>1.40 (.055) <td>FSM3JHTR <td>1825955-37</td> </td></td></td></td></td></td>	BLACK <td>160 +/-50 GF <td>N/A <td>5.00 (.196) <td>1.40 (.055) <td>FSM3JHTR <td>1825955-37</td> </td></td></td></td></td>	160 +/-50 GF <td>N/A <td>5.00 (.196) <td>1.40 (.055) <td>FSM3JHTR <td>1825955-37</td> </td></td></td></td>	N/A <td>5.00 (.196) <td>1.40 (.055) <td>FSM3JHTR <td>1825955-37</td> </td></td></td>	5.00 (.196) <td>1.40 (.055) <td>FSM3JHTR <td>1825955-37</td> </td></td>	1.40 (.055) <td>FSM3JHTR <td>1825955-37</td> </td>	FSM3JHTR <td>1825955-37</td>	1825955-37

Notes:

1 ALL MATERIALS AND FINISHES SHALL COMPLY WITH EU DIRECTIVE 2002/95/EC OF 27JAN2003 (ROHS).

2 PACKAGED IN TRAY

Material: CASE: NYLON 66 UL94HB, 30% GF-BLACK
ACTUATOR: PBT OR NYLON 66, UL94HB
COVER: STEEL-TIN PLATE
MOVING CONTACT: COPPER ALLOY-SILVER PLATE
FIXED CONTACT/TERMINAL: COPPER ALLOY-SILVER OVER NICKEL PLATE

Electrical: Max Contact Rating: 50 milliamp@ 24V DC
Min Contact Rating: 10 microamp@1V DC
Initial Contact Resistance, 100 milliohms max
Insulation Resistance, 100 Megohm min. @ 100V DC
Dielectric strength, 500 V AC for 1 minute

Mechanical: Life Expectancy, 100,000 cycles min (2 cycles per second and 150% actuation force)
Action force, See Table
Actuation Travel, .010 +/- .008/- .004

Environmental: Life Expectancy, 100,000 cycles min (2 cycles per second and 150% actuation force)
Operating Temperature, -35 to +85 degrees C
Storage Temperature, -35 to +85 degrees C
Thermal Shock, Per EIA-364-32C, -35 to +85 degrees C
Solderability, Per EIA-364-52, Class 2, Category 1, Condition B
Resistance to Solder Heat, Per 109-202, Condition B

Specifications:

P	TR	DATE	BY	APP
B6		100012017	RK	AS

REVISIONS

REV	DESCRIPTION
1	REVISED PER ECO-17-002273

CUSTOMER DRAWING

SCALE: 8:1

SHEET 1 OF 1

REV B6

RESERVED TO

DATE

DESCRIPTION

BY

APP

THIS DRAWING IS A CONTROLLED DOCUMENT.

DM: MORAN

298293

NAME

298293

APPROVAL

DATE

298293

PRODUCT SPEC

APPLICATION SPEC

WEIGHT

SIZE

DATE CODE

DRAWING NO

00779

1825955

SEE SPECIFICATIONS

FINISH

4 P/LC

2 P/LC

1 P/LC

0 P/LC

1.1

0.31(012)

SEE SPECIFICATIONS

DIMENSIONS: mm (INCHES)

TOLERANCES UNLESS OTHERWISE SPECIFIED:

mm (INCHES)

APPROVAL

DATE

298293

NAME

298293

PRODUCT SPEC

APPLICATION SPEC

WEIGHT

SIZE

DATE CODE

DRAWING NO

00779

1825955

RESERVED TO

DATE

DESCRIPTION

BY

APP

THIS DRAWING IS A CONTROLLED DOCUMENT.

DM: MORAN

298293

NAME

298293

PRODUCT SPEC

APPLICATION SPEC

WEIGHT

SIZE

DATE CODE

DRAWING NO

00779

1825955

RESERVED TO

DATE

DESCRIPTION

BY

APP

X-ON Electronics

Largest Supplier of Electrical and Electronic Components

Click to view similar products for [Tactile Switches](#) category:

Click to view products by [TE Connectivity](#) manufacturer:

Other Similar products are found below :

[KMR633NG LFG](#) [5GTH92001](#) [5GTH9202242](#) [6426-201-11343](#) [MJ1226](#) [MJTP1109B](#) [MJTP1138EAUTR](#) [MJTP1230BL](#) [MJTPSHW](#)
[GS6.90F300QP](#) [1-1977223-0](#) [1-1977120-4](#) [ADTSA62NV](#) [ADTSA62RV](#) [ADTSA63KV](#) [ADTSA644NV](#) [ADTSM24NVTR](#) [ADTSMW66NV](#)
[ADTSMW67RV](#) [ATM533VTR](#) [1571300-3](#) [B3F-3123](#) [B3F-6055A](#) [B3F-B32-01-KIT](#) [1977177-8](#) [1977266-1](#) [2-1977223-4](#) [2-1977223-7](#)
[ADTS644KV](#) [ADTSA61RV](#) [ADTSA62KV](#) [ADTSA63NV](#) [ADTSA63RV](#) [ADTSA65NV](#) [ADTSM21NSVTR](#) [ADTSM25RVTR](#)
[ADTSM31RVTR](#) [ADTSM32NVTR](#) [ADTSM61YVTR](#) [ADTSM63SVTR](#) [ADTSM644KVTR](#) [ADTSMW64RV](#) [ADTSMW69NV](#)
[FSMRA4JHA04](#) [GS4.70F300QP](#) [D38999/20JJ37SA](#) [TL1105B](#) [TL1105J](#) [ATH447K2Q](#) [ATM534VTR](#)