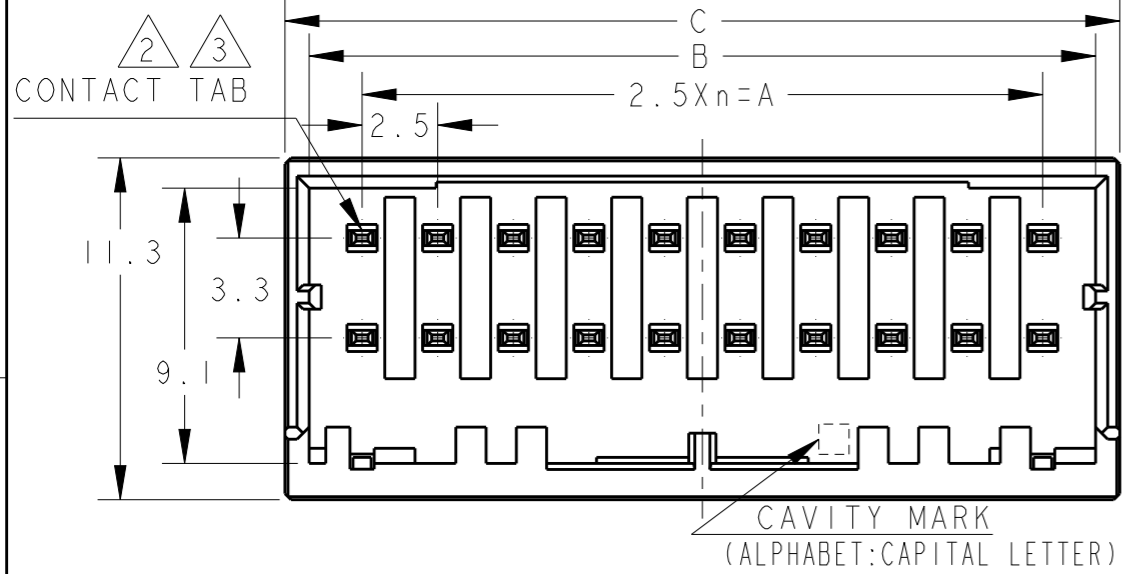
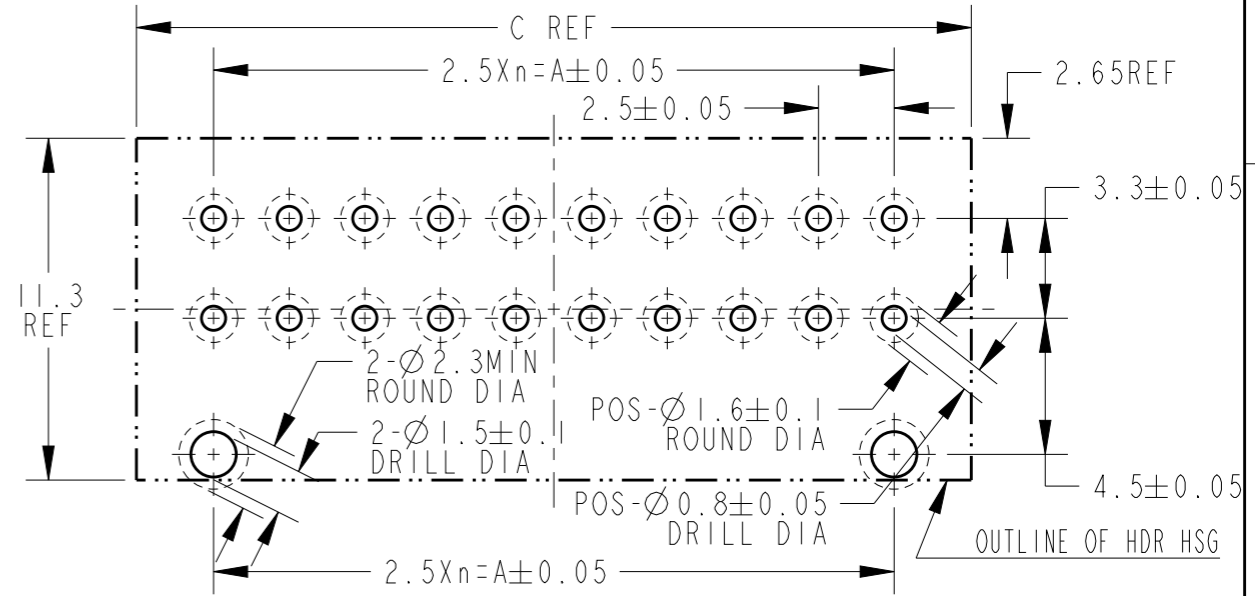


THIS DRAWING IS UNPUBLISHED. RELEASED FOR PUBLICATION 20
 © COPYRIGHT 20 BY Tyco Electronics Japan G.K. ALL RIGHTS RESERVED.

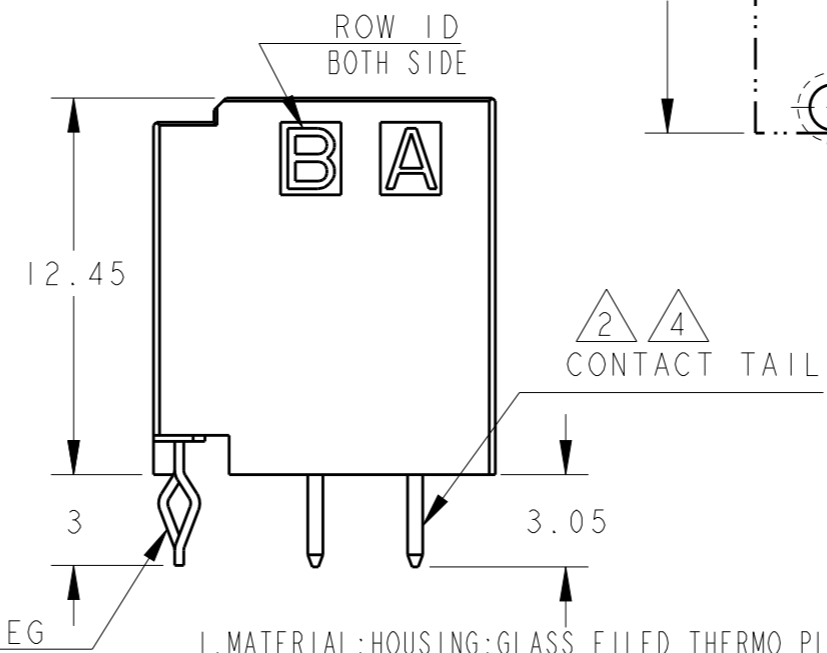
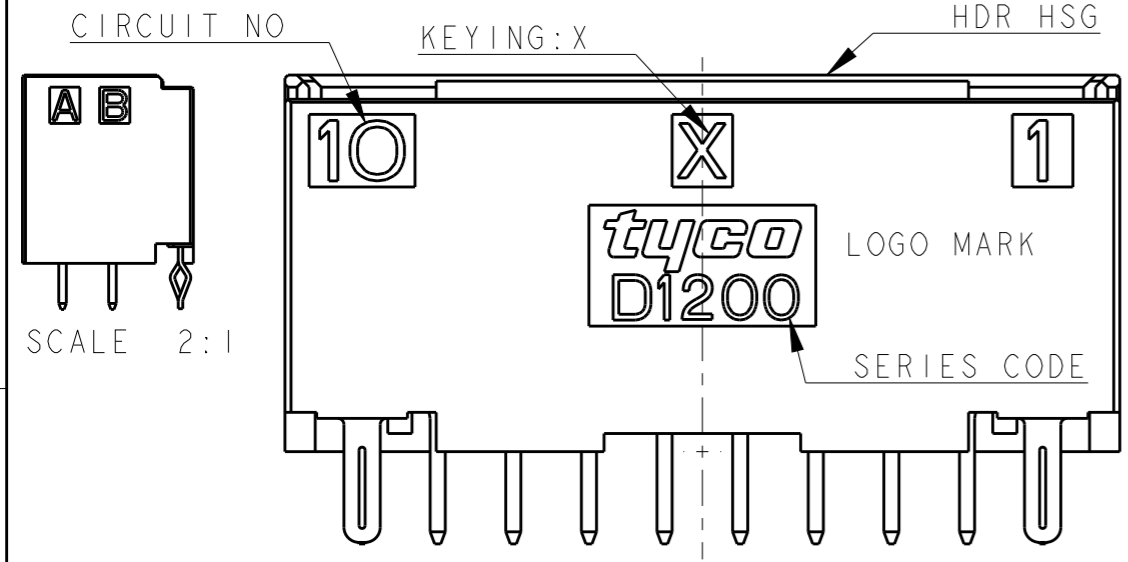
| LOC | DIST | REVISIONS | | | | | |
|-----|------|-----------|-----|-------------|-----------|-----|------|
| | | P | LTR | DESCRIPTION | DATE | DWN | APVD |
| J | - | | B | REVISED | 18DEC2012 | H.M | N.Y |



1. 材料:ハウジング:ガラス入り熱可塑性ポリエステル樹脂(94V-0)、色:黒
 コンタクト:銅合金
 リテンションレグ:錫めっき銅合金
- △2. めっき:全面:ニッケル下地めっき1.27μm以上
- △3. めっき:接触部 △2の上に金めっき0.38μm以上
- △4. めっき:コンタクト半田付部 △2の上に錫めっき2μm以上
5. 文字の形状、大きさ、および位置については、大略を示すものであり、詳細を示すものではありません。
6. Y KEY形状は、X KEY形状と左右対称



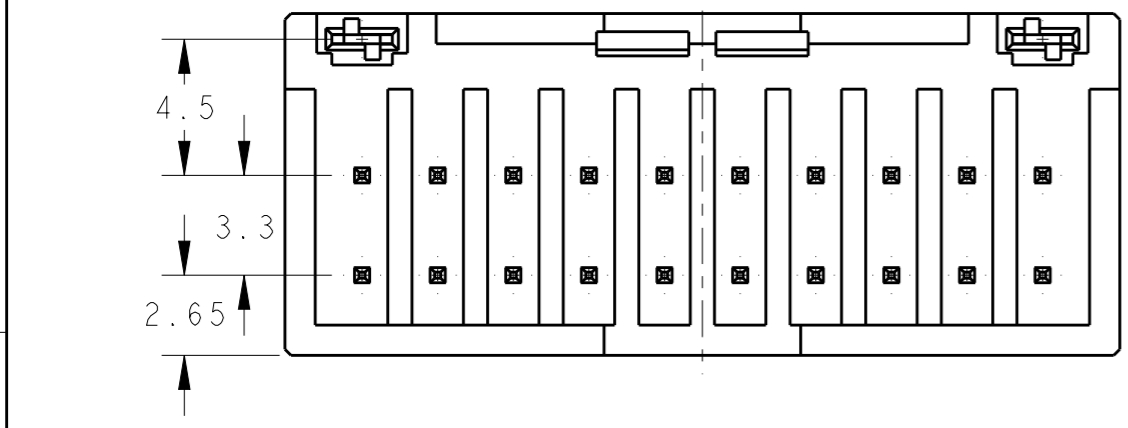
推奨基板取付穴寸法:コネクタ搭載面(非累積公差)
 PC基板厚:1.0~1.6±0.1
 RECOMMEND PC BOARD HOLE PATTERN
 : CONNECTOR MOUNT SIDE(NOT ACCUMULATE TOLERANCE)
 PC BOARD THICKNESS : 1.0~1.6±0.1



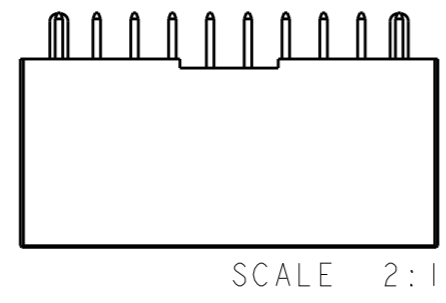
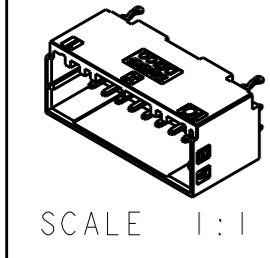
1. MATERIAL: HOUSING: GLASS FILLED THERMO PLASTIC
 POLYESTER(94V-0), COLOR: BLACK
 CONTACT: COPPER ALLOY
 RETENTION LEG: PRE-TIN COPPER ALLOY

- △2. FINISH(ALL OVER): NICKEL PL. 1.27μmMIN
- △3. FINISH(CONTACT AREA): GOLD PL. 0.38μmMIN AFTER △2
- △4. FINISH(CONTACT TAIL): TIN PL. 2μmMIN AFTER △2
5. THE SHAPE, SIZE AND POSITION OF THE CHARACTER, SHOW THE OUTLINE. THEY DON'T SHOW DETAILS.
6. THE KEYING ARRANGEMENT OF "Y" IS SYMMETRIC WITH "X".

| POS | KEY | n | A | B | C | PART NO |
|-----|-----|---|------|------|------|-------------|
| 20 | Y | 9 | 22.5 | 26.0 | 27.6 | 2-1827875-0 |
| 20 | X | 9 | 22.5 | 26.0 | 27.6 | 1-1827875-0 |
| 16 | Y | 7 | 17.5 | 21.0 | 22.6 | 2-1827875-8 |
| 16 | X | 7 | 17.5 | 21.0 | 22.6 | 1-1827875-8 |
| 12 | Y | 5 | 12.5 | 16.0 | 17.6 | 2-1827875-6 |
| 12 | X | 5 | 12.5 | 16.0 | 17.6 | 1-1827875-6 |
| 10 | Y | 4 | 10.0 | 13.5 | 15.1 | 2-1827875-5 |
| 10 | X | 4 | 10.0 | 13.5 | 15.1 | 1-1827875-5 |
| 8 | Y | 3 | 7.5 | 11.0 | 12.6 | 2-1827875-4 |
| 8 | X | 3 | 7.5 | 11.0 | 12.6 | 1-1827875-4 |
| 6 | Y | 2 | 5.0 | 8.5 | 10.1 | 2-1827875-3 |
| 6 | X | 2 | 5.0 | 8.5 | 10.1 | 1-1827875-3 |
| 4 | Y | 1 | 2.5 | 6.0 | 7.6 | 2-1827875-2 |
| 4 | X | 1 | 2.5 | 6.0 | 7.6 | 1-1827875-2 |



20POS(X-KEY): 1-1827875-0



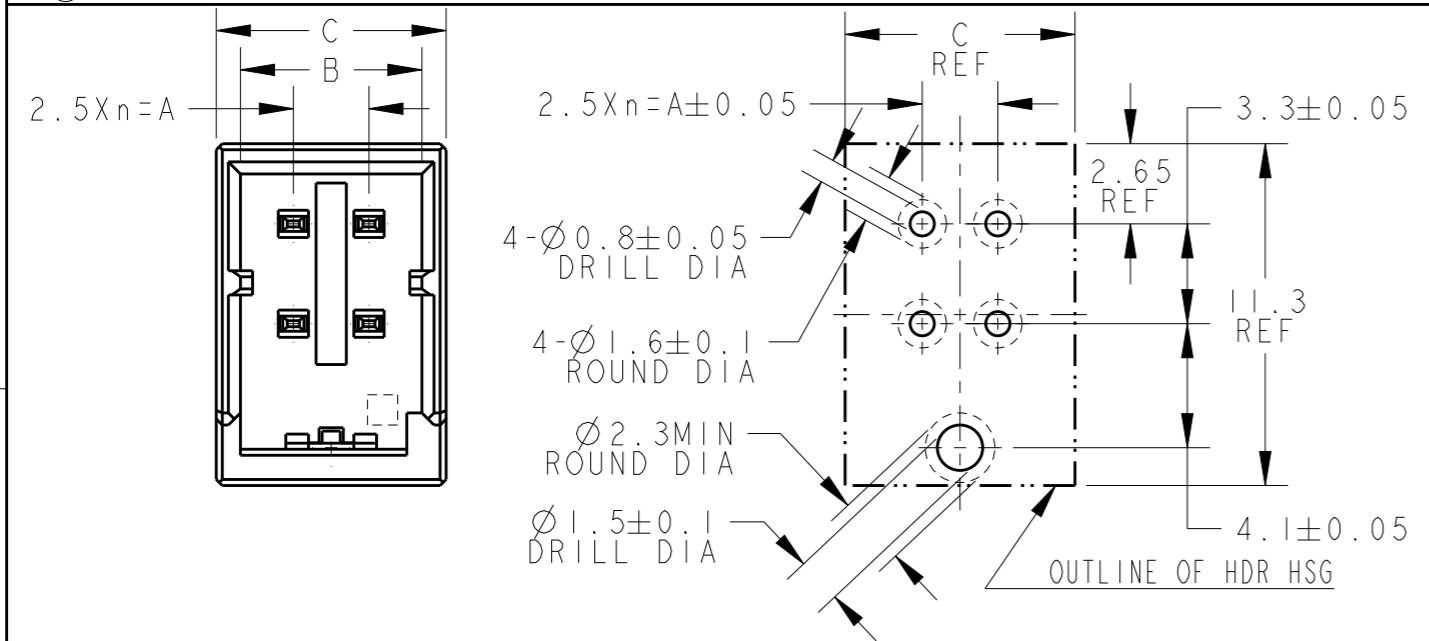
THIS DRAWING IS A CONTROLLED DOCUMENT.

| | | | |
|----------------------------|---|--|---|
| DIMENSIONS: 単位: 規 mm | TOLERANCES UNLESS OTHERWISE SPECIFIED: 一般公差 ±0.3, ±5° 0 PLC ± 1 PLC ±0.5 2 PLC ±0.13 3 PLC ±0.013 4 PLC ±0.0001 ANGLES ± | DWN T. KUDO 14JAN2005 CHK D. MITSUGI 14JAN2005 APVD D. MITSUGI 14JAN2005 | TE Connectivity NAME 名称 DYNAMIC D1200D 2.5mmPITCH HDR ASSY (V-TYPE) 4-20POS |
| MATERIAL 材料 &material | FINISH 仕上 - | PRODUCT SPEC 108-78268 APPLICATION SPEC 114-5377 WEIGHT - | |

CUSTOMER DRAWING SCALE 4:1 SHEET 1 OF 3 REV B

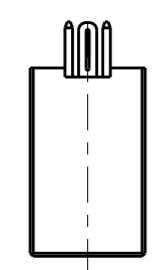
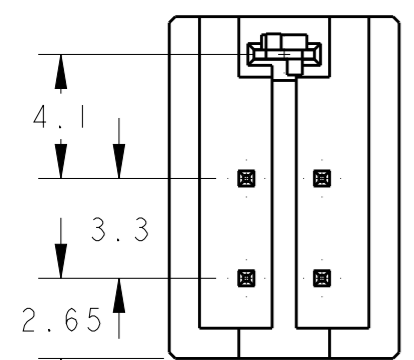
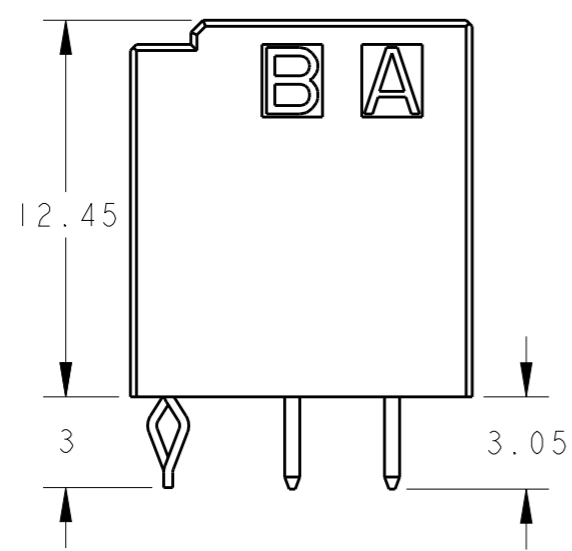
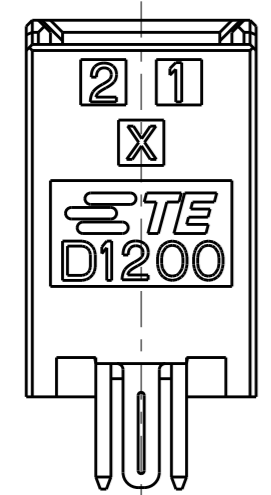
THIS DRAWING IS UNPUBLISHED. RELEASED FOR PUBLICATION
 © COPYRIGHT 20 BY Tyco Electronics Japan G.K. ALL RIGHTS RESERVED.

| LOC | DIST | REVISIONS | | | | | |
|-----|------|-----------|-----|------------------|------|-----|------|
| J | - | P | LTR | DESCRIPTION | DATE | DWN | APVD |
| | | | | SEE SHEET 1 OF 3 | | | |



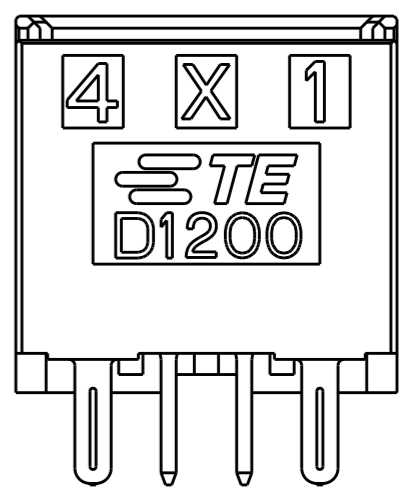
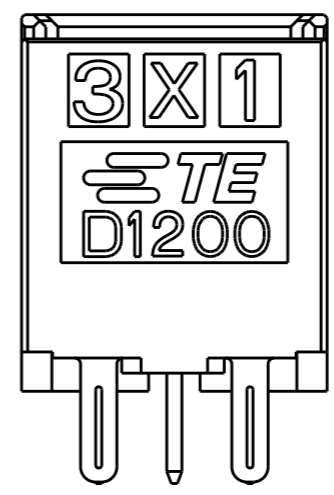
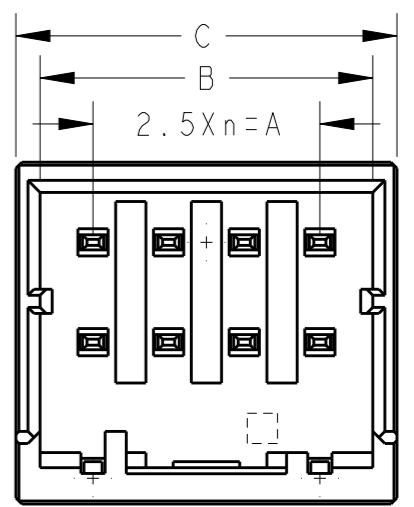
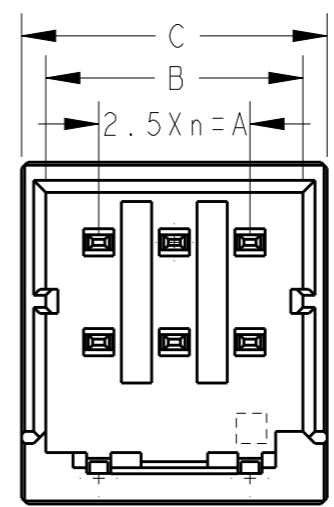
推奨基板取付穴寸法: コネクタ搭載面(非累積公差)
 PC基板厚: 1.0~1.6±0.1
 RECOMMEND PC BOARD HOLE PATTERN
 : CONNECTOR MOUNT SIDE(NOT ACCUMULATE TOLERANCE)
 PC BOARD THICKNESS : 1.0~1.6±0.1

ONLY 4POS



SCALE 2:1

4POS(X-KEY):1-1827875-2



6POS(X-KEY):1-1827875-3

8POS(X-KEY):1-1827875-4

| | | | | | |
|--|--|------------------|------------|---------------|---|
| THIS DRAWING IS A CONTROLLED DOCUMENT. | | DWN | T. KUDO | 14JAN2005 | TE Connectivity |
| DIMENSIONS: mm | | CHK | D. MITSUGI | 14JAN2005 | |
| TOLERANCES UNLESS OTHERWISE SPECIFIED: | | APVD | D. MITSUGI | 14JAN2005 | NAME DYNAMIC D1200D 2.5mmPITCH HDR ASSY (V-TYPE) 4-20POS |
| 0 PLC ±- | | PRODUCT SPEC | 108-78268 | SIZE | |
| 1 PLC ±0.5 | | APPLICATION SPEC | 114-5377 | CAGE CODE | A300779 |
| 2 PLC ±0.13 | | WEIGHT | - | DRAWING NO | C=1827875 |
| 3 PLC ±0.013 | | CUSTOMER DRAWING | | RESTRICTED TO | - |
| 4 PLC ±0.0001 | | | | SCALE | 4:1 |
| ANGLES ±- | | | | SHEET | 2 OF 3 |
| FINISH - | | | | REV | B |

SEE SHEET 1 OF 3

THIS DRAWING IS UNPUBLISHED.

RELEASED FOR PUBLICATION

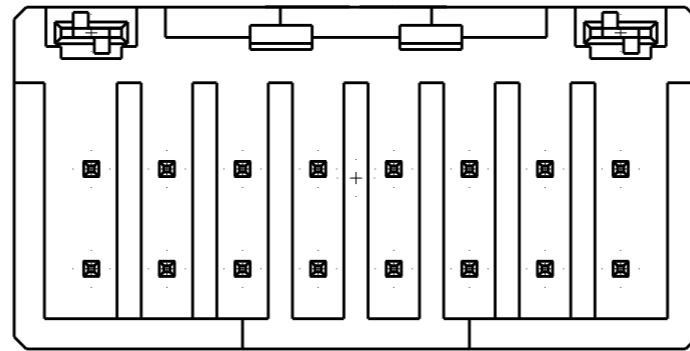
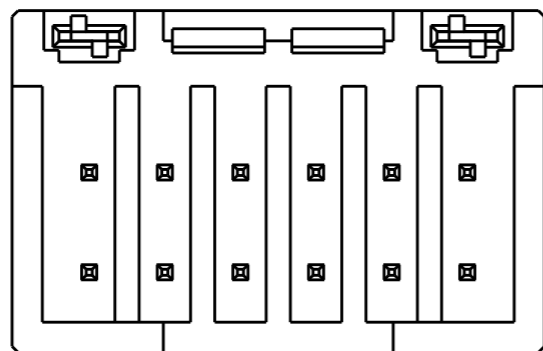
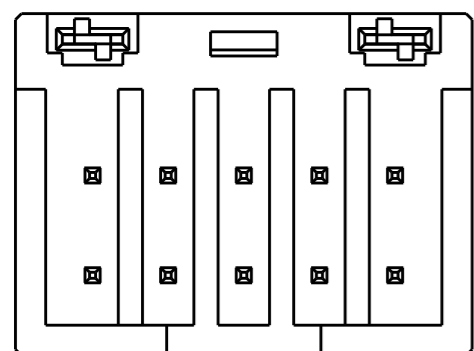
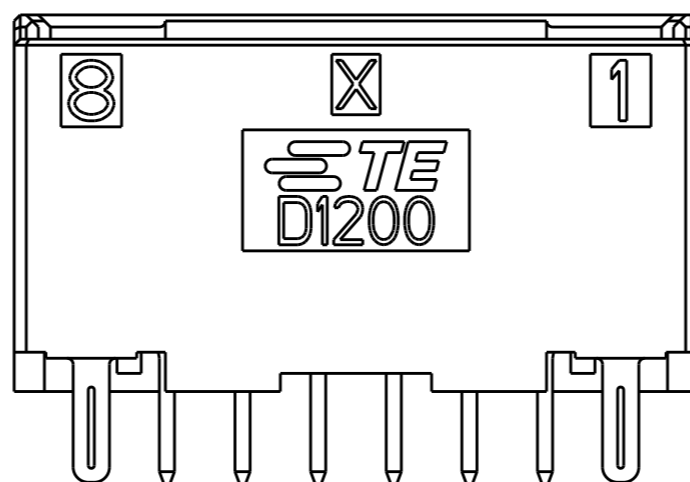
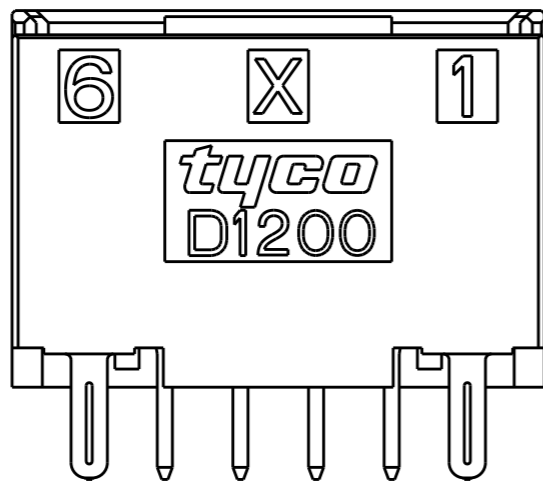
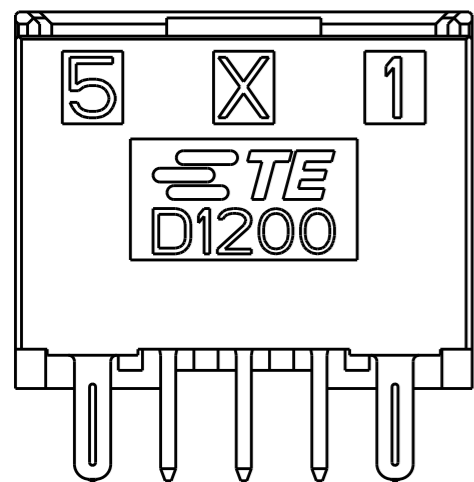
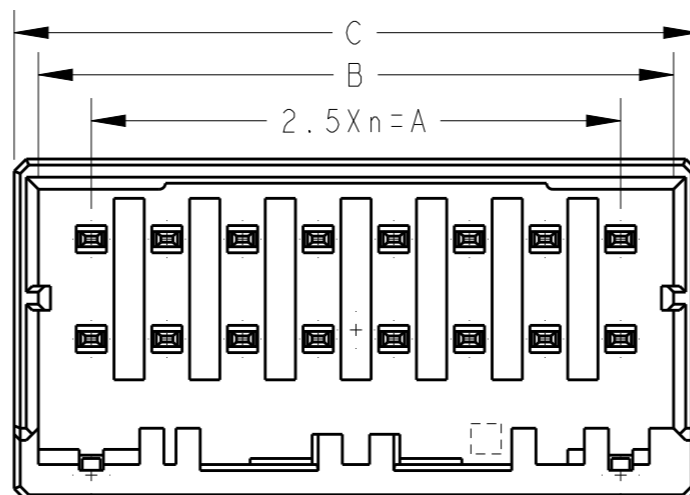
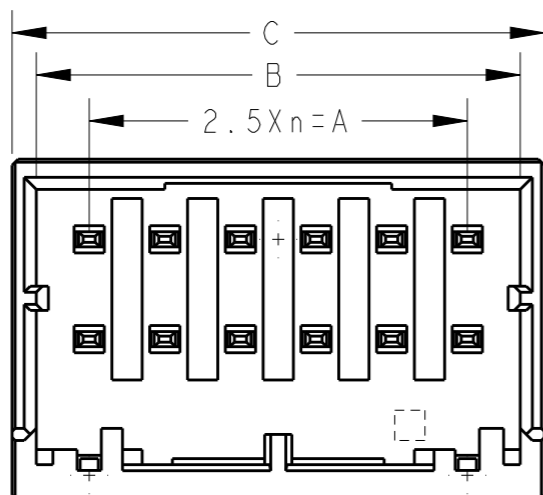
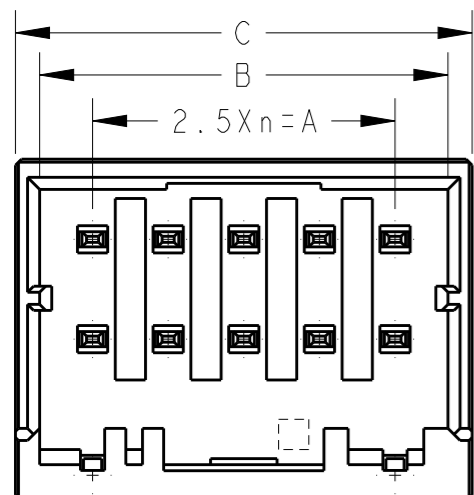
20

LOC J
DIST -

REVISIONS

© COPYRIGHT 20 BY Tyco Electronics Japan G.K. ALL RIGHTS RESERVED.

| P | LTR | DESCRIPTION | DATE | DWN | APVD |
|---|-----|------------------|------|-----|------|
| | | SEE SHEET 1 OF 3 | | | |



10POS(X-KEY): I-1827875-5

12POS(X-KEY): I-1827875-6

16POS(X-KEY): I-1827875-8

| | | | |
|--|--|---------------------------|--|
| THIS DRAWING IS A CONTROLLED DOCUMENT. | | DWN T. KUDO 14JAN2005 | STE TE Connectivity |
| DIMENSIONS: mm | | CHK D. MITSUGI 14JAN2005 | |
| TOLERANCES UNLESS OTHERWISE SPECIFIED: | | APVD D. MITSUGI 14JAN2005 | NAME DYNAMIC D1200D 2.5mmPITCH HDR ASSY (V-TYPE) 4-20POS |
| 0 PLC ±0.5 | | PRODUCT SPEC 108-78268 | SIZE A3 |
| 1 PLC ±0.13 | | APPLICATION SPEC 114-5377 | CAGE CODE 00779 |
| 2 PLC ±0.013 | | WEIGHT - | DRAWING NO C-1827875 |
| 3 PLC ±0.0001 | | CUSTOMER DRAWING | RESTRICTED TO - |
| 4 PLC ±0.0001 | | SCALE 4:1 | SHEET 3 OF 3 |
| ANGLES ± | | | REV B |
| MATERIAL &material FINISH - | | | |

SEE SHEET 1 OF 3

X-ON Electronics

Largest Supplier of Electrical and Electronic Components

Click to view similar products for [Headers & Wire Housings](#) category:

Click to view products by [TE Connectivity](#) manufacturer:

Other Similar products are found below :

[892-18-020-10-001101](#) [58102-G61-06LF](#) [582553-1](#) [0009485154](#) [009176003701906](#) [0050291907](#) [LY20-4P-DT1-P1E-BR](#) [02.125.8002.8](#)
[609-3404](#) [61062-3](#) [61082-181009](#) [622-3653LF](#) [63453-116](#) [636-1030](#) [636-1427](#) [636-3427](#) [636-4007](#) [641938-9](#) [641991-4](#) [644827-2](#) [65817-010LF](#) [65817-015LF](#) [65863-015LF](#) [66207-023LF](#) [67095-007LF](#) [67601157](#) [68645-018](#) [68648-049](#) [70.362.1628.0](#) [70-4210](#) [70-4226B](#) [70-4853B](#) [707-5020](#) [707-5028](#) [71.350.2428.0](#) [71918-208LF](#) [71961-016LF](#) [733-134](#) [733-162](#) [754199-000](#) [760-3052](#) [787-8014-00](#) [79531-3000](#)
[FCN-360C032-B](#) [FCN-367T-T012/H](#) [FCN-723D010/2](#) [80.063.4001.1](#) [800-90-001-10-001000](#) [800-90-010-10-002000](#) [801-43-002-10-013000](#)