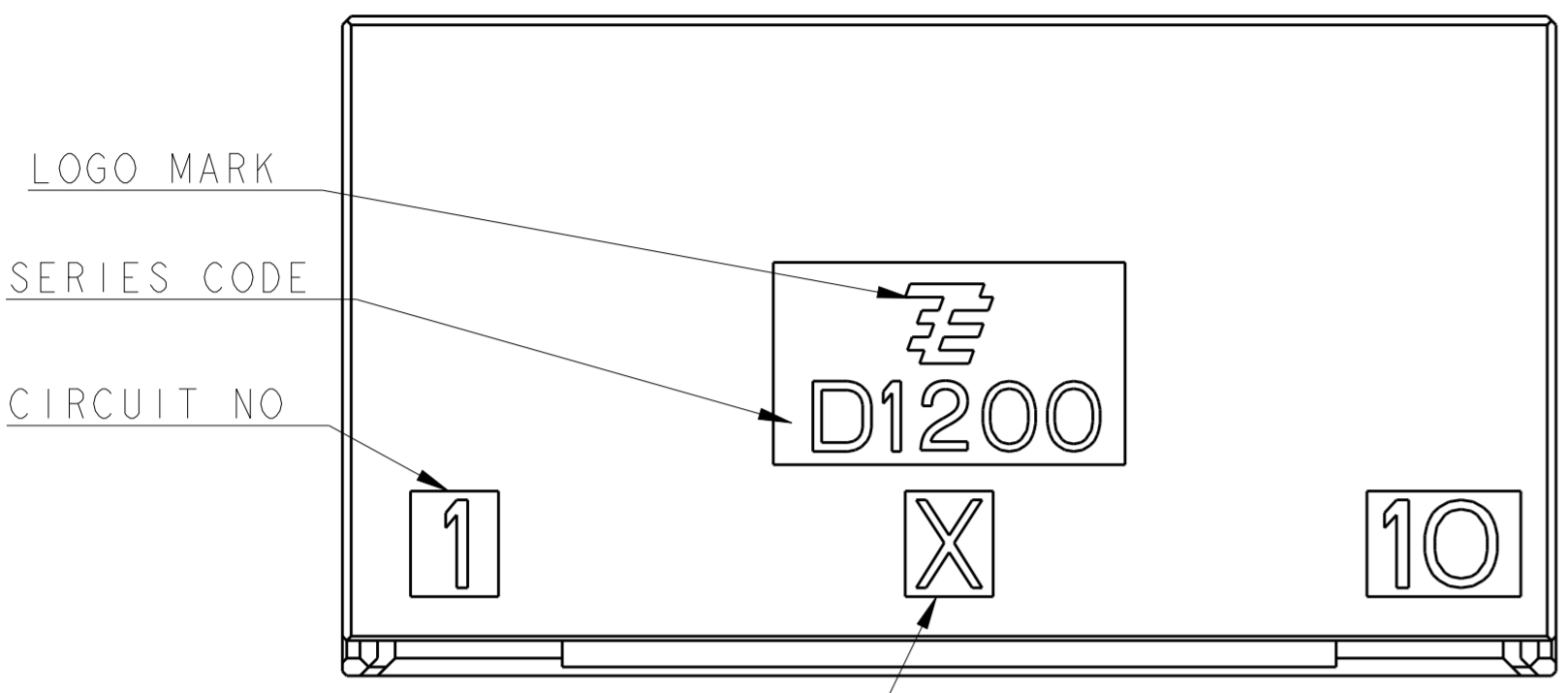


THIS DRAWING IS UNPUBLISHED. RELEASED FOR PUBLICATION 20
 © COPYRIGHT 20 ALL RIGHTS RESERVED.

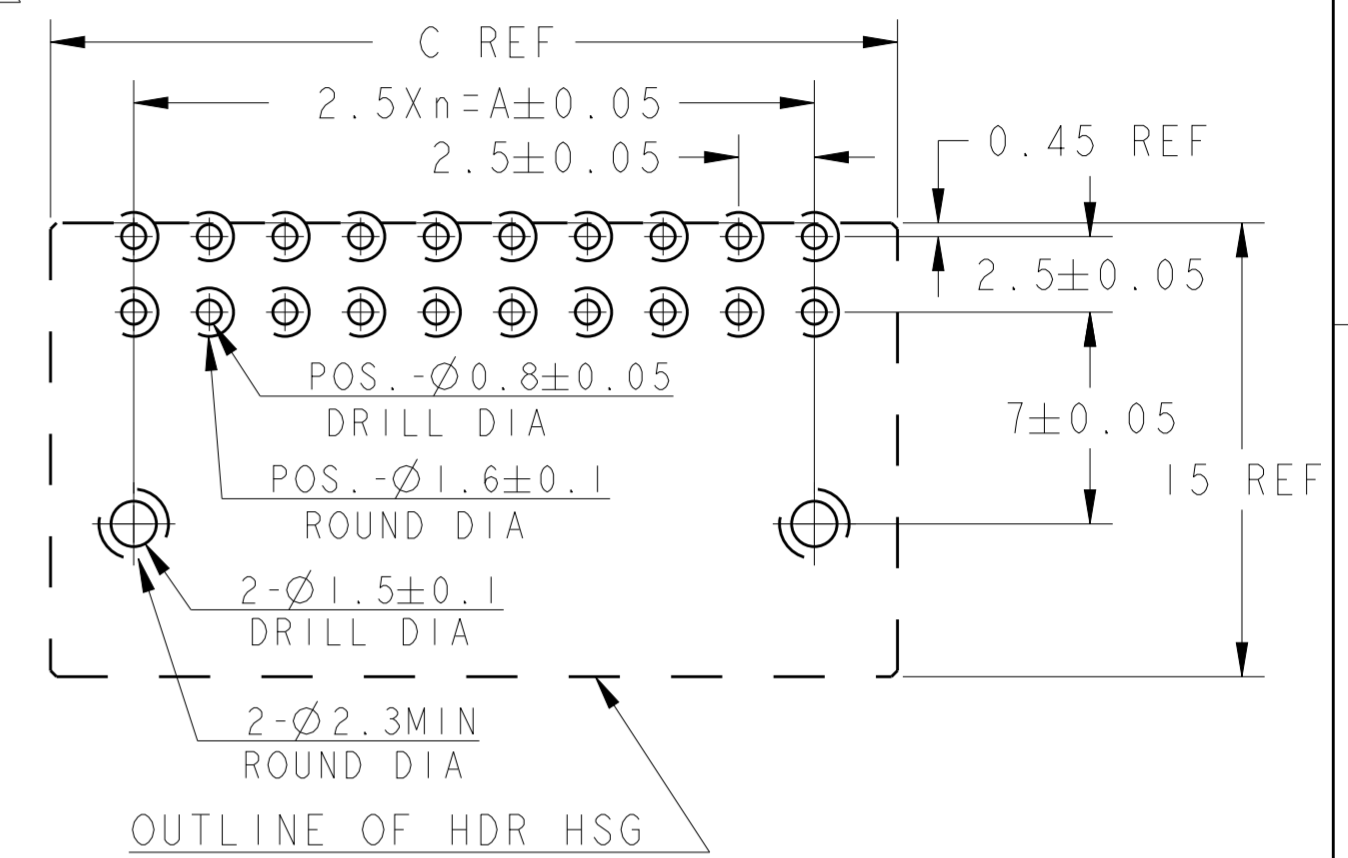
1. MATERIAL: HOUSING: GLASS FILED THERMO PLASTIC POLYESTER(94V-0), COLOR: BLACK
 CONTACT: COPPER ALLOY
 RETENTION LEG: PRE-TIN COPPER ALLOY

| REVISONS | | | DATE | DWN | APVD |
|----------|-----|---------------------------|-----------|-----|------|
| P | LTR | DESCRIPTION | | | |
| C2 | | REVISED PER ECR-17-009217 | 24JUL2017 | K.T | E.T |



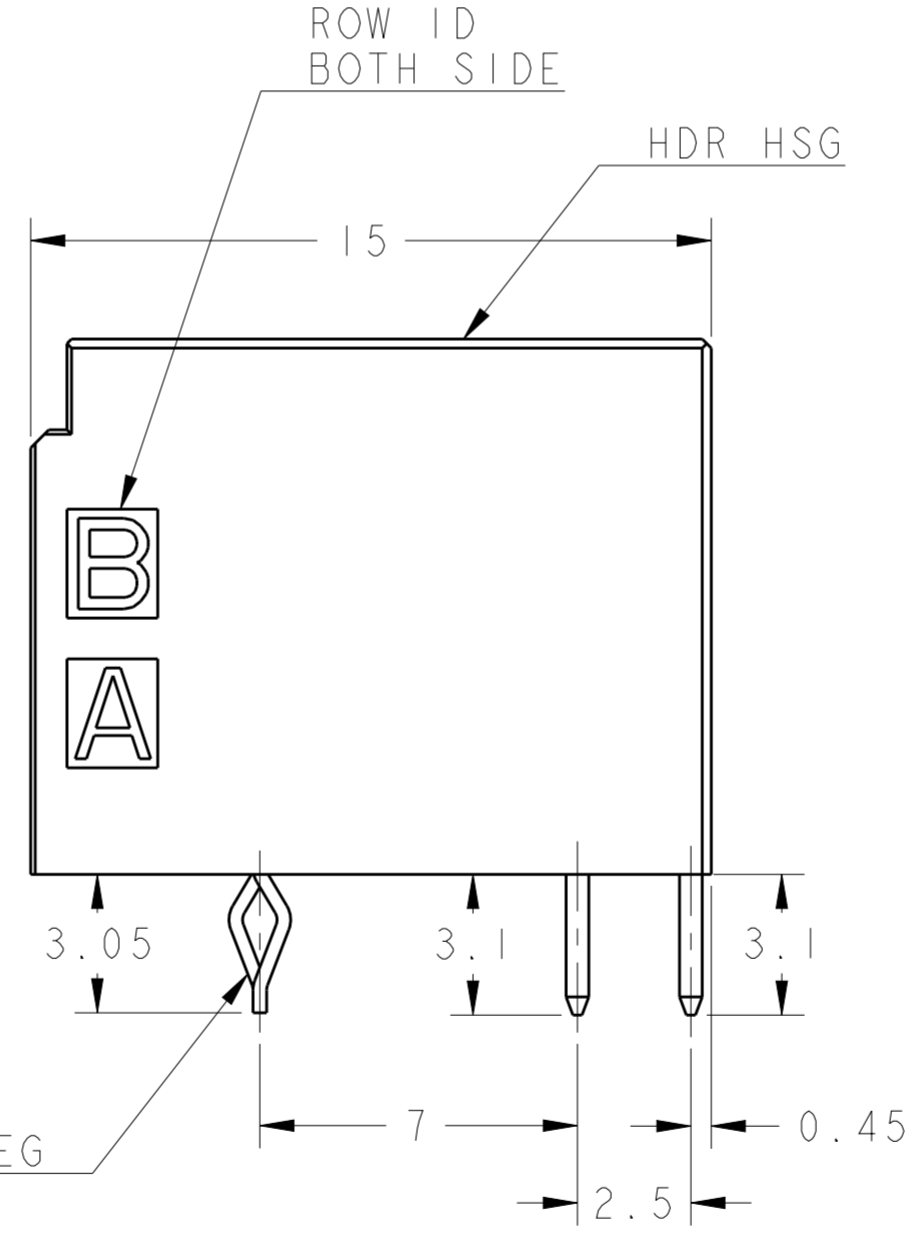
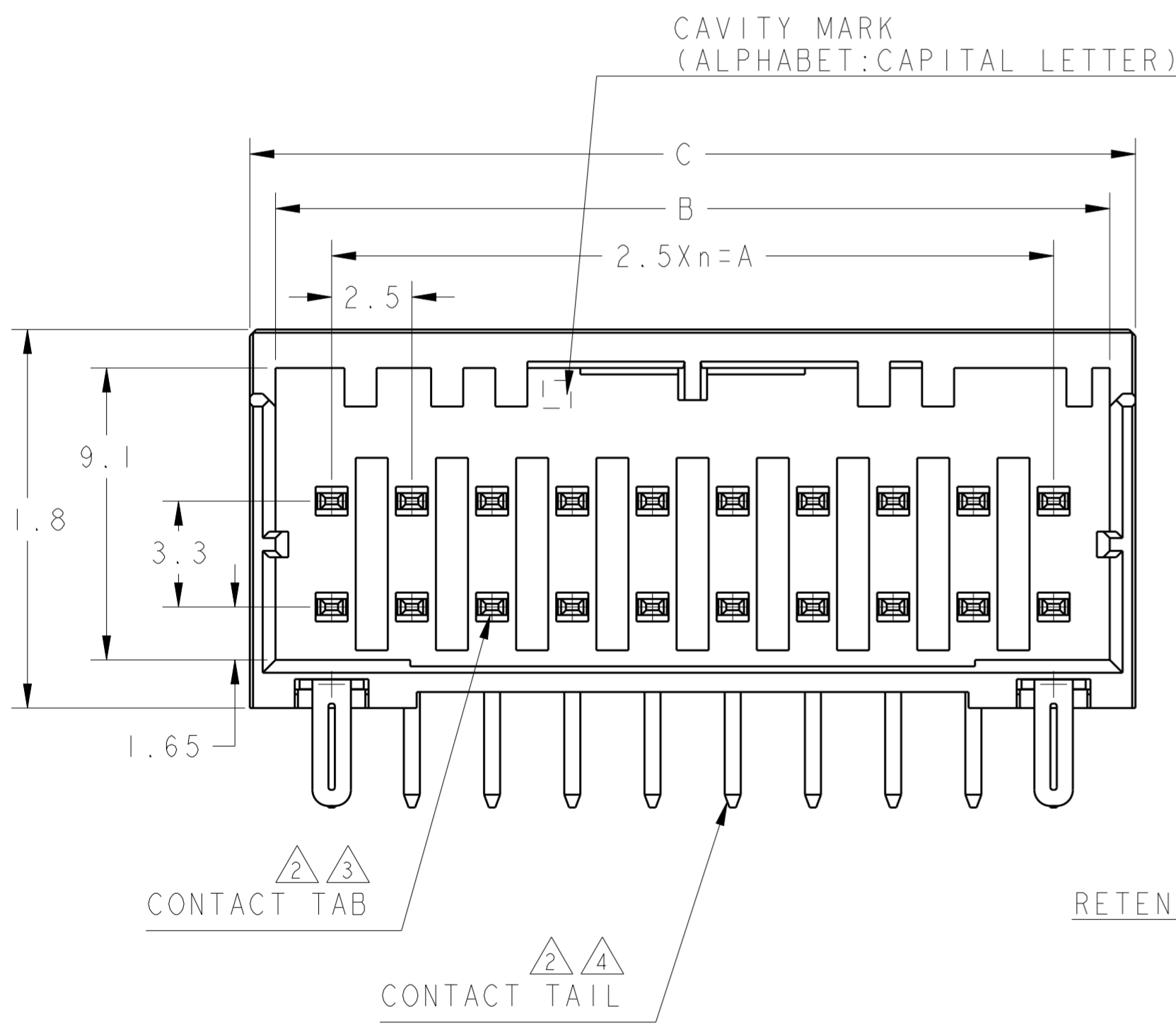
- 2. FINISH(ALL OVER): NICKEL PL. 1.27μmMIN
- 3. FINISH(CONTACT AREA): GOLD PL. 0.38μmMIN AFTER 2
- 4. FINISH(CONTACT TAIL): TIN PL. 2μmMIN AFTER 2
- 5. THE SHAPE, SIZE AND POSITION OF THE CHARACTER SHOW THE OUTLINE. THEY DON'T SHOW DETAILS.
- 6. THE KEYING ARRANGEMENT OF "Y" IS SYMMETRIC WITH "X".

- 1. 材料: ハウジング: ガラス入り熱可塑性ポリエステル樹脂(94V-0)、色: 黒
 コンタクト: 銅合金
 リテンションレグ: 錫めっき済銅合金
- 2. めっき: 全面: ニッケル下地めっき1.27μm以上
- 3. めっき: 接触部 2の上に金めっき0.38μm以上
- 4. めっき: コンタクト半田付部: 2の上に錫めっき2μm以上
- 5. 文字の形状、大きさ、および位置については、大略を示すものであり、詳細を示すものではありません。
- 6. Y KEY形状は、X KEY形状と左右対称



推奨基板取付寸法 : コネクタ搭載面(非累積公差)
 PC基板厚 : 1.0~1.6±0.1

RECOMMEND PC BOARD HOLE PATTERN : CONNECTOR MOUNT SIDE(NOT ACCUMULATE TOLERANCE)
 PC BOARD THICKNESS : 1.0~1.6±0.1



AS SHOWN : 1-1827876-0 (20POS:X-KEY)
 ONLY 4POS----SEE SHEET 2 OF 3

| POS | KEY | n | A | B | C | PART NO |
|-----|-----|---|------|------|------|-------------|
| 20 | Y | 9 | 22.5 | 26.0 | 27.6 | 2-1827876-0 |
| 20 | X | 9 | 22.5 | 26.0 | 27.6 | 1-1827876-0 |
| 12 | Y | 5 | 12.5 | 16.0 | 17.6 | 2-1827876-6 |
| 12 | X | 5 | 12.5 | 16.0 | 17.6 | 1-1827876-6 |
| 8 | Y | 3 | 7.5 | 11.0 | 12.6 | 2-1827876-4 |
| 8 | X | 3 | 7.5 | 11.0 | 12.6 | 1-1827876-4 |
| 6 | Y | 2 | 5.0 | 8.5 | 10.1 | 2-1827876-3 |
| 6 | X | 2 | 5.0 | 8.5 | 10.1 | 1-1827876-3 |
| 4 | Y | 1 | 2.5 | 6.0 | 7.6 | 2-1827876-2 |
| 4 | X | 1 | 2.5 | 6.0 | 7.6 | 1-1827876-2 |

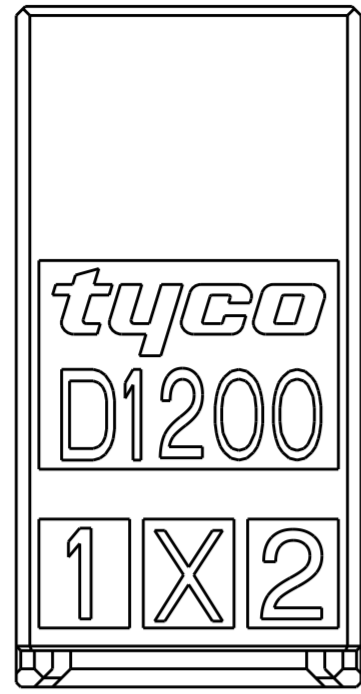
1-1827876-0
 (20POS:X-KEY)

THIS DRAWING IS A CONTROLLED DOCUMENT.

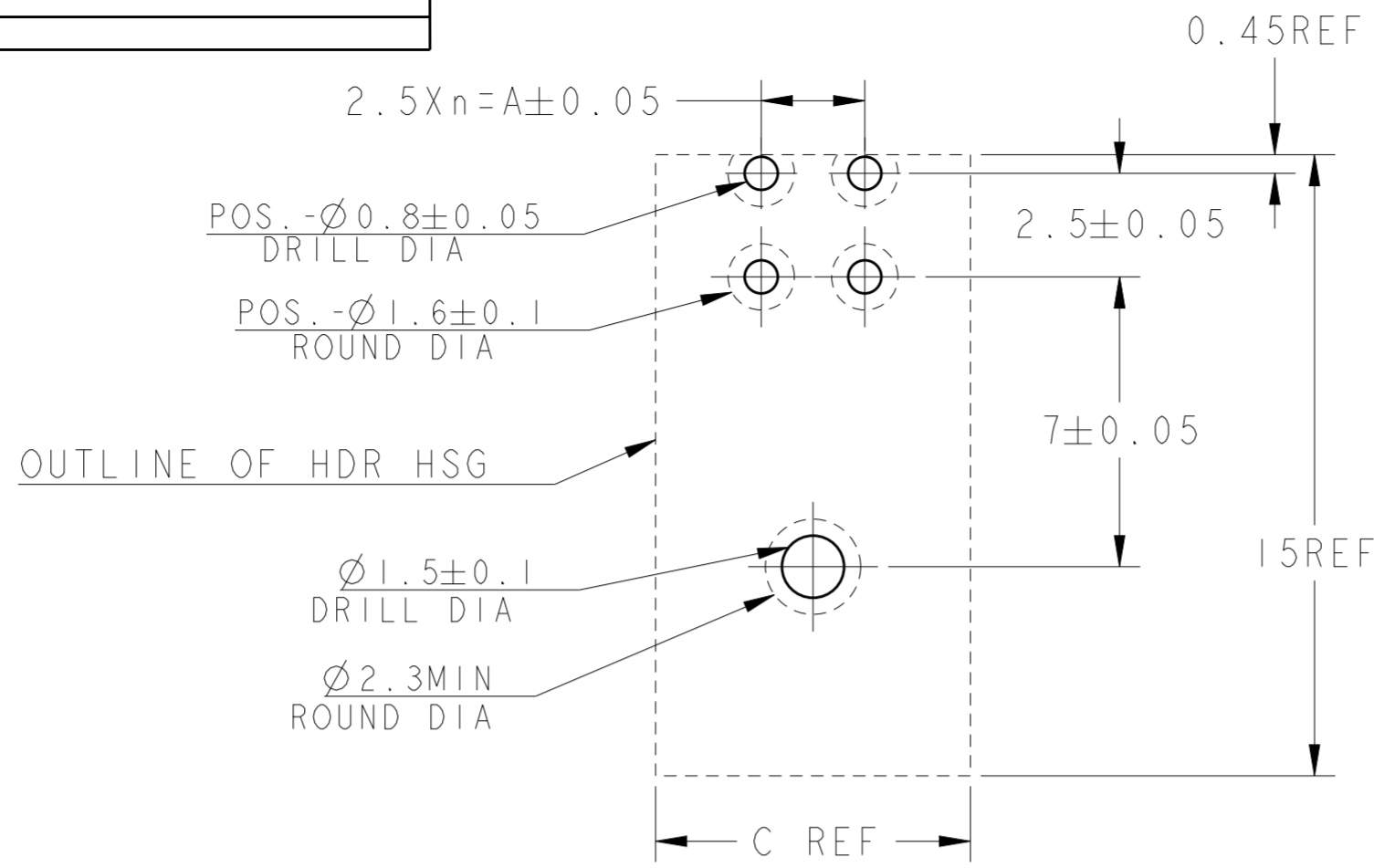
| | | | | |
|---------------------------------|--|------------------------------|-----------------|-------------------------|
| DWN T. KUDO 13JAN2005 | TE Connectivity DYNAMIC D1200D 2.5mmPITCH HDR ASSY (H-TYPE) 4-20POS | NAME D. MITSUGI | RESTRICTED TO | |
| CHK D. MITSUGI 14MAR2005 | | PRODUCT SPEC 108-78268 | | |
| APVD D. MITSUGI 14MAR2005 | | APPLICATION SPEC 114-5377 | SIZE A200779 | DRAWING NO C-1827876 |
| MATERIAL 材料 | | WEIGHT | SCALE 尺度 6:1 | SHEET 1 OF 3 |

CUSTOMER DRAWING

| LOC | | DIST | | REVISIONS | | | |
|-----|-----|-------------|------|-----------|------|--|--|
| P | LTR | DESCRIPTION | DATE | DWN | APVD | | |
| J | - | SEE SHEET 1 | - | - | - | | |



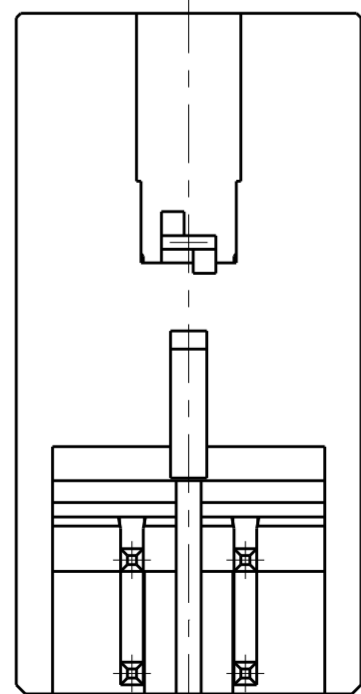
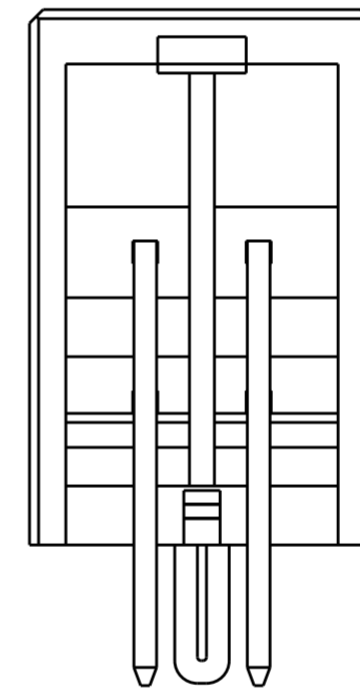
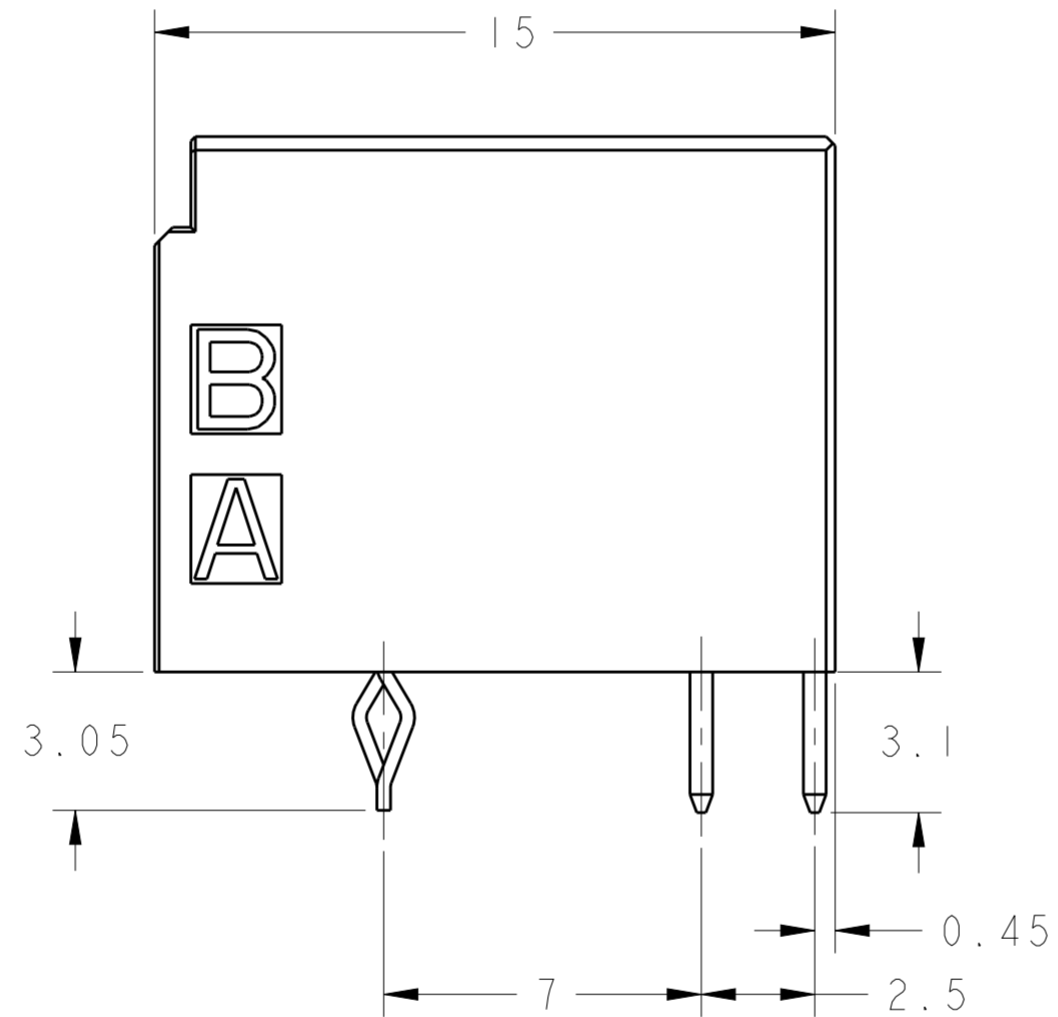
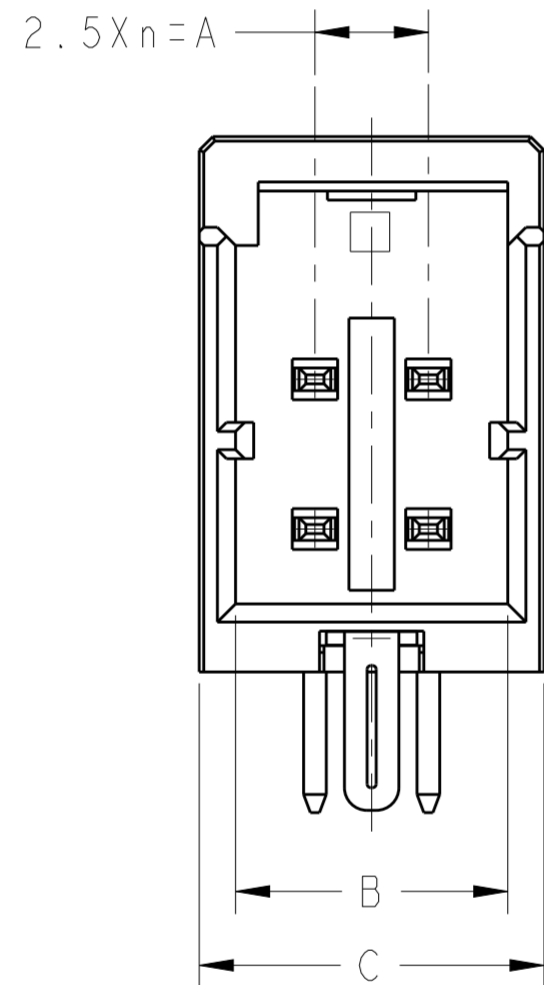
1-1827876-2
(4POS: X-KEY)



推奨基板取付穴寸法 : コネクタ搭載面 (非累積公差)
 PC基板厚 : 1.0~1.6±0.1

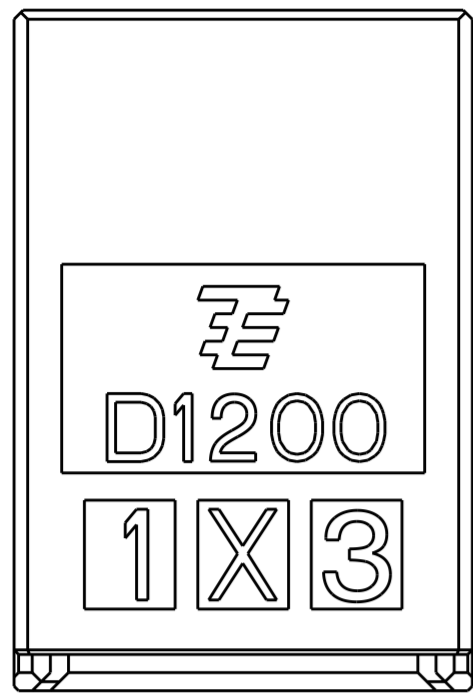
RECOMMEND PC BOARD HOLE PATTERN
 : CONNECTOR MOUNT SIDE (NOT ACCUMULATE TOLERANCE)
 PC BOARD THICKNESS : 1.0~1.6±0.1

ONLY 4POS

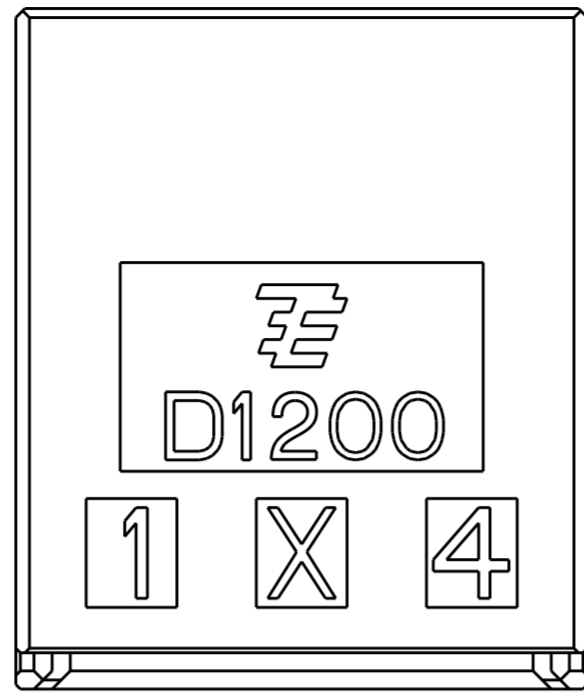


| | | | | | |
|--|--|------------------------------|-----------|---|--|
| THIS DRAWING IS A CONTROLLED DOCUMENT | | DWN I. KUDO | 13JAN2005 | TE Connectivity | |
| DIMENSIONS: mm | | CHK D. MITSUGI | 14MAR2005 | | |
| TOLERANCES UNLESS OTHERWISE SPECIFIED: | | APVD D. MITSUGI | 14MAR2005 | NAME DYNAMIC D1200D 2.5mmPITCH HDR ASSY (H-TYPE) 4-20POS | |
| 0 PLC ± | | PRODUCT SPEC 108-78268 | | SIZE A200779 | |
| 2 PLC ± | | APPLICATION SPEC 114-5377 | | DRAWING NO C-1827876 | |
| 3 PLC ± | | WEIGHT - | | RESTRICTED TO - | |
| 4 PLC ± | | CUSTOMER DRAWING | | SCALE 6:1 | |
| ANGLES ± | | | | SHEET 2 OF 3 | |
| FINISH | | | | REV C2 | |

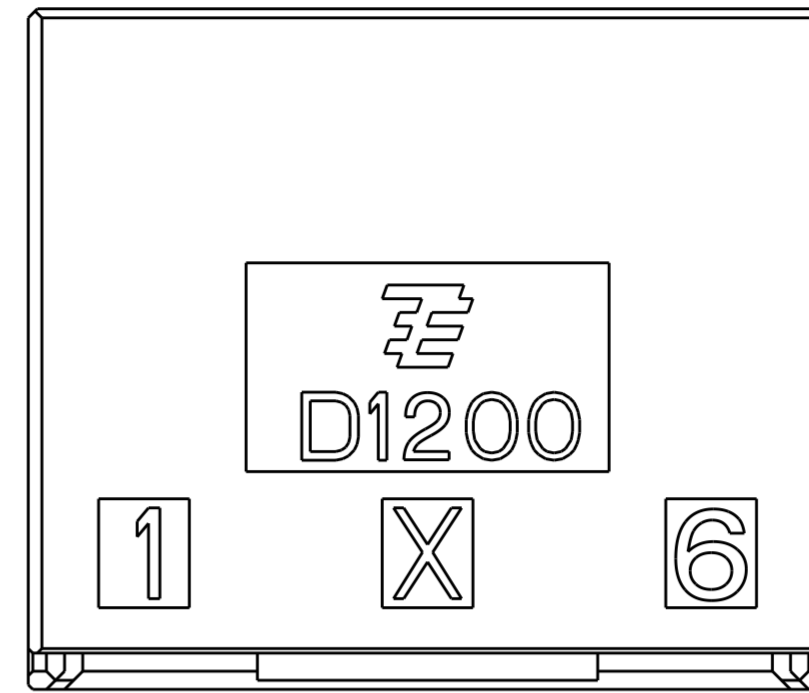
| LOC | | DIST | | REVISIONS | | | |
|-----|-----|------|-----|-----------|-------------|--|--|
| P | LTR | DATE | DWN | APVD | DESCRIPTION | | |
| J | - | - | - | - | SEE SHEET 1 | | |



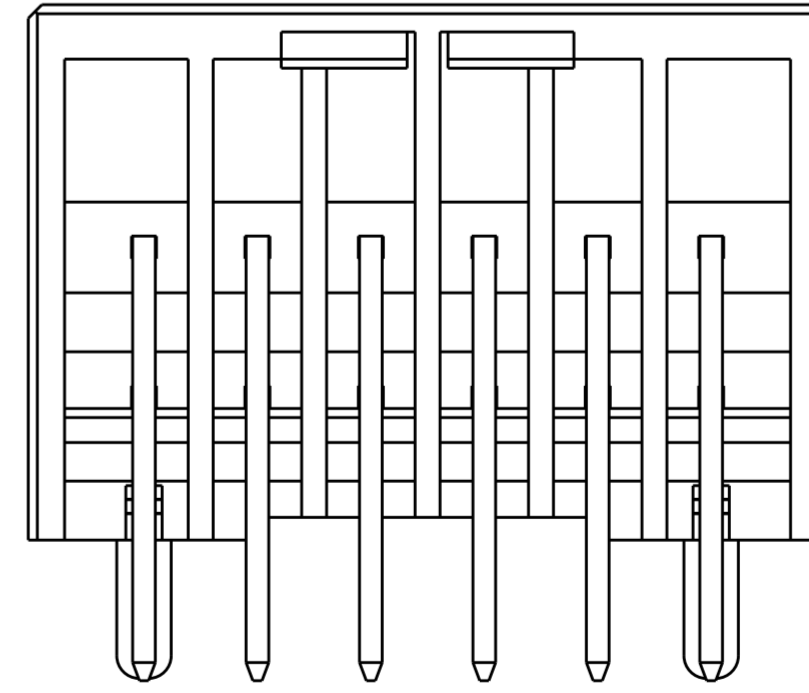
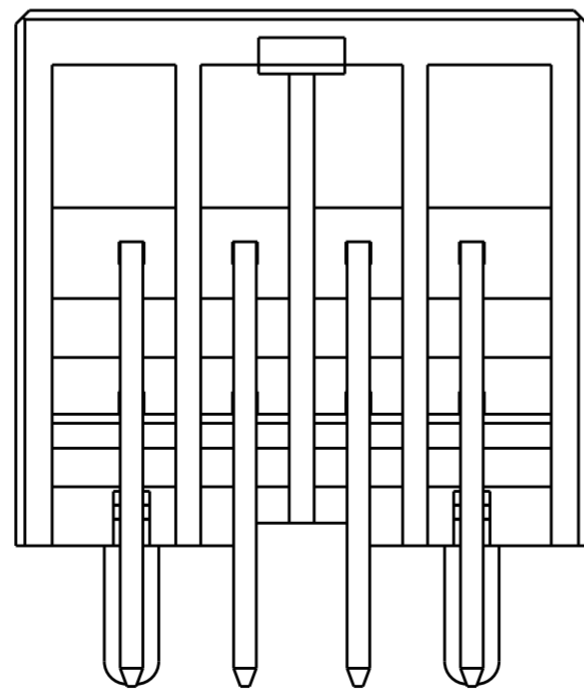
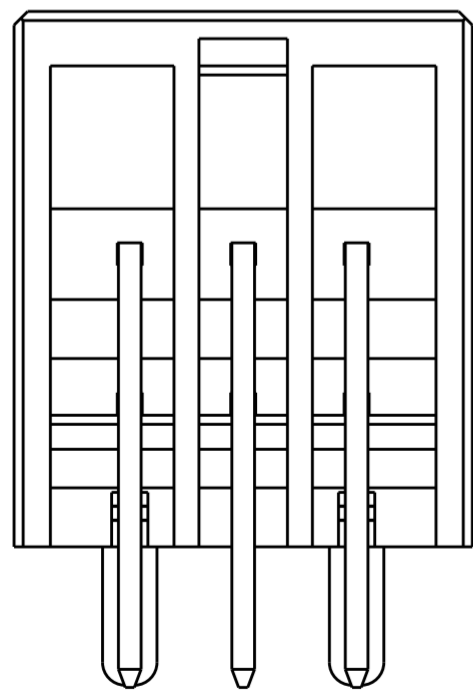
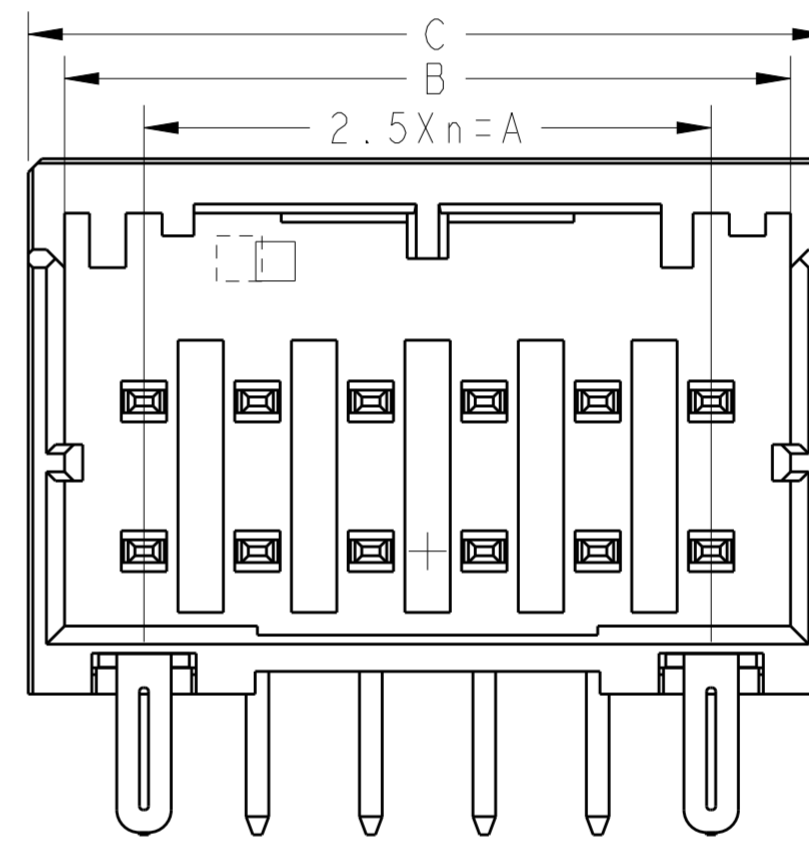
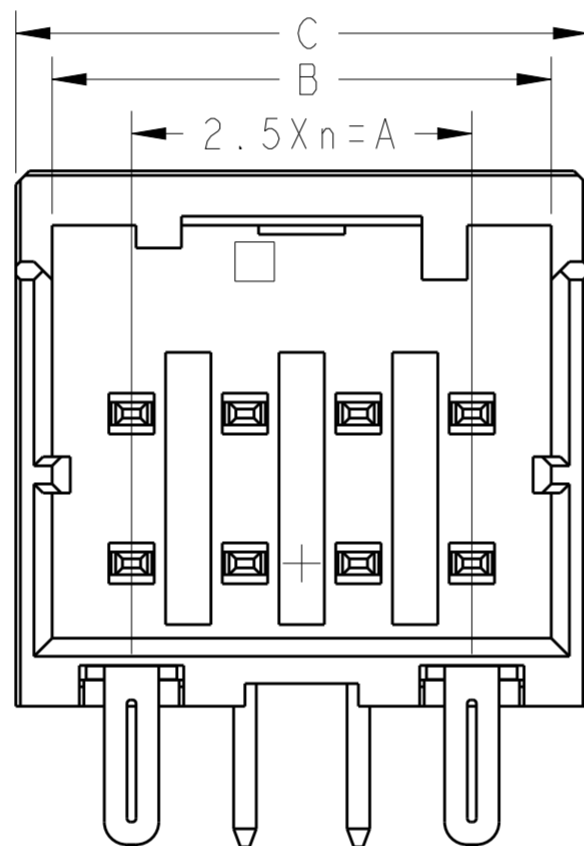
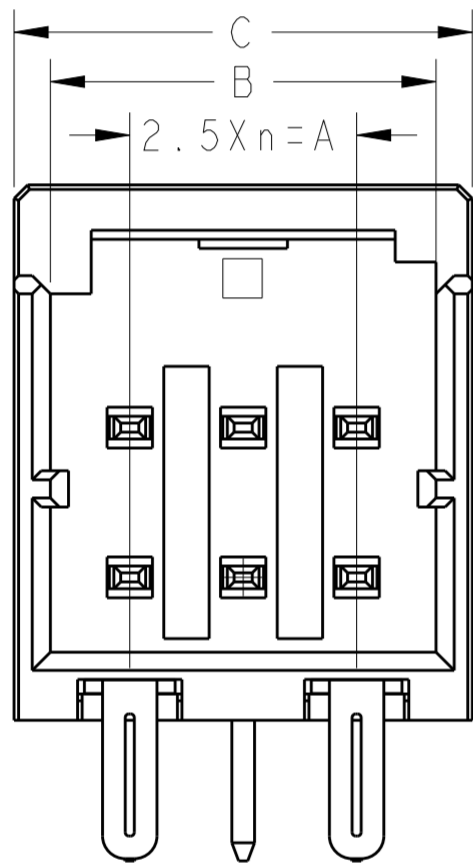
1-1827876-3
(6POS:X-KEY)



1-1827876-4
(8POS:X-KEY)



1-1827876-6
(12POS:X-KEY)



| | | | | | |
|--|---|--------------------|-----------|---------------------|---|
| THIS DRAWING IS A CONTROLLED DOCUMENT | | DWN T. KUDO | 16MAR2005 | TE Connectivity | NAME DYNAMIC D1200D 2.5mmPITCH HDR ASSY (H-TYPE) 4-20POS |
| DIMENSIONS: | | CHK D. MITSUGI | 14MAR2005 | | |
| mm | | APVD D. MITSUGI | 14MAR2005 | | |
| TOLERANCES UNLESS OTHERWISE SPECIFIED: | | PRODUCT SPEC | | | |
| 1.0 PLC | ± | 108-78268 | | SIZE | |
| 2.0 PLC | ± | APPLICATION SPEC | | CAGE CODE | |
| 3.0 PLC | ± | 114-5377 | | DRAWING NO | |
| 4.0 PLC | ± | WEIGHT | | A200779 | C-1827876 |
| ANGLES | ± | | | RESTRICTED TO | |
| FINISH | | | | | |
| MATERIAL | | | | SCALE | 6:1 |
| | | | | SHEET | 3 OF 3 |
| | | | | REV | C2 |

X-ON Electronics

Largest Supplier of Electrical and Electronic Components

Click to view similar products for [Headers & Wire Housings](#) category:

Click to view products by [TE Connectivity](#) manufacturer:

Other Similar products are found below :

[892-18-020-10-001101](#) [58102-G61-06LF](#) [582553-1](#) [0009485154](#) [009176003701906](#) [0050291907](#) [LY20-4P-DT1-P1E-BR](#) [02.125.8002.8](#)
[609-3404](#) [61062-3](#) [61082-181009](#) [622-3653LF](#) [63453-116](#) [636-1030](#) [636-1427](#) [636-3427](#) [636-4007](#) [641938-9](#) [641991-4](#) [644827-2](#) [65817-](#)
[010LF](#) [65817-015LF](#) [65863-015LF](#) [66207-023LF](#) [67095-007LF](#) [67601157](#) [68645-018](#) [68648-049](#) [70.362.1628.0](#) [70-4210](#) [70-4226B](#) [70-](#)
[4853B](#) [707-5020](#) [707-5028](#) [71.350.2428.0](#) [71918-208LF](#) [71961-016LF](#) [733-134](#) [733-162](#) [754199-000](#) [760-3052](#) [787-8014-00](#) [79531-3000](#)
[FCN-360C032-B](#) [FCN-367T-T012/H](#) [FCN-723D010/2](#) [80.063.4001.1](#) [800-90-001-10-001000](#) [800-90-010-10-002000](#) [801-43-002-10-013000](#)