

THIS DRAWING IS UNPUBLISHED. RELEASED FOR PUBLICATION JUN2011
 © COPYRIGHT JUN2011 BY Tyco Electronics Japan G.K. ALL RIGHTS RESERVED.

LOC	DIST	REVISIONS			
P	LTR	DESCRIPTION	DATE	DWN	APVD
J	-	B	REVISED PER ECR-10-020319	13OCT2010	HMR TM
		C	REVISED	27JUN2011	M.M N.Y
		CI	REVISED PER ECR-17-017336	28NOV2017	T.S E.I

AS SHOWN: 1-1871935-6

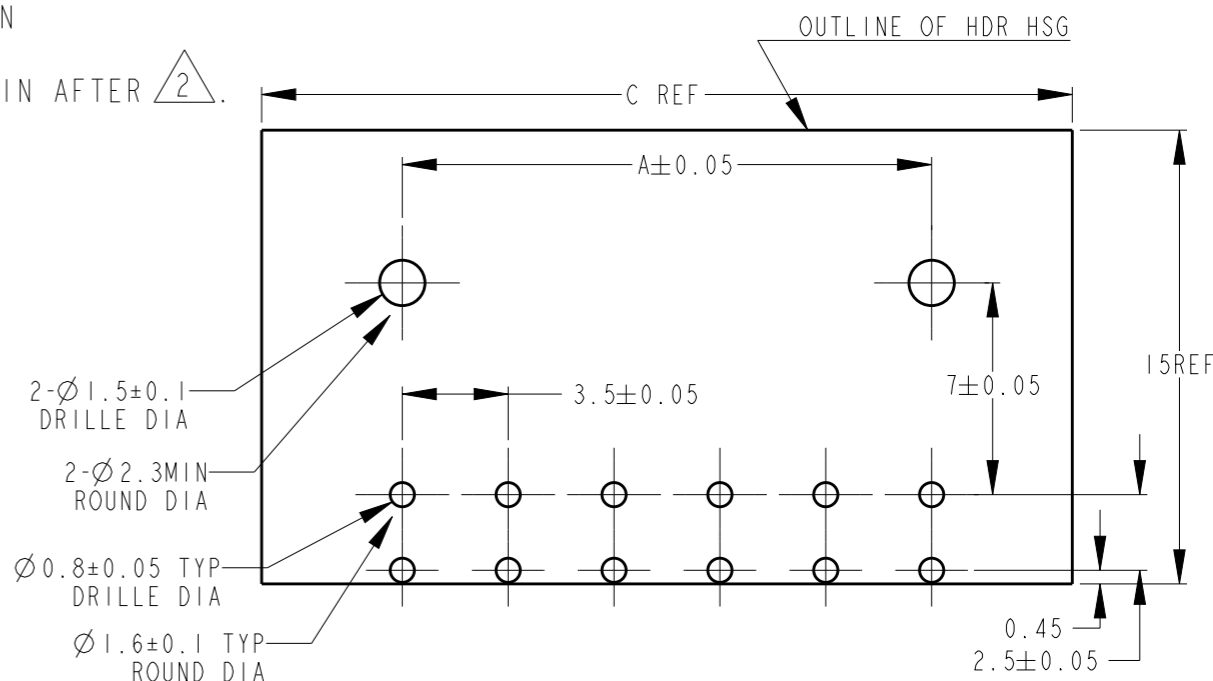
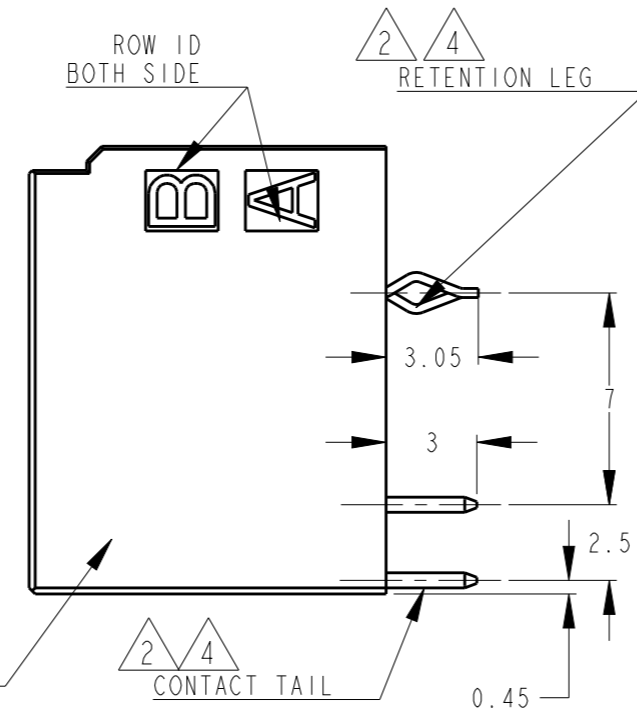
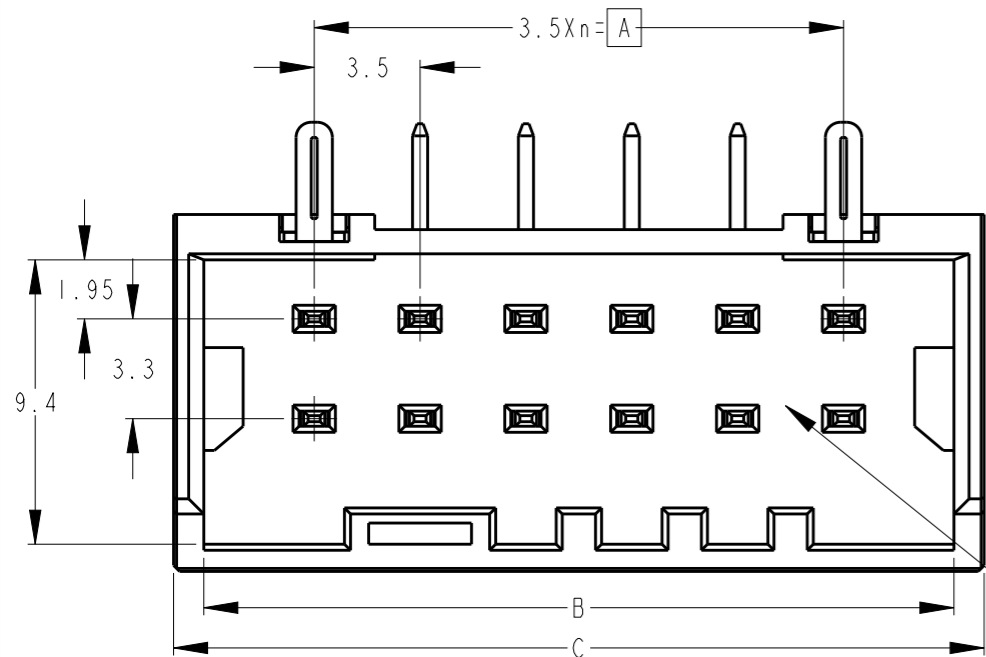
1. MATERIAL: HOUSING: GLASS FIBERED THERMO PLASTIC
 POLYESTER(94V-0), COLOR: BLACK
 CONTACT: COPPER ALLOY
 RETENTION LEG: COPPER ALLOY

2. FINISH(ALL OVER): NICKEL PL. 1.27μmMIN

3. FINISH(CONTACT AREA): GOLD PL. 0.3μmMIN AFTER 2.

4. FINISH(CONTACT TAIL, RETENTION LEG)

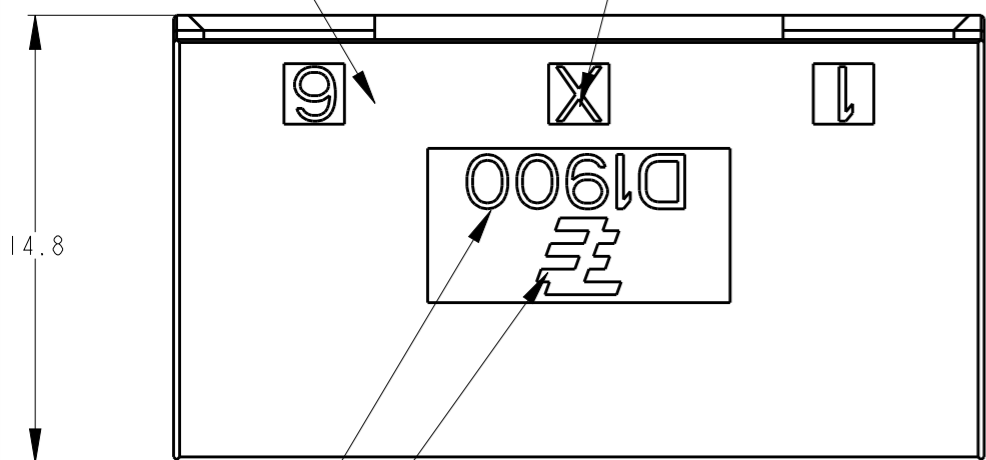
: TIN PL. 2μmMIN AFTER 2.



RECOMEND PC BOARD HOLE PATTEEN
 : CONNECTOR MOUNT SIDE (NOT ACCUMULATE TOLERANCE)
 PC BOARD THICKNESS : 1.0~1.6±0.1

CIRCUIT No.

KEYING

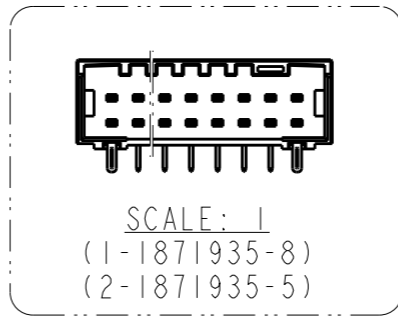


SERIES CODE

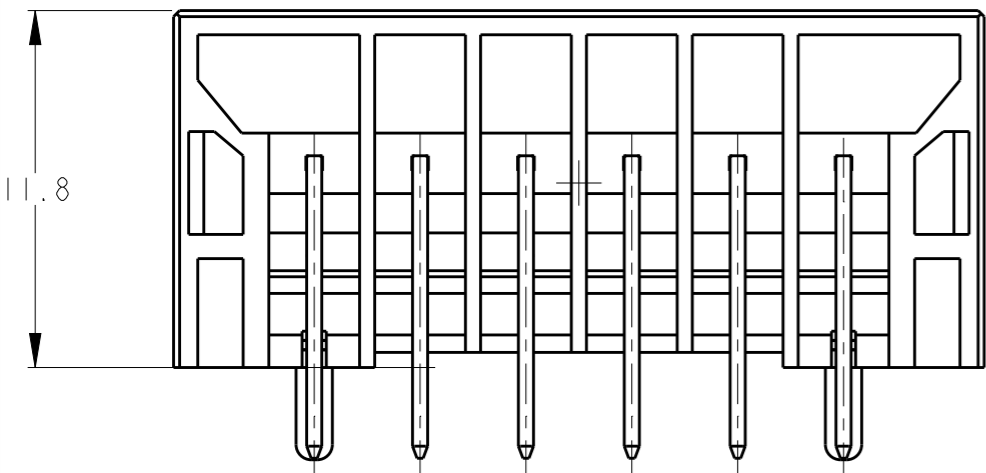
LOGO MARK

HDR HSG

CONTACT TAIL



38	18	63.0	70.3	72.3	2-1871935-9
30	14	49.0	56.3	58.3	2-1871935-5
22	10	35.0	42.3	44.3	2-1871935-1
16	7	24.5	31.8	33.8	1-1871935-8
12	5	17.5	24.8	26.8	1-1871935-6
8	3	10.5	17.8	19.8	1-1871935-4
POS.	n	A	B	C	PART NO.



THIS DRAWING IS A CONTROLLED DOCUMENT.

DWN S. TAKADA 09APR2007
 CHK J. AKASAKA 09APR2007
 APVD J. AKASAKA 09APR2007

TE Connectivity

NAME: DYNAMIC D1900D 3.5mm PITCH HDR ASSY (H-TYPE) 8-38 POS

PRODUCT SPEC: 108-78336

APPLICATION SPEC: -

WEIGHT: -

SIZE: A3 CAGE CODE: 00779 DRAWING NO: C-1871935 RESTRICTED TO: -

MATERIAL: - FINISH: 1 2 3 4

CUSTOMER DRAWING SCALE: 4:1 SHEET: 1 OF: 1 REV: CI

X-ON Electronics

Largest Supplier of Electrical and Electronic Components

Click to view similar products for [Headers & Wire Housings](#) category:

Click to view products by [TE Connectivity](#) manufacturer:

Other Similar products are found below :

[892-18-020-10-001101](#) [58102-G61-06LF](#) [582553-1](#) [0009485154](#) [009176003701906](#) [0050291907](#) [LY20-4P-DT1-P1E-BR](#) [02.125.8002.8](#)
[609-3404](#) [61062-3](#) [61082-181009](#) [622-3653LF](#) [63453-116](#) [636-1030](#) [636-1427](#) [636-3427](#) [636-4007](#) [641938-9](#) [641991-4](#) [644827-2](#) [65817-010LF](#) [65817-015LF](#) [65863-015LF](#) [66207-023LF](#) [67095-007LF](#) [67601157](#) [68645-018](#) [68648-049](#) [70.362.1628.0](#) [70-4210](#) [70-4226B](#) [70-4853B](#) [707-5020](#) [707-5028](#) [71.350.2428.0](#) [71918-208LF](#) [71961-016LF](#) [733-134](#) [733-162](#) [754199-000](#) [760-3052](#) [787-8014-00](#) [79531-3000](#)
[FCN-360C032-B](#) [FCN-367T-T012/H](#) [FCN-723D010/2](#) [80.063.4001.1](#) [800-90-001-10-001000](#) [800-90-010-10-002000](#) [801-43-002-10-013000](#)