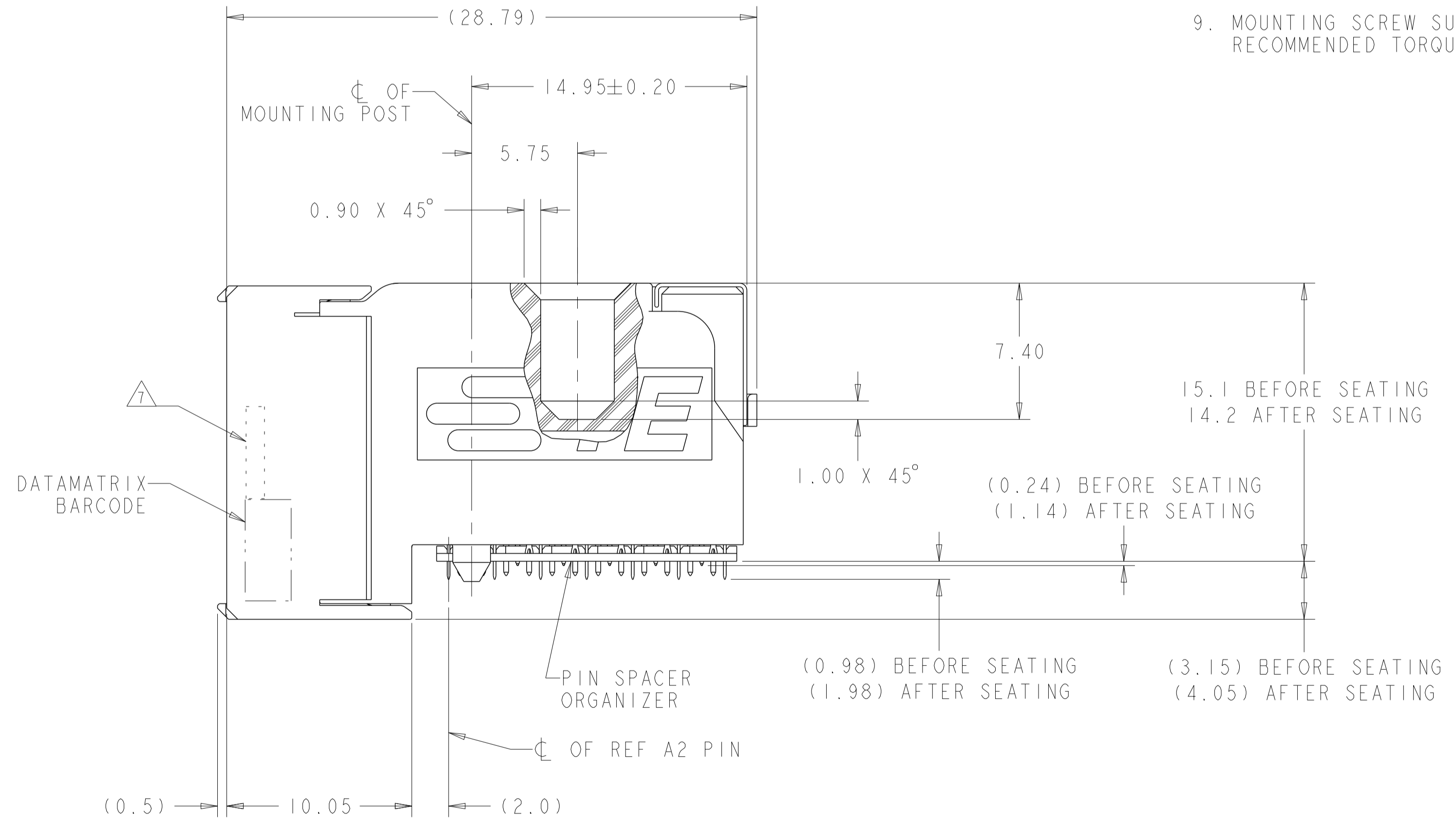
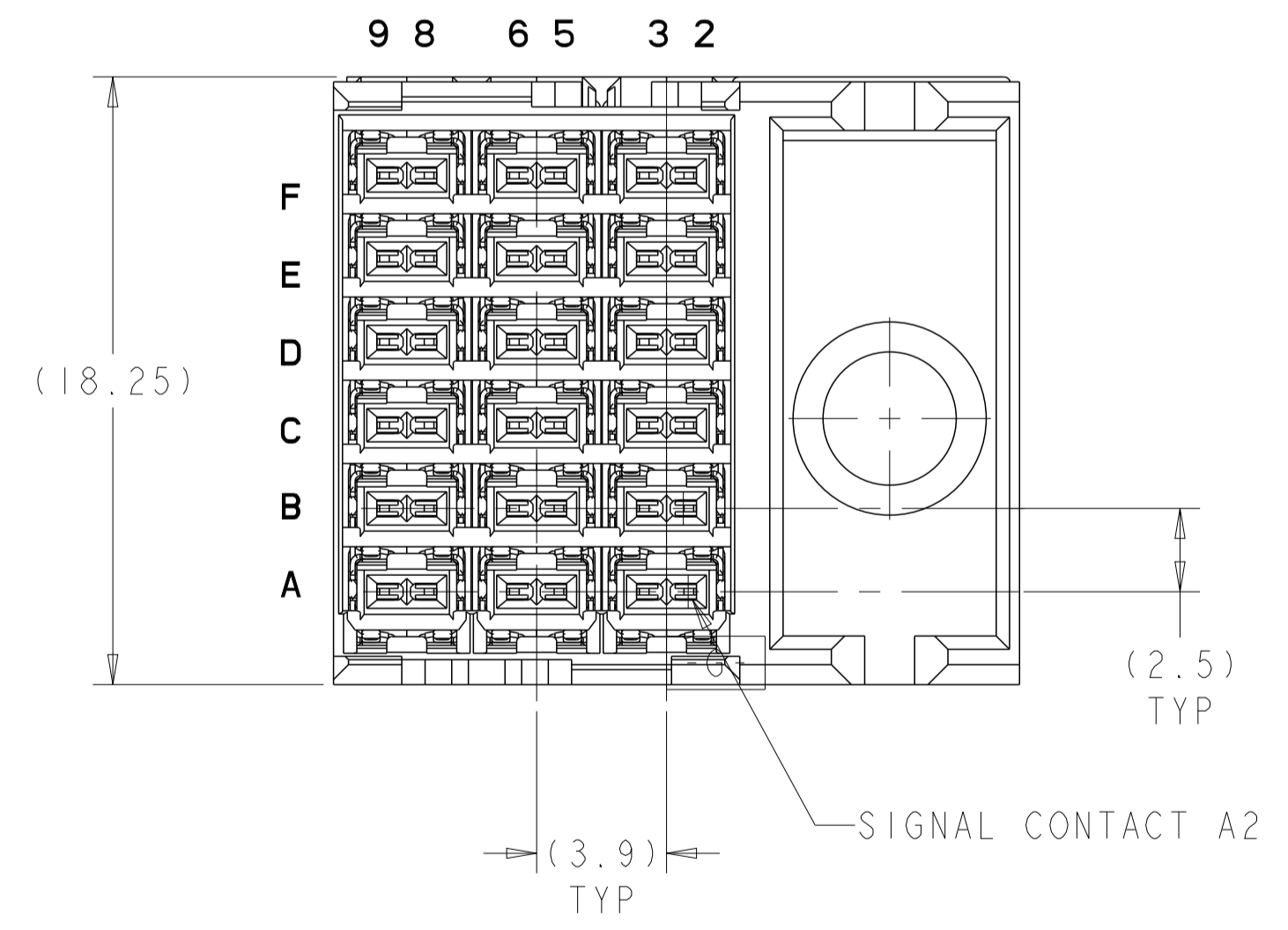
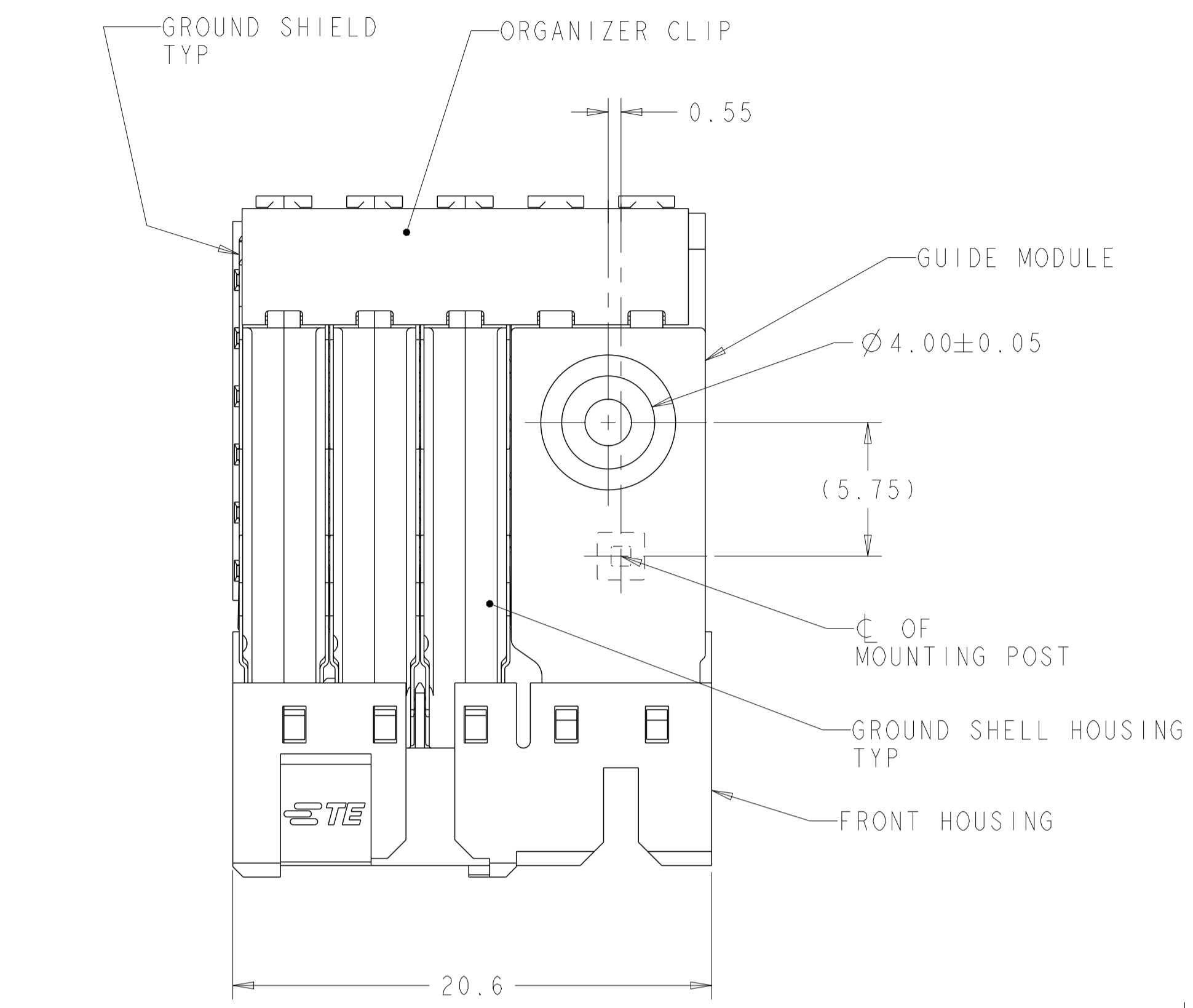


LOC		DIST		REVISIONS			
P	LTN	DESCRIPTION	DATE	DWN	APVD		
1		INITIAL RELEASE	04JUN2014	NE	SF		
2		UPDATED	07DEC2016	JM	RP		
3		REMOVE PRELIMINARY STAMP	17FEB2017	MH	DS		
A		REVISED PER ECO-17-014865	11OCT2017	AP	RP		

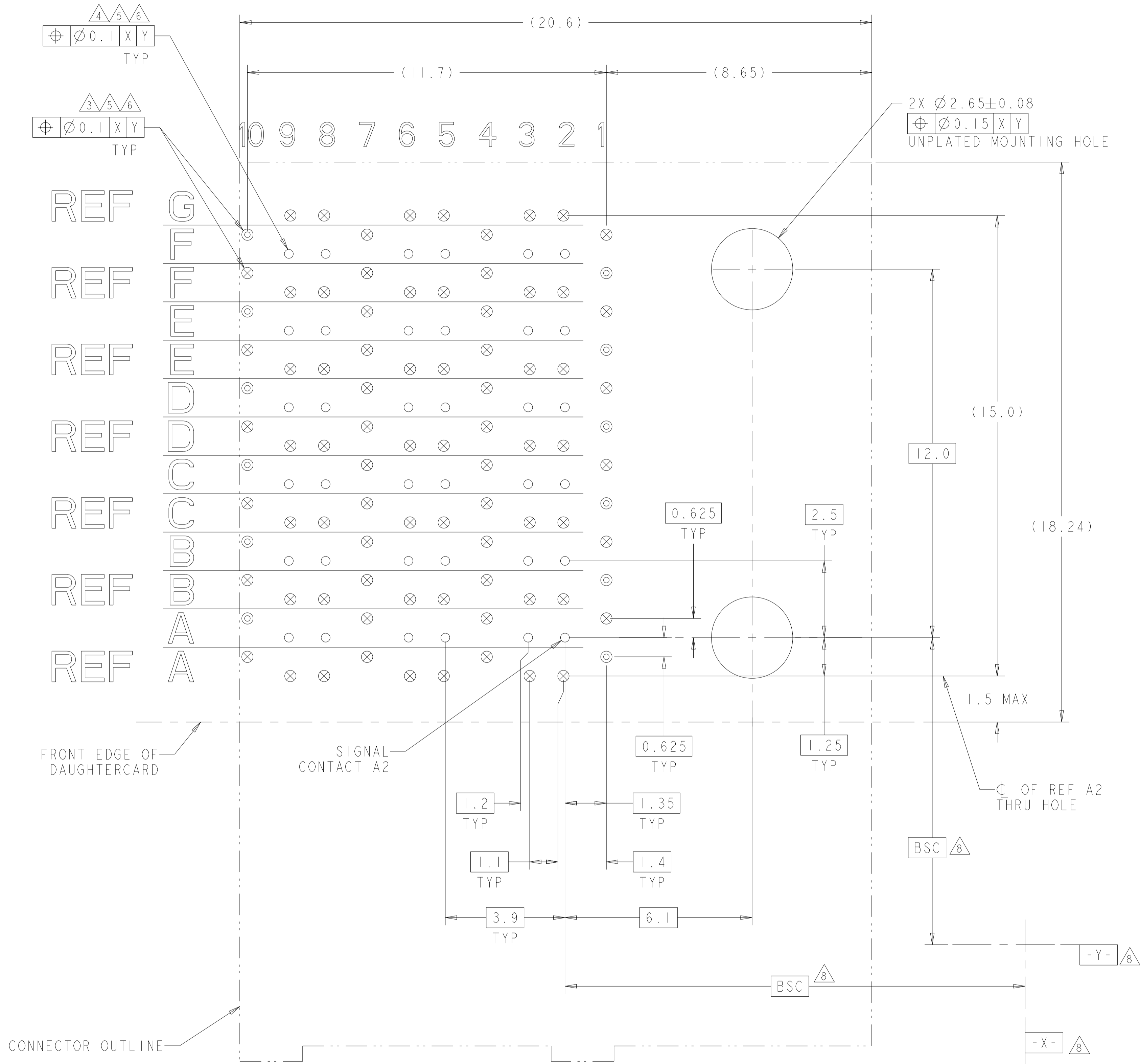


- △ MATERIAL:  
 CONTACTS AND SHIELDS - COPPER ALLOY  
 ORGANIZER CLIP - STAINLESS STEEL  
 FRONT HOUSING, GROUND SHELL HOUSINGS, GUIDE MODULE, AND PIN SPACER ORGANIZER - THERMOPLASTIC, UL 94V-0, BLACK
- △ FINISH:  
 - CONFORMS TO THE REQUIREMENTS OF TE PRODUCT SPECIFICATION 108-32021 BASED ON TELCORDIA GR-1217-CORE FOR SYSTEM QUALITY LEVEL III, APPLICATIONS IN CONTROLLED ENVIRONMENTS (CENTRAL OFFICE).  
 - COMPLIANT PIN AREA: 0.5µm MIN MATTE TIN.
- △ GROUND AND SI VIA PLATED THRU HOLE REQUIREMENTS:  
 FINISHED HOLE =  $\varnothing 0.37 \pm 0.05$   
 HOLE SIZE PRIOR TO PLATING =  $\varnothing 0.450 \pm 0.025$   
 COPPER THICKNESS = 0.025 MIN  
 IMMERSION TIN IF APPLICABLE = (0.00095)
- △ SIGNAL PLATED THRU HOLE REQUIREMENTS:  
 FINISHED HOLE =  $\varnothing 0.29 \pm 0.05$   
 HOLE SIZE PRIOR TO PLATING =  $\varnothing 0.368 \pm 0.025$  (#79 DRILL)  
 COPPER THICKNESS = 0.025 MIN  
 IMMERSION TIN IF APPLICABLE = (0.00095)
- △ APPLIES TO FINISHED HOLE DIAMETER.
- △ SIGNAL HOLES AND SI VIAS:  
 PTH DIMENSIONS APPLY TO THE TOP 1.00mm OF THE PCB THICKNESS FROM THE CONNECTOR MOUNTING SIDE.  
 GROUND HOLES:  
 PTH DIMENSIONS APPLY TO THE TOP 1.25mm OF THE PCB THICKNESS FROM THE CONNECTOR MOUNTING SIDE.
- △ CONNECTOR MARKED WITH PART NUMBER, DATE CODE, AND "85 OHM" IN APPROXIMATE AREA SHOWN.
- △ DATUMS AND BASIC DIMENSIONS ESTABLISHED BY CUSTOMER.
- 9. MOUNTING SCREW SUPPLIED WITH CONNECTOR. SCREW TO BE FULLY TIGHTENED. RECOMMENDED TORQUE: 0.23 N-m [2.0 IN-LB]

2187605-1  
 PART NO

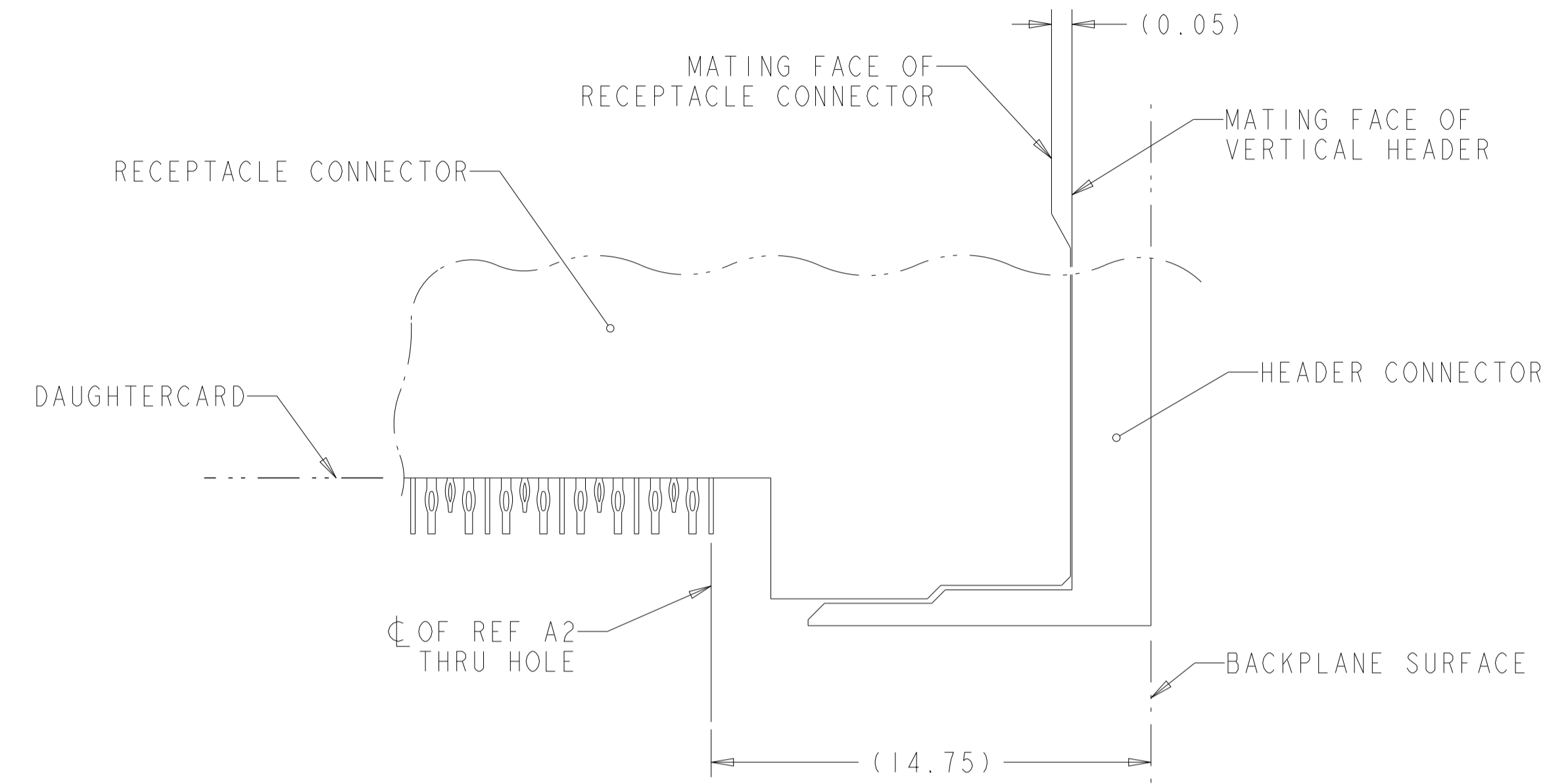
THIS DRAWING IS A CONTROLLED DOCUMENT.		DWN: S. J. MAGARO 04JUN2014	TE Connectivity
DIMENSIONS: mm		CHK: N. EVANS 04JUN2014	
TOLERANCES UNLESS OTHERWISE SPECIFIED:		APVD: S. FLICKINGER 04JUN2014	NAME: RA RECEPTACLE ASSEMBLY, 85 OHM, 6 PAIR, 3 COLUMN, GUIDED, PAIR-IN-ROW, STRADA WHISPER PRODUCT SPEC: 108-32021 APPLICATION SPEC: 114-32029
0 PLC ± 1 PLC ±0.2 2 PLC ±0.13 3 PLC ± 4 PLC ± ANGLES ± FINISH ±		SIZE: A1 CAGE CODE: 00779 DRAWING NO: C=2187605 WEIGHT: - CUSTOMER DRAWING	
MATERIAL: △		FINISH: △	RESTRICTED TO: -
SCALE: 5:1		SHEET: 1 OF 2	REV: A

LOC	DIST	REV	DATE	BY	APPV
		1			
		2			
		3			
		4			
		5			
		6			
		7			
		8			

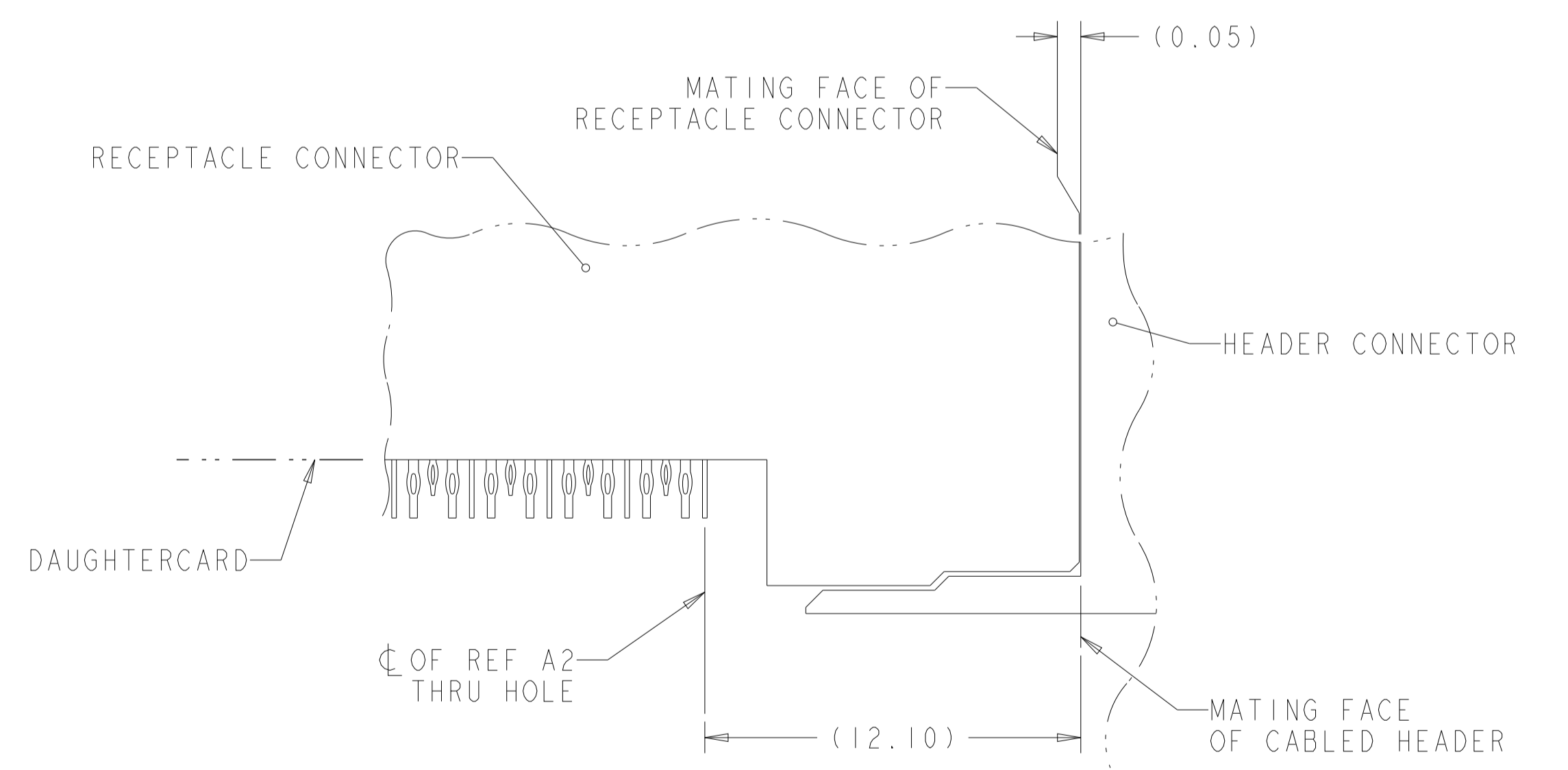


RECOMMENDED PCB LAYOUT  
 COMPONENT SIDE SHOWN  
 SCALE 12:1

- = SIGNAL
- ⊗ = GROUND
- ⊙ = SIGNAL INTEGRITY VIA TO GROUND



MIDPLANE APPLICATION  
 MATED ASSEMBLY (PARTIAL VIEW)  
 SCALE 6:1



CABLED HEADER APPLICATIONS  
 MATED ASSEMBLY (PARTIAL VIEW)  
 SCALE 6:1

THIS DRAWING IS A CONTROLLED DOCUMENT.		OWN: S. J. MAGARO 04JUN2014	TE Connectivity
DIMENSIONS: mm		CHK: N. EVANS 04JUN2014	
TOLERANCES UNLESS OTHERWISE SPECIFIED:		APV: S. FLICKINGER 04JUN2014	NAME: RA RECEPTACLE ASSEMBLY, 85 OHM, 6 PAIR, 3 COLUMN, GUIDED, PAIR-IN-ROW, STRADA WHISPER
0 PLC	±	PRODUCT SPEC	SIZE: 108-32021
1 PLC	±0.2	APPLICATION SPEC	RESTRICTED TO: A1
2 PLC	±0.13	FINISH	SCALE: 5:1
3 PLC	±	WEIGHT	SHEET: 2 OF 2
4 PLC	±	CUSTOMER DRAWING	REV: A
ANGLES	±		

## X-ON Electronics

Largest Supplier of Electrical and Electronic Components

*Click to view similar products for [High Speed/Modular Connectors](#) category:*

*Click to view products by [TE Connectivity](#) manufacturer:*

Other Similar products are found below :

[650827-1](#) [74040-1346](#) [1410191-1](#) [1410368-3](#) [1410964-2](#) [1410326-3](#) [1410367-3](#) [1410971-4](#) [1467833-1](#) [2000877-1](#) [2000878-1](#) [2041314-1](#)  
[2065387-1](#) [2187307-1](#) [163P](#) [1934290-1](#) [2000875-1](#) [2065917-1](#) [2102736-2](#) [FSR-40](#) [2169868-2](#) [22354-8](#) [437-5040-000](#) [5-1393565-0](#) [039-](#)  
[0246-000](#) [0761601016](#) [0784461022](#) [10123159-12ELF](#) [030-2415-003/100 PK](#) [030-7380-004](#) [030-2494-001](#) [532939-1](#) [5532901-3](#) [3-1469268-](#)  
[7](#) [74748-102LF](#) [10041743-101LF](#) [10066670-100002LF](#) [1-533915-1](#) [249-4515-000](#) [7-1469373-3](#) [DL2-2J/S](#) [2000713-8](#) [2000713-7](#)  
[10124313-101LF](#) [3011-21](#) [757105208](#) [EBTF-4-10-2.0-S-RA-1](#) [430305-001](#) [4395800100](#) [8140115](#)