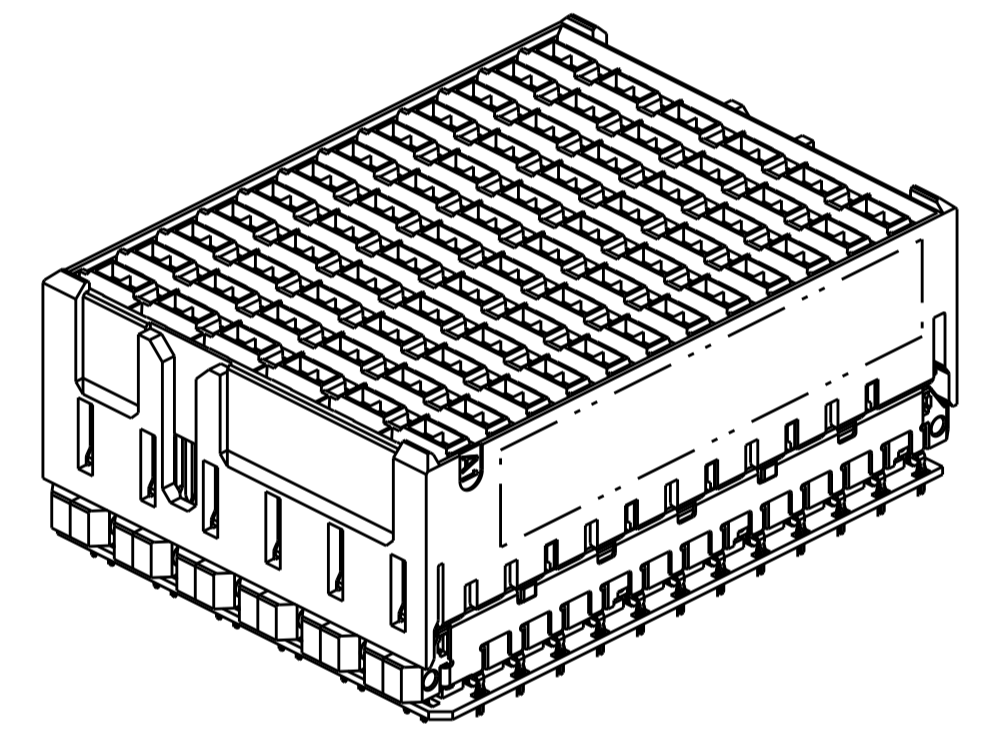
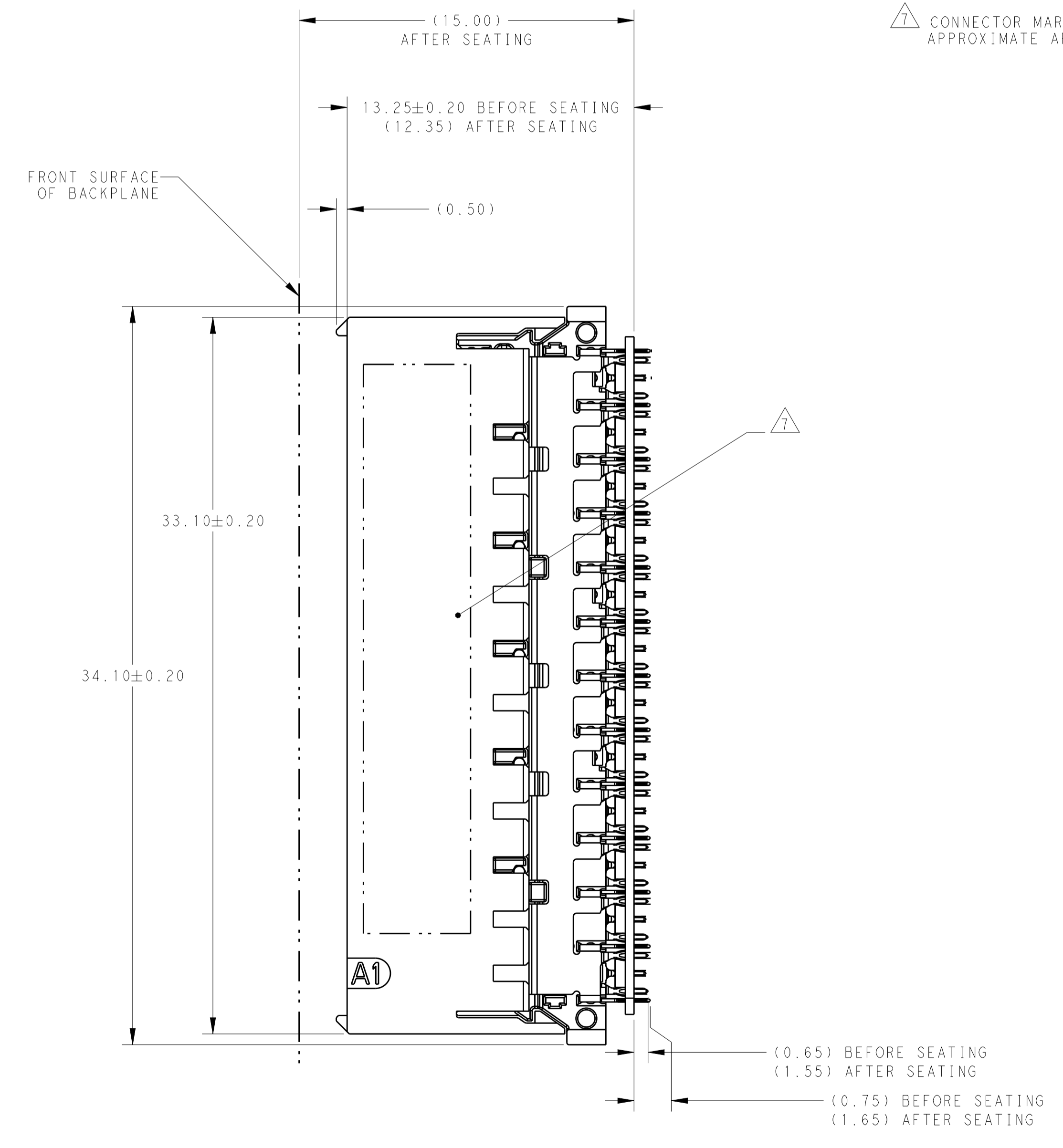
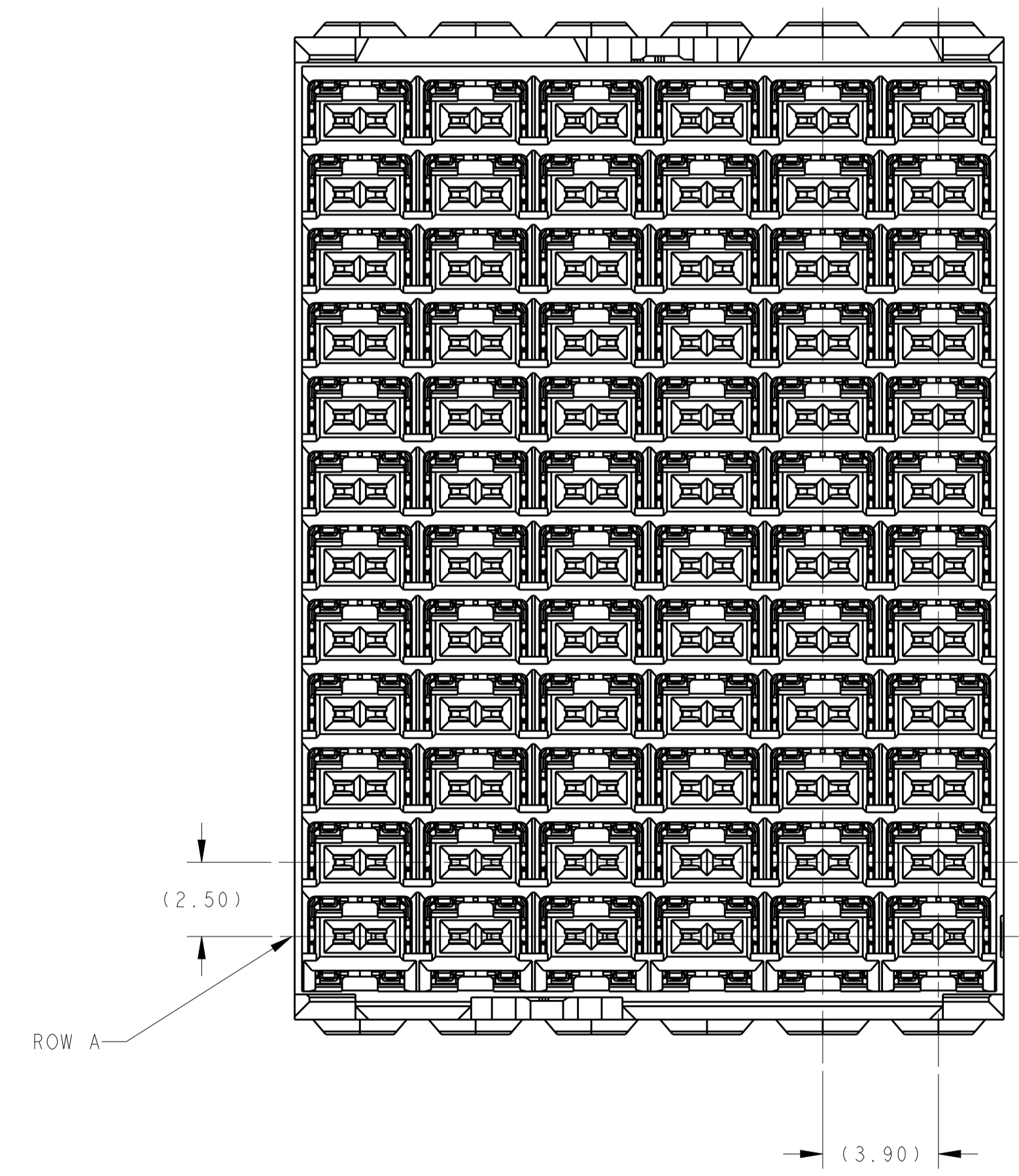
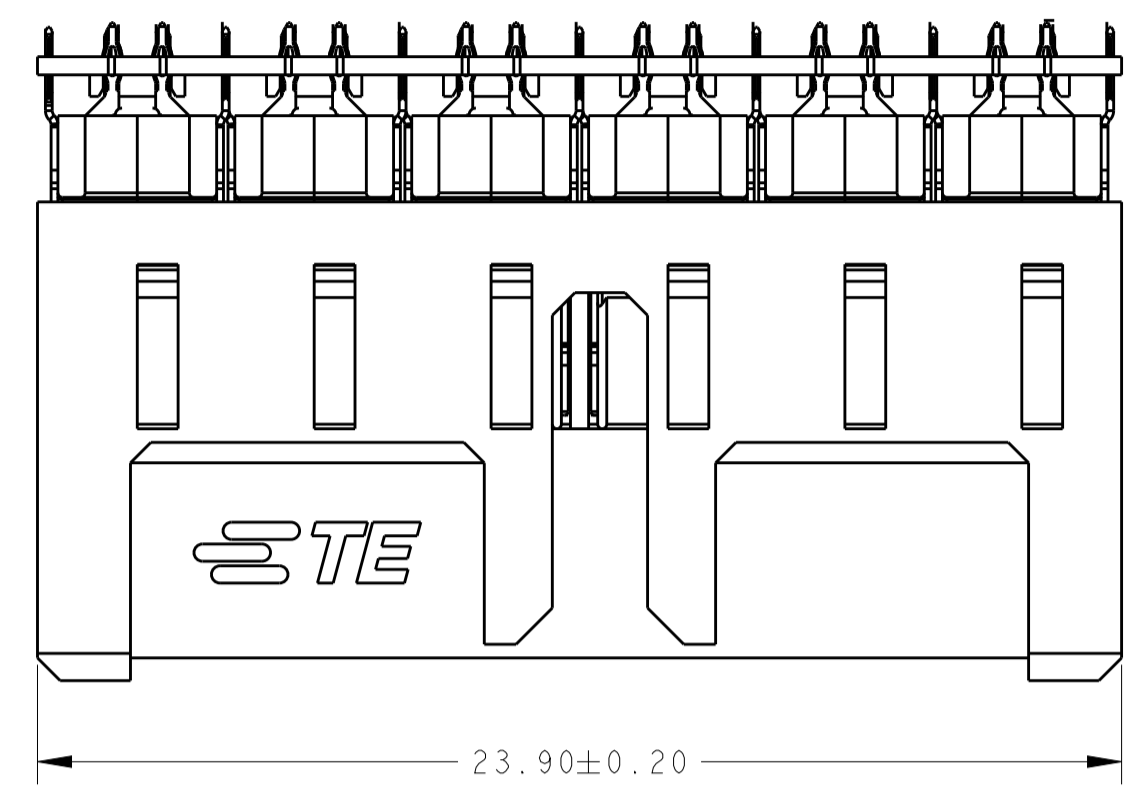


REVISIONS				
P.	LTN	DESCRIPTION	DATE	OWN APVD
A		REVISED PER ECO-16-016761	24NOV2016	AP RP
A1		ECO-17-005634	20APR2017	MH DS
A2		ECO-17-010749	24JUL2017	MH DS
B		REVISED PER ECO-18-005518	12APR2018	AP RP

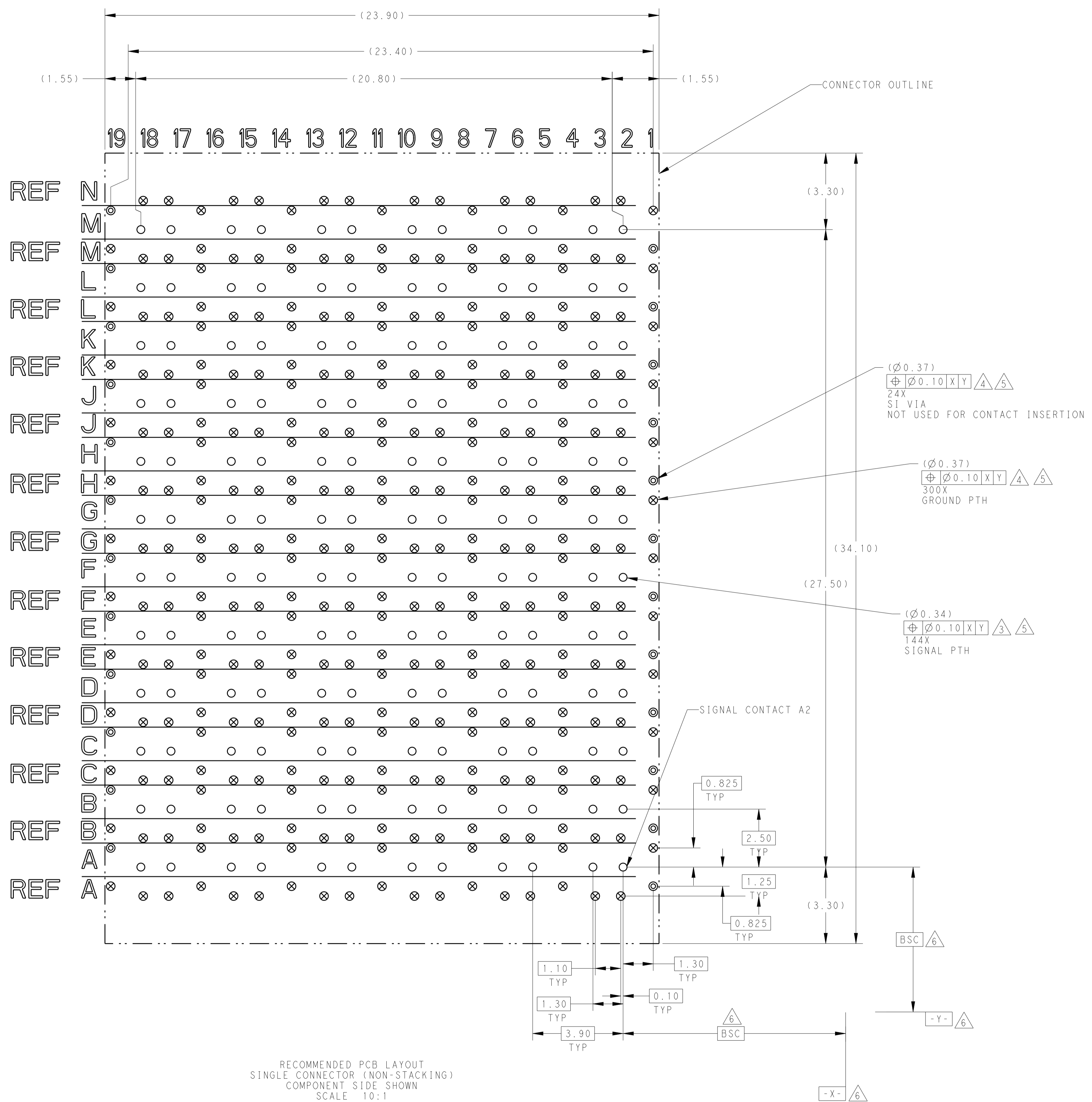


- 1 MATERIAL:
CONTACTS AND SHIELDS - COPPER ALLOY
HOUSINGS AND TAIL ORGANIZER - THERMOPLASTIC, UL 94V-0, BLACK
- 2 FINISH:
- CONFORMS TO THE REQUIREMENTS OF TE PRODUCT SPECIFICATION 108-32112 BASED ON TELCORDIA GR-1217-CORE FOR SYSTEM QUALITY LEVEL III, APPLICATIONS IN CONTROLLED ENVIRONMENTS (CENTRAL OFFICE).
- COMPLIANT PIN AREA: 0.5µm MIN MATTE TIN.
- 3 SIGNAL PLATED THRU HOLE REQUIREMENTS:
FINISHED HOLE = Ø0.34 ± 0.05
HOLE SIZE PRIOR TO PLATING = Ø0.420 ± 0.025
COPPER THICKNESS = 0.025 MIN
IMMERSION TIN IF APPLICABLE = (0.00095)
- 4 GROUND AND SI VIA PLATED THRU HOLE REQUIREMENTS:
FINISHED HOLE = Ø0.37 ± 0.05
HOLE SIZE PRIOR TO PLATING = Ø0.450 ± 0.025
COPPER THICKNESS = 0.025 MIN
IMMERSION TIN IF APPLICABLE = (0.00095)
- 5 PTH DIMENSIONS APPLY TO THE TOP 1.25mm OF THE PCB THICKNESS FROM THE CONNECTOR MOUNTING SIDE.
- 6 DATUMS AND BASIC DIMENSIONS ESTABLISHED BY CUSTOMER
- 7 CONNECTOR MARKED WITH PART NUMBER, DATE CODE, AND "100 OHM" IN APPROXIMATE AREA SHOWN, ON EITHER SIDE OF HOUSING.

2187626-1
PART NUMBER

THIS DRAWING IS A CONTROLLED DOCUMENT.		OWN: N. EVANS 09FEB2015		12 PAIR, 6 COLUMN, 100 OHM, PAIR-IN-ROW, STRADA WHISPER VERTICAL RECEPTACLE	
DIMENSIONS:		CHK: N. EVANS 09FEB2015		NAME: S. FLICKINGER	SIZE: A1
TOLERANCES UNLESS OTHERWISE SPECIFIED:		APVD: S. FLICKINGER 09FEB2015	PRODUCT SPEC: 108-32112	CAGE CODE: 114-32029	SCALE: 6:1
MATERIAL:		FINISH:	APPLICATION SPEC: 114-32029	WEIGHT:	SHEET 1 OF 2
MATERIAL:		FINISH:	WEIGHT:	CUSTOMER DRAWING	REV B

REVISIONS				
P.	LTN	DESCRIPTION	DATE	APVD
-	-	SEE SHEET 1	-	-



RECOMMENDED PCB LAYOUT
 SINGLE CONNECTOR (NON-STACKING)
 COMPONENT SIDE SHOWN
 SCALE 10:1

○ = SIGNAL
 ⊗ = GROUND
 ⊙ = SIGNAL INTEGRITY VIA TO GROUND

THIS DRAWING IS A CONTROLLED DOCUMENT.		OWN: N. EVANS 09FEB2015	TE Connectivity												
DIMENSIONS: mm		CHK: N. EVANS 09FEB2015													
TOLERANCES UNLESS OTHERWISE SPECIFIED:		APVD: S. FLICKINGER 09FEB2015	NAME: 12 PAIR, 6 COLUMN, 100 OHM, PAIR-IN-ROW, STRADA WHISPER VERTICAL RECEPTACLE												
<table border="1"> <tr><td>0 PLC</td><td>±</td></tr> <tr><td>1 PLC</td><td>±</td></tr> <tr><td>2 PLC</td><td>±</td></tr> <tr><td>3 PLC</td><td>±</td></tr> <tr><td>4 PLC</td><td>±</td></tr> <tr><td>ANGLES</td><td>±</td></tr> </table>		0 PLC	±	1 PLC	±	2 PLC	±	3 PLC	±	4 PLC	±	ANGLES	±	PRODUCT SPEC: 108-32112	RESTRICTED TO:
0 PLC	±														
1 PLC	±														
2 PLC	±														
3 PLC	±														
4 PLC	±														
ANGLES	±														
MATERIAL: -		APPLICATION SPEC: 114-32029	SIZE: A1												
FINISH: -		WEIGHT: -	CAGE CODE: C=2187626												
CUSTOMER DRAWING		SCALE: 1:1	SHEET 2 OF 2 REV B												

X-ON Electronics

Largest Supplier of Electrical and Electronic Components

Click to view similar products for [High Speed/Modular Connectors](#) category:

Click to view products by [TE Connectivity](#) manufacturer:

Other Similar products are found below :

[650827-1](#) [74040-1346](#) [1410191-1](#) [1410368-3](#) [1410964-2](#) [1410326-3](#) [1410367-3](#) [1410971-4](#) [1467833-1](#) [2000877-1](#) [2000878-1](#) [2041314-1](#)
[2065387-1](#) [2187307-1](#) [163P](#) [1934290-1](#) [2000875-1](#) [2065917-1](#) [2102736-2](#) [FSR-40](#) [2169868-2](#) [22354-8](#) [437-5040-000](#) [5-1393565-0](#) [039-](#)
[0246-000](#) [0761601016](#) [0784461022](#) [10123159-12ELF](#) [030-2415-003/100 PK](#) [030-7380-004](#) [030-2494-001](#) [532939-1](#) [5532901-3](#) [3-1469268-](#)
[7](#) [74748-102LF](#) [10041743-101LF](#) [10066670-100002LF](#) [1-533915-1](#) [249-4515-000](#) [7-1469373-3](#) [DL2-2J/S](#) [2000713-8](#) [2000713-7](#)
[10124313-101LF](#) [3011-21](#) [757105208](#) [430305-001](#) [4395800100](#) [8140115](#) [1934937-1](#)