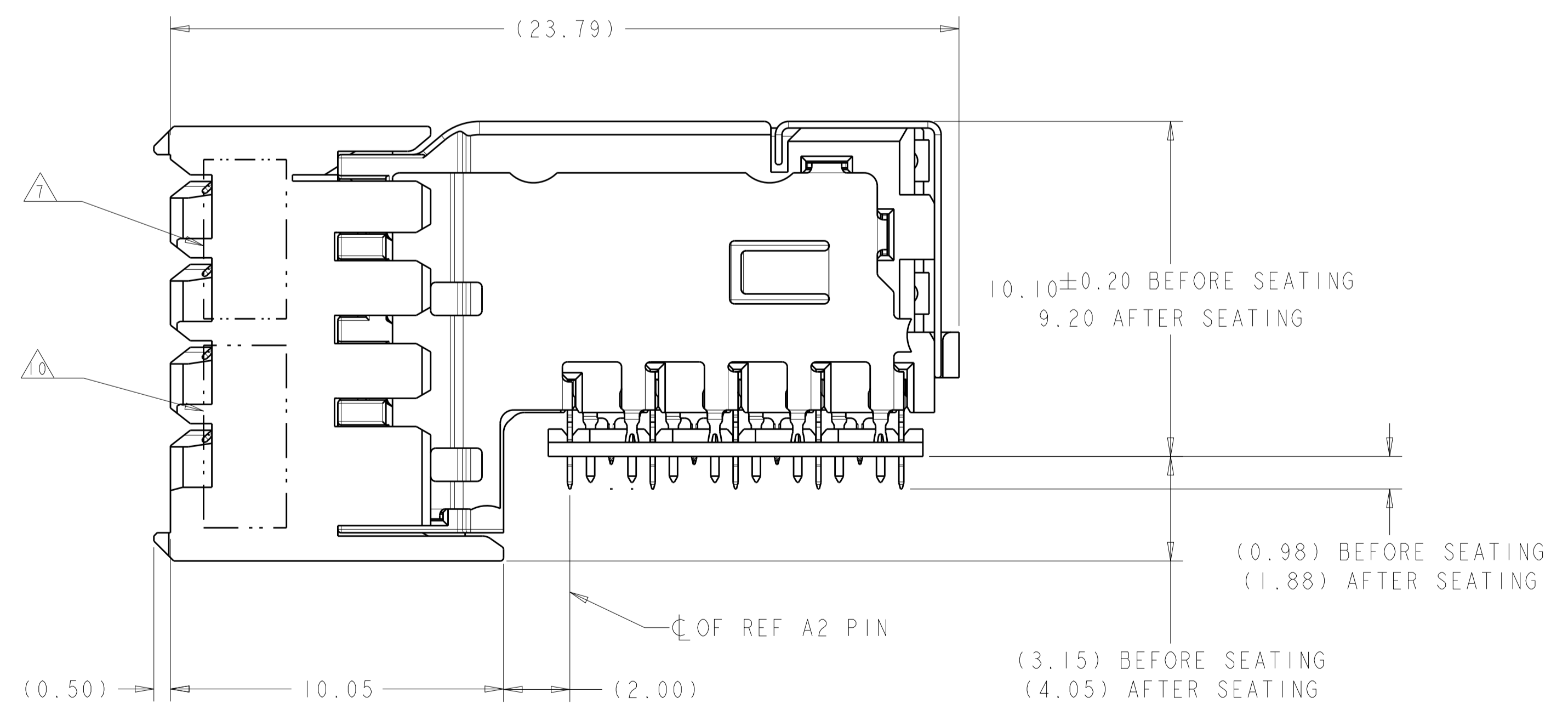
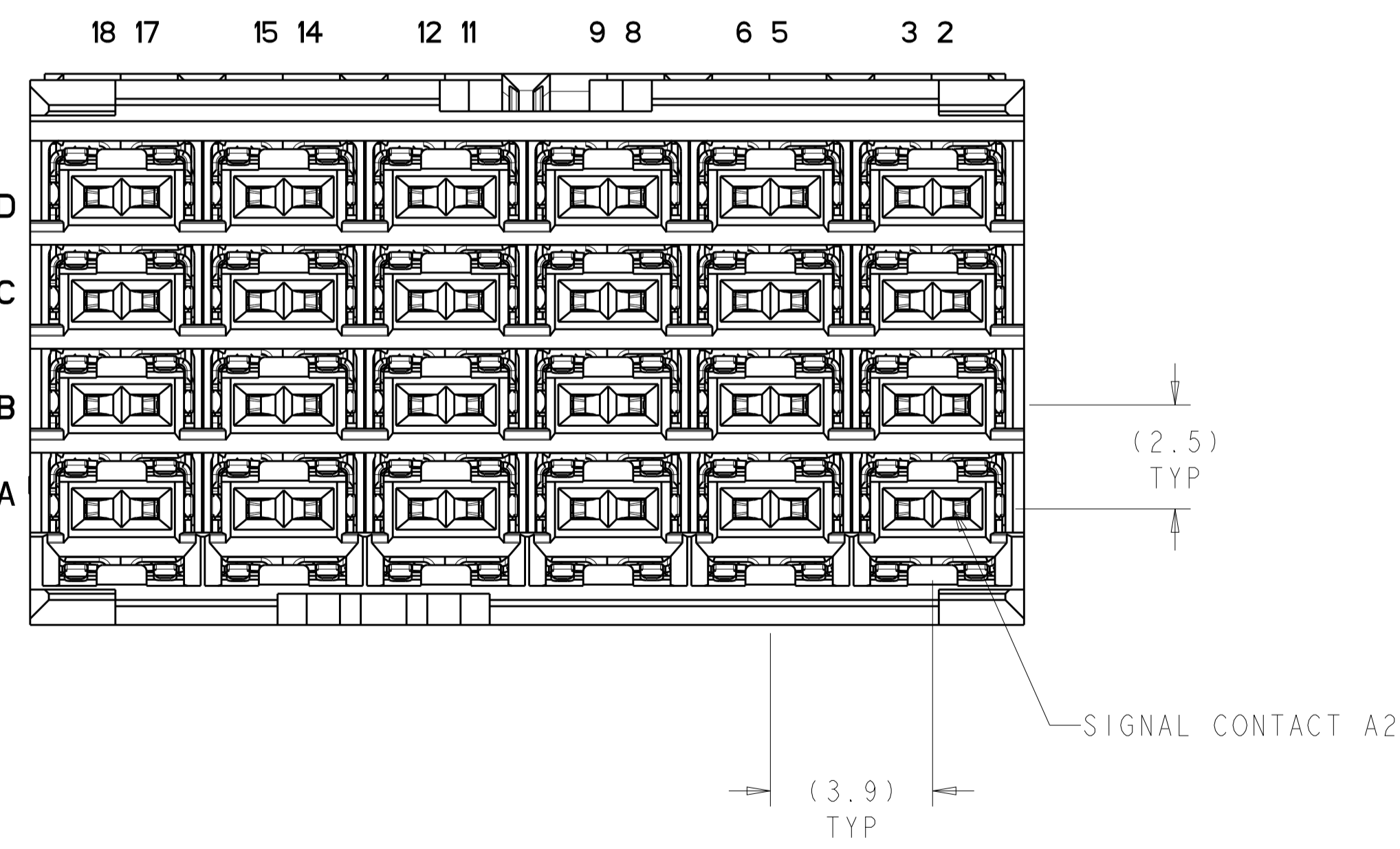
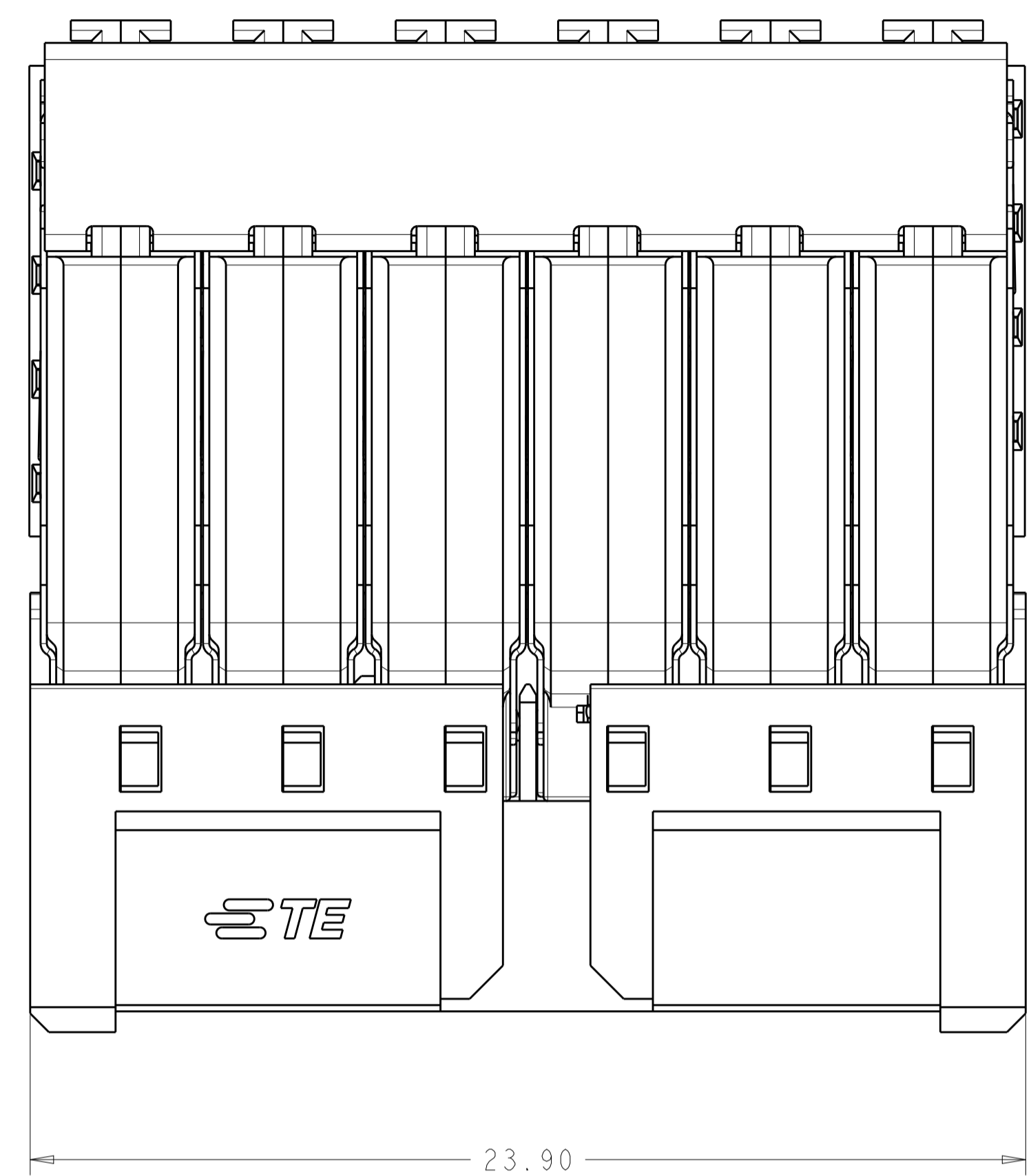


LOC	DIST	REV	DESCRIPTION	DATE	OWN	APVD
A			REVISED PER ECO-16-000464	02FEB2016	AP	RP
B			REVISED PER ECO-16-007341	13MAY2016	AP	RP
C			REVISED PER ECO-17-003153	14MAR2017	AP	RP
D			REVISED PER ECO-18-013374	27AUG2018	AP	RP

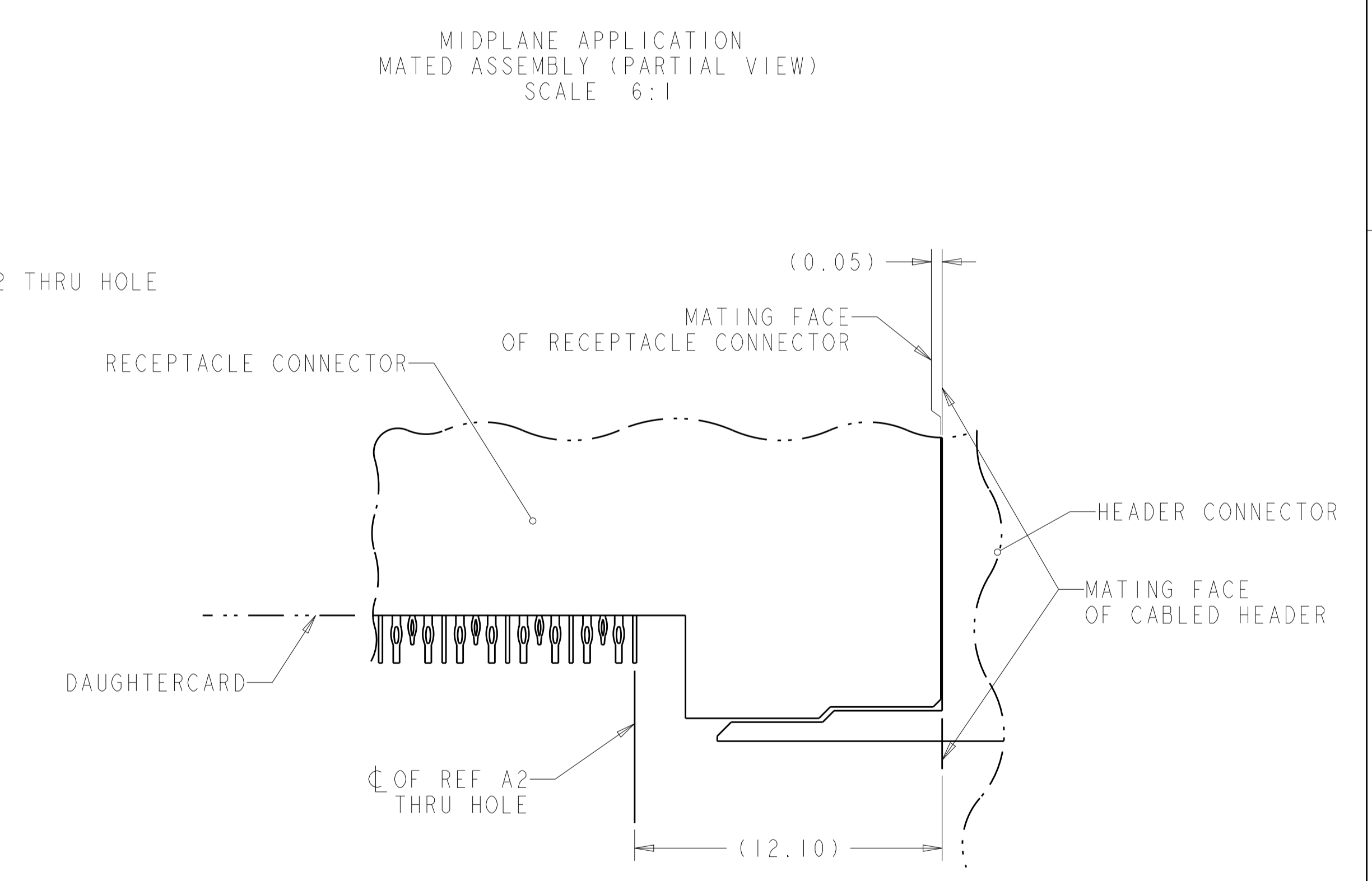
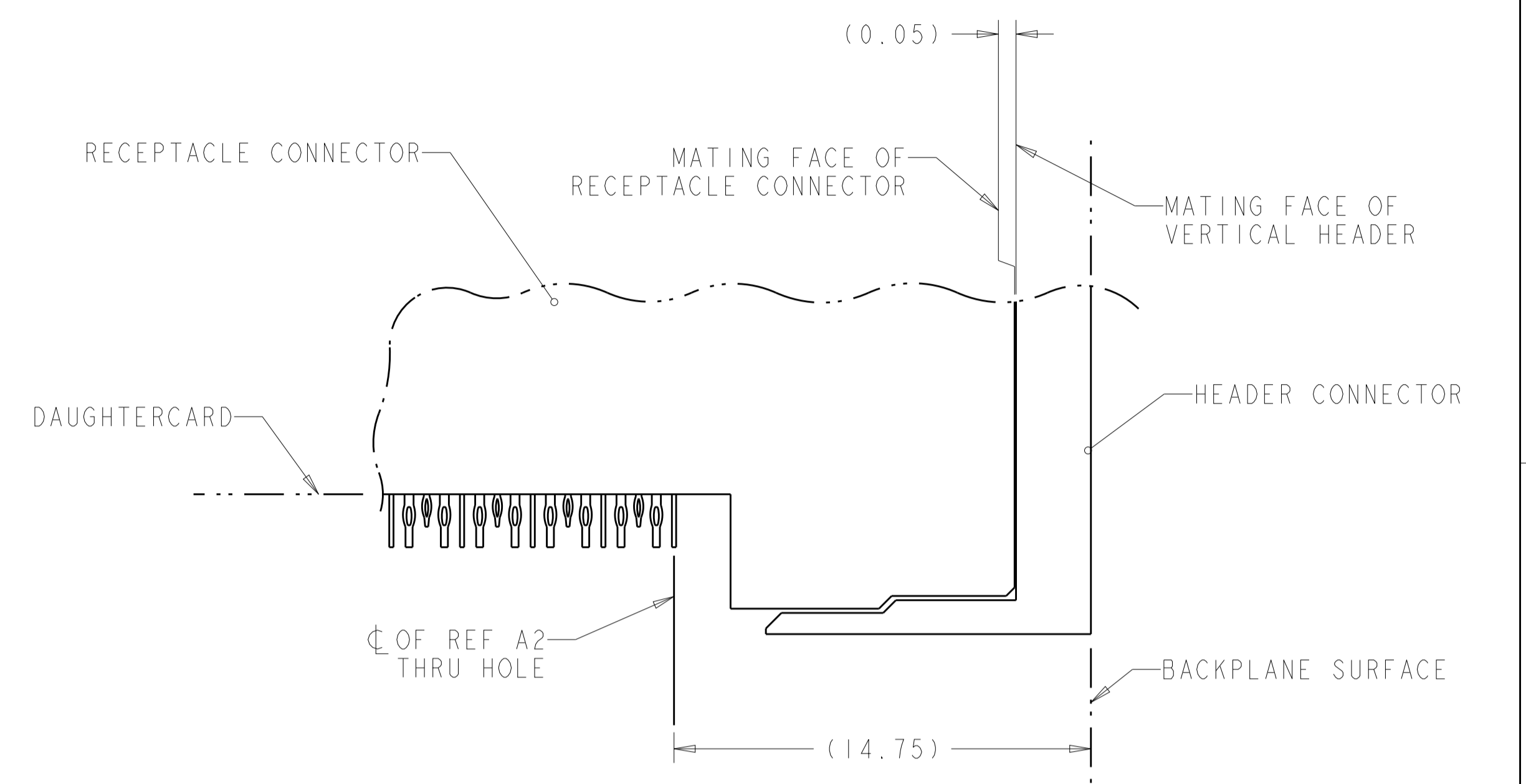
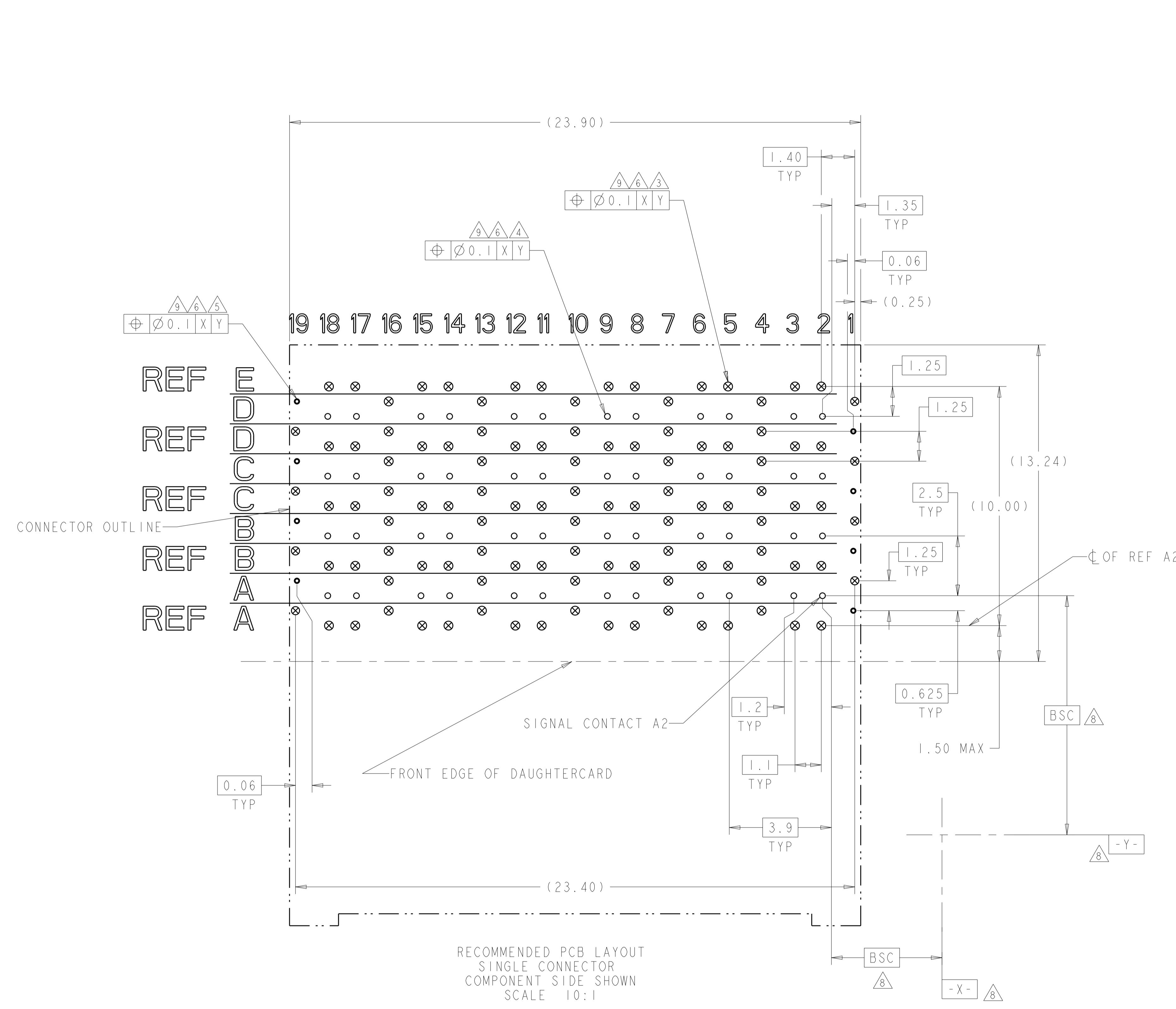


- 1 MATERIAL:
 CONTACT AND SHIELD - COPPER ALLOY.
 ORGANIZER - STAINLESS STEEL.
 HOUSING, GROUND SHIELD HOUSING AND PIN SPACER - THERMOPLASTIC.
- 2 FINISH:
 - CONFORMS TO THE REQUIREMENTS OF TE PRODUCT SPECIFICATION 108-32021
 BASED ON TELCORDIA GR-1217-CORE FOR SYSTEM QUALITY LEVEL III,
 APPLICATIONS IN CONTROLLED ENVIRONMENTS (CENTRAL OFFICE).
 - COMPLIANT PIN AREA: 0.5µm MIN MATTE TIN.
- 3 GROUND PLATED THRU HOLE REQUIREMENTS:
 FINISHED HOLE = $\varnothing 0.34 \pm 0.05$
 HOLE SIZE PRIOR TO PLATING = $\varnothing 0.420 \pm 0.025$
 COPPER THICKNESS = 0.025 MIN
 IMMERSION TIN IF APPLICABLE = 0.00095 REF
- 4 SIGNAL PLATED THRU HOLE REQUIREMENTS:
 FINISHED HOLE = $\varnothing 0.24 \pm 0.04$
 HOLE SIZE PRIOR TO PLATING = $\varnothing 0.320 \pm 0.025$
 COPPER THICKNESS = 0.025 MIN
 IMMERSION TIN IF APPLICABLE = 0.00095 REF
- 5 SI VIA PLATED THRU HOLE REQUIREMENTS:
 HOLE SIZE PRIOR TO PLATING = 0.300+/-0.025
 COPPER THICKNESS = MIN REQUIRED TO MEET REQUIRED ELECTRICAL PERFORMANCE
- 6 SI VIAS & SIGNAL HOLES:
 PTH DIMENSIONS APPLY TO THE TOP 1.00mm OF THE PCB THICKNESS FROM THE
 CONNECTOR MOUNTING SIDE.
 GROUND HOLES:
 PTH DIMENSIONS APPLY TO THE TOP 1.25mm OF THE PCB THICKNESS FROM THE
 CONNECTOR MOUNTING SIDE.
- 7 CONNECTOR MARKED WITH PART NUMBER, DATE CODE, AND "100 OHM"
 IN APPROXIMATE AREA SHOWN.
- 8 DATUMS AND BASIC DIMENSIONS ESTABLISHED BY CUSTOMER
- 9 APPLIES TO FINISHED HOLE DIAMETER.
- 10 DATAMATRIX BARCODE MARKING IN THIS AREA.

2187658-1
 PART NO

THIS DRAWING IS A CONTROLLED DOCUMENT.		OWN: J. McCLINTON 07DEC2015	TE Connectivity NAME: RIGHT ANGLE RECEPTACLE ASSEMBLY, 4 PAIR, 6 COLUMN, 100 OHM PAIR IN ROW, STRADA WHISPER
DIMENSIONS: mm		CHK: R. PATTERSON 07DEC2015	
TOLERANCES UNLESS OTHERWISE SPECIFIED:		APVD: R. PATTERSON 07DEC2015	SIZE: A1
0 PLC ±	1 PLC ±	2 PLC ±	CAGE CODE: 00779
3 PLC ± 0.13	4 PLC ±	ANGLES ±	DRAWING NO: C=2187658
MATERIAL: 1	FINISH: 2	WEIGHT: -	RESTRICTED TO: -
CUSTOMER DRAWING		SCALE: 8:1	SHEET 1 OF 2 REV D

LOC		DIST		REVISIONS			
P	LTN	DESCRIPTION	DATE	DMN	APVD		
-	-	SEE SHEET 1	-	-	-	-	-



- = SIGNAL
- ⊗ = GROUND
- ⊗ = SIGNAL INTEGRITY VIA TO GROUND

THIS DRAWING IS A CONTROLLED DOCUMENT.		DMN J. McCLINTON 07DEC2015	TE Connectivity	
DIMENSIONS:		CHK R. PATTERSON 07DEC2015		
mm	TOLERANCES UNLESS OTHERWISE SPECIFIED:	APVD R. PATTERSON 07DEC2015	NAME RIGHT ANGLE RECEPTACLE ASSEMBLY, 4 PAIR, 6 COLUMN, 100 OHM PAIR IN ROW, STRADA WHISPER	
	0 PLC ± 1 PLC ± 2 PLC ± 0.13 3 PLC ± 4 PLC ± ANGLES ±	PRODUCT SPEC	SIZE CAGE CODE DRAWING NO	
MATERIAL	FINISH	APPLICATION SPEC	A100779C=2187658	
		WEIGHT	RESTRICTED TO	
		CUSTOMER DRAWING	SCALE 1:1 SHEET 2 OF 2 REV D	

X-ON Electronics

Largest Supplier of Electrical and Electronic Components

Click to view similar products for [High Speed/Modular Connectors](#) category:

Click to view products by [TE Connectivity](#) manufacturer:

Other Similar products are found below :

[650827-1](#) [74040-1346](#) [1410191-1](#) [1410368-3](#) [1410964-2](#) [1410326-3](#) [1410367-3](#) [1410971-4](#) [1467833-1](#) [2000877-1](#) [2000878-1](#) [2041314-1](#)
[2065387-1](#) [2187307-1](#) [163P](#) [1934290-1](#) [2000875-1](#) [2065917-1](#) [2102736-2](#) [FSR-40](#) [2169868-2](#) [22354-8](#) [437-5040-000](#) [5-1393565-0](#) [039-](#)
[0246-000](#) [0740618502](#) [0761601016](#) [0784461022](#) [10123159-12ELF](#) [030-2415-003/100 PK](#) [030-7380-004](#) [030-2494-001](#) [532939-1](#) [5532901-](#)
[3](#) [3-1469268-7](#) [74748-102LF](#) [10041743-101LF](#) [10066670-100002LF](#) [1-533915-1](#) [249-4515-000](#) [7-1469373-3](#) [DL2-2J/S](#) [2000713-8](#)
[2000713-7](#) [10124313-101LF](#) [3011-21](#) [757105208](#) [430305-001](#) [4395800100](#) [8140115](#)