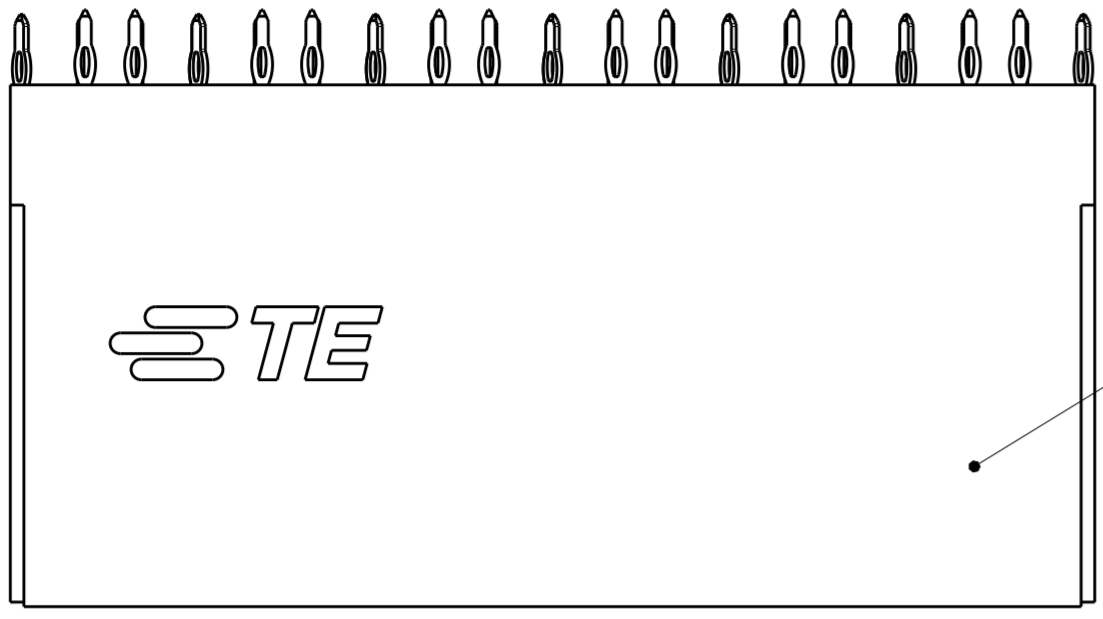
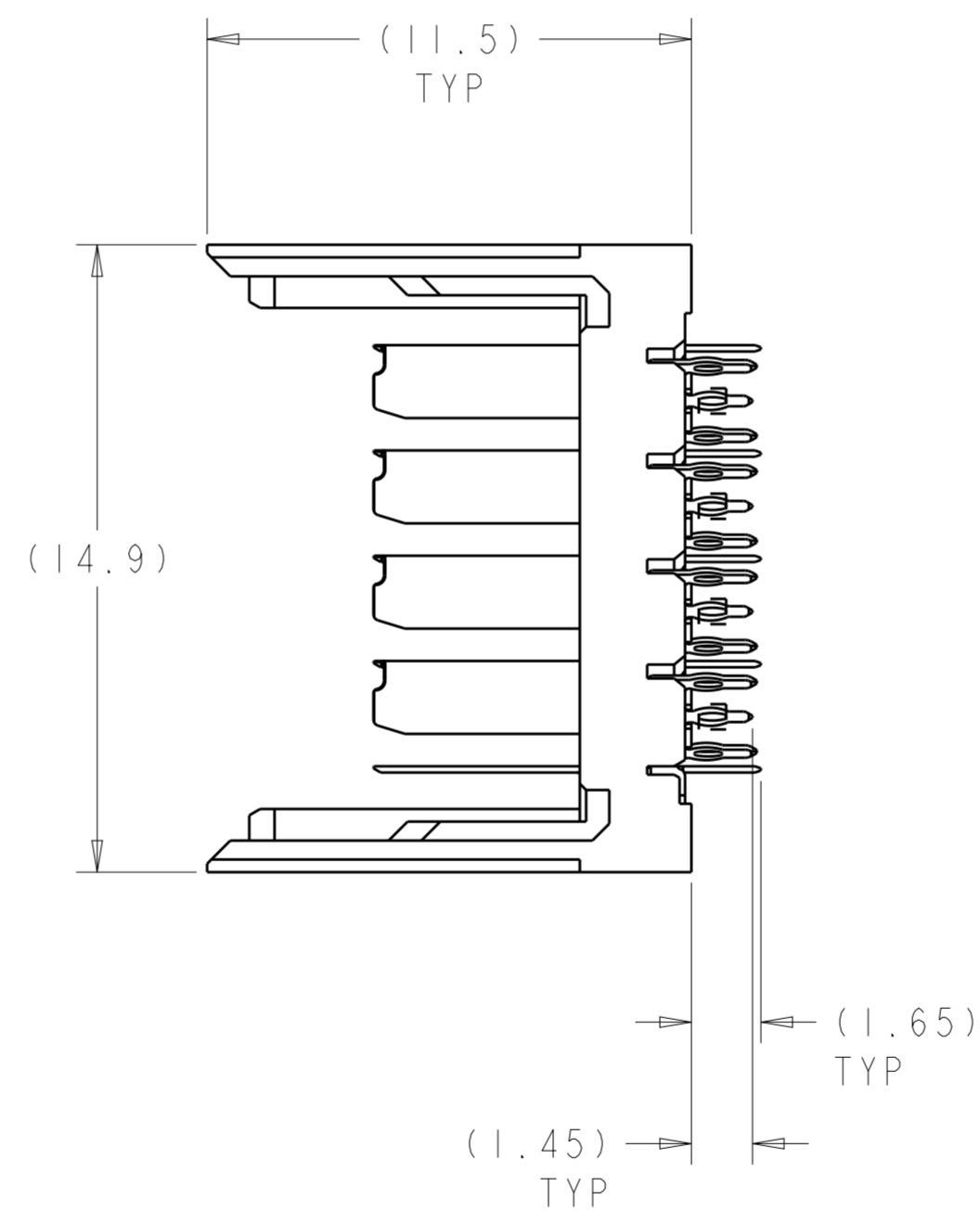
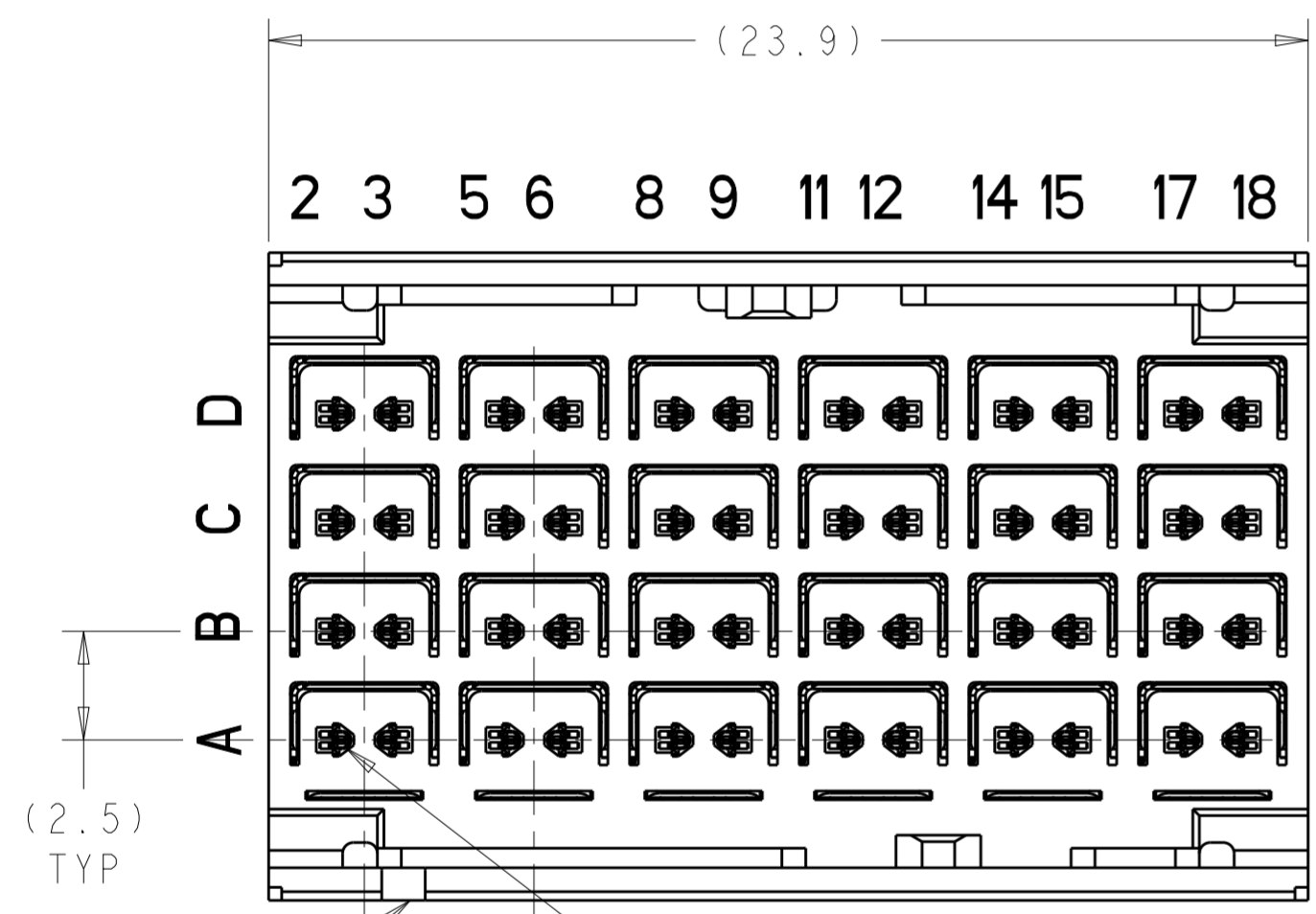


THIS DRAWING IS UNPUBLISHED. RELEASED FOR PUBLICATION 2015
 © COPYRIGHT 2015 BY TE CONNECTIVITY ALL RIGHTS RESERVED.

| REVISIONS | | | | |
|-----------|-----|-----------------|-----------|-------|
| P | LTR | DESCRIPTION | DATE | APVD |
| A | | INITIAL RELEASE | 26FEB2019 | AP RP |
| | | | | |
| | | | | |



- 1 MATERIAL:
HOUSING: THERMOPLASTIC, UL 94V-0, BLACK
CONTACTS AND SHIELDS: COPPER ALLOY
- 2 FINISH:
- CONFORMS TO THE REQUIREMENTS OF TE PRODUCT SPECIFICATION 108-32021 BASED ON TELCORDIA GR-1217-CORE FOR SYSTEM QUALITY LEVEL III, APPLICATIONS IN CONTROLLED ENVIRONMENTS (CENTRAL OFFICE).
- COMPLIANT PIN AREA: 0.5µm MIN MATTE TIN.
- 3 SIGNAL PLATED THRU HOLE REQUIREMENTS:
FINISHED HOLE = $\varnothing 0.34 \pm 0.05$
HOLE SIZE PRIOR TO PLATING = $\varnothing 0.420 \pm 0.025$
COPPER THICKNESS = 0.025 MIN
IMMERSION TIN IF APPLICABLE = (0.00095)
- 4 GROUND AND SI VIA PLATED THRU HOLE REQUIREMENTS:
FINISHED HOLE = $\varnothing 0.37 \pm 0.05$
HOLE SIZE PRIOR TO PLATING = $\varnothing 0.450 \pm 0.025$
COPPER THICKNESS = 0.025 MIN
IMMERSION TIN IF APPLICABLE = (0.00095)
- 5 PTH DIMENSIONS APPLY TO THE TOP 1.00mm OF THE PCB THICKNESS FROM THE CONNECTOR MOUNTING SIDE.
- 6 CONNECTOR MARKED WITH PART NUMBER, DATE CODE, AND "92 OHM" IN APPROXIMATE AREA SHOWN.
- 7 DATUMS AND BASIC DIMENSIONS ESTABLISHED BY CUSTOMER.
- 8. CONTACT PRODUCT ENGINEERING FOR LAYOUTS WHEN STACKING CONNECTORS.
- 9 APPLIES TO FINISHED HOLE DIAMETER.

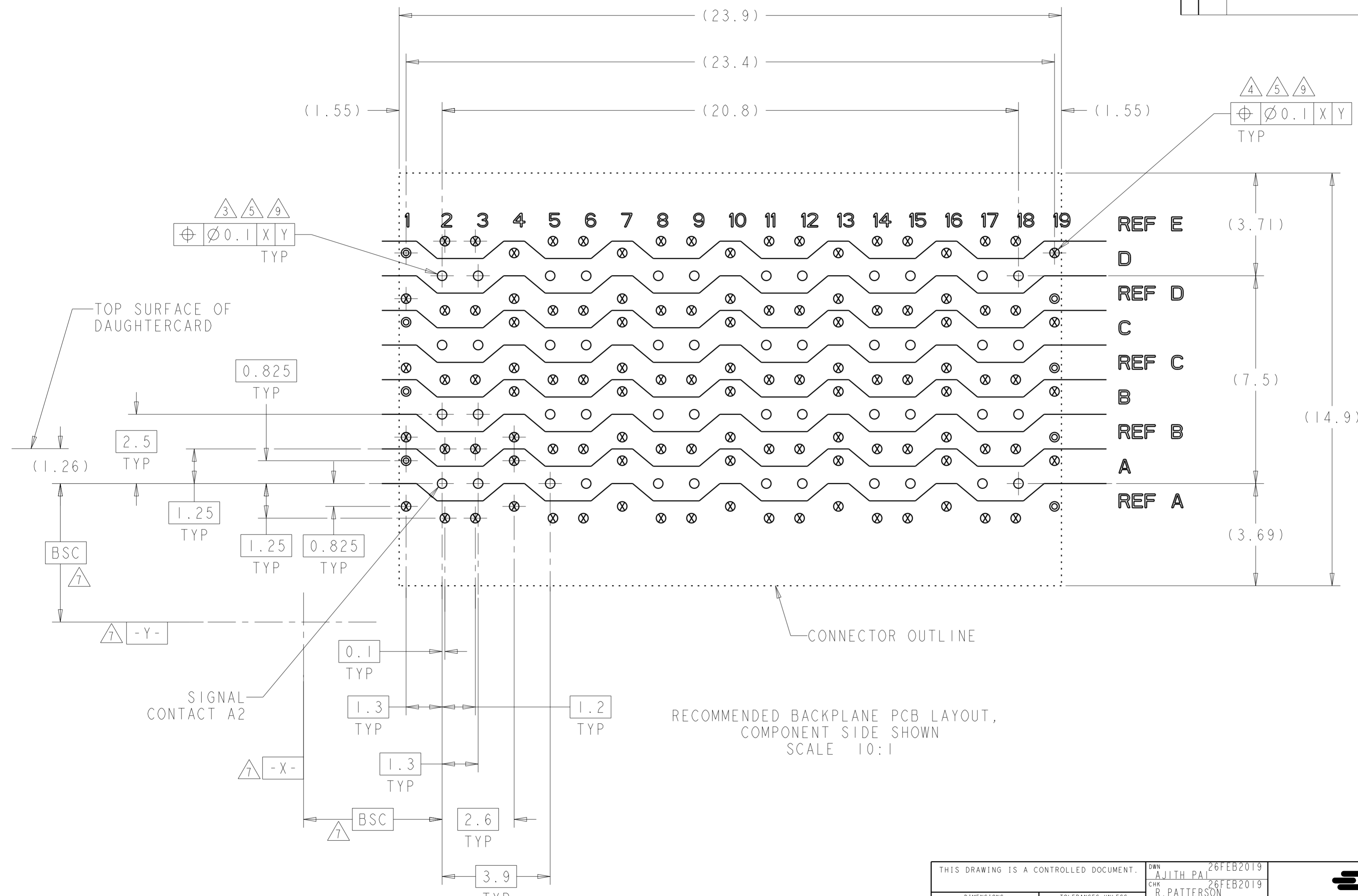


2187726-1
PART NO

| | | | | |
|--|---------------|--------------------------------|--|---------------|
| THIS DRAWING IS A CONTROLLED DOCUMENT. | | DWN 26FEB2019 AJITH PAI | STE TE Connectivity | |
| DIMENSIONS: mm | | CHK 26FEB2019 R. PATTERSON | | |
| TOLERANCES UNLESS OTHERWISE SPECIFIED: | | APVD 26FEB2019 R. PATTERSON | NAME | |
| 0 PLC ± | 1 PLC ± | PRODUCT SPEC | HEADER ASSEMBLY, 4 PAIR 6 COLUMN, OPEN ENDED, BACKPLANE, 92 OHM, PAIR-IN-ROW, STRADA WHISPER | |
| 2 PLC ± | 3 PLC ± | APPLICATION SPEC | SIZE | CAGE CODE |
| 4 PLC ± | ANGLES ± | FINISH | A2 | 00779 |
| MATERIAL | FINISH | WEIGHT | DRAWING NO | RESTRICTED TO |
| material_2 | finish_spec_2 | - | C-2187726 | |
| CUSTOMER DRAWING | | | SCALE 6:1 | SHEET 1 OF 2 |

THIS DRAWING IS UNPUBLISHED. RELEASED FOR PUBLICATION 2015
 © COPYRIGHT 2015 BY TE CONNECTIVITY ALL RIGHTS RESERVED.

| REVISIONS | | | | |
|-----------|-----|-------------|------|------|
| P | LTR | DESCRIPTION | DATE | APVD |
| - | - | SEE SHEET 1 | - | - |
| | | | | |
| | | | | |



3 5 9
 ⊕ ∅0.1 X Y
 TYP

4 5 9
 ⊕ ∅0.1 X Y
 TYP

BSC

1.25 TYP

1.25 TYP

0.825 TYP

0.1 TYP

1.3 TYP

1.2 TYP

1.3 TYP

BSC

2.6 TYP

3.9 TYP

RECOMMENDED BACKPLANE PCB LAYOUT,
 COMPONENT SIDE SHOWN
 SCALE 10:1

CONNECTOR OUTLINE

TOP SURFACE OF DAUGHTERCARD

SIGNAL CONTACT A2

- = SIGNAL
- ⊗ = GROUND
- ⊙ = SIGNAL INTEGRITY VIA TO GROUND

| | | | | | | |
|--|---------------|--------------------------------|---------------------|--|-----------|------------|
| THIS DRAWING IS A CONTROLLED DOCUMENT. | | DWN 26FEB2019 AJLTH PAL | TE Connectivity | NAME | | |
| DIMENSIONS: mm | | CHK 26FEB2019 R. PATTERSON | | HEADER ASSEMBLY, 4 PAIR 6 COLUMN, OPEN ENDED, BACKPLANE, 92 OHM, PAIR-IN-ROW, STRADA WHISPER | | |
| TOLERANCES UNLESS OTHERWISE SPECIFIED: | | APVD 26FEB2019 R. PATTERSON | | SIZE | CAGE CODE | DRAWING NO |
| 0 PLC ± | 1 PLC ± | PRODUCT SPEC | | A2 | 00779 | C-2187726 |
| 2 PLC ± | 3 PLC ± | APPLICATION SPEC | SCALE | SHEET | REV | |
| 4 PLC ± | ANGLES ± | 114-32029 | 6:1 | 2 OF 2 | A | |
| MATERIAL | FINISH | WEIGHT | CUSTOMER DRAWING | | | |
| material_2 | finish_spec_2 | - | | | | |

X-ON Electronics

Largest Supplier of Electrical and Electronic Components

Click to view similar products for [High Speed/Modular Connectors](#) category:

Click to view products by [TE Connectivity](#) manufacturer:

Other Similar products are found below :

[650827-1](#) [74040-1346](#) [1410191-1](#) [1410368-3](#) [1410964-2](#) [1410326-3](#) [1410367-3](#) [1410971-4](#) [1467833-1](#) [2000877-1](#) [2000878-1](#) [2041314-1](#)
[2065387-1](#) [2187307-1](#) [163P](#) [1934290-1](#) [2000875-1](#) [2065917-1](#) [2102736-2](#) [FSR-40](#) [2169868-2](#) [22354-8](#) [437-5040-000](#) [5-1393565-0](#) [039-](#)
[0246-000](#) [0761601016](#) [0784461022](#) [10123159-12ELF](#) [030-2415-003/100 PK](#) [030-7380-004](#) [030-2494-001](#) [532939-1](#) [5532901-3](#) [3-1469268-](#)
[7](#) [74748-102LF](#) [10041743-101LF](#) [10066670-100002LF](#) [1-533915-1](#) [249-4515-000](#) [7-1469373-3](#) [DL2-2J/S](#) [2000713-8](#) [2000713-7](#)
[10124313-101LF](#) [3011-21](#) [757105208](#) [430305-001](#) [4395800100](#) [8140115](#) [1934937-1](#)