

THIS DRAWING IS UNPUBLISHED.

RELEASED FOR PUBLICATION

ALL RIGHTS RESERVED.

© COPYRIGHT - By -

LOC E DIST B

REVISIONS

P	LTR	DESCRIPTION	DATE	DWN	APVD
P		REVISED PER ECO-11-005150	21MAR11	RK	HMR

### TECHNICAL SPECIFICATION

DISSIPATION AT 25°C

50 WATTS MOUNTED ON STANDARD HEATSINK R01 TO 50 K

BS OHMIC RANGE STABILITY

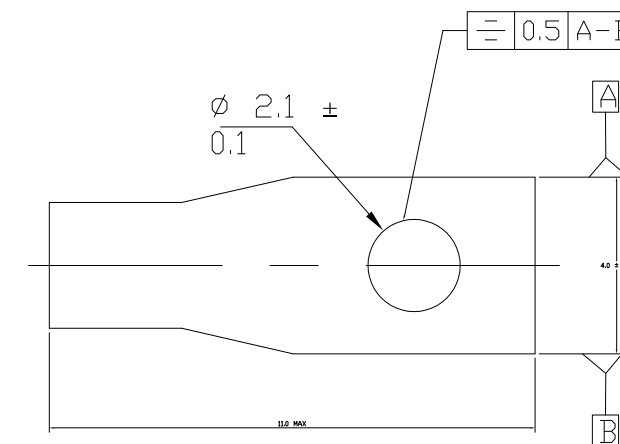
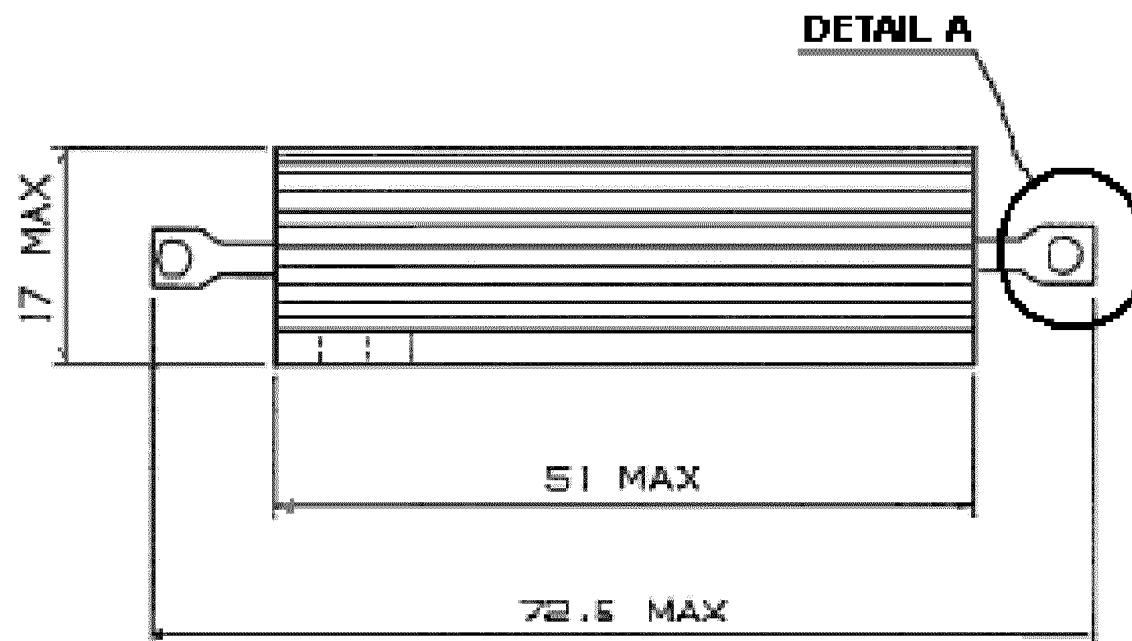
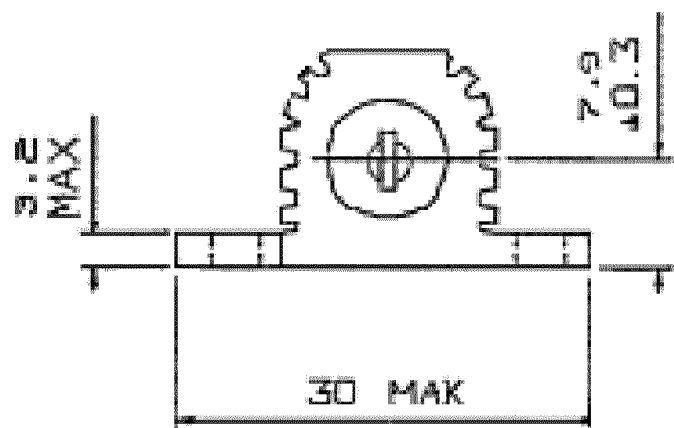
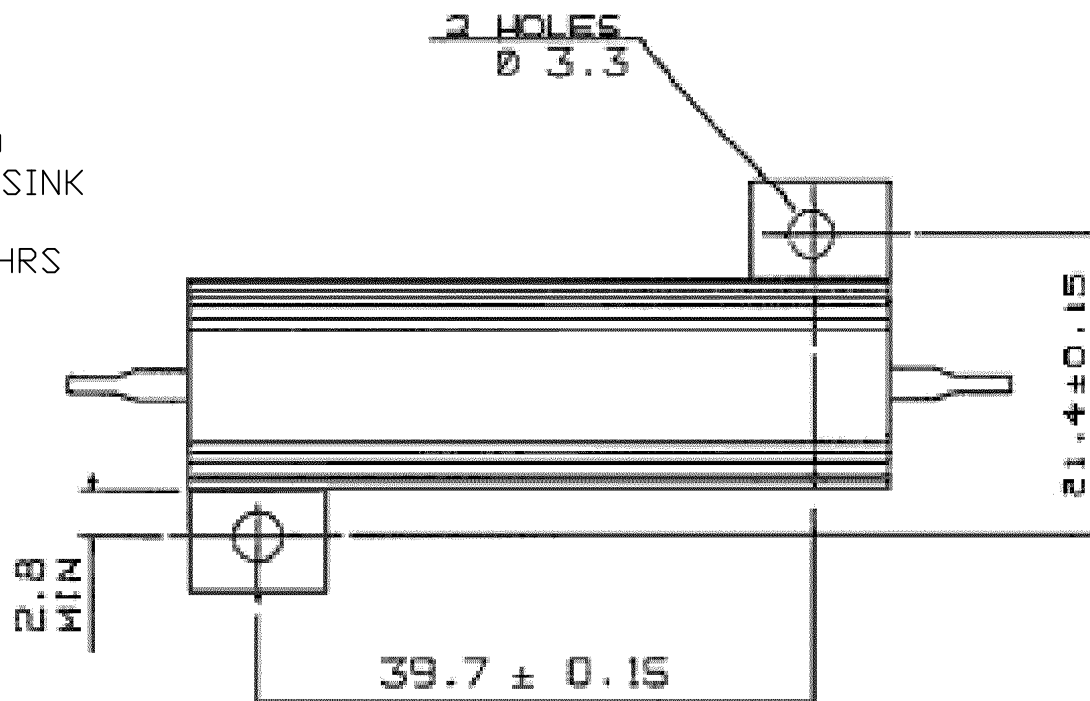
$\Delta R \leq 1\%$  PER 1000 HRS

ISOLATION VOLTAGE  
MAX WORKING VOLTAGE  
TEMP COEFFICIENT

2500V DC/AC PK  
1250V DC/AC RMS  
<100R  $\pm 50\text{ppm}/^\circ\text{C}$   
>100R  $\pm 30\text{ppm}/^\circ\text{C}$

CLIMATIC CATEGORY

55/200/56



DETAIL A

FOR A SPECIFIC PN FOR A RESISTANCE VALUE AND TOLERANCE, PLEASE REFER TO DMF.

RoHS Compliant

THIS DRAWING IS A CONTROLLED DOCUMENT.		DWN	ROB BLANCH	19SEPT06	<b>STE</b> TE Connectivity		
DIMENSIONS: mm		CHK	J CATCHPOLE	19SEPT06			
TOLERANCES UNLESS OTHERWISE SPECIFIED:		APVD	J CATCHPOLE	19SEPT06	NAME		
0 PLC	$\pm -$	PRODUCT SPEC			THS50 NARROW BORE METAL CLAD RESISTOR		
1 PLC	$\pm -$	APPLICATION SPEC			RESTRICTED TO		
2 PLC	$\pm -$	WEIGHT	-		SIZE	CAGE CODE	DRAWING NO
3 PLC	$\pm -$	MATERIAL			A300779 C-1879071		
4 PLC	$\pm -$	FINISH			SCALE		
ANGLES	$\pm -$	CUSTOMER DRAWING			NTS		
					SHEET		1 OF 1
					REV		P

## X-ON Electronics

Largest Supplier of Electrical and Electronic Components

*Click to view similar products for [Wirewound Resistors - Chassis Mount](#) category:*

*Click to view products by [TE Connectivity](#) manufacturer:*

Other Similar products are found below :

[HD300HLR71J](#) [RER50F18R7RC02](#) [RER50F7R50RC02](#) [RER75F4991MC02](#) [RH0055R000FC02W09](#) [2-1623821-6](#) [FVT200-500](#)  
[RDSF010015R00JDBNI](#) [RER60F34R8RC02](#) [RER60F51R1MC0230](#) [RER65F1R50PC02](#) [RER70F62R5PC02](#) [VK100NA-200](#) [VK100NA-50](#)  
[VK100NA-750](#) [40/70MJ2K00BE](#) [VP10FA-3K](#) [VP50KA-20K](#) [VPR10F1](#) [VPR10F-13.5K](#) [VPR10F-4500](#) [VPR10F-4.5K](#) [VPR10F-4K](#)  
[VPR10F-700](#) [VPR10F-7.5K](#) [VPR20H150](#) [VPR5F-22.5K](#) [L75J1K0E](#) [VRH320 3K3 K](#) [RER65F2940PC02](#) [RER65F4R99RC02](#)  
[RER75F1R00RC02](#) [RER65FR100RC02](#) [RER70F27R4P](#) [VPR5F-600](#) [VPR5F250](#) [VPR10F-8K](#) [VPR10F-6K](#) [VPR10F225](#) [VPR10F-1.75K](#)  
[VPR10F-1.25K](#) [VPR10F-125](#) [VPR10F10](#) [VP50KA-12K](#) [VP50KA-100K](#) [VP25KA-5000](#) [VK100NA250](#) [VK100NA-15](#) [850J5R0E-B](#)  
[L100J150E-MT1](#)