

THIS DRAWING IS UNPUBLISHED.

RELEASED FOR PUBLICATION

© COPYRIGHT - By -

ALL RIGHTS RESERVED.

LOC E DIST B

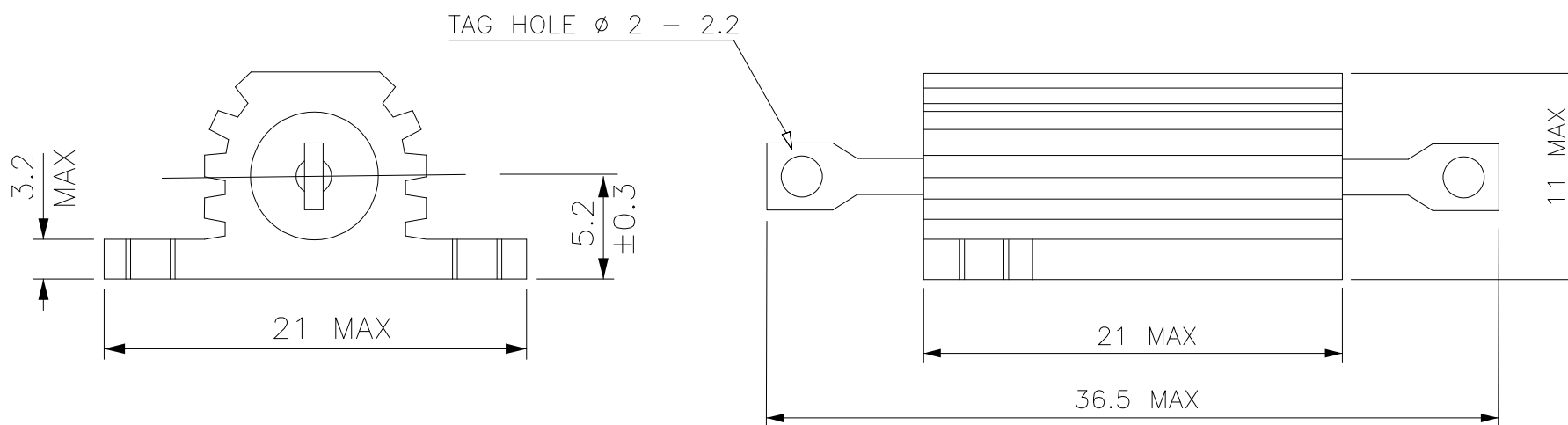
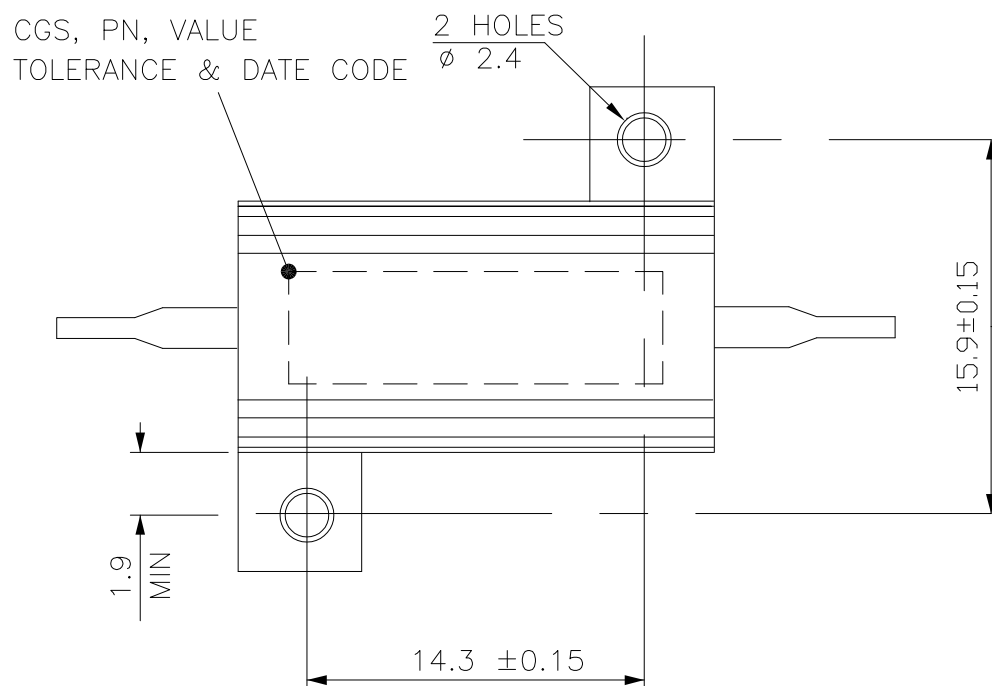
REVISIONS

P	LTR	DESCRIPTION	DATE	DWN	APVD
P		REVISED PER ECO-11-005150	21MAR11	RK	HMR

TECHNICAL SPECIFICATION


DISSIPATION AT 25°C	16 WATTS MOUNTED ON STANDARD HEATSINK
BS OHMIC RANGE	R01 TO 10K
STABILITY	$\Delta R \leq 1\%$ PER 1000HRS
ISOLATION VOLTAGE	1400V DC/AC PK
MAX WORKING VOLTAGE	265V DC/AC RMS
TEMP COEFFICIENT	<100R ± 50 ppm/°C >100R ± 30 ppm/°C
CLIMATIC CATEGORY	55/200/56

FOR FURTHER INFORMATION SEE DATA SHEET FOR THS SERIES ALUMINIUM HOUSED RESISTORS



FOR A SPECIFIC PN A RESISTANCE VALUE AND TOLERANCE, PLEASE REFER TO DMF.

RoHS Compliant

THIS DRAWING IS A CONTROLLED DOCUMENT.		DWN R BLANCH 19SEPT06	 TE Connectivity		
DIMENSIONS: mm		CHK J CATCHPOLE 19SEPT06			
TOLERANCES UNLESS OTHERWISE SPECIFIED:		APVD J CATCHPOLE 19SEPT06	PRODUCT SPEC		
0 PLC ± 0.5		APPLICATION SPEC		RESTRICTED TO	
1 PLC ± 0.2		-		SIZE A3	CAGE CODE 00779
2 PLC ± 0.1		-		DRAWING NO C-1879074	SCALE NTS
3 PLC $\pm -$		-		SHEET 1 OF 1	REV P
4 PLC $\pm -$		-		CUSTOMER DRAWING	
ANGLES $\pm 5^\circ$		WEIGHT -			
MATERIAL -		FINISH -			

X-ON Electronics

Largest Supplier of Electrical and Electronic Components

Click to view similar products for [Wirewound Resistors - Chassis Mount](#) category:

Click to view products by [TE Connectivity](#) manufacturer:

Other Similar products are found below :

[CS6600552K000B8768](#) [RER50F7R50RC02](#) [RER70F9R80RC02](#) [RER75F4991MC02](#) [2-1623821-6](#) [RBSA20008R800KGBLT](#)
[RER65F1R50PC02](#) [VK100NA-200](#) [VK100NA-50](#) [VK100NA-750](#) [40/70MJ2K00BE](#) [VP10FA-3K](#) [VP50KA-20K](#) [VPR10F-13.5K](#) [VPR10F-4.5K](#) [VPR10F-700](#) [VPR10F-7.5K](#) [VPR20H150](#) [VPR5F-22.5K](#) [VRH320 3K3 K](#) [RER75F1R00RC02](#) [RER70F27R4P](#) [VPR5F-600](#) [VPR5F250](#)
[VPR10F-8K](#) [VPR10F-6K](#) [VPR10F225](#) [VPR10F-1.75K](#) [VPR10F-1.25K](#) [VPR10F-125](#) [VPR10F10](#) [VP50KA-12K](#) [VP50KA-100K](#) [VP25KA-5000](#) [VK100NA250](#) [VK100NA-15](#) [VPR10F-8.5K](#) [VPR10F-0.4](#) [SL130J100K-12](#) [VPR10F-12.5K](#) [HSC1004R0F](#) [HSC1008R0F](#)
[GWK150J3309KLX000](#) [VRH320 100R K](#) [25WM110](#) [40/70MJ230R0HE](#) [VK200WA-300](#) [VPR20H-2K](#) [1-2176248-5](#) [C300KR75E](#)