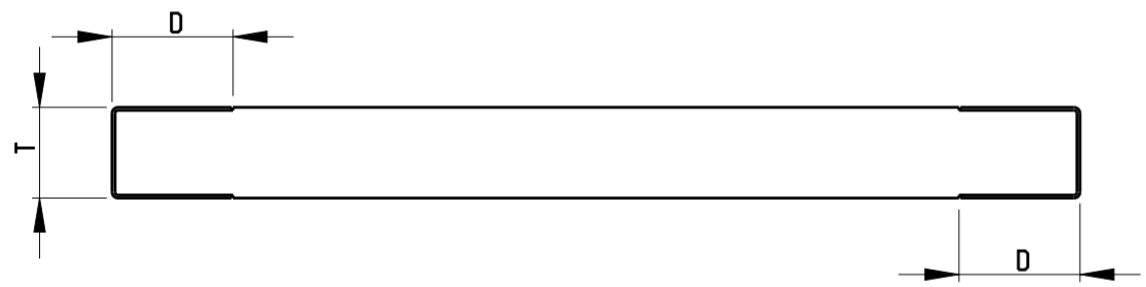
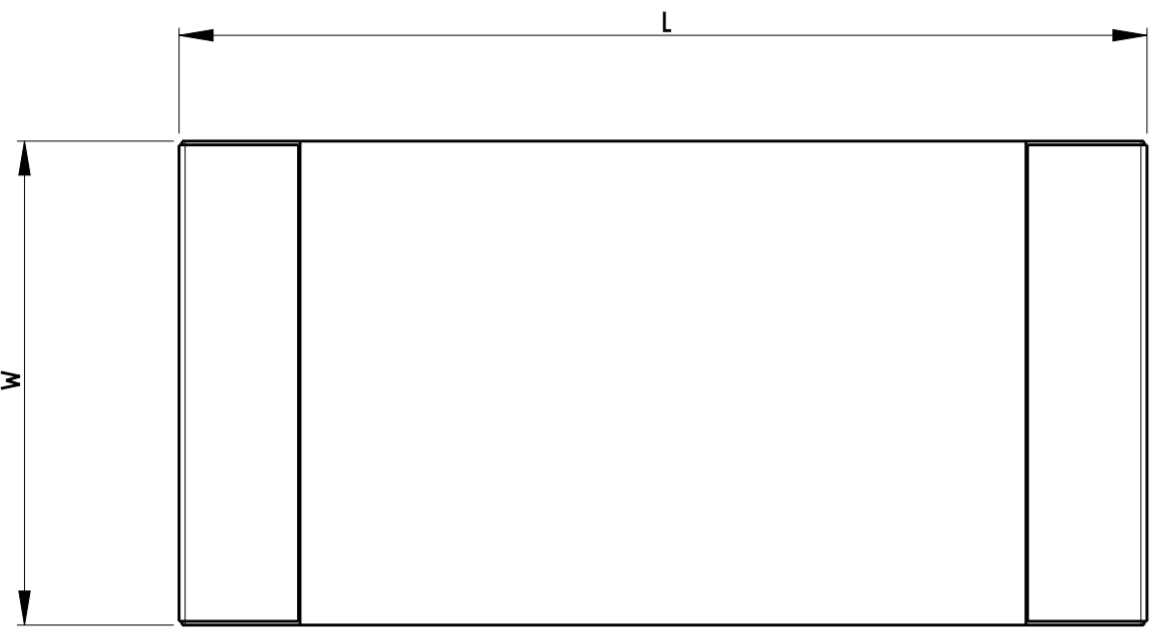


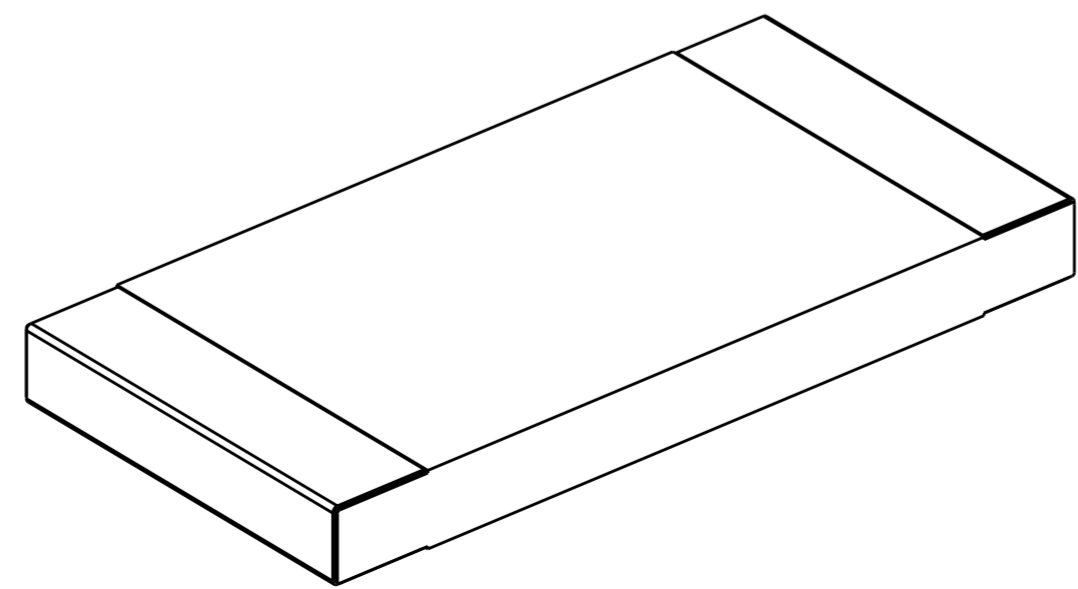
THIS DRAWING IS UNPUBLISHED. RELEASED FOR PUBLICATION 2008
 (C) COPYRIGHT 2008 ALL RIGHTS RESERVED.

REVISIONS					
P	LTR	DESCRIPTION	DATE	DWN	APVD
BA1	ECR-14-008096		30MAY2014	KR	TN
BA2	ECR-17-014659		05OCT2017	RK	TN
BA3	ECR-19-001041		24JAN2019	SR	AP
BA4	ECR-19-006706		30APR2019	SR	AP

FOR FURTHER INFORMATION SEE DATA SHEET FOR
 TLR SERIES-SMD HIGH POWER CURRENT SENSE RESISTORS



RoHS Compliant



Complete TIN	Product Number	Material Description	L	W	T	D	Weight / 1000	
SUPERSEDED BY 2176417-3	1879378-1	TLR3A10DR01FTDG	TLR3A 1.0W R01 1% 2K RL	6.35+/-0.254	3.18+/-0.254	0.25+/-0.20	1.30+/-0.38	25.97
	1879378-2	TLR3A30DR001FTDG	TLR3A 3.0W R001 1% 2K RL	6.35+/-0.25	3.00+/-0.20	0.60+/-0.20	1.93+/-0.25	59.13
	1879378-3	TLR3A30ER0005FTDG	TLR3A 3.0W R0005 1% 2K RL	6.35+/-0.25	3.00+/-0.20	0.60+/-0.20	2.68+/-0.25	59.13
OBSOLETE	1879378-5	TLR3A10DR000FTDG	TLR3A 1.0W R000 1% 2K RL	6.35+/-0.25	3.00+/-0.20	0.60+/-0.20	1.18+/-0.25	59.13
	1879378-7	TLR3A20DR0005FTDG	TLR3A 2.0W R0005 1% 2K RL	6.35+/-0.25	3.00+/-0.20	0.60+/-0.20	2.68+/-0.25	59.13
	1879378-8	TLR3A20DR00075FTDG	TLR3A 2.0W R00075 1% 2K RL	6.35+/-0.25	3.00+/-0.20	0.60+/-0.20	2.48+/-0.25	59.13
	1879378-9	TLR3A20DR001FTDG	TLR3A 2.0W R001 1% 2K RL	6.35+/-0.25	3.00+/-0.20	0.60+/-0.20	1.93+/-0.25	59.13
	1-1879378-0	TLR3A20DR0015FTDG	TLR3A 2.0W R0015 1% 2K RL	6.35+/-0.25	3.00+/-0.20	0.60+/-0.20	1.43+/-0.25	59.13
	1-1879378-1	TLR3A20DR002FTDG	TLR3A 2.0W R002 1% 2K RL	6.35+/-0.25	3.00+/-0.20	0.60+/-0.20	1.18+/-0.25	59.13
	1-1879378-2	TLR3A20KR003FTDG	TLR 2512 2.0W R003 1% 150PPM 2K RL	6.35+/-0.25	3.00+/-0.20	0.60+/-0.20	1.18+/-0.25	59.13
SUPERSEDED BY 2176421-7	1-1879378-3	TLR3A20ER004FTDG	TLR 2512 2.0W R004 1% 100PPM 2K RL	6.35+/-0.25	3.00+/-0.20	0.60+/-0.20	2.18+/-0.25	59.13
OBSOLETE	1-1879378-4	TLR3A20DR0045FTDG	TLR3A 2.0W R0045 1% 2K RL	6.35+/-0.25	3.00+/-0.20	0.60+/-0.20	2.18+/-0.25	59.13
SUPERSEDED BY 2176421-4	1-1879378-5	TLR3A20DR005FTDG	TLR3A 2.0W R005 1% 2K RL	6.35+/-0.25	3.00+/-0.20	0.60+/-0.20	1.93+/-0.25	59.13
SUPERSEDED BY 4-1879378-2	1-1879378-6	TLR3A20DR006FTDG	TLR3A 2.0W R006 1% 2K RL	6.35+/-0.25	3.00+/-0.20	0.60+/-0.20	1.93+/-0.25	59.13
SUPERSEDED BY 5-1879378-0	1-1879378-7	TLR3A20DR0065FTDG	TLR3A 2.0W R0065 1% 2K RL	6.35+/-0.25	3.00+/-0.20	0.60+/-0.20	1.43+/-0.25	59.13
SUPERSEDED BY 4-1879378-3	1-1879378-8	TLR3A20DR007FTDG	TLR3A 2.0W R007 1% 2K RL	6.35+/-0.25	3.00+/-0.20	0.60+/-0.20	1.43+/-0.25	59.13
SUPERSEDED BY 2176421-5	1-1879378-9	TLR3A20DR008FTDG	TLR3A 2.0W R008 1% 2K RL	6.35+/-0.25	3.00+/-0.20	0.60+/-0.20	1.18+/-0.25	59.13
SUPERSEDED BY 2176421-6	2-1879378-0	TLR3A20DR009FTDG	TLR3A 2.0W R009 1% 2K RL	6.35+/-0.25	3.00+/-0.20	0.60+/-0.20	1.18+/-0.25	59.13
SUPERSEDED BY 2176421-1	2-1879378-1	TLR3A20DR01FTDG	TLR3A 2.0W R01 1% 2K RL	6.35+/-0.25	3.00+/-0.20	0.60+/-0.20	1.18+/-0.25	59.13
	2-1879378-2	TLR3A30ER00075FTDG	TLR3A 3.0W R00075 1% 2K RL	6.35+/-0.25	3.00+/-0.20	0.60+/-0.20	2.48+/-0.25	59.13
	2-1879378-3	TLR3A30DR0015FTDG	TLR3A 3.0W R0015 1% 2K RL	6.35+/-0.25	3.00+/-0.20	0.60+/-0.20	1.43+/-0.25	59.13
	2-1879378-4	TLR3A30DR002FTDG	TLR3A 3.0W R002 1% 2K RL	6.35+/-0.25	3.00+/-0.20	0.60+/-0.20	1.18+/-0.25	59.13
SUPERSEDED BY 2176422-1	2-1879378-5	TLR3A30DR003FTDG	TLR3A 3.0W R003 1% 2K RL	6.35+/-0.25	3.00+/-0.20	0.60+/-0.20	1.18+/-0.25	59.13
	2-1879378-6	TLR3A10DR0005FTDG	TLR 2512 1.0W R0005 1% 50PPM 2K RL	6.35+/-0.254	3.18+/-0.254	1.25+/-0.20	1.30+/-0.38	181.1
	2-1879378-7	TLR3A10DR00075FTDG	TLR 2512 1.0W R00075 1% 50PPM 2K RL	6.35+/-0.254	3.18+/-0.254	0.75+/-0.20	1.30+/-0.38	127.06
	2-1879378-8	TLR3A10DR001FTDG	TLR 2512 1.0W R001 1% 50PPM 2K RL	6.35+/-0.254	3.18+/-0.254	0.65+/-0.20	1.30+/-0.38	108.81
	2-1879378-9	TLR3A10DR0015FTDG	TLR 2512 1.0W R0015 1% 50PPM 2K RL	6.35+/-0.254	3.18+/-0.254	0.45+/-0.20	1.30+/-0.38	63.92
	3-1879378-0	TLR3A10DR002FTDG	TLR 2512 1.0W R002 1% 50PPM 2K RL	6.35+/-0.254	3.18+/-0.254	0.35+/-0.20	1.30+/-0.38	46.92
	3-1879378-1	TLR3A10KR0025FTDG	TLR 2512 1.0W R0025 1% 150PPM 2K RL	6.35+/-0.254	3.18+/-0.254	0.65+/-0.20	1.30+/-0.38	97.95
	3-1879378-2	TLR3A10KR003FTDG	TLR 2512 1.0W R003 1% 150PPM 2K RL	6.35+/-0.254	3.18+/-0.254	0.55+/-0.20	1.30+/-0.38	83.49
	3-1879378-3	TLR3A10ER004FTDG	TLR 2512 1.0W R004 1% 100PPM 2K RL	6.35+/-0.254	3.18+/-0.254	0.45+/-0.20	1.30+/-0.38	62.59
	3-1879378-4	TLR3A10ER005FTDG	TLR 2512 1.0W R005 1% 100PPM 2K RL	6.35+/-0.254	3.18+/-0.254	0.35+/-0.20	1.30+/-0.38	49.84
	3-1879378-5	TLR3A10W R006FTDG	TLR 2512 1.0W R006 1% 75PPM 2K RL	6.35+/-0.254	3.18+/-0.254	0.32+/-0.20	1.30+/-0.38	41.76
	3-1879378-6	TLR3A10W R007FTDG	TLR 2512 1.0W R007 1% 75PPM 2K RL	6.35+/-0.254	3.18+/-0.254	0.27+/-0.20	1.30+/-0.38	34.01
	3-1879378-7	TLR3A10DR011FTDG	TLR 2512 1.0W R011 1% 50PPM 2K RL	6.35+/-0.25	3.00+/-0.20	0.60+/-0.20	1.18+/-0.25	59.13
SUPERSEDED BY 2176417-9	3-1879378-8	TLR3A10DR012FTDG	TLR 2512 1.0W R012 1% 50PPM 2K RL	6.35+/-0.25	3.00+/-0.20	0.60+/-0.20	1.18+/-0.25	59.13
SUPERSEDED BY 1-2176417-0	3-1879378-9	TLR3A10DR013FTDG	TLR 2512 1.0W R013 1% 50PPM 2K RL	6.35+/-0.25	3.00+/-0.20	0.60+/-0.20	1.18+/-0.25	59.13
SUPERSEDED BY 1-2176417-1	4-1879378-0	TLR3A10DR015FTDG	TLR 2512 1.0W R015 1% 50PPM 2K RL	6.35+/-0.25	3.00+/-0.20	0.60+/-0.20	1.18+/-0.25	59.13
	4-1879378-1	TLR3A20KR0025FTDG	TLR 2512 2.0W R0025 1% 150PPM 2K RL	6.35+/-0.254	3.18+/-0.254	0.65+/-0.20	1.30+/-0.38	97.95
	4-1879378-2	TLR3A20W R006FTDG	TLR 2512 2.0W R006 1% 75PPM 2K RL	6.35+/-0.254	3.18+/-0.254	0.32+/-0.20	1.30+/-0.38	41.76
	4-1879378-3	TLR3A20W R007FTDG	TLR 2512 2.0W R007 1% 75PPM 2K RL	6.35+/-0.254	3.18+/-0.254	0.27+/-0.20	1.30+/-0.38	34.01
	4-1879378-4	TLR3A20ER010FTDG	TLR 2512 2.0W R010 1% 100PPM 2K RL	6.35+/-0.254	3.18+/-0.254	0.25+/-0.20	1.30+/-0.38	25.97
	4-1879378-5	TLR3A25DR004FTDG	TLR 2512 2.5W R004 1% 50PPM 2K RL	6.35+/-0.25	3.00+/-0.20	0.60+/-0.20	2.18+/-0.25	59.13
OBSOLETE	4-1879378-6	TLR3A25DR005FTDG	TLR 2512 2.5W R005 1% 50PPM 2K RL	6.35+/-0.25	3.00+/-0.20	0.60+/-0.20	1.93+/-0.25	59.13
	4-1879378-7	TLR3A25DR006FTDG	TLR 2512 2.5W R006 1% 50PPM 2K RL	6.35+/-0.25	3.00+/-0.20	0.60+/-0.20	1.93+/-0.25	59.13
	4-1879378-8	TLR3A30DR002FTDG20K	TLR3A 3.0W R002 1% 2K RL 20K MOQ	6.35+/-0.25	3.00+/-0.20	0.60+/-0.20	1.18+/-0.25	59.13
	4-1879378-9	TLR3A30DR0005FTDGV	TLR3A 3.0W R0005 1% 50PPM 2K RL 500K MOQ	6.35+/-0.254	3.18+/-0.254	1.25+/-0.20	1.30+/-0.38	184.11
	5-1879378-0	TLR3A20W R0065FTDG	TLR 2512 2.0W R0065 1% 75PPM 2K RL	6.35+/-0.254	3.18+/-0.254	0.30+/-0.20	1.30+/-0.38	35.85

THIS DRAWING IS A CONTROLLED DOCUMENT.

DWN PRASAD K 14SEP2011
 CHK A. PILE 14SEP2011
 APVD J. CATCHPOLE 14SEP2011

TE Connectivity

SMD HIGH POWER - CURRENT SENSE RESISTORS, SERIES TLR - 3A

SIZE A2 CAGE CODE 00779 DRAWING NO C-1879378 RESTRICTED TO -

Customer Drawing SCALE 10:1 SHEET 1 OF 1 REV BA4

X-ON Electronics

Largest Supplier of Electrical and Electronic Components

Click to view similar products for [Current Sense Resistors - SMD category](#):

Click to view products by [TE Connectivity manufacturer](#):

Other Similar products are found below :

[5112](#) [65709-330JE](#) [PF2512FKF7W0R007L](#) [PR2512FKF7W0R003L](#) [PR2512FKF7W0R005L](#) [RCWL0603R500JNEA](#) [ERJ-3BQF1R1V](#) [ERJ-L14UJ42MU](#) [2-2176088-5](#) [PF2512FKF7W0R006L](#) [PF2512FKF7W0R033L](#) [2-2176089-4](#) [CD2015FC-0.10-1%](#) [PR2512FKF7W0R004L](#) [CGSSL1R01J](#) [CGSSL1R047J](#) [RC1005F124CS](#) [RCWE2512R110FKEA](#) [RCWL0805R330JNEA](#) [RL73H3AR47FTE](#) [RL73K3AR56JTDF](#) [RL7520WT-R001-F](#) [RL7520WT-R009-G](#) [RL7520WT-R020-F](#) [RLP73N1ER43JTD](#) [TL3AR01FTDG](#) [TLR3A20DR0005FTDG](#) [LRC-LR2512LF-01-R820J](#) [ERJ-3BQF4R3V](#) [ERJ-L14UF68MU](#) [TLR3A20DR001FTDG](#) [TLR3A30ER0005FTDG](#) [WR06X104JGLJ](#) [RLP73K1ER82JTD](#) [TL2BR01F](#) [TLR3A20DR01FTDG](#) [WSR3R0600FEA32](#) [ERJ-14BQF1R6U](#) [ERJ-14BQJR30U](#) [SP1220RJT](#) [SP1R12J](#) [ERJ-14BQF6R2U](#) [RL7520WT-R039-G](#) [PF1206FRF7W0R02L](#) [RL7520WT-R002-F](#) [RL7520WT-R047-F](#) [RLP73N2BR068FTDF](#) [RL7520WT-R005-F](#) [RCWE2512R220FKEA](#) [RCWE120625L0FMEA](#)